

TVS

FLAME

PARTS CATALOGUE

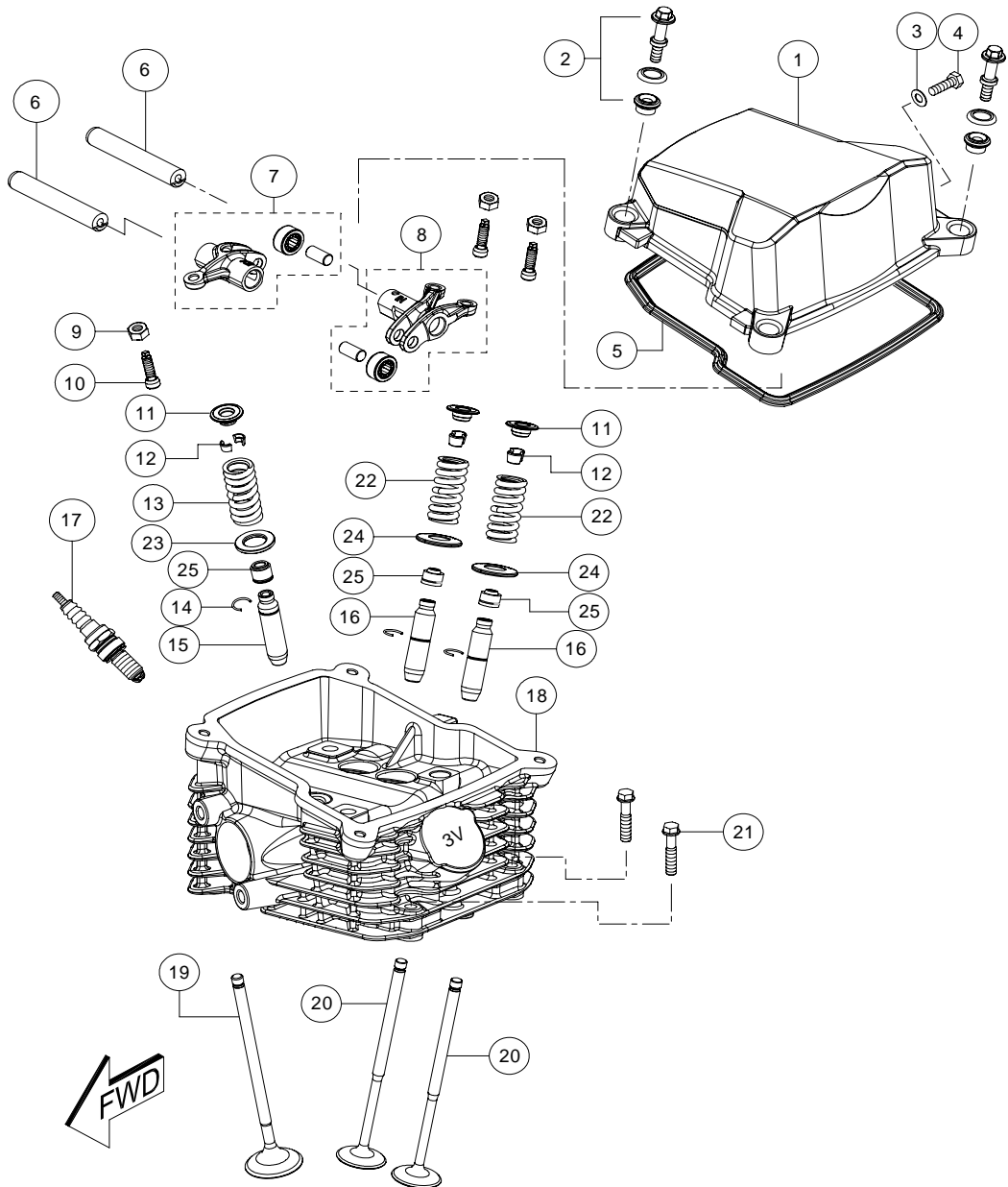


TVS MOTOR COMPANY

DATE : 25.08.2009

FIG.No. 01

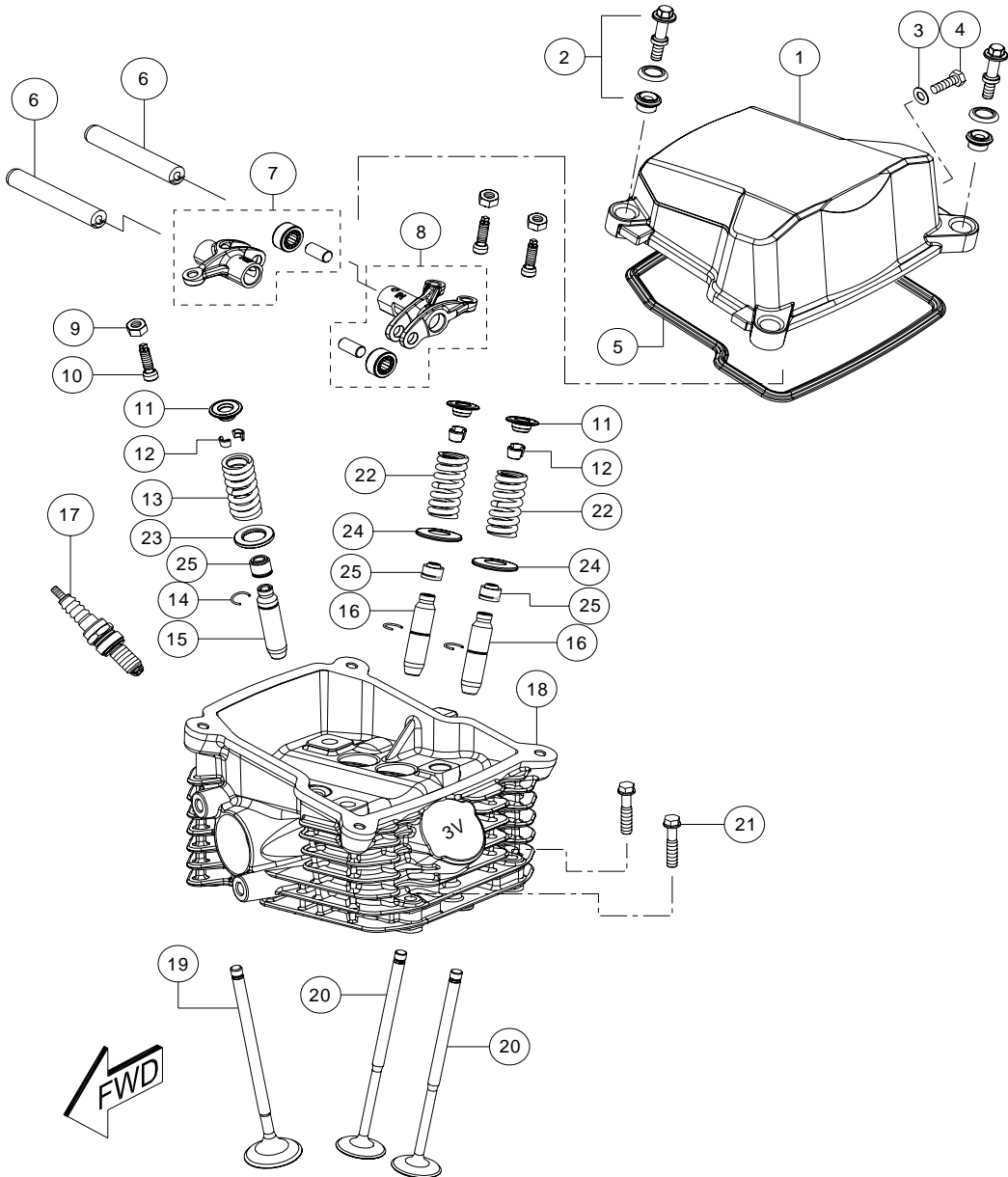
CYLINDER HEAD ASSEMBLY



SLNo.	PART No.	DESCRIPTION	NO.OFF		REMARKS
			FLAME	FLAME SR125	
1	N40104507D	COVER CYLINDER HEAD	1	1	
2	N4010480	SCREW ASSY.COVER CYL.HEAD	4	4	
3	N2081600	GASKET OIL GALLERY PLUG	1	1	
4	N2200480	HEX FL. BOLT M10x12	1	1	
5	N4010470	GASKET COVER CYL. HEAD	1	1	
6	N4010340	SHAFT VALVE ROCKER ARM	2	2	
7	N4011370	ROCKER ARM ASSY. EXHAUST	1	1	
8	N4011350	ROCKER ARM ASSY. INTAKE	1	1	
9	N4010670	NUT TAPPET ADJUSTING M6	3	3	
10	N4010680	SCREW TAPPET ADJUSTING	3	3	
11	N4010310	RETAINER VALVE SPRING	3	3	
12	S1010320	COTTER VALVE	6	6	
13	N4010300	SPRING VALVE EXHAUST	1	1	
14	M1010070	RING VALVE GUIDE SNAP	3	3	
15	N4011440	GUIDE VALVE EXHAUST	1	1	
16	N4011450	GUIDE VALVE INTAKE	2	2	
17	N4011630	SPARK PLUG	1	1	
18	N4010860	HEAD COMP CYLINDER	1	1	
19	N4010290	VALVE EXHAUST	1	1	
20	N4010280	VALVE INTAKE	2	2	
21	M1200470	HEX FLANGE BOLT M6x30	2	2	
22	N4011720	SPRING VALVE INTAKE	2	2	
23	N4011439	VALVE SEAT SPRING EXHAUST	1	1	

FIG.No. 01

CYLINDER HEAD ASSEMBLY

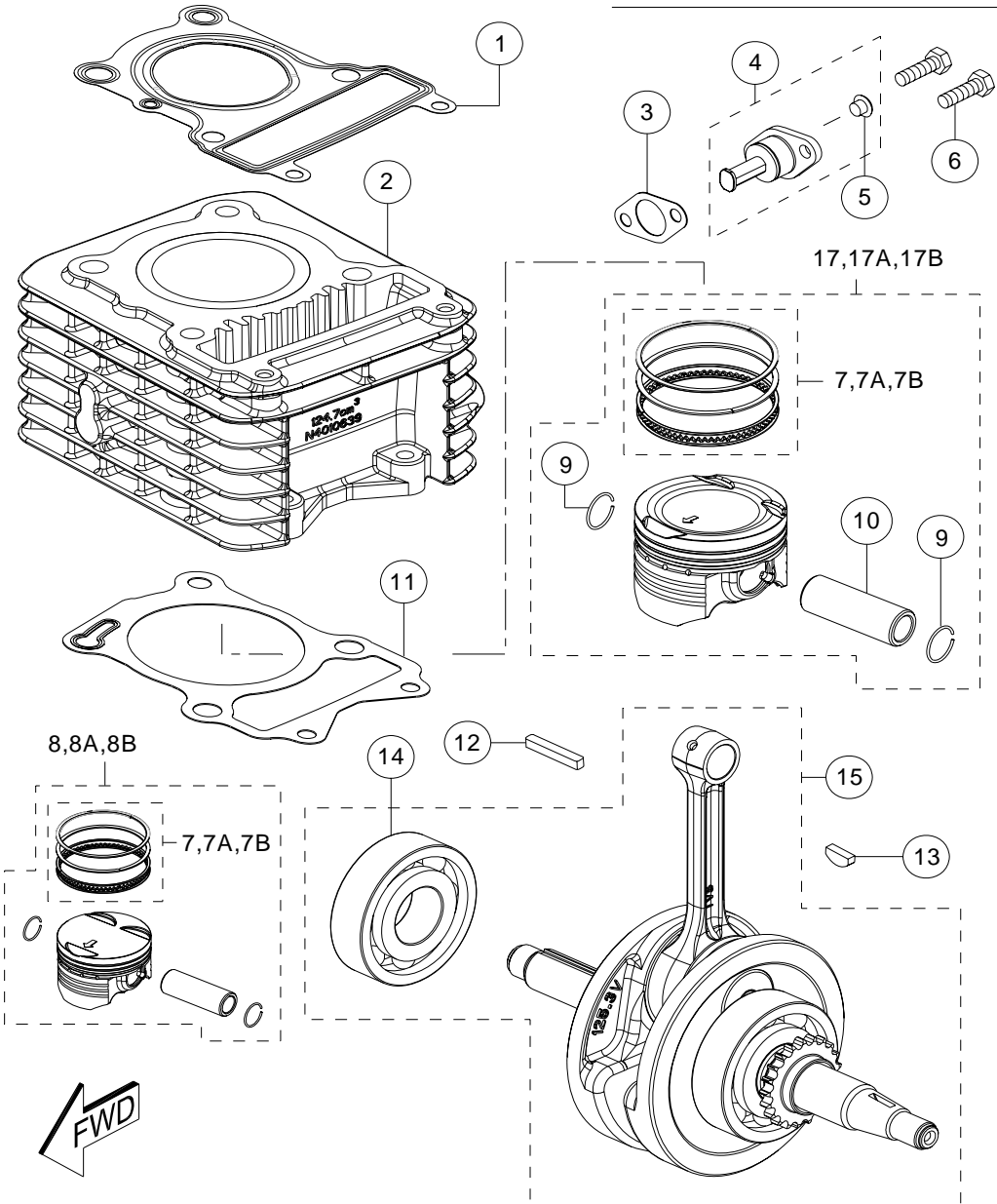


SLNo.	PART No.	DESCRIPTION	NO.OFF		REMARKS
			FLAME	FLAME SR SR 125	
24	N4011770	SLEEVE SEAT SPRING INTAKE	2	2	
25	M1010620	SEAL VALVE STEM OIL	3	3	
26	N4011820	CYLINDER HEAD ASSY.	1	1	N.I
27	N4320230	VALVE KIT ENGINE	1	1	**
28	N4320320	O RING KIT ENGINE	1	1	"
29	N4320260	OIL SEAL KIT	1	1	"

** - REFER KIT & KIT CONTENTS

FIG.No. 03

CYLINDER BLOCK & PISTON ASSY.

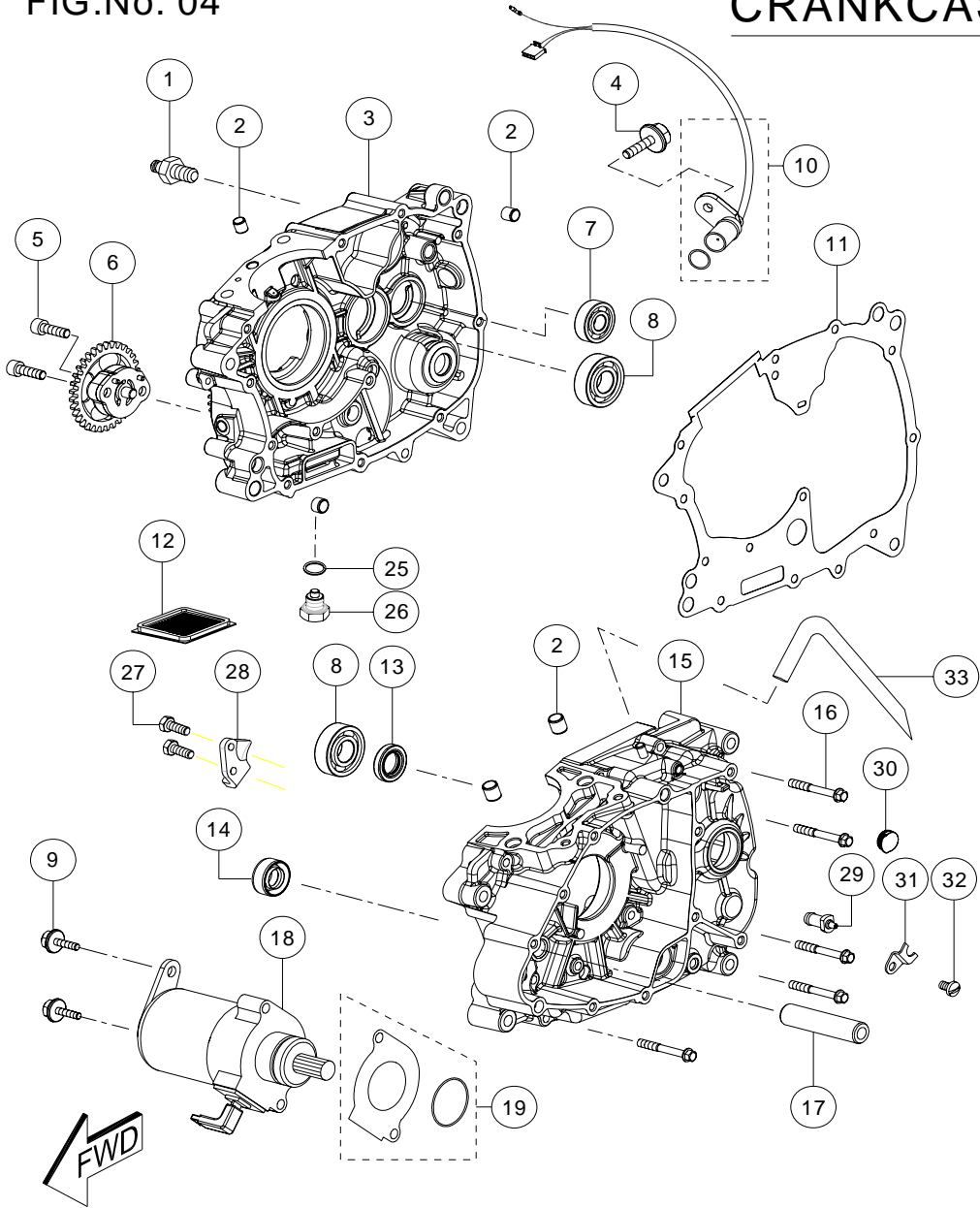


SLNo.	PART No.	DESCRIPTION	NO.OFF		REMARKS
			FLAME	FLAME SR125	
1	N4010650	GASKET CYLINDER HEAD	1	1	
2	N40106407D	CYLINDER COMP.	1	1	
3	N3011600	GASKET TENSIONER ADJ.	1	1	
4	N3011370	ADJUSTER TENSIONER	1	1	
5	N3011670	PLUG ADJUSTER TENSIONER	1	1	
6	M1200610	HEX SCREW M6x20	2	2	
7	N9320390	RING SET STD - DIA 54.5	1	1	**
7A	N9320320	RING SET I O/S - DIA 54.75	1	1	**
7B	N9320330	RING SET II O/S - DIA 55	1	1	**
8	N4020380	PISTON KIT STD - DIA 54.5	1		**
8A	N4020390	PISTON KIT I O/S - DIA 54.75	1		**
8B	N4020400	PISTON KIT II O/S - DIA 55	1		**
9	M1010440	CIRCLIP 17x1.0	2	2	
10	M1010130	PIN PISTON	1	1	
11	N4010660	GASKET CYLINDER	1	1	
12	N4080290	PARALLEL KEY B4x4x38	1	1	
13	420702000	WOODRUFF KEY	1	1	
14	R1200120	BALL BEARING 25x62x17	1	1	
15	N4020160	CRANKSHAFT ASSY.	1	1	
16	N4320220	CYLINDER BLOCK & PISTON KIT	1		**
16A	N4321190	CYLINDER BLOCK & PISTON KIT		1	**
17	N4321150	PISTON KIT STD - DIA 54.5		1	

** - REF KIT & KIT CONTENTS

FIG.No. 04

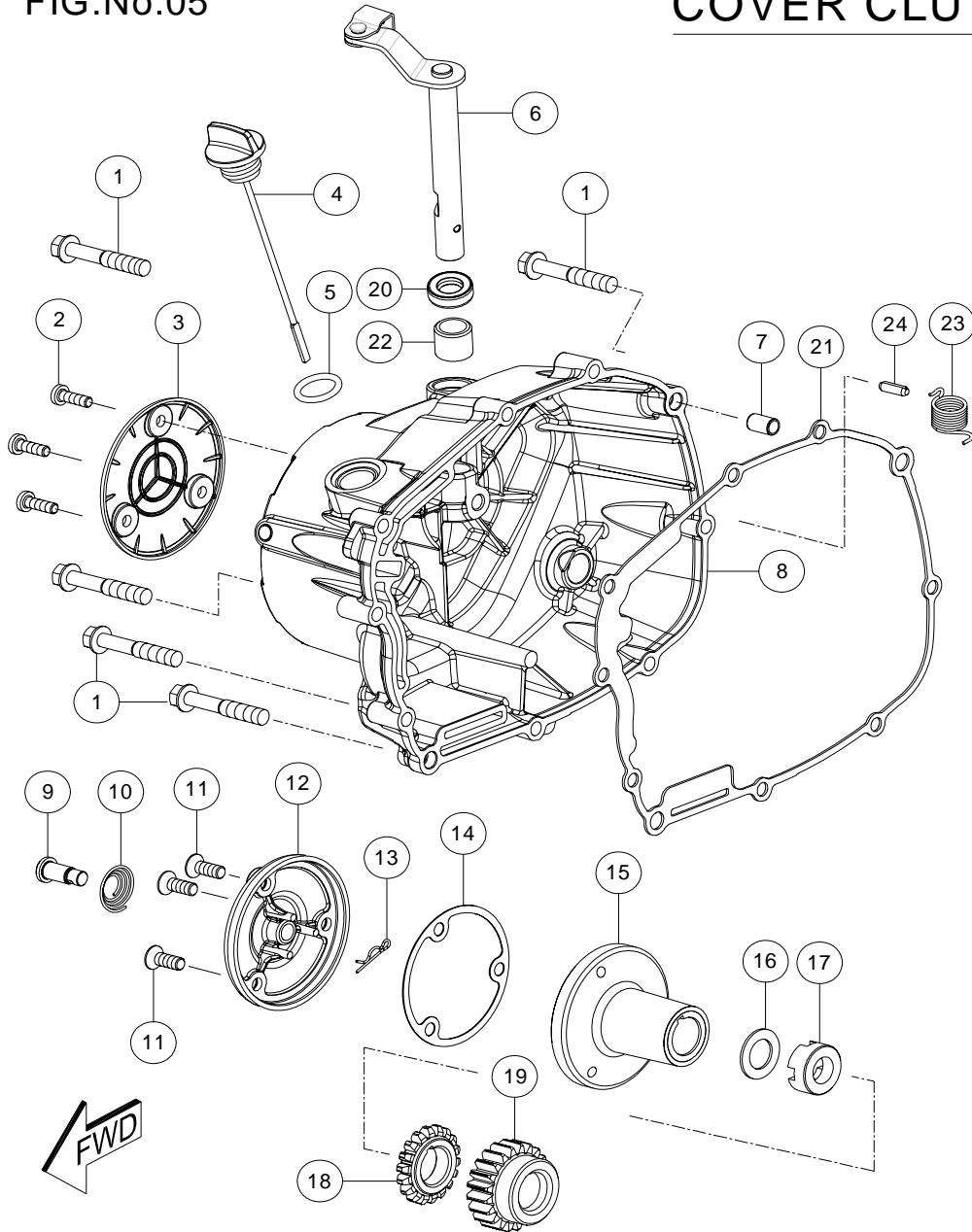
CRANKCASE ASSEMBLY



SLNo.	PART No.	DESCRIPTION	NO.OFF		REMARKS
			FLAME	FLAME SR125	
1	N5080920	HOOK SPRING GEAR SH. CAM	1	1	
2	S1200270	TUBULAR DOWEL	4	4	
3	N4030930	CRANKCASE ASSY. RH	1	1	
4	N5200500	HEX FLANGE SCREW M6x16	1	1	
5	N2200470	HEX SOC.HEAD CAP SCR. M6x25	2	2	
6	N4080280	PUMP ASSY. OIL	1	1	
7	420602000	BALL BEARING 12x32x10	1	1	
8	N2200150	BALL BEARING 17x40x12	2	2	
9	M1200520	HEX FLANGE BOLT M6x16	2	2	
10	N4060070	SPEED CUM THERMAL SENSOR	1	1	
11	N4030900	GASKET CRANKCASE	1	1	
12	N5080460	OIL FILTER	1	1	
13	T4080540	OIL SEAL	1	1	
14	N2081720	OIL SEAL GEAR SHIFT SHAFT	1	1	
15	N4030920	CRANKCASE ASSY. LH	1	1	
16	N2200450	HEX FL.BOLT M6x50 (CRANK L&R)	5	5	
17	M1080430	PIN MAGNETO COVER	1	1	
18	N4060080	MOTOR ASSY. STARTER	1	1	
19	N4320740	O RING & GASKET	1	1	
20	N4320700	BRUSH BOX & SCREW ASSY.	1	1	N.I
21	N4320710	COMMUTATOR ASSY.	1	1	"
22	N4320720	YOKE ASSY.	1	1	"
23	N4320730	KIT BRUSH WITH SPRING	1	1	"

FIG.No.05

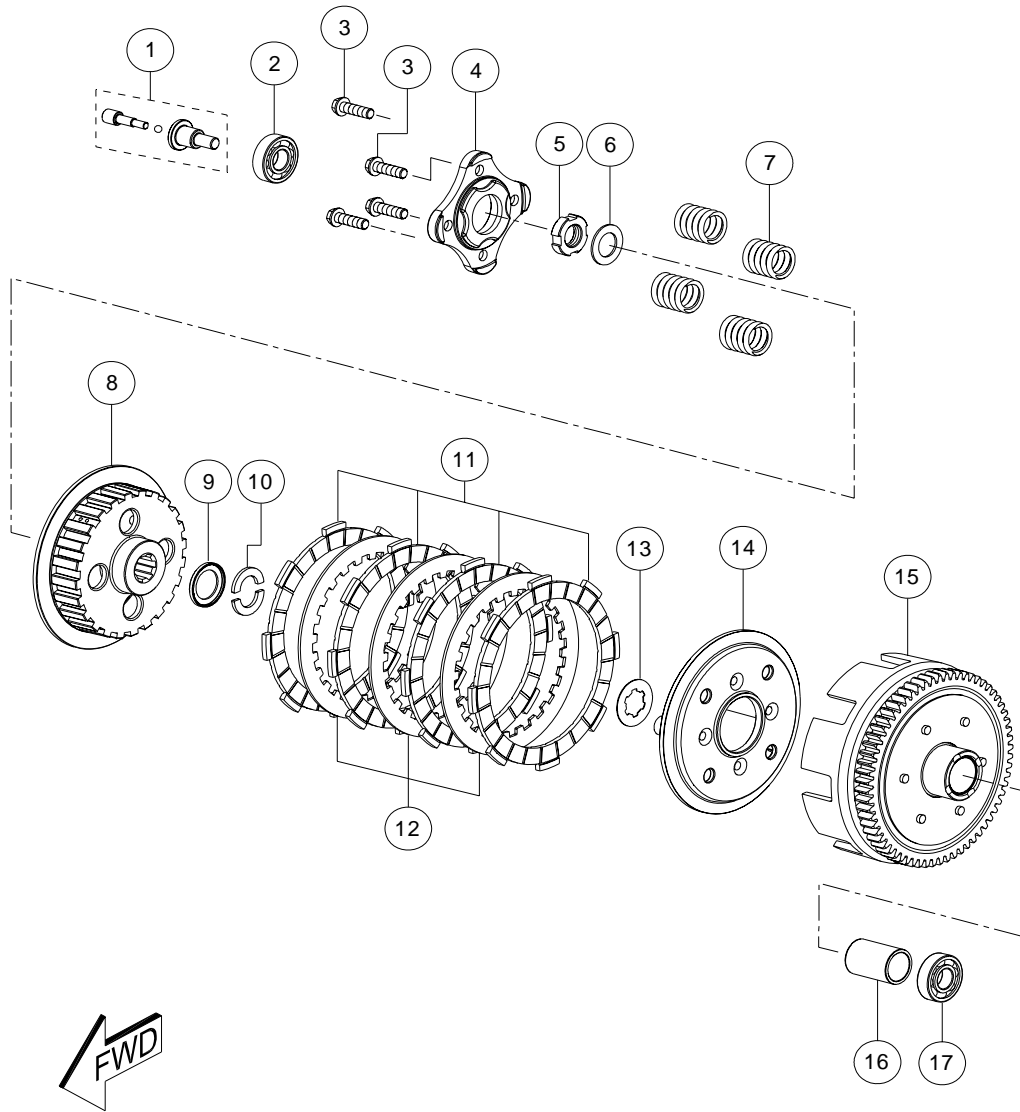
COVER CLUTCH ASSEMBLY



SLNo.	PART No.	DESCRIPTION	NO.OFF		REMARKS
			FLAME	FLAME SR125	
1	N5200170	HEX FLANGE BOLT M6x35	10	10	
2	N4200070	CRR PAN HD SCREW M5x12	3	3	
3	N4030410	LOGO COVER	1	1	
4	N1080110	GUAGE OIL LEVEL	1	1	
5	S1200860	O RING	1	1	
6	M7070350	ROD COMP. CLUTCH RELEASE	1	1	
7	S1200270	TUBULAR DOWEL 11x12	2	2	
8	N4030460	COVER CLUTCH	1	1	
9	N5081240	PIPE CENTRIFUGAL FILTER	1	1	
10	N5081230	SPRING CENTRIFUGAL FILTER	1	1	
11	0332228	CRR CSK HD SCREW M6x16	1	1	
12	N5081200	COVER CENTRIFUGAL FILTER	1	1	
13	N5081250	CLIP DIA 7	1	1	
14	N5081220	GASKET CENTRIFUGAL FILTER	1	1	
15	N5081170	BODY CENTRIFUGAL FILTER	1	1	
16	N5070110	SPRING DISC	1	1	
17	N5200710	NUT CRANKSHAFT RH	1	1	
18	N4080220	GEAR OIL PUMP DRIVE	1	1	
19	N4080300	GEAR PRIMARY DRIVE	1	1	
20	M7200490	OIL SEAL 12x18x4	1	1	
21	N4030360	GASKET COVER CLUTCH	1	1	
22	M7200510	BEARING BUSH 12x15x10	1	1	
23	M7070380	SPRING CLUTCH CABLE RETURN	1	1	
24	M7200500	SPRING DOWEL	1	1	

FIG.No. 06

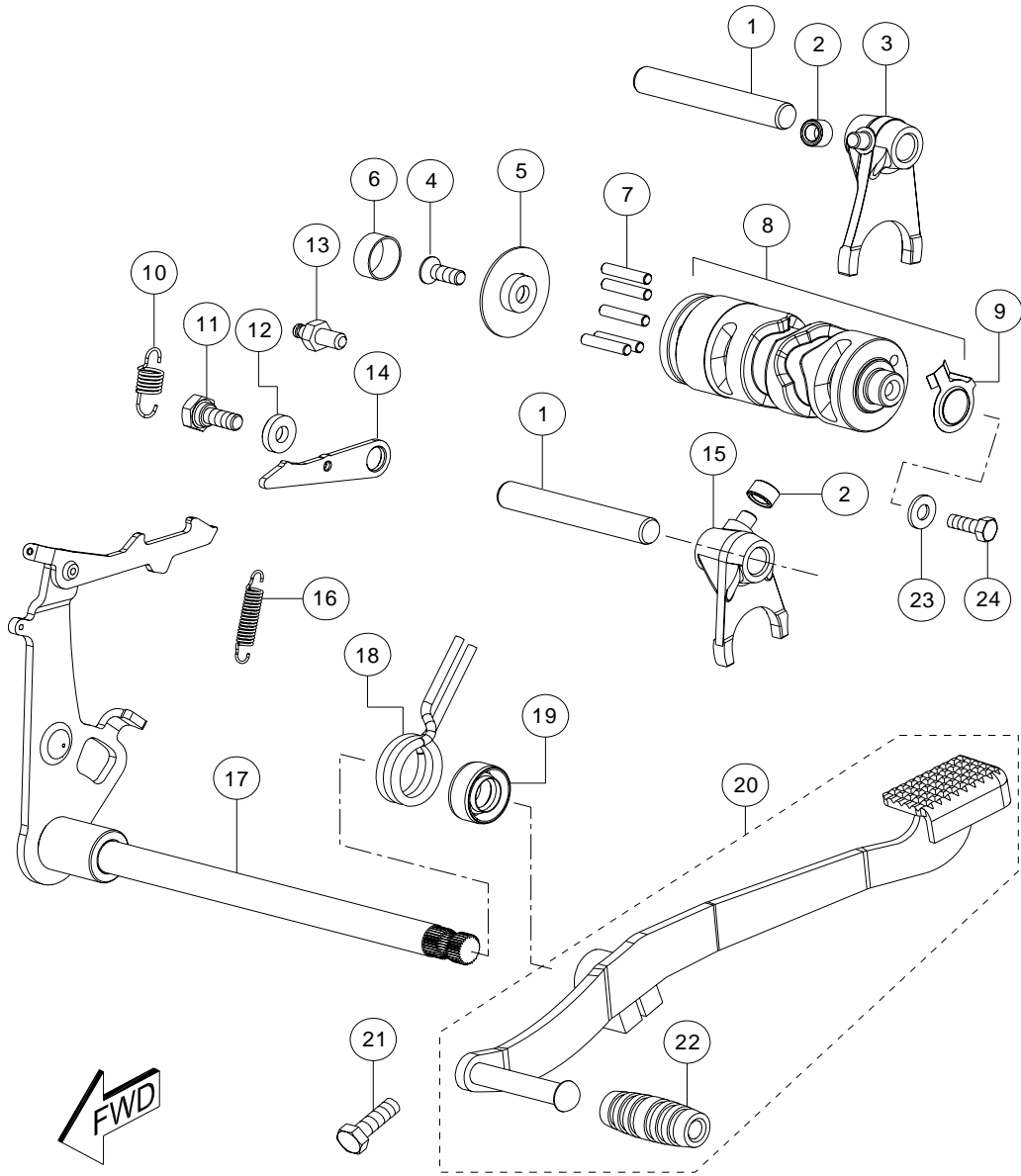
CLUTCH ASSEMBLY



SLNo.	PART No.	DESCRIPTION	NO.OFF		REMARKS
			FLAME	FLAME SR125	
1	N5070240	PIN ASSY. CLUTCH RELEASE	1	1	
2	N2200400	BALL BEARING 12x28x8	1	1	
3	M1200530	HEX FL. BOLT M6x20	4	4	
4	N2070360	PLATE CLUTCH RELEASE	1	1	
5	N5070100	NUT CLUTCH SHAFT	1	1	
6	N5070110	SPRING DISC	1	1	
7	N1070010	SPRING CLUTCH	4		
7A	M7070440	SPRING CLUTCH		4	
8	N8070230	HUB CLUTCH	1	1	
9	N5200040	CUP WASHER	1	1	
10	N5200030	SPLIT WASHER	2	2	
11	N4320270	SET PLATE CLUTCH DRIVE (4 Nos)	1	1	
12	N4320280	SET PLATE CLUTCH DRIVEN (3Nos)	1	1	METAL
13	N5200020	SHIM	1	1	
14	N2070200	DISC CLUTCH PRESSURE	1	1	
15	N4070200	GEAR ASSY. PRIMARY DRIVEN	1	1	
16	N5070080	SPACER CLUTCH	1	1	
17	N2200150	BALL BEARING 17x40x12	1	1	

FIG.No.07

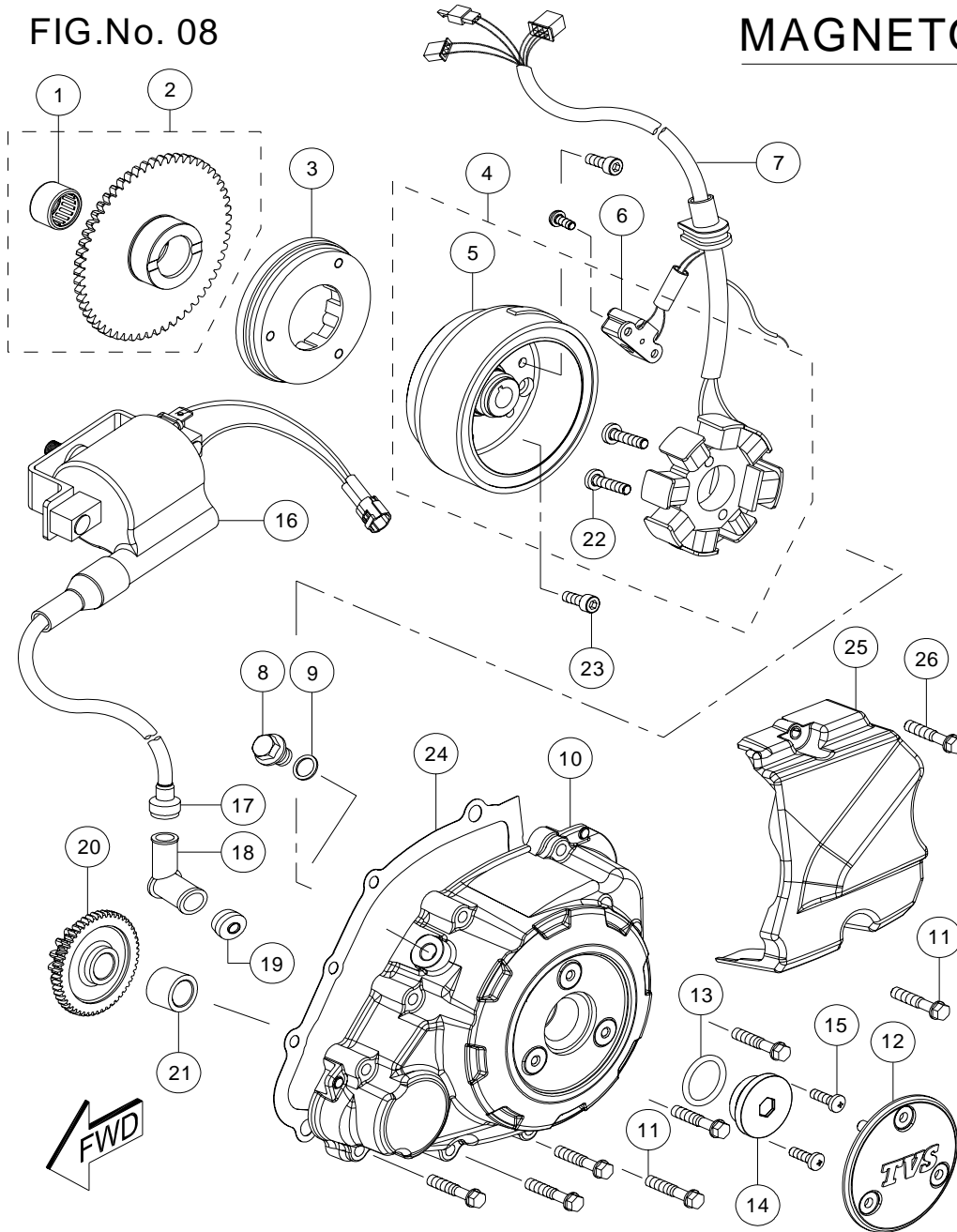
GEAR SHIFT ASSEMBLY



SLNo.	PART No.	DESCRIPTION	NO.OFF		REMARKS
			FLAME	FLAME SR	
1	N5080270	SHAFT SHIFT FORK	2	2	
2	N2081570	SPACER ROLLER G. S FORK PIN	2	2	
3	N5080280	FORK GEAR SHIFT LOW SPEED	1	1	
4	0332228	REC CSK HD SCREW M6x16	1	1	
5	3040013	RETAINER GS CAM COMP	1	1	
6	M7081870	BEARING BUSH CAM GEAR SHIFT	1	1	
7	3044034	ROLLER GEAR SHIFT CAM	5	5	
8	N5081010	CAM COMP. GEAR SHIFT	1	1	
9	N5080620	CONTACT GEAR SHIFT SWITCH	1	1	
10	N5080930	SPRING GEAR SHIFT CAM STOP.	1	1	
11	0331320	BOLT GEAR SHIFT CAM STOPPER	1	1	
12	8200300	WASHER	1	1	
13	N5080920	HOOK SPRING G.S CAM STOPPER	1	1	
14	N5080910	STOPPER GEAR SHIFT CAM	1	1	
15	N5080290	FORK GEAR SHIFT HIGH SPEED	1	1	
16	N2081170	SPRING SHAFT SHIFT RETURN	1	1	
17	N8080530	SHAFT COMP. GEAR SHIFT	1	1	
18	N2080500	SPRING GEAR SHIFT PAWL	1	1	
19	N2081720	OIL SEAL GEAR SHIFT SHAFT	1	1	
20	N4080250	LEVER ASSY. GEAR SHIFT	1	1	
21	420462700	HEX SCREW M6x20	1	1	
22	N2081740	RUBBER GEAR SHIFT PEDAL	1	1	
23	N5080940	WASHER 6.5x18x1.6	1	1	
24	420452700	HEX SCREW M6x12	1	1	

FIG.No. 08

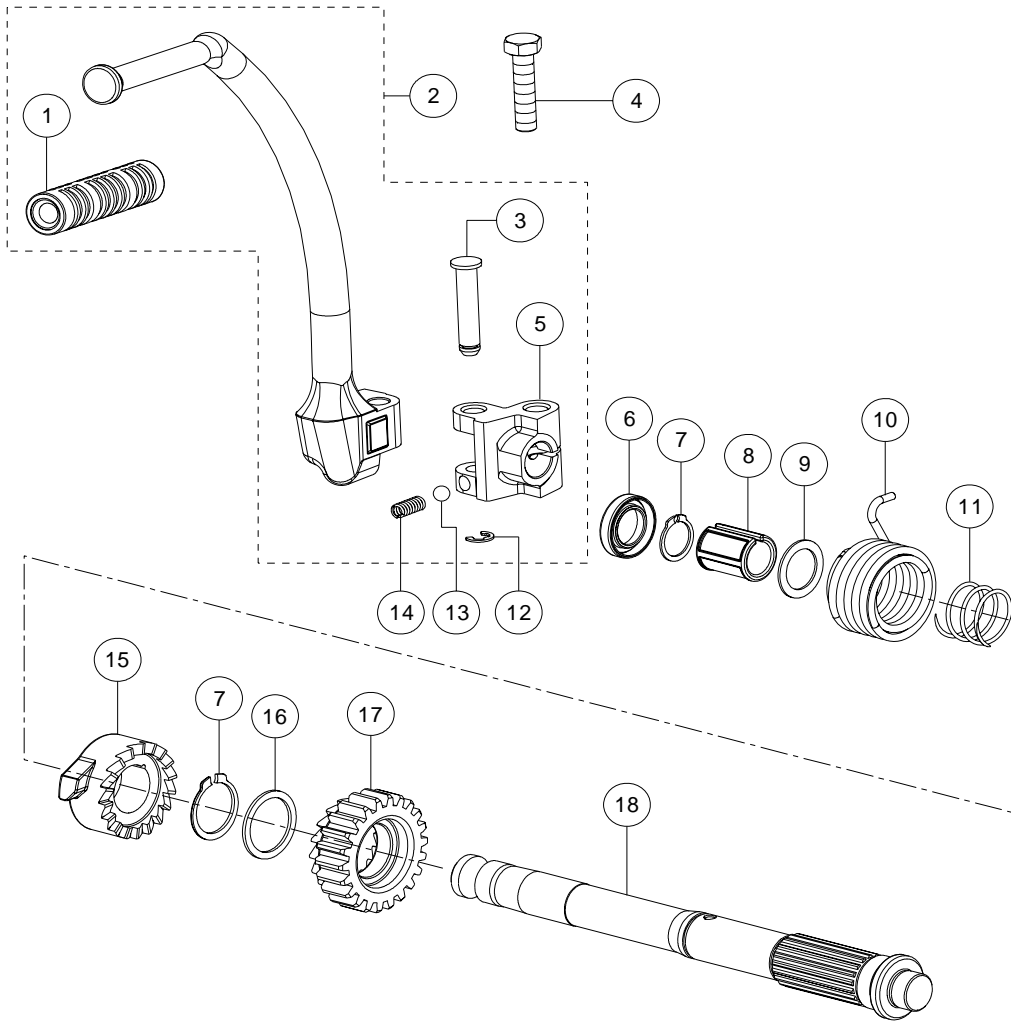
MAGNETO ASSEMBLY



SLNo.	PART No.	DESCRIPTION	NO.OFF		REMARKS
			FLAME	FLAME SR125	
1	R1200090	NEEDLE ROLL. BEARING 20x26x16	1	1	
2	R1080990	GEAR COMP. STARTER CLUTCH	1	1	
3	R1060110	ONE WAY CLUTCH	1	1	
4	N4060050	MAGNETO ASSY.	1	1	
5	N4320800	ROTOR ASSY.	1	1	
6	N9060320	PULSAR COIL	1	1	
7	N4320790	STATOR ASSY.	1	1	
8	N2200480	PLUG TDC	1	1	
9	N2081600	GASKET OIL GALLERY PLUG	1	1	
10	N4030890	COVER MAGNETO	1	1	
11	M1200470	HEX BOLT M6x30	9	9	
12	N4030410	LOGO COVER	1	1	
13	M1080450	O RING 22.7x3.1	1	1	
14	N2081610	PLUG CRANKSHAFT HOLE	1	1	
15	N4200070	CRR PAN HD SCREW M5x10	3	3	
16	N4060210	IGNITION COIL	1	1	
17	R1060200	SEAL HT CORD	1	1	
18	N3060150	SUPPRESSOR CAP ASSY.	1	1	
19	M1060110	SEAL SPARK PLUG	1	1	
20	R1080550	GEAR STARTER IDLE	1	1	
21	M1080490	SPACER STARTER IDLER GEAR	1	1	
22	M1200820	CRR PAN HEAD SCREW M6x25	2	2	
23	M2200010	HEX SOCKET HEAD CAP SCR. M6	3	3	

FIG.No. 09

KICKSTARTER ASSEMBLY

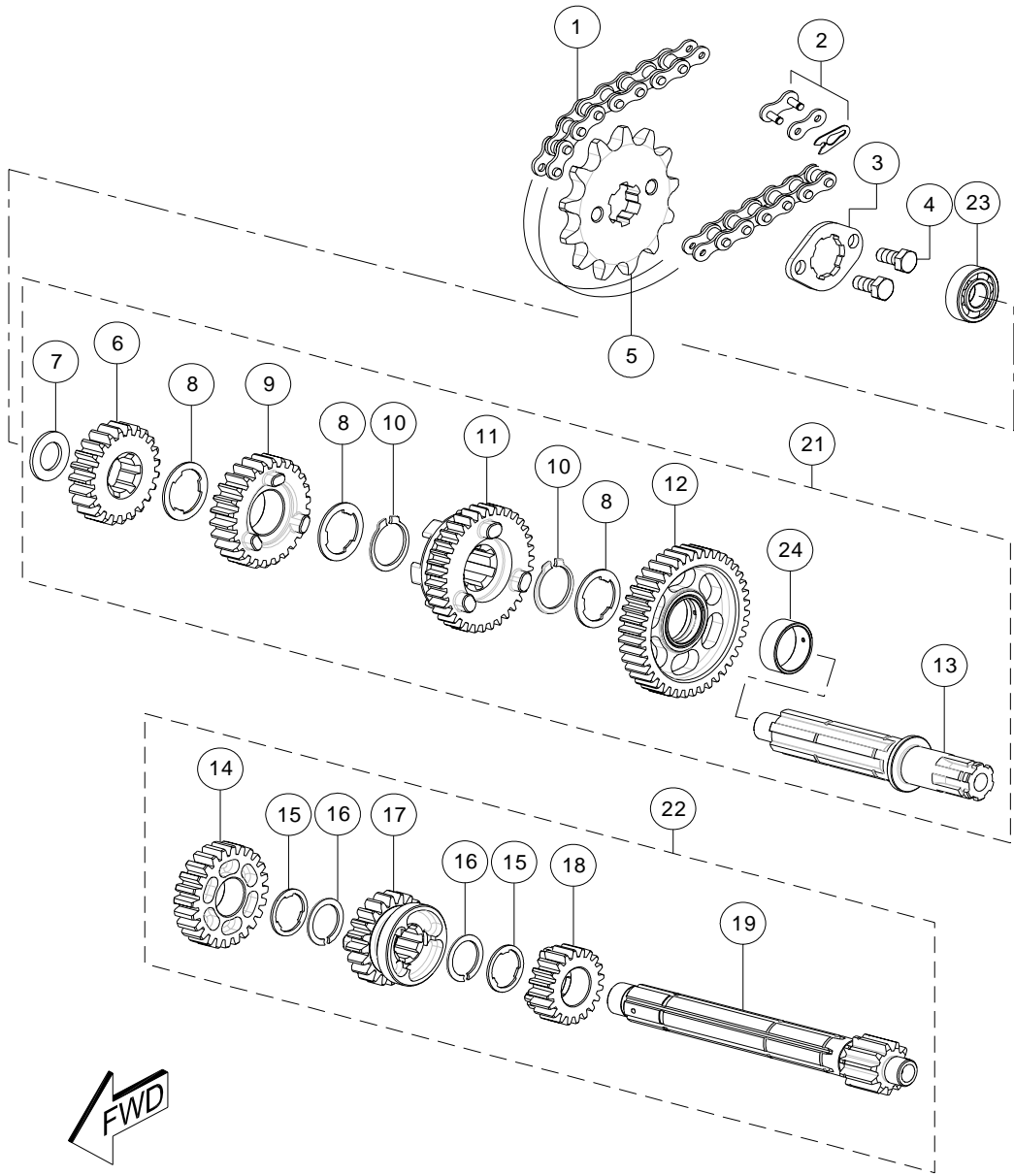


SLNo.	PART No.	DESCRIPTION	NO.OFF		REMARKS
			FLAME	FLAME SR125	
1	N2081470	RUBBER KICKSTARTER	1	1	
2	N4080190	LEVER ASSY. KICKSTARTER	1	1	
3	N2081450	PIN KICKSTARTER LEVER	1	1	
4	S1101250	HEX BOLT M8x35	1	1	
5	N4080200	JOINT KICKSTARTER	1	1	
6	S1200490	OIL SEAL KS SHAFT	1	1	
7	0330174	CIRCLIP	2	2	
8	N5081280	GUIDE KICKSTARTER	1	1	
9	0335024	SHIM 17x24x1	1	1	
10	N5081370	SPRING KICKSTARTER	1	1	
11	N5081360	SPRING KICKSTARTER RATCHET	1	1	
12	N3200240	E RING	1	1	
13	N2081440	BALL LEVER KICKSTARTER	1	1	
14	N2081430	SPRING KICKSTARTER LEVER	1	1	
15	N5081330	RATCHET KICKSTARTER	1	1	
16	N5200140	SHIM 20.5x26x1.5	1	1	
17	N5080810	GEAR KICKSTARTER DRIVE	1	1	
18	N4080140	SHAFT KICKSTARTER	1	1	

FWD

FIG.No.10

TRANSMISSION ASSEMBLY

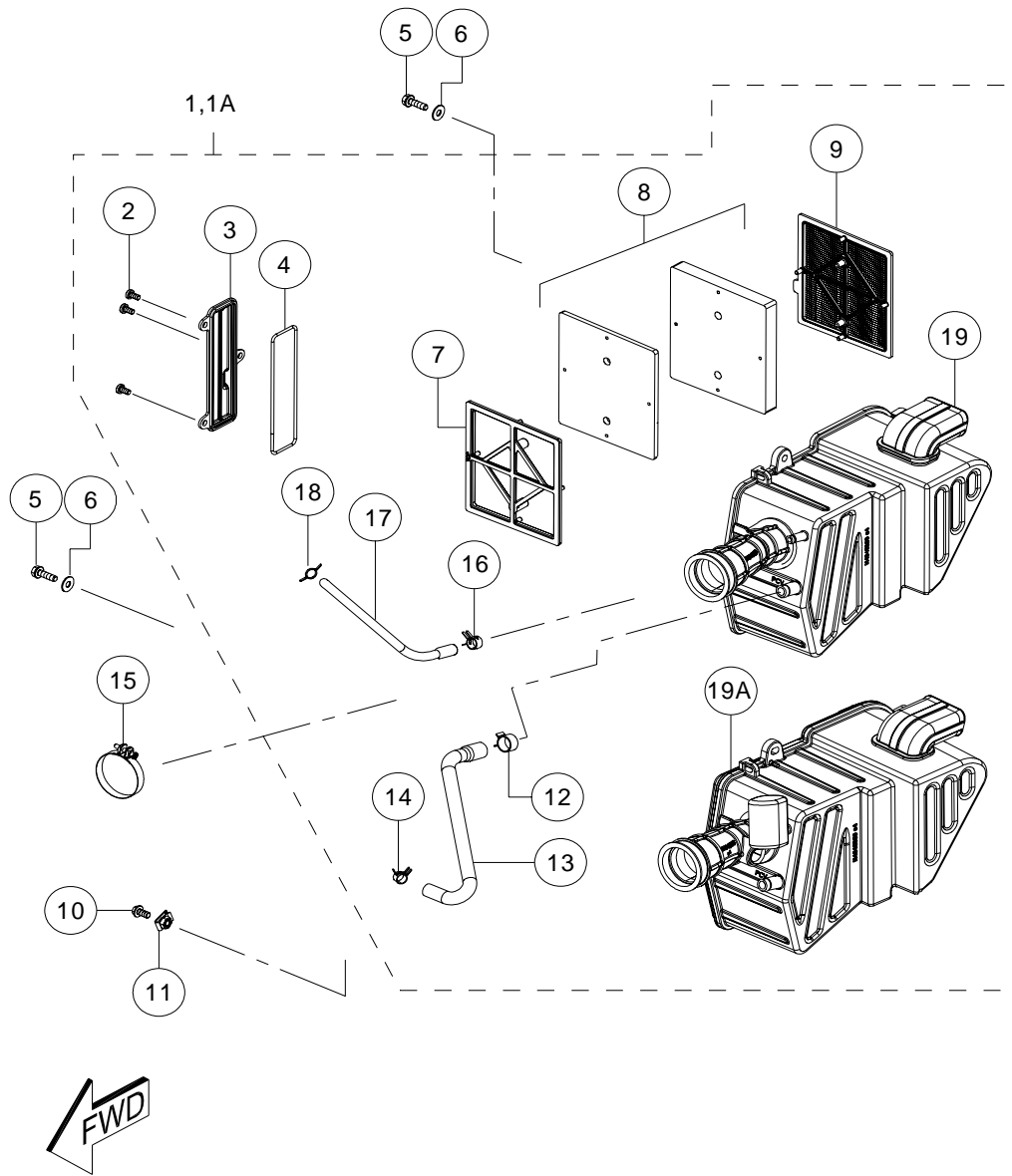


SLNo.	PART No.	DESCRIPTION	NO.OFF		REMARKS
			FLAME	FLAME SR125	
1	N4110170	DRIVE CHAIN 124 LINKS	1	1	
2	M1320420	LINK SET CHAIN	1	1	
3	N3080250	LOCK PLATE SPROCKET	1	1	
4	M1200940	HEX SCREW M5x10	2	2	
5	N3080160	SPROCKET ENGINE 13T	1	1	
6	N5080170	GEAR 4th DRIVEN	1	1	
7	N5200080	SHIM 12.7X22X1	1	1	
8	N2080330	SHIM	3	3	
9	N5080150	GEAR 3rd DRIVEN	1	1	
10	0330174	CIRCLIP 20x1.2	2	2	
11	N8080810	GEAR 2nd DRIVEN	1	1	
12	N5080110	GEAR COMP. 1st DRIVEN	1	1	
13	N5080100	SHAFT DRIVE	1	1	
14	N5080160	GEAR 4th DRIVE	1	1	
15	N5200110	SHIM 17.1x21x1	2	2	
16	N5200130	CIRCLIP 17x1.2	1	1	
17	N5080140	GEAR 3rd DRIVE	2	2	
18	N8080800	GEAR 2nd DRIVE	1	1	
19	N8080560	SHAFT CLUTCH	1	1	
20	N4320430	CHAIN & SPROCKET KIT	1	1	**
21	N4080230	DRIVE SHAFT ASSY.	1	1	
22	N4080240	COUNTER SHAFT ASSY.	1	1	
23	0339060	BALL BEARING 12x28x8	1	1	
24	N5080060	BUSH 1st GEAR DRIVEN	1	1	

** - REF. KIT & KIT CONTENTS

FIG.No. 11

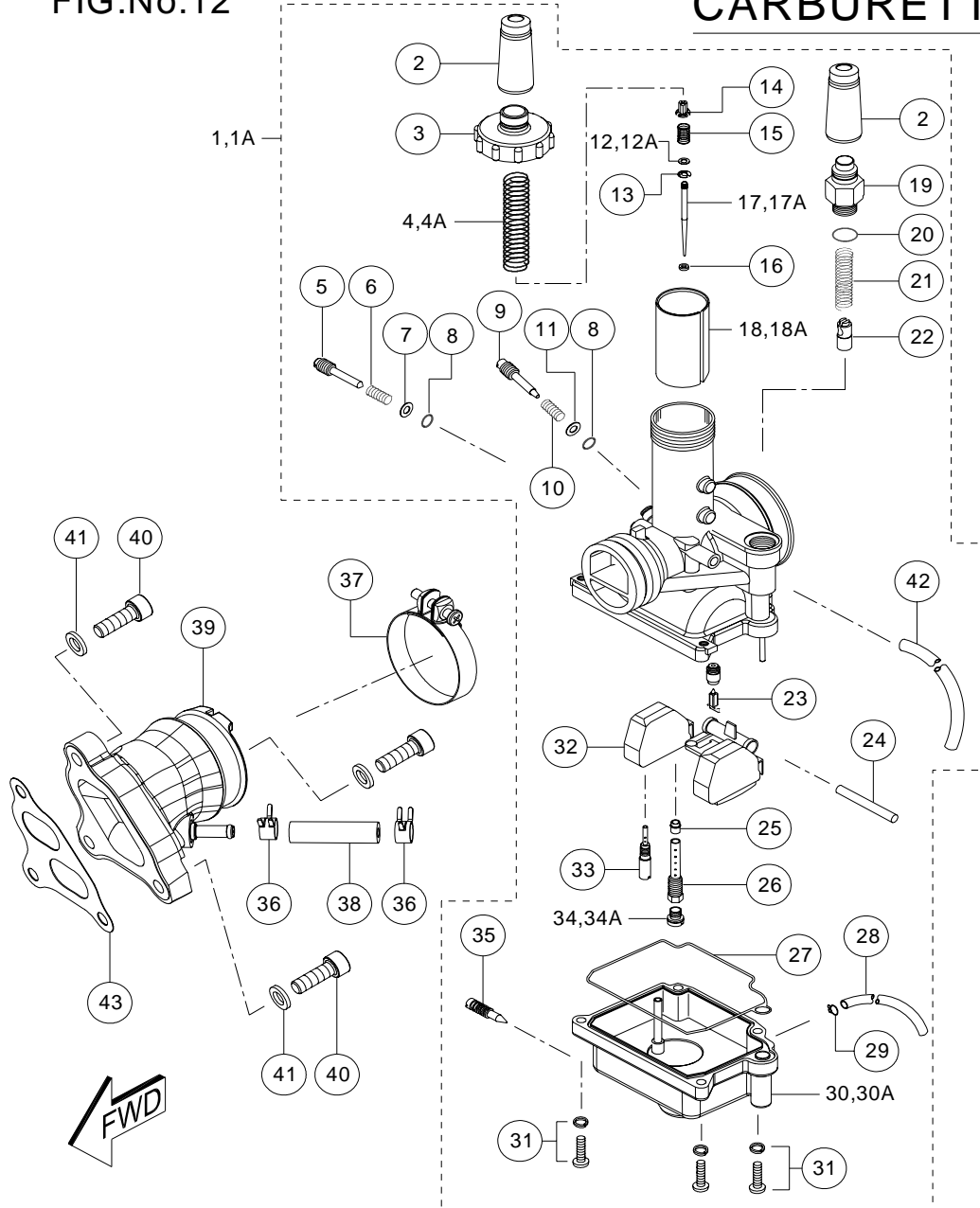
AIR CLEANER ASSEMBLY



SLNo.	PART No.	DESCRIPTION	NO.OFF		REMARKS
			FLAME	FLAME SR 125	
1	N4040730	AIR CLEANER ASSY.	1		
1A	N4041010	AIR CLEANER ASSY.		1	
2	K200520	CRR PAN HEAD SCREW M5x10	3	3	
3	N4040470	COVER FILTER ELEMENT	1	1	
4	N4040530	SEAL AIR CLEANER	1	1	
5	S1200030	HEX FLANGE BOLT M6x20	2	2	
6	0335608	PUNCHED WASHER 6.5x16x1.2	2	2	
7	N4040490	SUPPORT FOAM	1	1	
8	N4040480	FOAM COMP.	1	1	
9	N4040500	FLAME RETARDER COMP.	1	1	
10	C8200040	HEX FLANGE BOLT M6x1x12	1	1	
11	K3200840	RETAINER CLIP COMP. PANEL	1	1	
12	K140820	HOSE CLIP	1	1	
13	N4040540	HOSE BREATHER PCV	1	1	
14	N9140840	HOSE CLIP	1	1	
15	M100050	HOSE CLIP 41.5	1	1	
16	R1040460	CLIP HOSE BREATHER	1	1	
17	N4040050	HOSE INLET VT1	1	1	
18	414147000	HOSE CLIP	1	1	
19	--	AIR CLEANER COMP.	1		NS
19A	--	AIR CLEANER COMP.		1	"

FIG.No.12

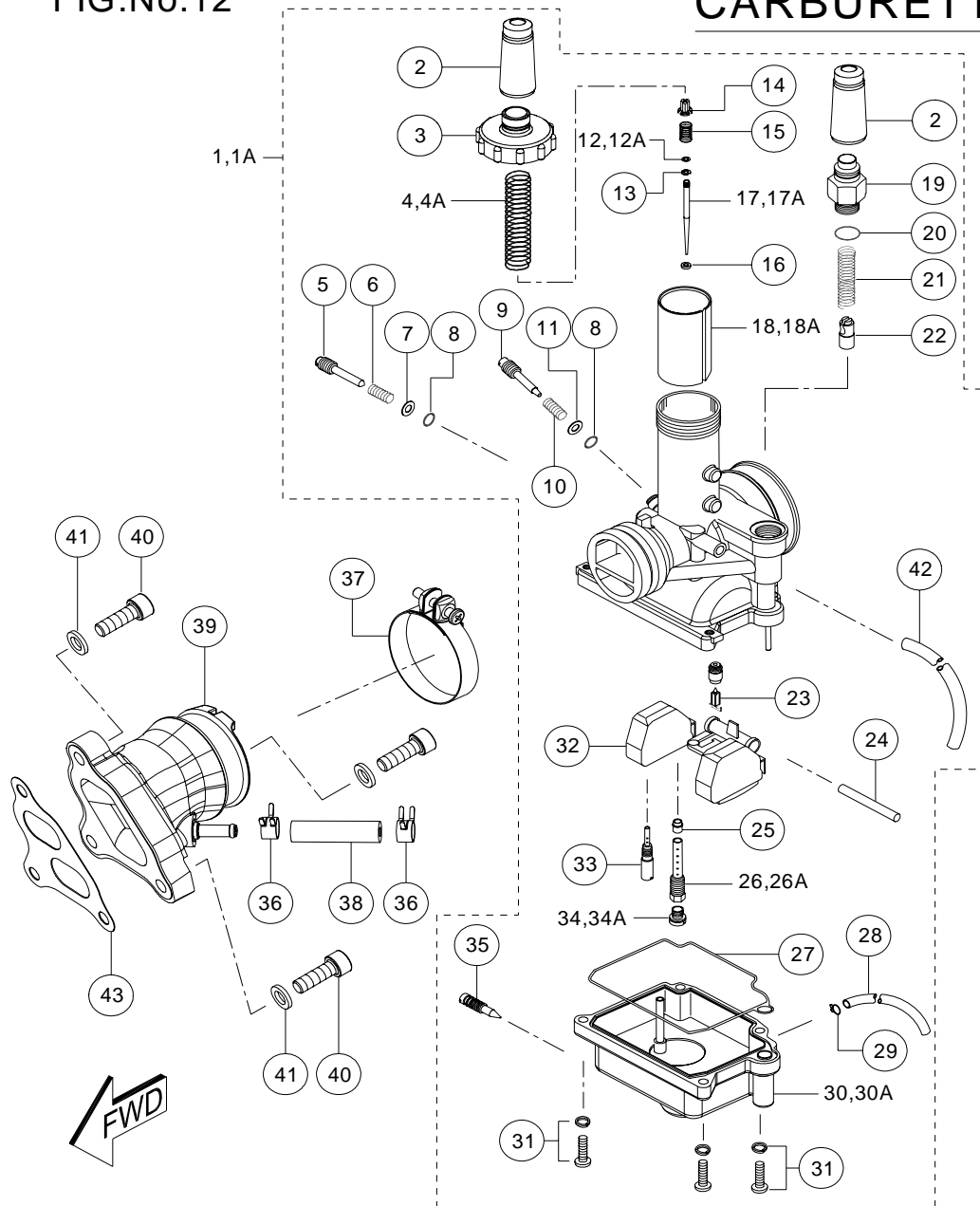
CARBURETTOR ASSEMBLY



SLNo.	PART No.	DESCRIPTION	NO.OFF		REMARKS
			FLAME	FLAME SR 125	
1	N4040040	CARBURETTOR ASSY.	1		
1A	N4041000	CARBURETTOR ASSY.		1	
2	R1320610	CAP THROTTLE	2	2	
3	N4320440	CAP TOP	1	1	
4	N4320620	SPRING PISTON VALVE	1		
4A	N4321220	SPRING PISTON VALVE		1	
5	N4320350	ADJUSTER SCREW	1	1	
6	N4320670	SPRING ADJUSTER SCREW	1	1	
7	K320780	WASHER ADJUSTER SCREW	1	1	
8	K3320490	O RING	2	2	
9	N4320470	AIR SCREW	1	1	
10	K3320510	SPRING AIR SCREW	1	1	
11	K3320500	WASHER AIR SCREW	1	1	
12	N4320660	WASHER JET NEEDLE	1		
12A	N4321090	WASHER JET NEEDLE		1	
13	N2320340	E RING JET NEEDLE	1	1	
14	N2320610	HOLDER JET NEEDLE	1	1	
15	N2320330	SPRING JET NEEDLE	1	1	
16	N5320210	RING	1	1	
17	N4320330	JET NEEDLE	1		
17A	N4321080	JET NEEDLE		1	
18	N4320330	PISTON VALVE	1		
18A	N4321100	PISTON VALVE		1	

FIG.No.12

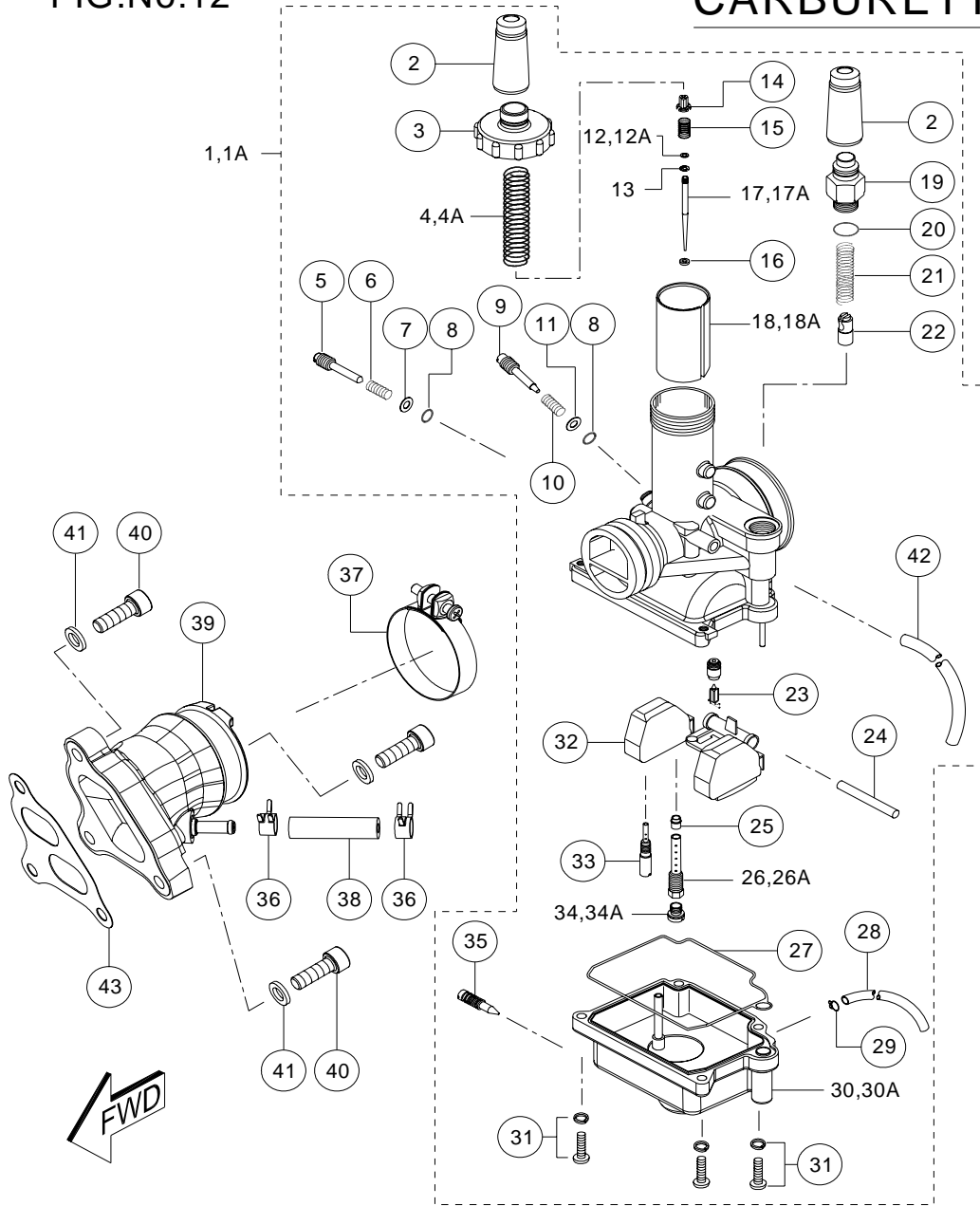
CARBURETTOR ASSEMBLY



SLNo.	PART No.	DESCRIPTION	NO.OFF		REMARKS
			FLAME	FLAME SR 125	
19	N4320600	GUIDE HOLDER	1	1	
20	K320710	O RING GUIDE HOLDER	1	1	
21	K320720	SPRING STARTER	1	1	
22	K320680	PLUNGER STARTER	1	1	
23	N4321060	NEEDLE VALVE ASSY.	1	1	
24	N2320510	PIN FLOAT	1	1	
25	N4320390	NEEDLE JET	1	1	
26	N4320340	JET HOLDER	1		
26A	N4321120	JET HOLDER		1	
27	N4320520	BOWL SEAL	1	1	
28	K3320540	HOSE DRAIN	1	1	
29	N8321730	CLIP TUBE	1	1	
30	N4320360	FLOAT CHAMBER BODY	1		
30A	N4321110	FLOAT CHAMBER BODY		1	
31	N4320530	SCREW FLOAT CHAMBER	4	4	
32	N4320570	FLOAT	1	1	
33	N4320400	PILOT JET	1	1	
34	N4320380	MAIN JET	1		
34A	N4321000	MAIN JET		1	
35	N2320310	DRAIN SCREW	1	1	
36	N8040370	HOSE CLIP 1	2	2	

FIG.No.12

CARBURETTOR ASSEMBLY

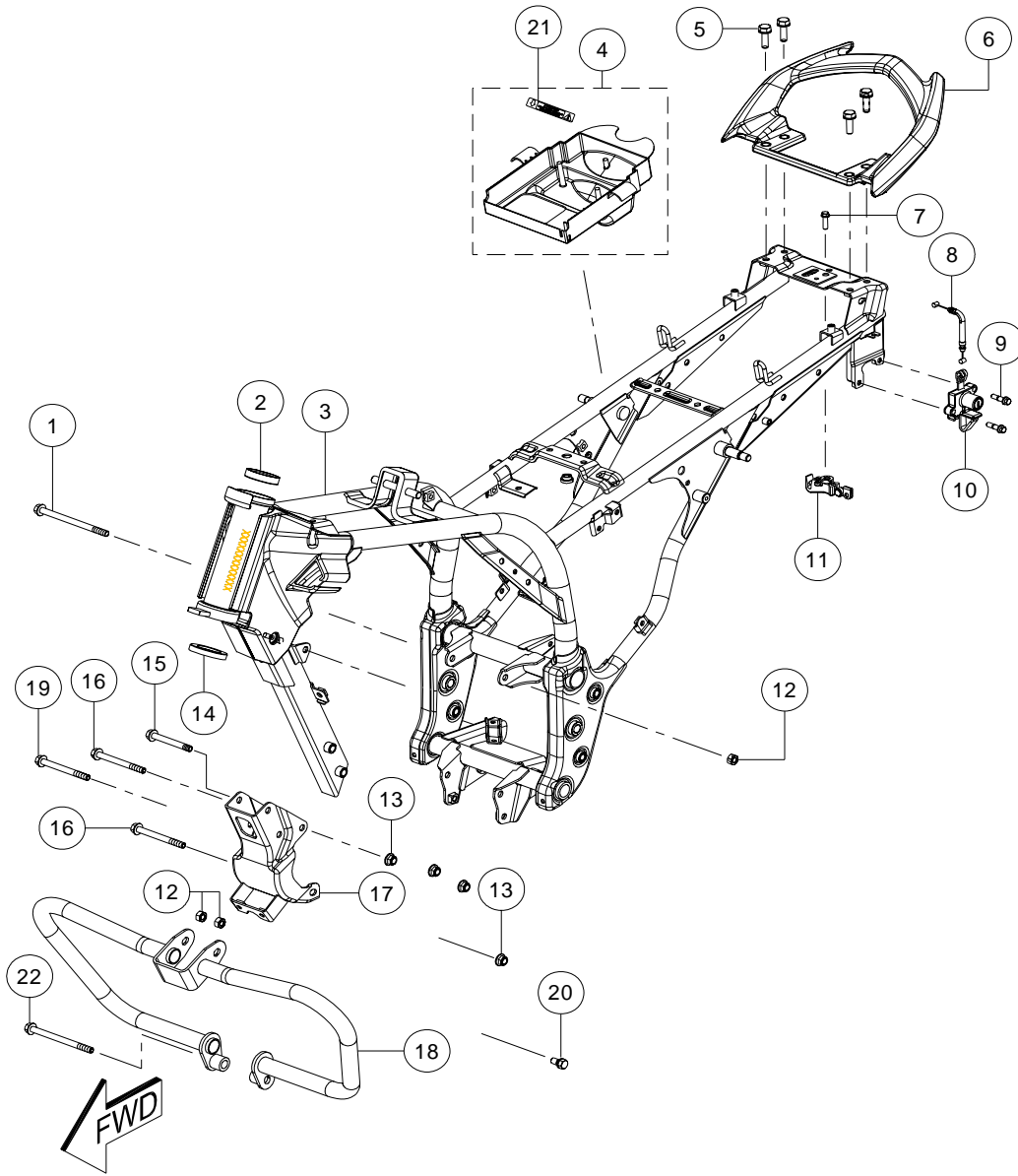


SLNo.	PART No.	DESCRIPTION	NO.OFF		REMARKS
			FLAME	FLAME SR 125	
37	P100480	HOSE CLIP	1	1	
38	N4040680	HOSE TEE INSERT	1	1	
39	N4040990	PIPE INTAKE COMP.	1	1	
40	M2200010	ALLEN SCREW	3	3	
41	8200130	PUNCHED WASHER 6.5x1x1.6	3	3	
42	N4320550	HOSE AIR VENT	1	1	
43	N4040030	GASKET PIPE INTAKE	1	1	
44	N4320810	MAJOR KIT CARBURETTOR	1		**

** - REF. KIT AND KIT CONTENTS

FIG.No. 14

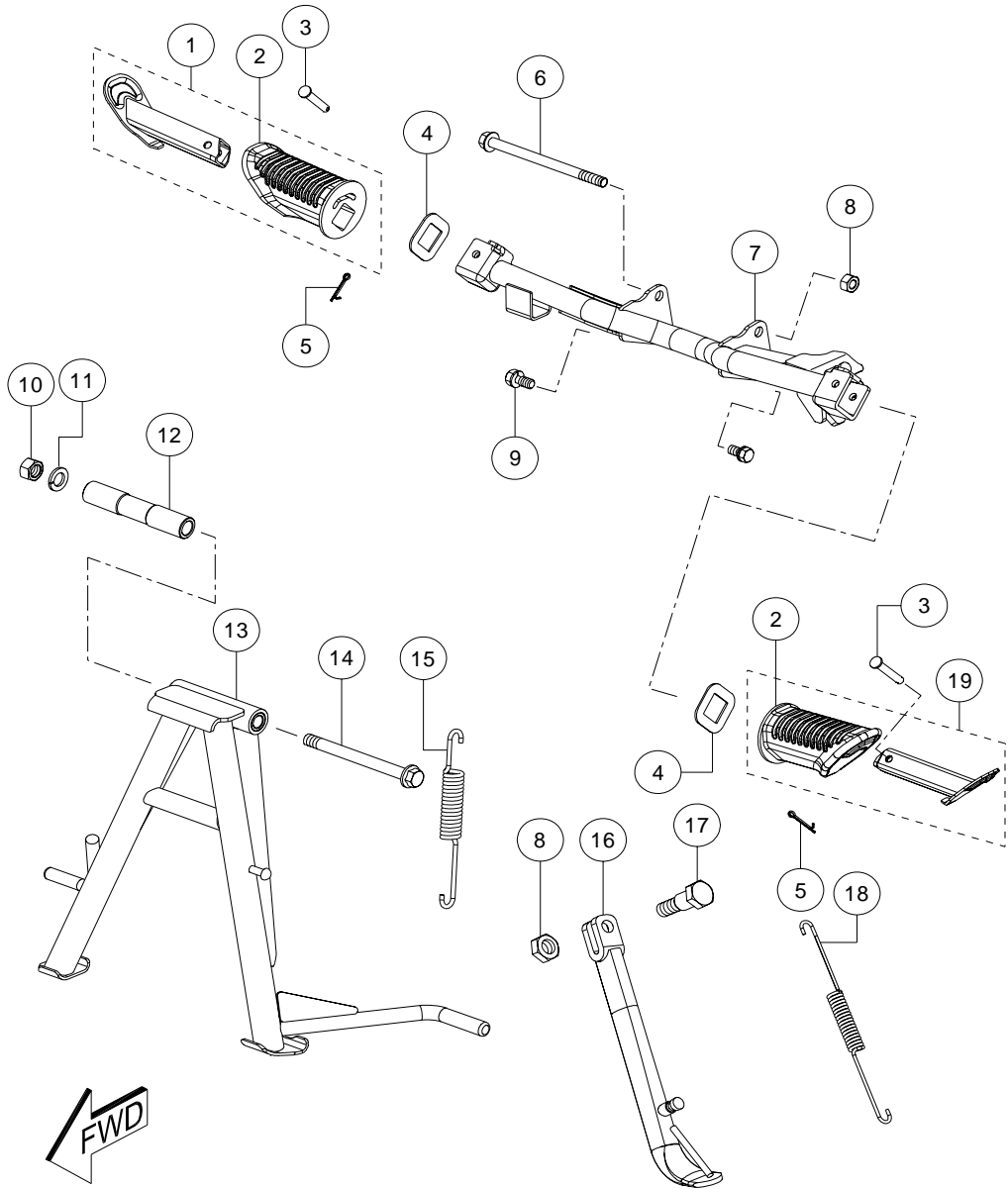
FRAME ASSEMBLY



SLNo.	PART No.	DESCRIPTION	NO.OFF		REMARKS
			FLAME	FLAME SR125	
1	0331278	HEX FL. BOLT M8x1.25x115	1	1	
2	S1125290	RACE STEERING INNER	1	1	
3	N4121350	FRAME COMP.	1	1	
4	N4220470	COVER AIR INLET	1	1	
5	M1200480	HEX FL. BOLT M8x25	4	4	
6	N42200707D	PILLION HANDLE	1	1	
7	M1200530	HEX FLANGE BOLT M6x20	1	1	
8	N8211800	CABLE COMP. SEAT LOCK	1	1	
9	N8200260	BREAK OFF BOLT	2	2	
10	N8211560	SEAT CUM HELMET LOCK	1	1	
11	N8211790	SEAT LATCH COMP.	1	1	
12	0334548	HEX NUT M8	3	3	
13	M1200890	HEX FLANGE U NUT M8	4	4	
14	K3100590	CUP BOTTOM	1	1	
15	N8200040	HEX FL BOLT M8x65	1	1	
16	N3200100	HEX FL. BOLT M8x80	2	2	
17	N4121410	BRKT ENGINE MTG. FRONT	1	1	
18	N4220270	CRASH GUARD	1	1	
19	N8200030	HEX FLANGE BOLT M8x75	1	1	
20	420454700	HEX SCREW M8x20	2	2	
21	N4210800	STICKER INFO	1	1	
22	M1200120	HEX FL. BOLT M8x120	1	1	

FIG.No. 15

CENTER STAND & FOOTREST ASSY.

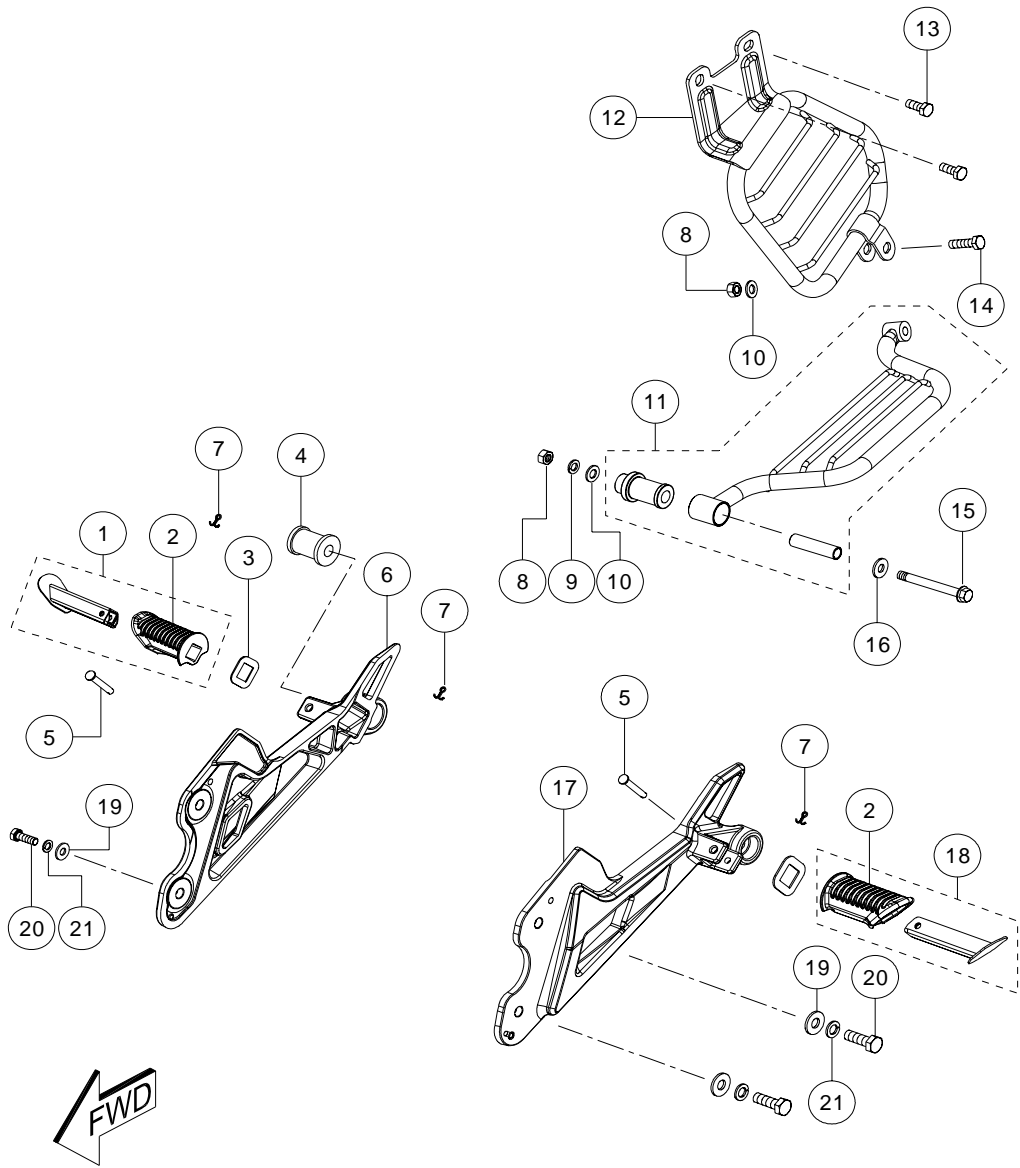


SLNo.	PART No.	DESCRIPTION	NO.OFF		REMARKS
			FLAME	FLAME SR 125	
1	N9123720	HOLDER ASSY. RIDER F. REST RH	1	1	
2	N9123670	SLEEVE RIDER FOOTREST	1	1	
3	M7121420	PIN PILLION FOOTREST	2	2	
4	N9122650	WASHER PILLION FOOTREST	2	2	
5	0330048	SPLIT PIN 2x0	2	2	
6	0331278	HEX FL. BOLT M8x1.25x115	1	1	
7	N4120520	BAR COMP. RIDER FOOTREST	1	1	
8	0334548	HEX NUT M8	2	2	
9	0331058	HEX BOLT+WAVE SPR WAS. M8x16	2	2	
10	0334038	HEX NUT M10	1	1	
11	0330328	WAVE SPRING WASHER M10	1	1	
12	N3121540	SPACER CENTER STAND	1	1	
13	N9121890	CENTER STAND COMP.	1	1	
14	N8200050	BOLT CENTER STAND	1	1	
15	N3120860	SPRING CENTER STAND	1	1	
16	N9121050	PROP STAND COMP.	1	1	
17	N9200010	HEX BOLT M8x1.25x30	1	1	
18	N5121610	SPRING PROP STAND	1	1	
19	N9123710	HOLDER ASSY. RIDER F. REST LH	1	1	
20	N4320930	KIT PROP STAND	1	1	**

** - REF. KIT & KIT CONTENTS

FIG.No.16

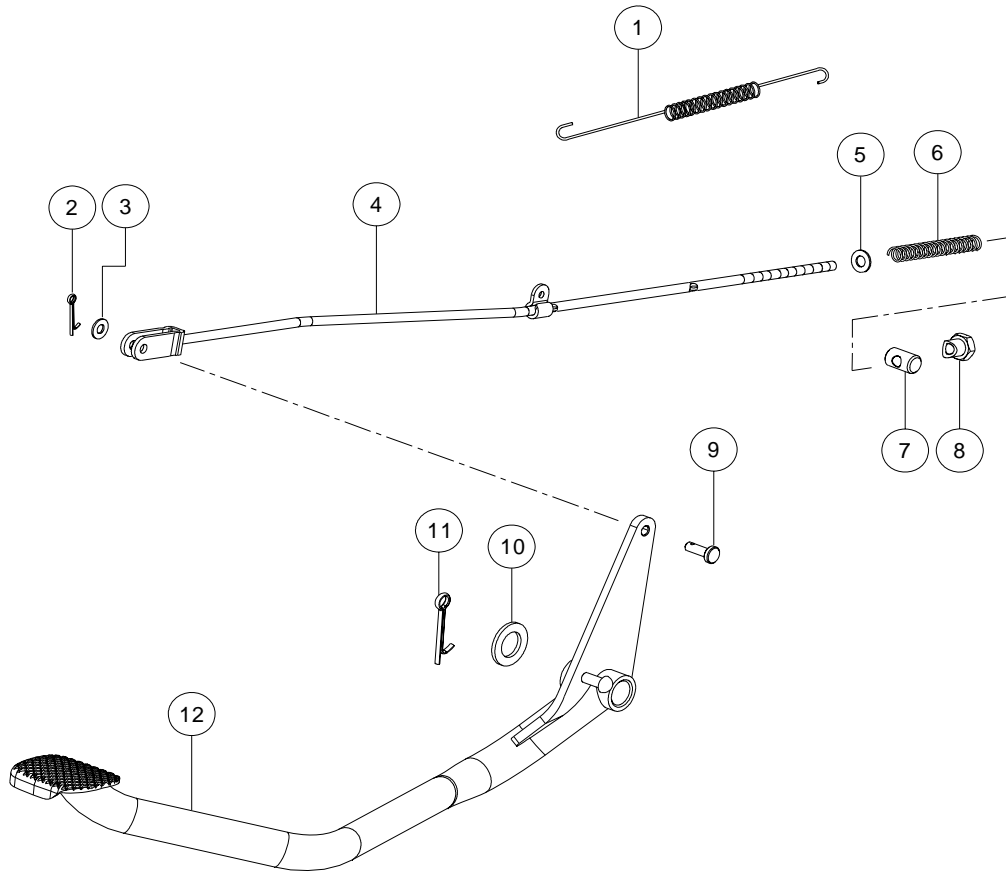
PILLION FOOTREST ASSY. LH , RH



SLNo.	PART No.	DESCRIPTION	NO.OFF		REMARKS
			FLAME	FLAME SR 125	
1	N9122600	HOLDER ASSY. PILLION RH	1	1	
2	N9122550	SLEEVE FOOTREST PILLION	2	2	
3	N9122650	WASHER PILLION FOOTREST	2	2	
4	N2121060	CUSHION EXHAUST MTG	1	1	
5	N9121790	PIN PILLION FOOTREST	2	2	
6	N42202007D	PILLION FOOTREST COMP. RH	1	1	
7	0330048	SPLIT PIN 2x20	2	2	
8	0334548	HEX NUT M8	2	2	
9	0330318	WAVE SPRING WASHER M8	1	1	
10	0335516	PUNCHED WASHER	2	2	
11	N4220510	SAREE GUARD FOOTREST ASSY.	1	1	
12	N4220280	SAREE GUARD COMP.	1	1	
13	420454700	HEX SCREW M8x20	2	2	
14	S1101250	HEX BOLT M8x35	1	1	
15	N8200030	HEX FLANGE BOLT M8x75	1	1	
16	0336018	PUNCHED WASHER 8.5x20x2	1	1	
17	N42201907D	PILLION FOOTREST COMP. LH	1	1	
18	N9122570	HOLDER ASSY. PILLION LH	1	1	
19	0335628	PUNCHED WASHER 10.5x24x2.3	2	2	
20	K3200680	HEX BOLT M10x1.25x30	2	2	
21	0330328	WAVE SPRING WASHER	2	2	

FIG.No. 17

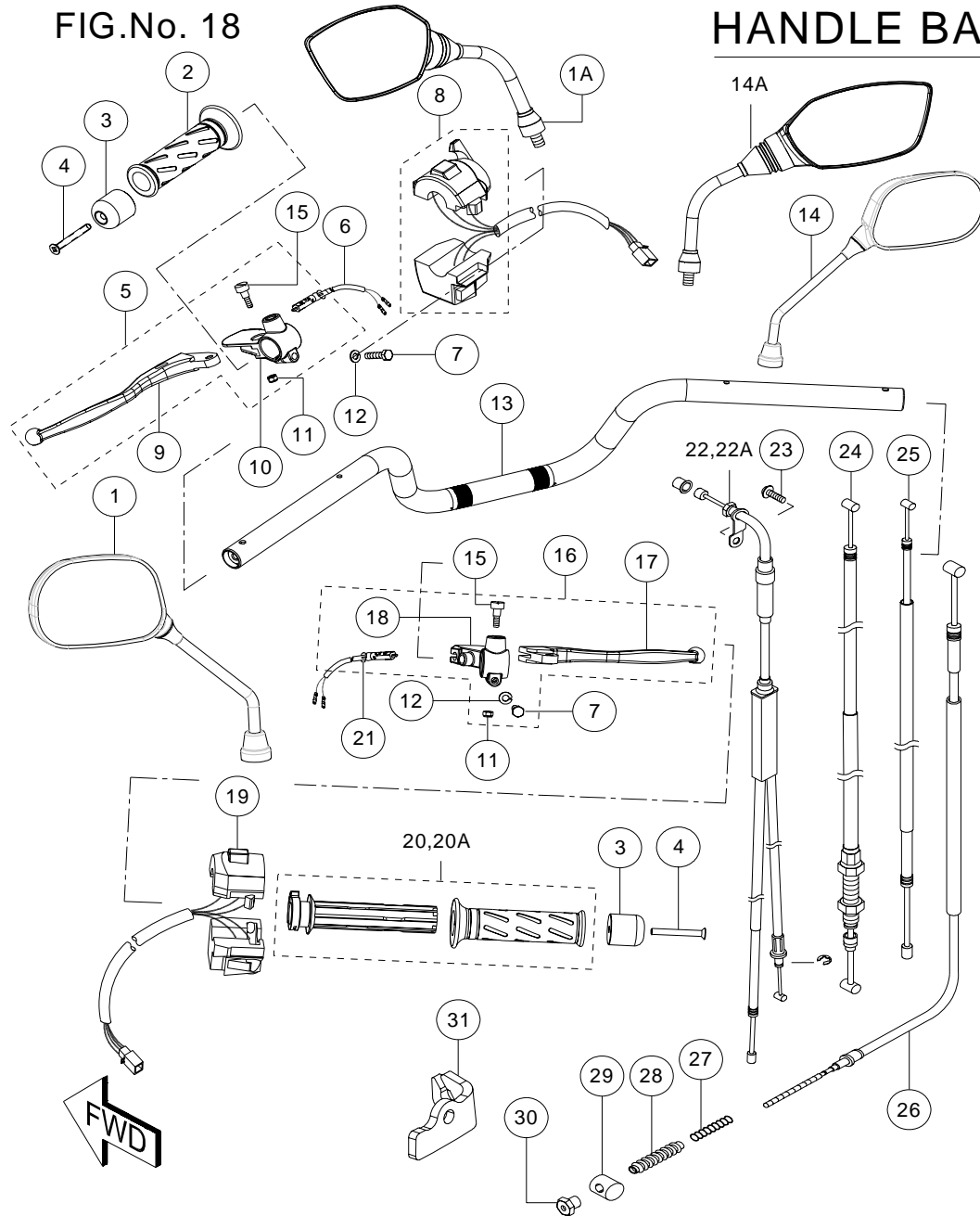
BRAKE PEDAL ASSY.



SLNo.	PART No.	DESCRIPTION	NO.OFF		REMARKS
			FLAME	FLAME SR 125	
1	N2110700	BRAKE RETURN SPRING	1	1	
2	0330048	SPLIT PIN 2.0x20	1	1	
3	0335558	PUNCHED WASHER 15.5x12x1	1	1	
4	N4110080	ROD COMP. REAR BRAKE	1	1	
5	0335578	PUNCHED WASHER 5.5x12x1	1	1	
6	N3110360	SPRING REAR BRAKE ROD ADJ.	1	1	
7	S1111930	PIN REAR BRAKE ROD LEVER	1	1	
8	0334278	NUT REAR BRAKE ROD ADJ.	1	1	
9	N2110600	PIN REAR BRAKE CONNECTOR	1	1	
10	0335708	PUNCHED WASHER 15.5x26x2.3	1	1	
11	0330028	SPLIT PIN 2x20	1	1	
12	N4110040	PEDAL COMP. REAR BRAKE	1	1	

FIG.No. 18

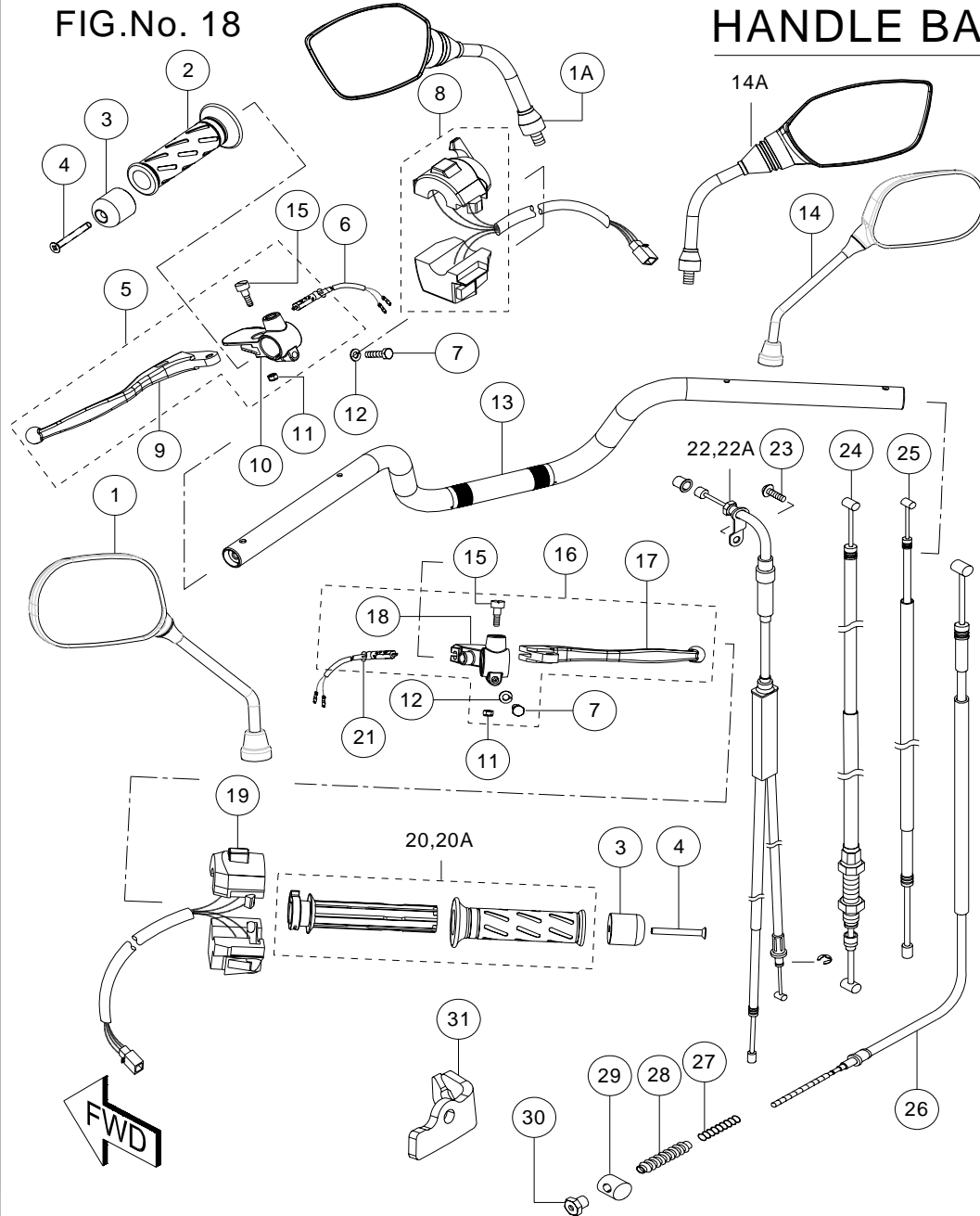
HANDLE BAR ASSEMBLY



SLNo.	PART No.	DESCRIPTION	NO.OFF		REMARKS
			FLAME	FLAME SR 125	
1	N5150070	REAR VIEW MIRROR ASSY. LH	1		(DRUM)
1A	N9221450	REAR VIEW MIRROR ASSY. LH	1	1	(DISC)
2	M1150130	GRIP LH	1	1	
3	M1150450	DAMPER HANDLE BAR	2	2	
4	M1201060	REC CSK HEAD SCREW M6x50	2	2	
5	N9150440	LEVER ASSY. CLUTCH	1	1	
6	N9160910	CLUTCH SWITCH ASSY.	1	1	
7	7200120	HEX BOLT M6x25	2	1	
8	N4160020	SWITCH ASSY. HANDLE LH	1	1	
9	N9150520	LEVER CLUTCH	1	1	
10	N9150450	LEVER BRACKET LH	1	1	
11	415021000	HEX NUT	2	1	
12	0335936	PUNCHED WASHER 6.5x13x1	2	1	
13	N4150030	HANDLE BAR COMP.	1	1	
14	N5150080	REAR VIEW MIRROR ASSY. RH	1		(DRUM)
14A	N9221460	REAR VIEW MIRROR ASSY. RH	1	1	(DISC)
15	N3150280	STUD LEVER HANDLE	2	2	
16	N5150170	LEVER ASSY. BRAKE	1	1	(DRUM)
17	N5150150	LEVER FRONT BRAKE	1	1	"
17A	N9321500	KIT LEVER	1	1	(DISC)
18	N5150160	LEVER BRACKET RH	1	1	
19	N4160030	SWITCH ASSY. HANDLE RH	1	1	
20	M1150140	GRIP COMP. THROTTLE	1		

FIG.No. 18

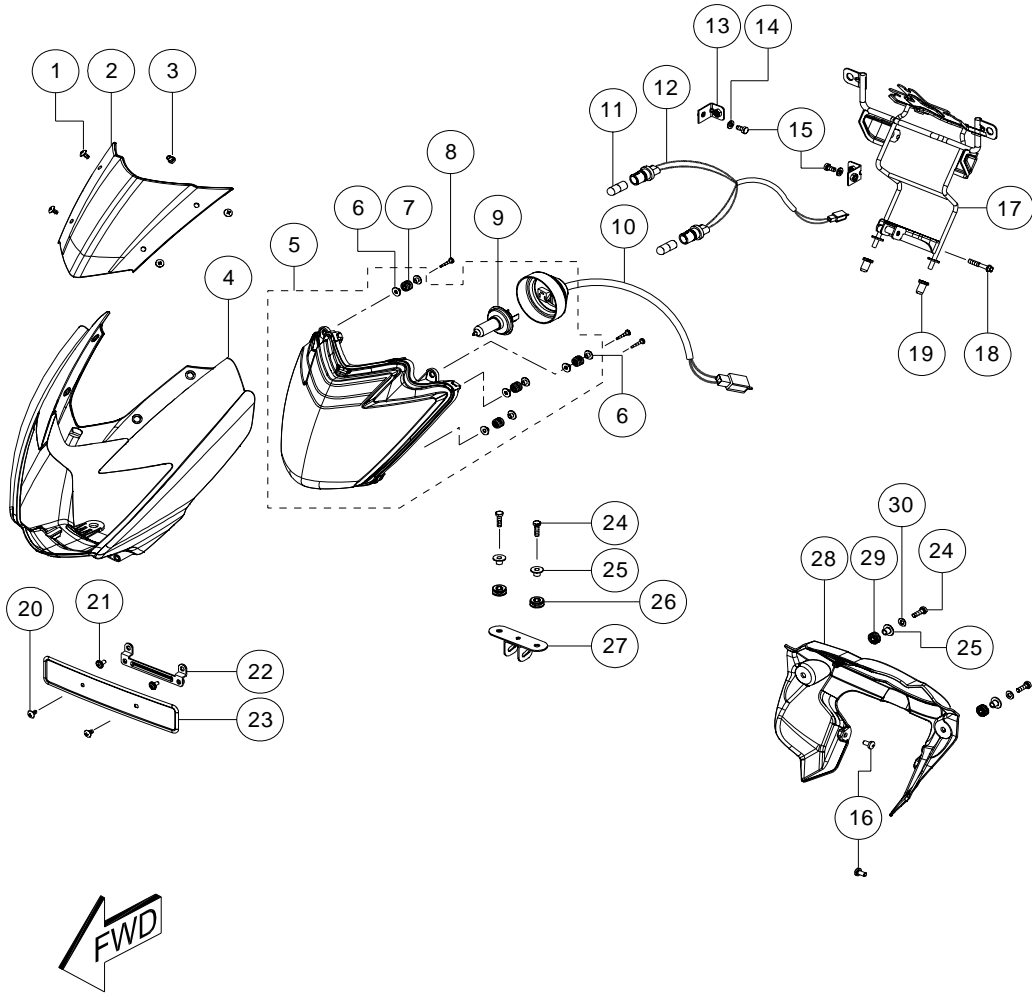
HANDLE BAR ASSEMBLY



SLNo.	PART No.	DESCRIPTION	NO.OFF		REMARKS
			FLAME	FLAME SR 125	
20A	N4150200	GRIP COMP. THROTTLE		1	
21	N3320510	SWITCH FRONT BRAKE	1	1	(DRUM)
21A	N9321520	KIT SWITCH	1	1	(DISC)
22	N4170150	THROTTLE CABLE	1		
22A	N4170190	THROTTLE CABLE		1	
23	420518000	CRR PAN HEAD SCREW M6x20	1	1	
24	N4170020	CABLE ASSY. CLUTCH	1	1	
25	N4170160	CABLE ASSY. CHOKE	1	1	
26	N9170110	BRAKE CABLE ASSY.	1	1	(DRUM)
27	N2110690	SPRING FRONT BRAKE CABLE	1	1	"
28	N2110680	DUST SEAL FRONT BRAKE CABLE	1	1	"
29	S1111940	PIN FRONT BRAKE CABLE LEVER	2	2	"
30	0334268	NUT FRONT BRAKE CABLE ADJ.	1	1	"
31	N4070170	BRKT CLUTCH CABLE	1	1	

FIG.No. 20

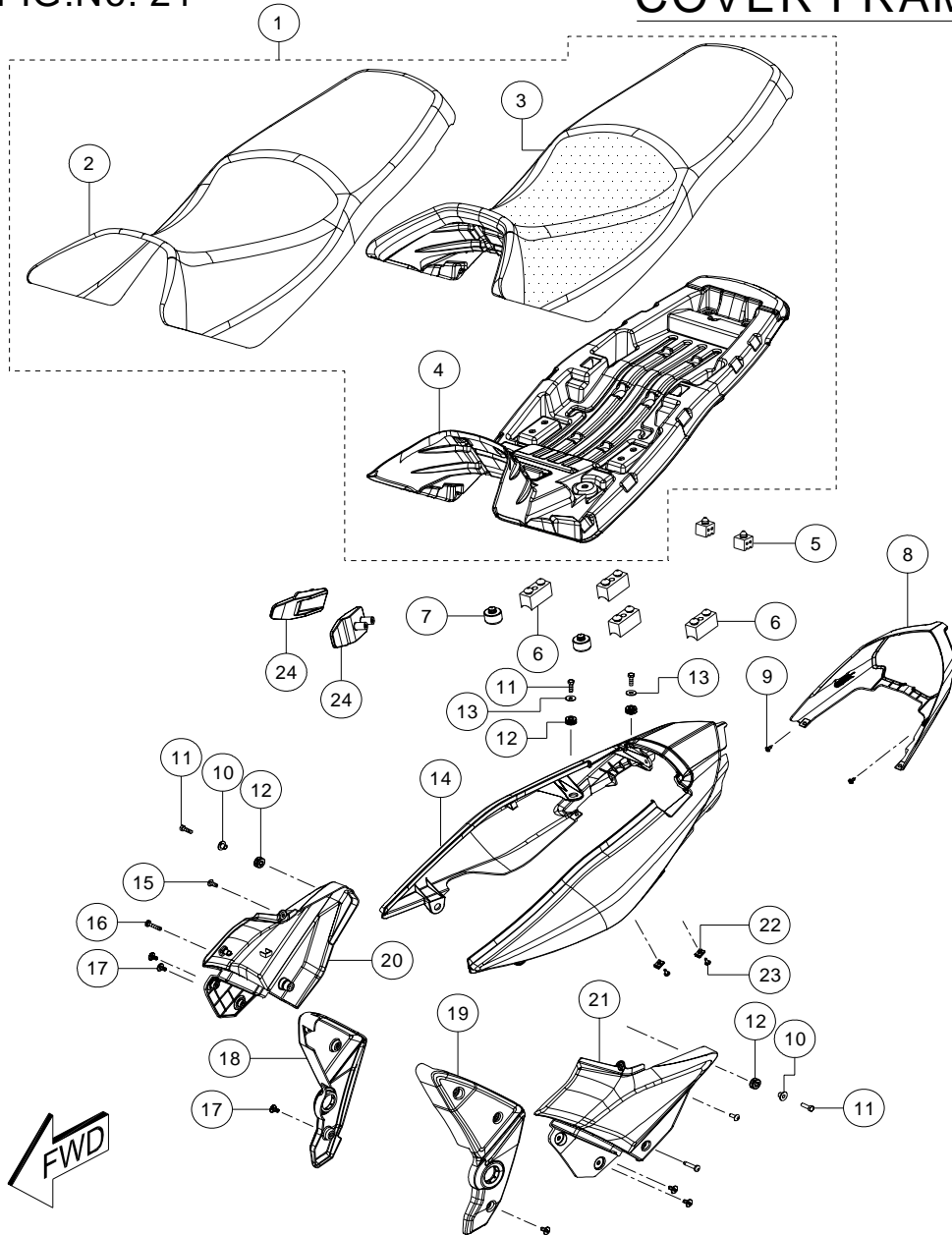
HEAD LAMP ASSEMBLY



SLNo.	PART No.	DESCRIPTION	NO.OFF		REMARKS
			FLAME	FLAME SR 125	
1	N8200220	CRR MUSHROOM HD SCR. M5x10	4	4	
2	N4220140	VISOR HEAD LAMP	1	1	
3	N3120990	GROMMET COMP. VISOR MTG	4	4	
4	--	HOUSING HEAD LAMP COMP.	1	1	REF.COLOUR
5	N4160070	HEAD LAMP ASSY.	1	1	
6	S1160200	WASHER	8	8	
7	S1160190	GROMMET HEAD LAMP	4	4	
8	S1201000	CRR PAN SCREW	4	4	
9	M7160190	BULB HEAD LAMP	1	1	
10	N4160140	CORD SET HEAD LAMP	1	1	
11	K3160520	BULB POSITION LAMP	2	2	
12	N9160880	CORD SET POSITION LAMP	1	1	
13	N3120300	BRKT COMP. HOUSING HD LAMP	2	2	
14	420001700	PUNCHED WASHERA6.6	2	2	
15	420452700	HEX SCREW M6x12	2	2	
16	P200270	CRR PAN HD SCREW M6 x 20	2	2	
17	N4220150	BRKT COMP HOUSING HD LAMP	1	1	
18	K200540	HEX FL. BOLT M6x35	1	1	
19	N8220500	PLUG BRKT HSG. HEAD LAMP	2	2	"
20	N8200080	CRR FL. PAN HD SCREW M5x10	2	2	
21	8200120	CRR FL. PAN HD SCREW M5x11	2	2	
22	N4220540	BRKT COMP LICENCE PLATE	1	1	
23	N3211120	NUMBER PLATE FRONT	1	1	

FIG.No. 21

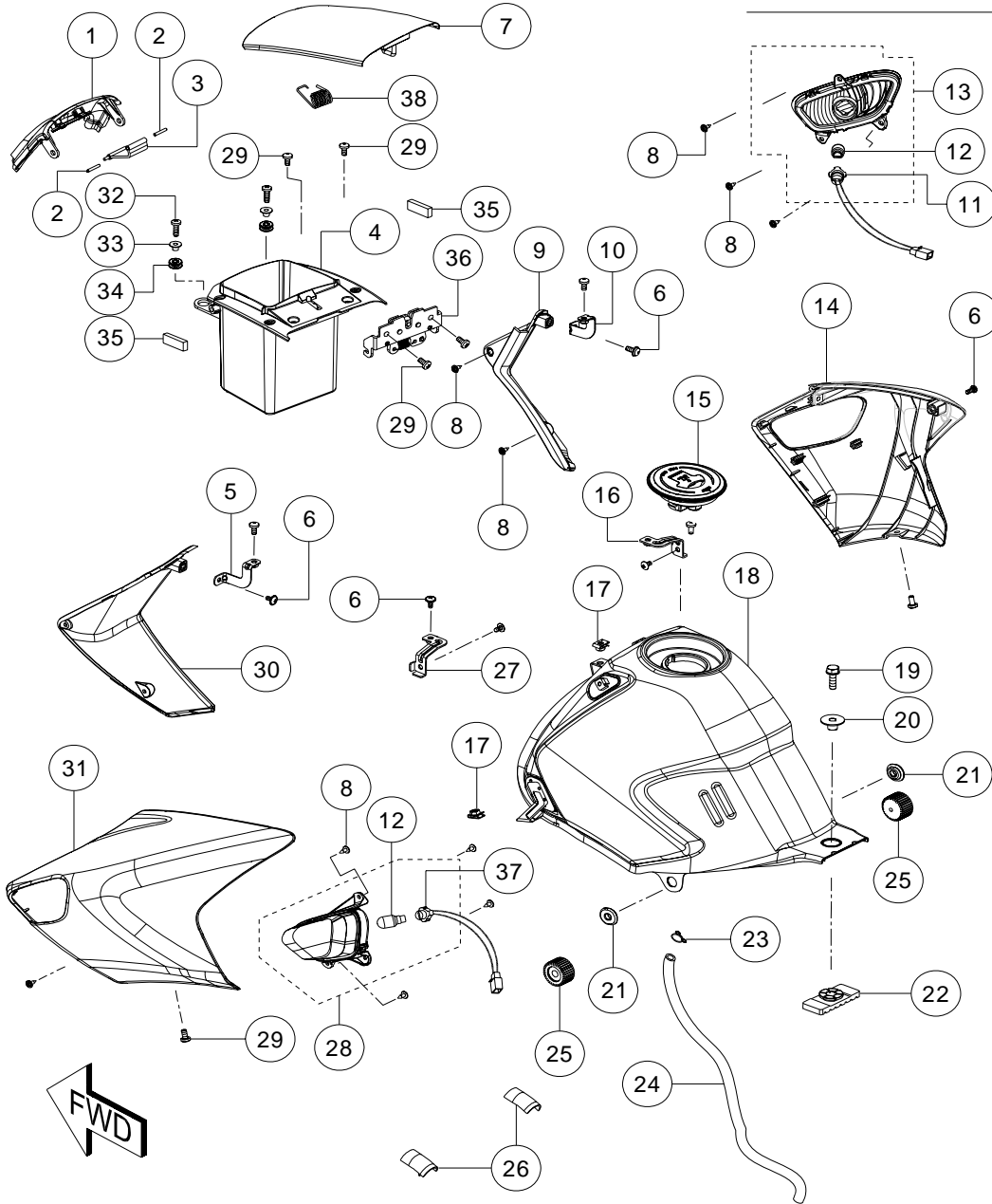
COVER FRAME & SEAT ASSY.



SLNo.	PART No.	DESCRIPTION	NO.OFF		REMARKS
			FLAME	FLAME SR 125	
1	N4130010	SEAT ASSEMBLY	1	1	
2	N4130040	COVER SEAT	1	1	
3	N4130030	SEAT FOAM	1	1	
4	N4130020	SEAT BASE	1	1	
5	N9130120	CUSHION SEAT	2	2	
6	N8130130	CUSHION SEAT	4	4	
7	N3130040	SEAT REST REAR	2	2	
8	N4220489	COVER TAIL LAMP	1	1	
9	N3200340	CRR FL.PAN HD TAP SCREW 4.2	2	2	
10	N8122610	CUP WASHER	2	2	
11	420462700	HEX SCREW M6x20	4	4	
12	N3120130	GROMMET HEAD LAMP	4	4	
13	0335618	PUNCHED WASHER 6.5x20x1.6	2	2	
14	---	COVER SEAT TAIL COMP.	1	1	REF.COLOUR PAGE NO.
15	K3200860	CRR PAN HEAD SCREW M6x30	2	2	
16	0332275	CRR PAN HD SCREW M6x16	2	2	
17	R1200220	SPL CRR PAN HD SCREW M6x12	6	6	
18	N42204307D	COVER FRAME BOTTOM RH	1	1	
19	N42204207D	COVER FRAME BOTTOM LH	1	1	
20	N42201005D	COVER FRAME RH	1	1	
21	N42200905D	COVER FRAME LH	1	1	
22	7130020	NUT SEAT TAIL COVER CENTER	2	2	
23	M1201000	CRR FL. PAN HD TAP SCREW	2	2	
24	N4221240	SEAT TANK HOOK	2	2	

FIG.No. 22

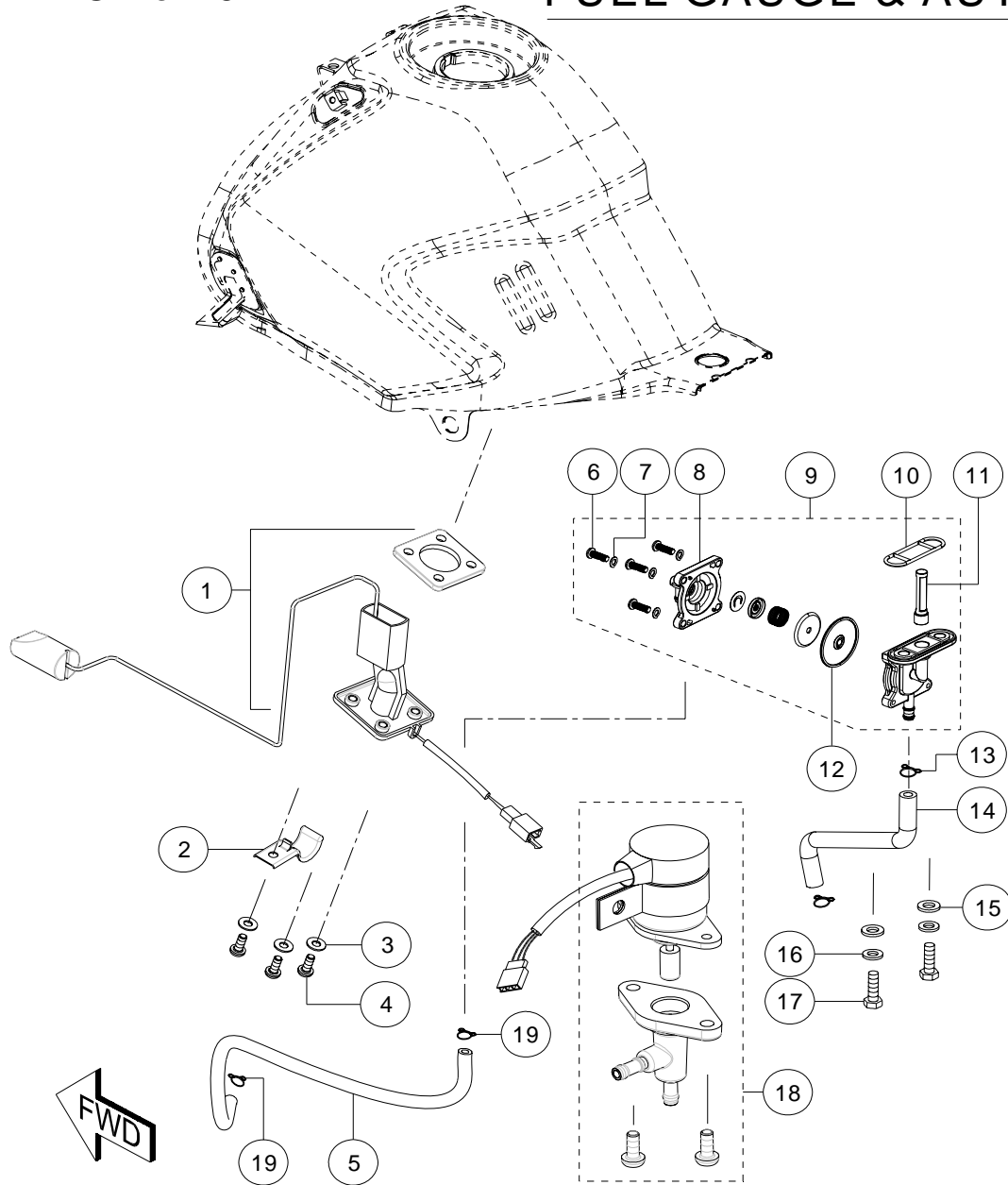
FUELTANK ASSEMBLY



SLNo.	PART No.	DESCRIPTION	NO.OFF		REMARKS
			FLAME	FLAME SR 125	
1	---	COVER FUEL TANK CENTER	1	1	REF.COLOUR PAGE NO.00
2	N4200120	PIN	2	2	
3	---	HING BRKT	1	1	
4	N4220680	TOOL BOX	1	1	
5	N4220400	BRKT COVER F T FRONT LH	1	1	
6	N8200080	CRR FL PAN HEAD SCR. M5x10	6	6	
7	N42205704D	COVER TOOL BOX	1	1	
8	N3200340	CRR FL PAN HD TAP SC 4.2x13	8	8	
9	---	COVER FUEL TANK INNER RH	1	1	REF.COLOUR PAGE NO.00
10	N4220410	BRKT COVER F T FRONT RH	1	1	
11	N4160240	CORD SET TS FRONT RH	1	1	
12	N4160210	BULB TSL ASSY.	2	2	
13	N4160110	TURN SIGNAL LAMP ASSY. F.RH	1	1	
14	---	COVER FUEL TANK RH	1	1	REF.COLOUR PAGE NO.00
15	N4140270	CAP FUEL TANK	1	1	
16	N4220590	BRKT COVER F T OUTER RH	1	1	
17	S1200700	CLIP NUT	1	1	
18	---	FUEL TANK COMP.	1	1	REF.COLOUR PAGE NO.00
19	M1200480	HEX FLANGE BOLT M8x25	1	1	
20	N9140540	BUSH FUEL TANK REAR MTG	1	1	
21	N8220400	CUSHION FUEL TANK	2	2	
22	N9140530	CUSHION FUEL TANK RR MTG	1	1	
23	R1140440	HOSE CLIP	1	1	

FIG.No. 23

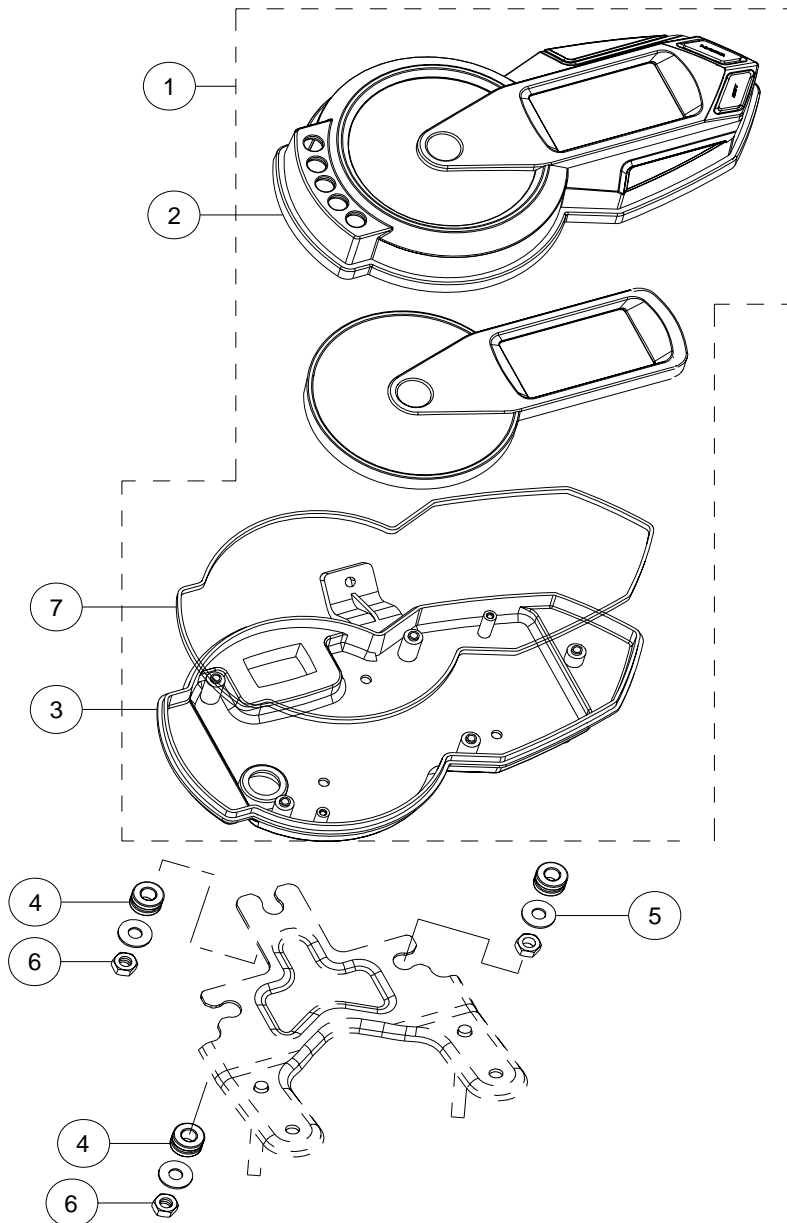
FUEL GAUGE & AUTO FUEL COCK ASSY.



SLNo.	PART No.	DESCRIPTION	NO.OFF		REMARKS
			FLAME	FLAME SR 125	
1	N4160050	FUEL SENDER UNIT	1		
2	N9140700	HOSE GUIDE	1		
3	0335558	PUNCHED WASHER 5.5x12x1	3		
4	0331708	CRPH SCREW M5x12	4		
5	N4140450	HOSE VACUUM	1		
6	-	SCREW	4		
7	-	SPRING WASHER	4		
8	-	COVER AUTO FUEL COCK	1		
9	N4140080	AUTO FUEL COCK ASSY.	1		
10	N4320940	MOUNTING RING	1		
11	N4320950	FUEL STRAINER SET SCREEN	1		
12	N4320960	DIAPHRAGM	1		
13	N4200130	HOSE CLAMP	2		
14	N4140440	HOSE AFC TO CARBURETOR	1		
15	N3140120	GASKET OIL LEVEL PLUG	2		
16	420001700	PUNCHED WASHER A6.6	2		
17	420462700	HEX SCREW M6x20	2		
18	N4160190	ACTUATOR ASSY.	1		
19	414147000	HOSE CLIP	2		

FIG.No. 24

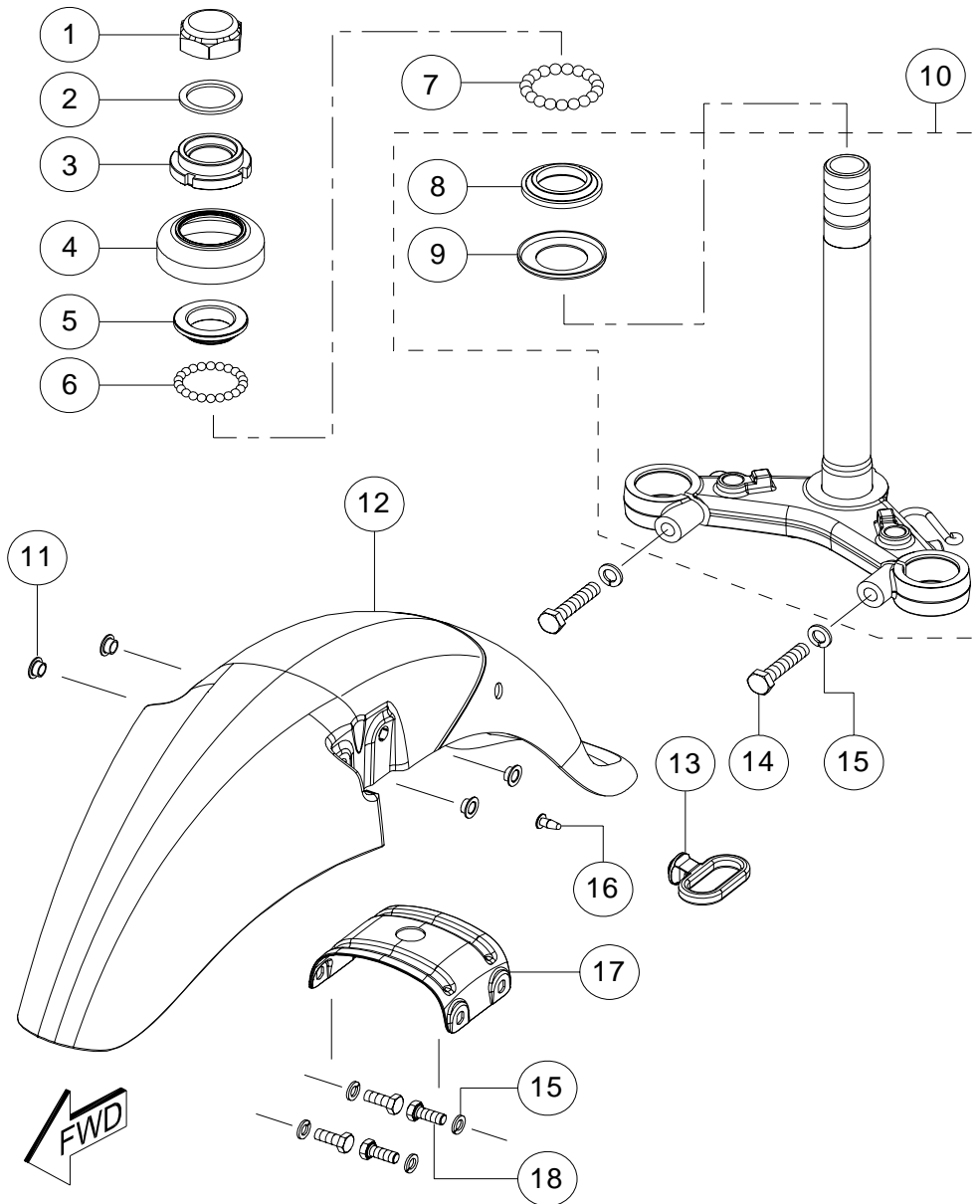
SPEEDOMETER ASSEMBLY



SLNo.	PART No.	DESCRIPTION	NO.OFF		REMARKS
			FLAME	FLAME SR 125	
1	N4220110	SPEEDO METER ASSY.	1	1	
2	N4320820	TOP COVER	1	1	
3	N4320830	BOTTOM COVER	1	1	
4	N9220760	GROMMET	3	3	
5	0335608	PUNCHED WASHER 6.5x16x1.2	3	3	
6	420305700	HEX NUT M6	3	3	
7	---	PAD CUSHION	1	1	

FIG.No. 25

UNDER BRACKET ASSY.

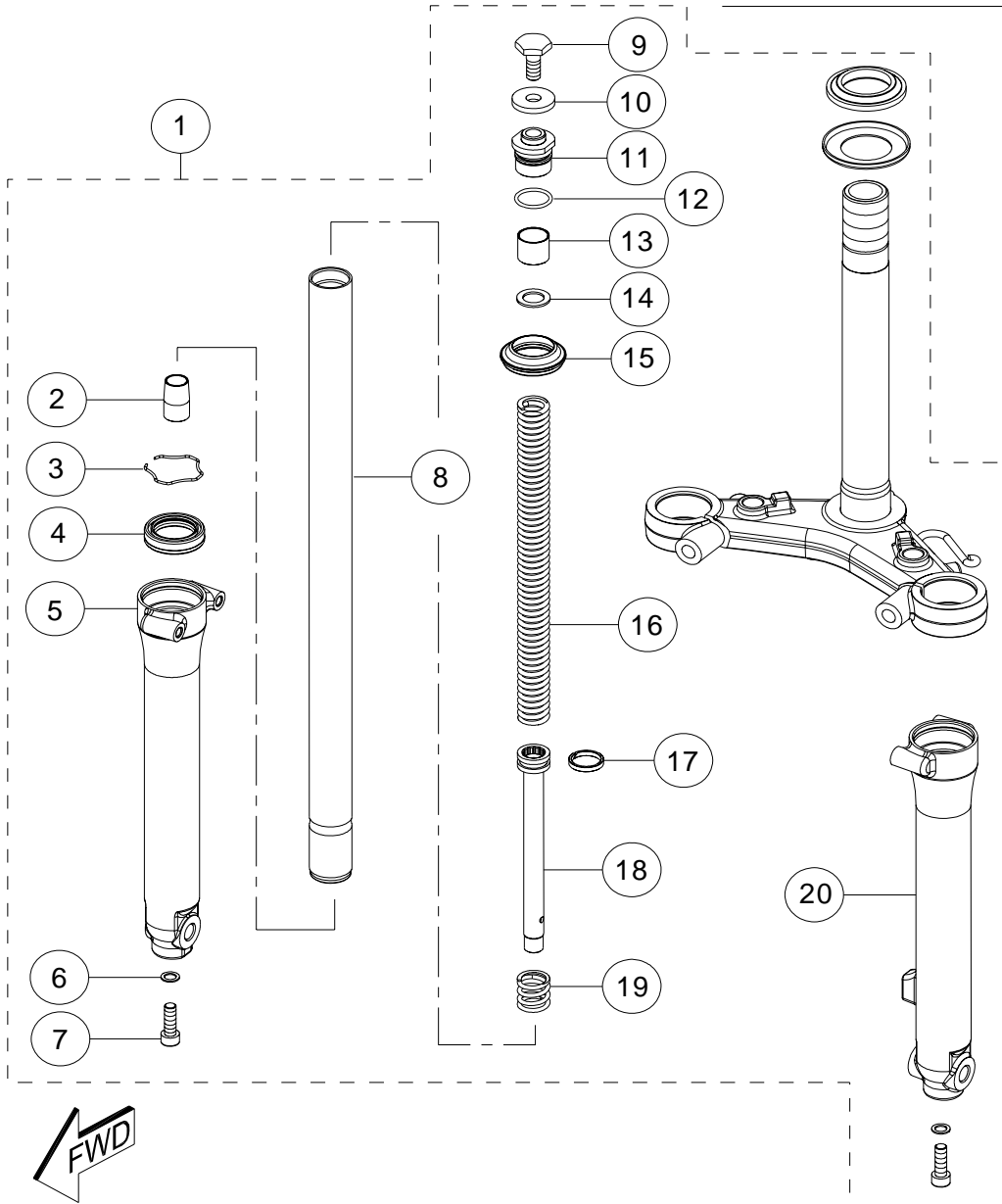


SLNo.	PART No.	DESCRIPTION	NO.OFF		REMARKS
			FLAME	FLAME SR 125	
1	N2100170	LOCK NUT STEERING	1	1	
2	410043700	SPECIAL WASHER	1	1	
3	N2100180	ARRESTER STEERING STEM	1	1	
4	M7101170	DUST SEAL STEERING STEM	1	1	
5	S1101150	RACE STEERING UPPER	1	1	
6	420404000	BALLS 3/16	22	22	
7	K3200450	BALL DIA 6.35	19	19	
8	N8120910	CONE BOTTOM	1	1	
9	N8120920	DUST SEAL STEERING LOWER	1	1	
10	N9322140	LOWER BRKT ASSY.	1	1	
11	M7101020	SPACER	4	4	
12	---	FENDER FRONT	1	1	REF. COLOUR PAGE NO. 00
13	N3100220	GUIDE CABLE	1	1	
14	420955700	HEX SCREW M8x40	2	2	
15	0330318	WAVE SPRING WASHER M8	6	6	
16	N3100230	CLIP	1	1	
17	M7100570	BRACE FENDER	1	1	
18	420454700	HEX SCREW M8x20	4	4	
19	N4320300	STEERING CONE KIT	1	1	**

** - REFER KIT & KIT CONTENTS

FIG.No. 26

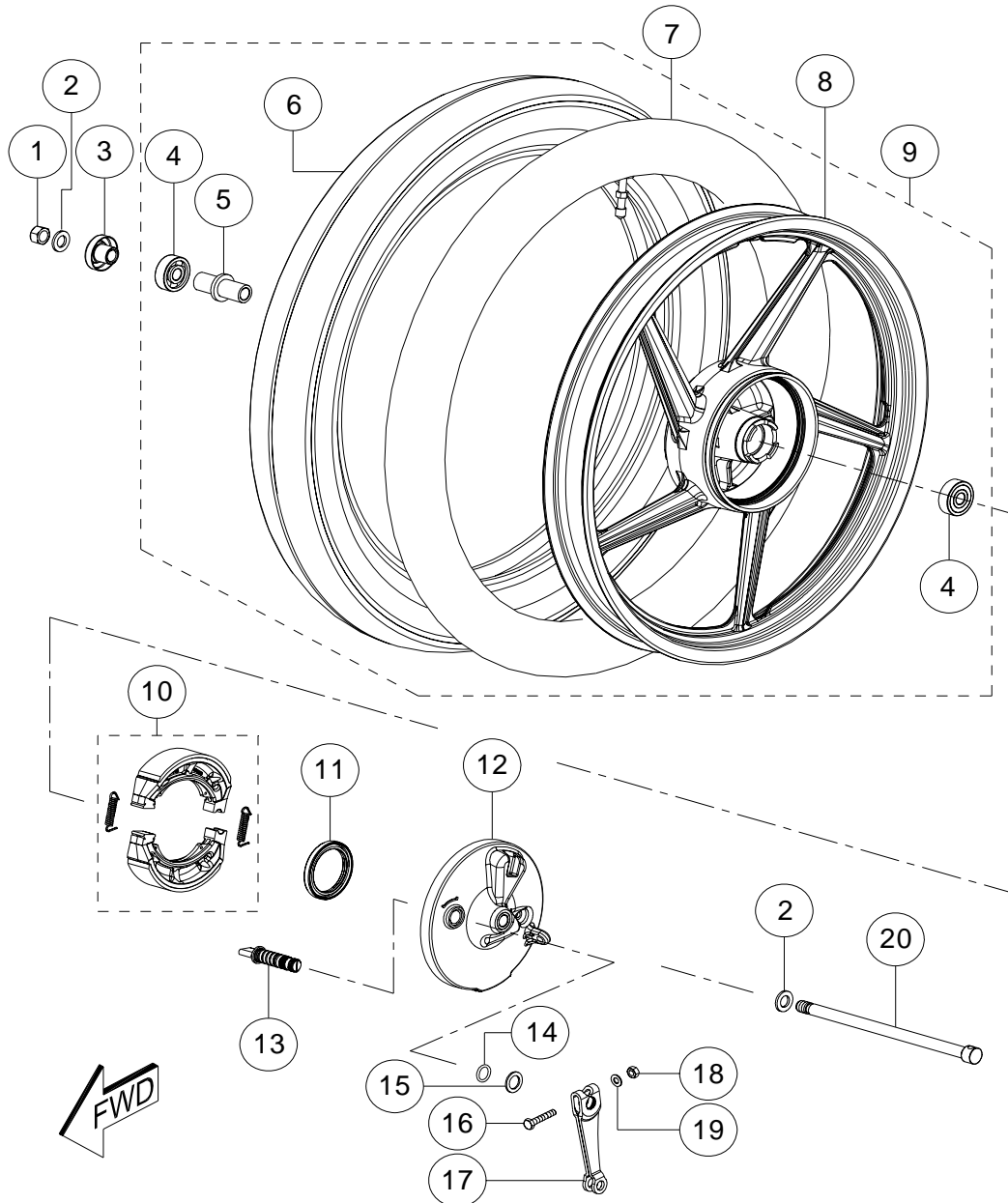
FRONT FORK ASSEMBLY



SLNo.	PART No.	DESCRIPTION	NO.OFF		REMARKS
			FLAME	FLAME SR 125	
1	N4100190	FRONT FORK ASSY. DRUM	1	1	(DRUM)
1A	N4100350	FRONT FORK ASSY. DISC	1	1	(DISC)
2	N3100300	PIECE OIL LOCK	2	2	
3	N3100290	SNAP RING	2	2	
4	N3102420	OIL SEAL	2	2	
5	N21002507D	OUTER TUBE COMP. RH DRUM	1	1	(DRUM)
5A	N4100330	OUTER TUBE COMP. RH DISC	1	1	(DISC)
6	N8101220	PACKING	2	2	
7	N8101230	BOLT	2	2	
8	N9100379	INNER TUBE ASSY.	2	2	
9	N9100910	BOLT	2	2	
10	N9100900	WASHER 3D 10.5x30x4..5	2	2	
11	N9100450	NUT FRONT FORK	2	2	
12	N5101969	O RING	2	2	
13	N9100780	SPACER FRONT FORK	2	2	
14	N5101949	SPRING GUIDE	2	2	
15	N3102410	DUST SEAL	2	2	
16	N5101939	SPRING FRONT FORK	2	2	
17	N3100330	PISTON RING DAMPER	2	2	
18	N3100340	PISTON FRONT FORK	2	2	
19	N8101320	REBOUND SPRING	2	2	
20	N21002407D	FORK OUTER TUBE LH DRUM	1	1	(DRUM)
20A	N4100320	FORK OUTER TUBE LH DISC	1	1	(DISC)

FIG.No. 27

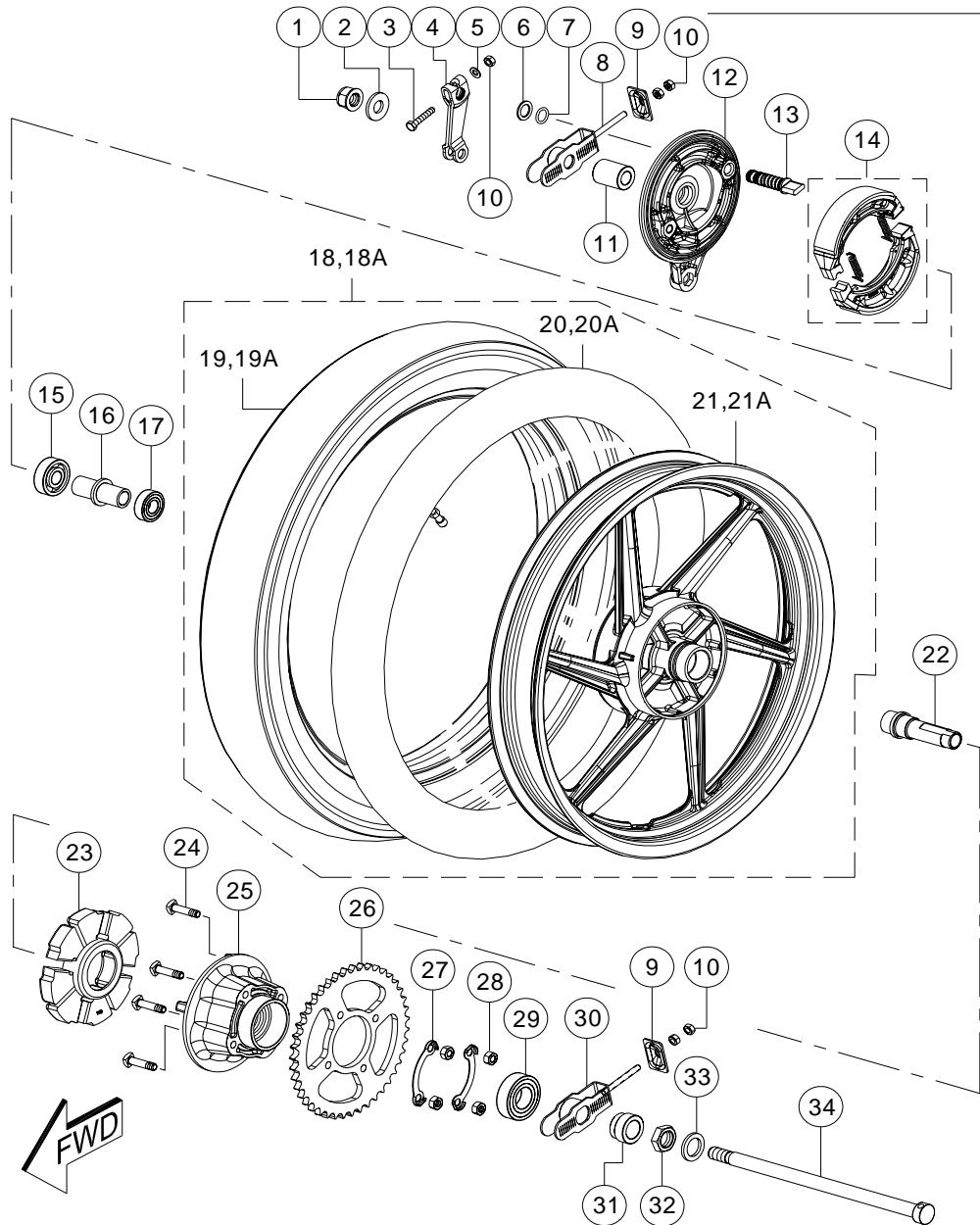
FRONT WHEEL ASSY. (DRUM)



SLNo.	PART No.	DESCRIPTION	NO.OFF		REMARKS
			FLAME	FLAME SR 125	
1	0334158	U NUT M12x1.25	1	1	(DRUM)
2	0335538	PUNCHED WASHER 12.5x22x2.3	2	2	"
3	N3110390	SPACER COMP.	1	1	"
4	N3200010	BALL BEARING 12x37x12	2	2	"
5	N2110190	SPACER COMP. FRONT HUB	1	1	"
6	N4110210	TYRE FRONT 2.75" - 18"	1	1	"
7	N3110430	TUBE ASSY 2.5"/2.75"-18"	1	1	"
8	N8112200	ALLOY WHEEL FRONT 1.6x18	1	1	"
9	N4110190	WHEEL ASSY.	1	1	"
10	1110020	SHOE SET BRAKE DIA 130	1	1	"
11	N3110260	SEAL FRONT BRAKE PANEL OIL	1	1	"
12	N4110280	BRAKE PANEL COMP. FRONT	1	1	"
13	N2110130	CAM BRAKE FRONT	1	1	"
14	0178030	O RING BRAKE CAM	1	1	"
15	0335698	PUNCHED WASHER 14.5x22x1.6	1	1	"
16	0331248	HEX BOLT M6x1x33	1	1	"
17	N3110400	LEVER FRONT BRAKE CAM	1	1	"
18	420305700	HEX NUT M6	1	1	"
19	0335578	PUNCHED WASHER 6.5x22x1.6	1	1	"
20	N3110990	AXLE DIA 12x221.5	1	1	"

FIG.No. 28

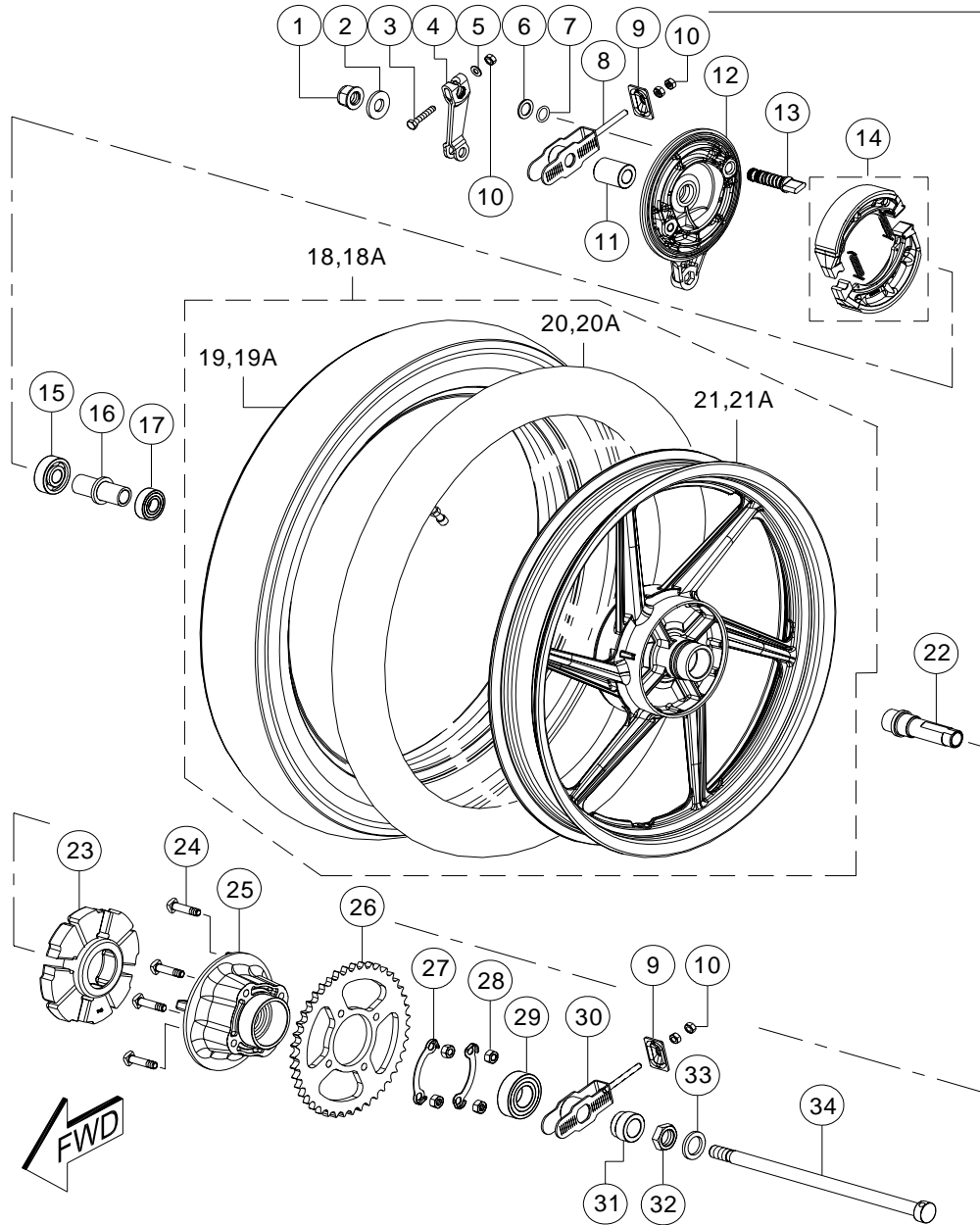
REAR WHEEL ASSEMBLY



SLNo.	PART No.	DESCRIPTION	NO.OFF		REMARKS
			FLAME	FLAME SR 125	
1	K200410	U NUT M14 x1.5	1	1	
2	M7200020	PUNCHED WASHER 14.5x32x3.2	1	1	
3	0331248	HEX BOLT M6x1x33	1	1	
4	M7110770	LEVER CAM BRAKE	1	1	
5	0335578	PUNCHED WASHER 6.5x13x1	1	1	
6	0335698	PUNCHED WASHER 14.5x22.1.6	1	1	
7	0178030	O RING CAM BRAKE	1	1	
8	N9090910	CHAIN ADJUSTER COMP. RH	1	1	
9	N3091850	CLAMP CHAIN ADJUSTER	2	2	
10	420305700	HEX NUT M6	4	4	
11	M7110750	SPACER REAR AXLE RH	1	1	
12	11124505D	BRAKE PANEL REAR	1	1	
13	N2110130	CAM BRAKE	1	1	
14	1110020	BRAKE SHOE SET 130 DIA	1	1	
15	1339510	BALL BEARING 15x42x13	1	1	
16	1182200	SPACER COMP.	1	1	
17	1339520	BALL BEARING 15x35x11	1	1	
18	N4110250	WHEEL ASSY. REAR ALLOY	1		
18A	N4110400	WHEEL ASSY. REAR ALLOY		1	
19	N9110890	TYRE REAR 17 x 100	1		
19A	N4110390	TYRE REAR 17 x 100		1	
20	N9111790	TUBE ASSY. WHEEL INNER	1		
20A	N9110650	TUBE ASSY. WHEEL INNER		1	

FIG.No. 28

REAR WHEEL ASSEMBLY

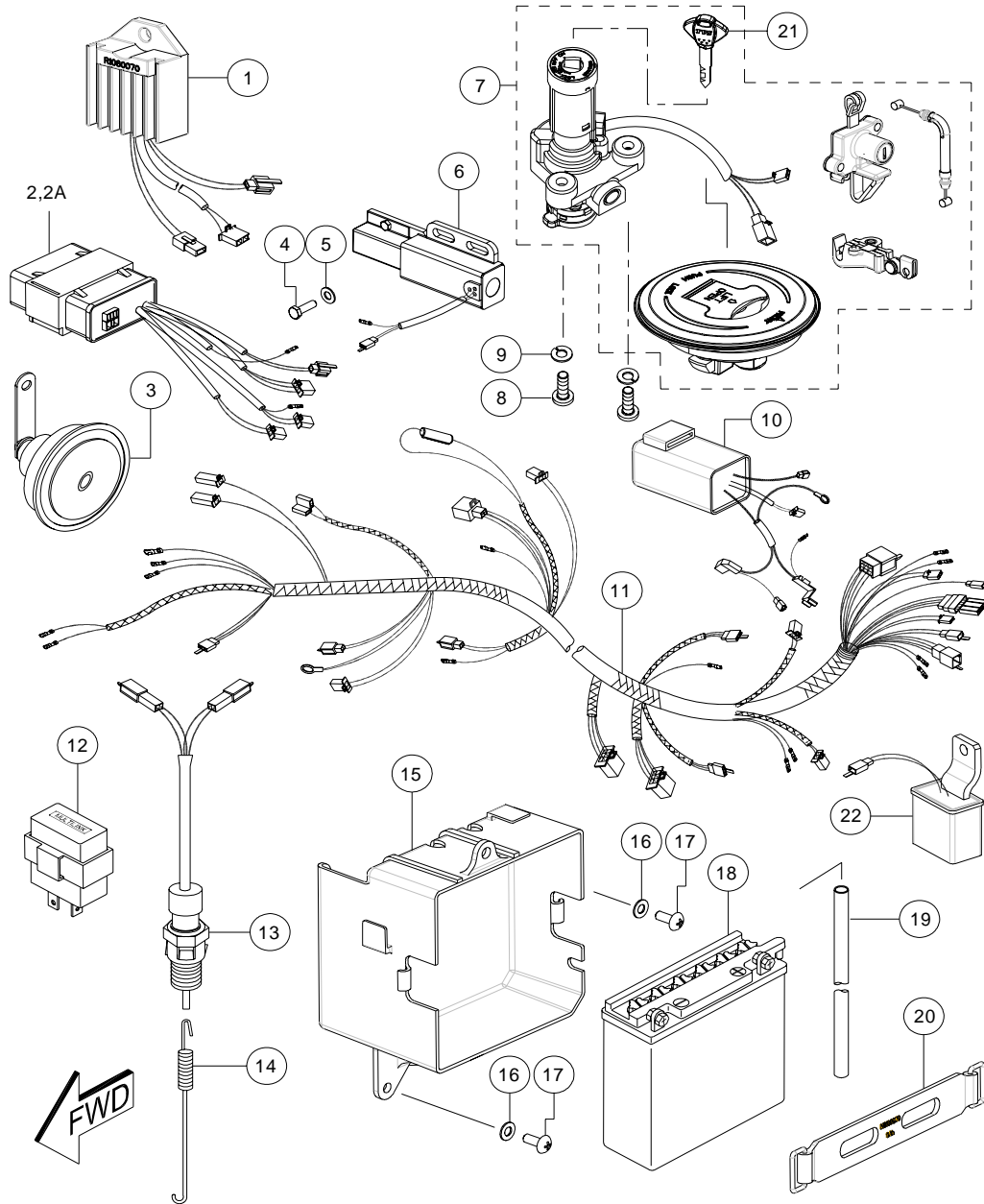


SLNo.	PART No.	DESCRIPTION	NO.OFF		REMARKS
			FLAME	FLAME SR 125	
21	N9111110	ALLOY WHEEL REAR 2.15x17	1		
21A	N9112770	ALLOY WHEEL REAR 2.15x17		1	
22	N9110690	SHAFT REAR SPROCKET MTG	1	1	
23	1181150	ABSORBER RR WHEEL HUB	1	1	
24	0331318	BOLT REAR SPROCKET	4	4	
25	1181070	DRUM REAR SPROCKET 130DIA	1	1	
26	N4110340	SPROCKET 45T	1	1	
27	1181160	WASHER REAR SPROCKET	2	2	
28	0334548	HEX NUT M8	4	4	
29	1339120	BALL BEARING 25x52x15	1	1	
30	N9090940	CHAIN ADJUSTER COMP. LH	1	1	
31	M7110740	SPACER REAR AXLE LH	1	1	
32	0334640	HEX NUT M20	1	1	
33	M7200010	WASHER 21.6x32x3.2	1	1	
34	N9110700	REAR AXLE 15x290	1	1	
35	N4320430	CHAIN & SPROCKET KIT	1	1	**

** - REF. KIT & KIT CONTENTS

FIG.No. 29

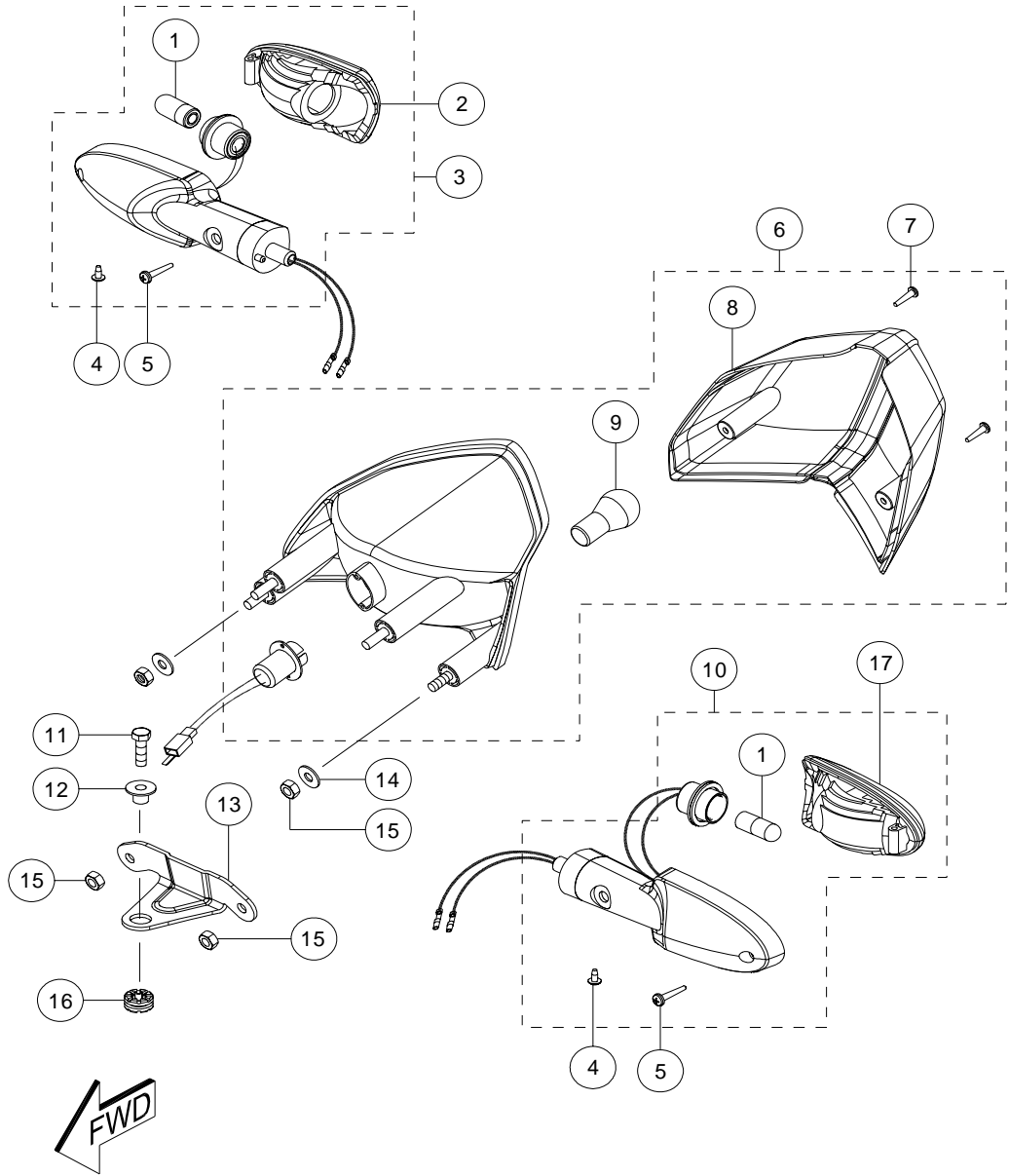
WIRING HARNESS ASSY.



SLNo.	PART No.	DESCRIPTION	NO.OFF		REMARKS
			FLAME	FLAME SR 125	
1	N4060060	FULL WAVE REGULATOR	1	1	
2	N4060160	TCI & CONTROL UNIT	1		
2A	N4060250	TCI UNIT		1	
3	N9160850	HORN	1	1	
4	N5200340	HEX SCREW M6x16	2	2	
5	0335578	PUNCHED WASHER 6.5x13x1	2	2	
6	N4160180	THROTTLE POTENTIOMETER	1	1	
7	N4210020	LOCK SET	1	1	
8	420518700	CRR PAN HEAD SCREW M6x20	2	2	
9	0330408	WAVE SPRING WASHER M6	2	2	
10	N4160040	STARTER RELAY	1	1	
11	N4160010	WIRING HARNESS	1	1	
12	N9160380	ELECTRONIC FLASHER UNIT	1	1	
13	N9160900	SWITCH ASSY. STOP LAMP	1	1	
14	N4110120	SPRING STOP LAMP	1	1	
15	N4120980	BATTERY HOLDER	1	1	
16	0335608	PUNCHED WASHER 6.5x16x1.2	2	2	
17	0332275	SCREW CRPH M6x16	2	2	
18	K06012000	BATTERY UNCHARGED	1	1	
19	N3060110	BATTERY BREATHER HOSE	1	1	
20	N3160060	BAND BATTERY	1	1	
21	N4210760	BLANK KEY	1	1	
22	N4060140	AC REGULATOR	1	1	AS REQUIRED

FIG.No. 30

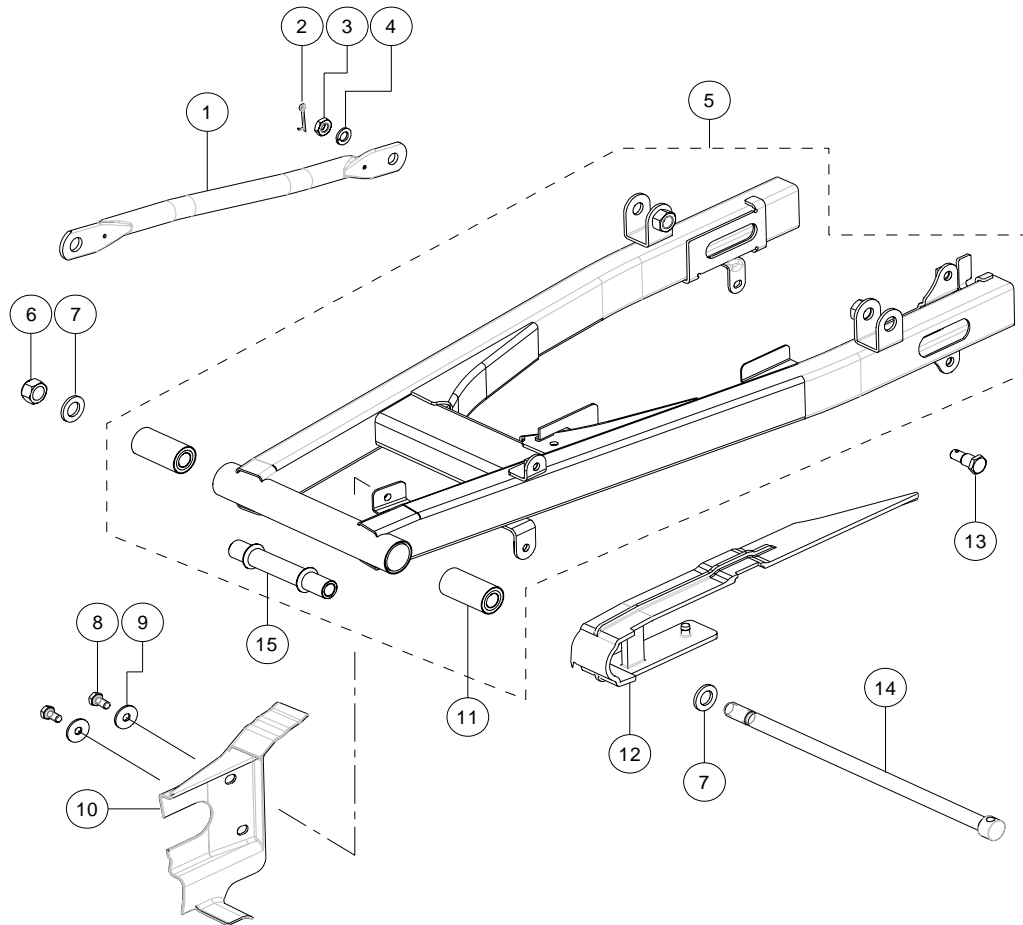
TAIL LAMP ASSEMBLY



SLNo.	PART No.	DESCRIPTION	NO.OFF		REMARKS
			FLAME	FLAME SR 125	
1	N3160210	BULB 12V 10W	2	2	
2	N9321280	LENS AND REFLECTOR RR RH	1	1	
3	N9160990	TURN SIGNAL LAMP ASSY.R RH	1	1	
4	N9320800	CRR PAN SCREW M6x12	2	2	
5	N3200130	CRR PAN HEAD TAP SCR 4.2x22	2	2	
6	N4160080	TAIL LAMP ASSY.	1	1	
7	K200300	CRR PAN HEAD TAP SCR 3.5x16	2	2	
8	N4160090	LENS RC LAMP	1	1	
9	K3160750	BULB 12V 21/5W	1	1	
10	N9160980	TURN SIGNAL LAMP ASSY. R LH	1	1	
11	420462700	HEX SCREW M6x20	1	1	
12	N8122610	CUP WASHER	1	1	
13	N4220500	BRKT TAIL LAMP	1	1	
14	0335608	PUNCHED WASHER 6.5x16x1.2	2	2	
15	420305700	HEX NUT M6	4	4	
16	N8220180	GROMMET TAIL COVER	1	1	
17	N9321270	LENS AND REFLECTOR RR LH	1	1	

FIG.No. 32

SWINGARM ASSEMBLY

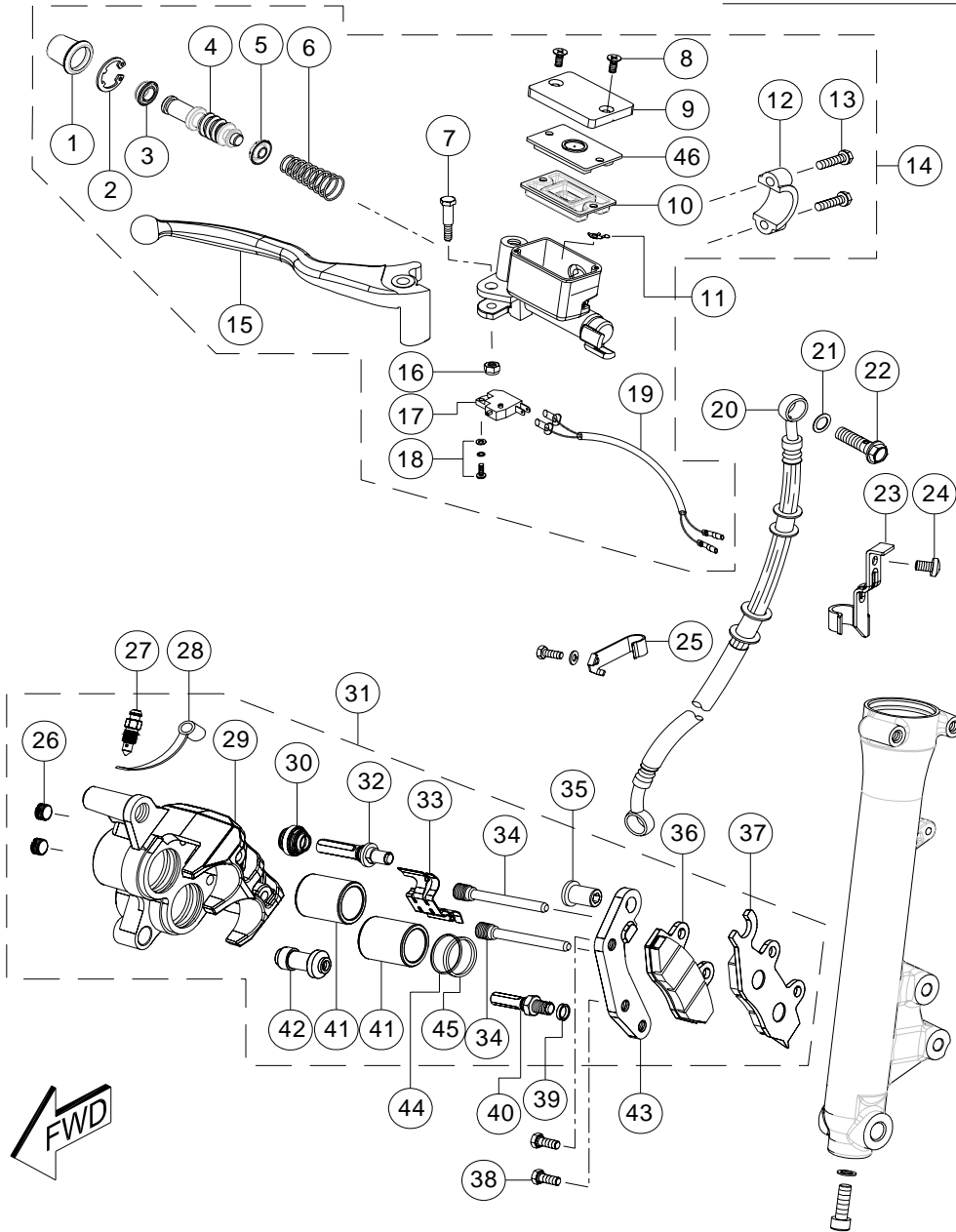


SLNo.	PART No.	DESCRIPTION	NO.OFF		REMARKS
			FLAME	FLAME SR 125	
1	M7090970	TORQUE LINK	1	1	
2	0330048	SPLIT PIN 2x20	1	1	
3	0334218	HEX NUT M8x1.25	1	1	
4	0330318	WAVE SPRING WASHER M8	1	1	
5	N4320210	SWINGARM ASSY.	1	1	
6	0334158	U NUT M12x1.25	1	1	
7	0335538	PUNCHED WASHER 12.5x22x2.3	2	2	
8	420452700	HEX SCREW M6x12	2	2	
9	N5200480	PUNCHED WASHER 6.5x20x1.6	2	2	
10	N4090520	DUST COVER CHAIN CASE	1	1	
11	N3090670	BUSH SWING ARM	2	2	
12	N4090510	BUFFER CHAIN DEFENCE	1	1	
13	N3090700	BOLT TORQUE LINK REAR	1	1	
14	N5111210	AXLE 12x275	1	1	
15	N4090500	SPACER COMP. SWING ARM	1	1	



FIG.No. 34

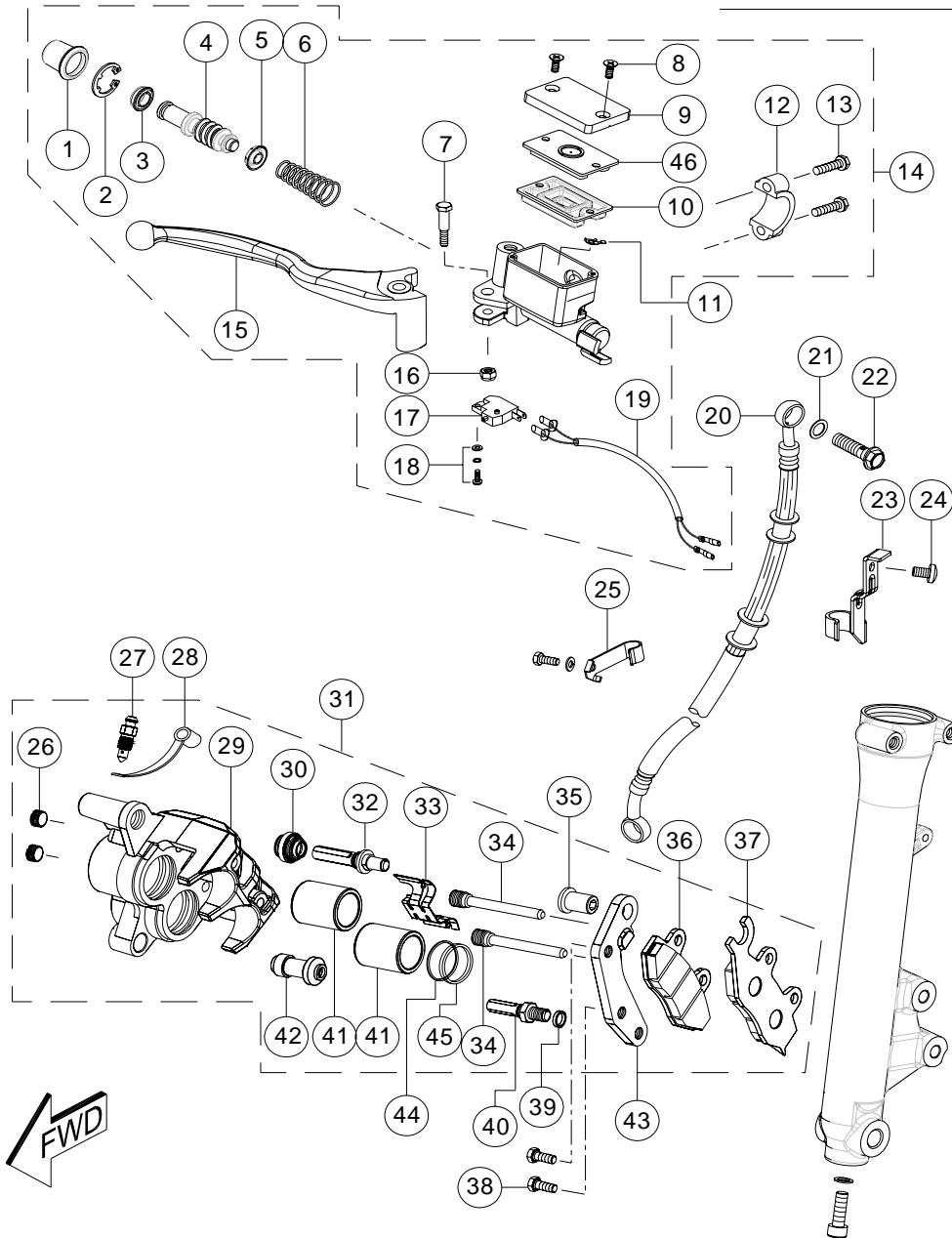
DISC BRAKE ASSEMBLY



SLNo.	PART No.	DESCRIPTION	NO.OFF		REMARKS
			FLAME	FLAME	
			DISC BREAK	SR 125	
1	---	BOOTS ASSY.	1	1	N9321490
2	---	SNAP RING	1	1	"
3	---	S CUP	1	1	"
4	---	PISTON	1	1	"
5	---	P CUP	1	1	"
6	---	SPRING	1	1	"
7	---	HAND LEVER BOLT	1	1	N9321500
8	---	SCREW RESERVOIR CAP	2	2	N9321530
9	---	RESERVOIR CAP	1	1	"
10	N9322010	DIAPHRAGM	1	1	N9321490
11	---	PROTECTOR	1	1	"
12	---	HOLDER	1	1	N9321510
13	---	HOLDER BOLT	1	1	"
14	N9111140	ASSY. MASTER CYLINDER	1	1	
15	---	LEVER RH	1	1	N9321500
16	---	FLANGE NUT	1	1	"
17	---	SWITCH ASSY.	1	1	N9321520
18	---	SCREW & WASHER	1	1	"
19	---	SUB HARNESS	1	1	"
20	---	HOSE COMP. BRAKE	1	1	N9321540
21	---	GASKET	4	4	
22	---	BANJO BOLT	2	2	"
23	---	CLAMP HOSE UNDER BRKT	1	1	

FIG.No. 34

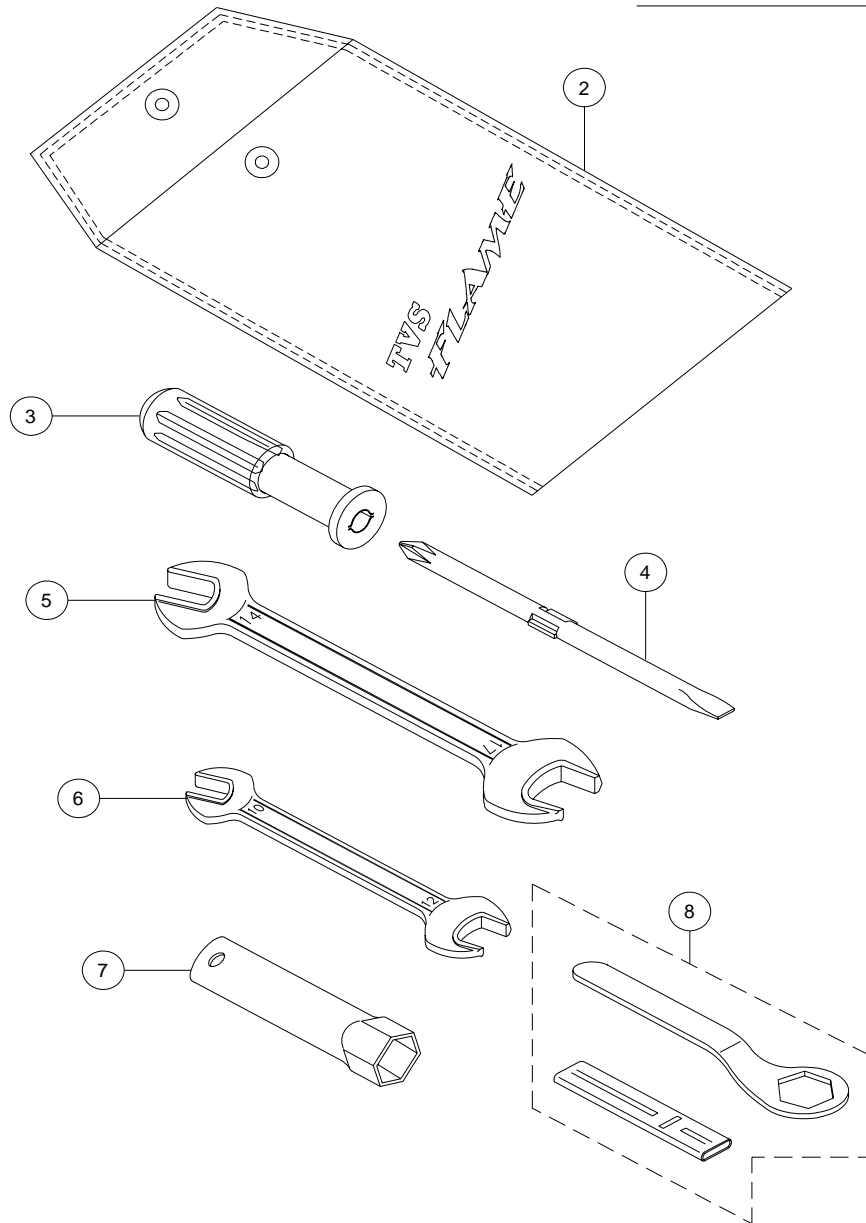
DISC BRAKE ASSEMBLY



SLNo.	PART No.	DESCRIPTION	NO.OFF		REMARKS
			FLAME	FLAME SR 125	
			DISC BREAK		
24	3257448	SCREW M6x10	1	1	
25	N9111220	CLAMP BRAKE HOSE	1	1	
26	---	PLUG PIN	1	1	
27	---	BLEEDER	1	1	N9321600
28	---	CAP BLEEDER	1	1	"
29	---	CALIPER BODY COMP.	1	1	
30	---	BOOT B	1	1	N9321550
31	N9111120	CALIPER ASSY.	1	1	
32	---	PIN BOLT A	1	1	N9321550
33	---	SPRING PAD	1	1	"
34	---	PIN HANGER	1	1	"
35	---	INNER HEX NUT	1	1	N9321570
36	---	PAD COMP. INNER	1	1	N9111300
37	---	PAD COMP. OUTER	1	1	"
38	U2200010	HEX FLANGE BOLT M8x27	1	1	
39	---	SPRING WASHER	1	1	N9321570
40	---	PIN BOLT B	1	1	N9321550
42	---	PISTON CALIPER	1	1	"
42	---	BUSH BOOT PIN	1	1	"
43	---	BRKT COMP. FRONT	1	1	N9321570
44	---	DUST SEAL 1	4	4	N9321550
45	---	DUST SEAL 2	2	2	"

FIG.No. 35

TOOL KIT ASSEMBLY

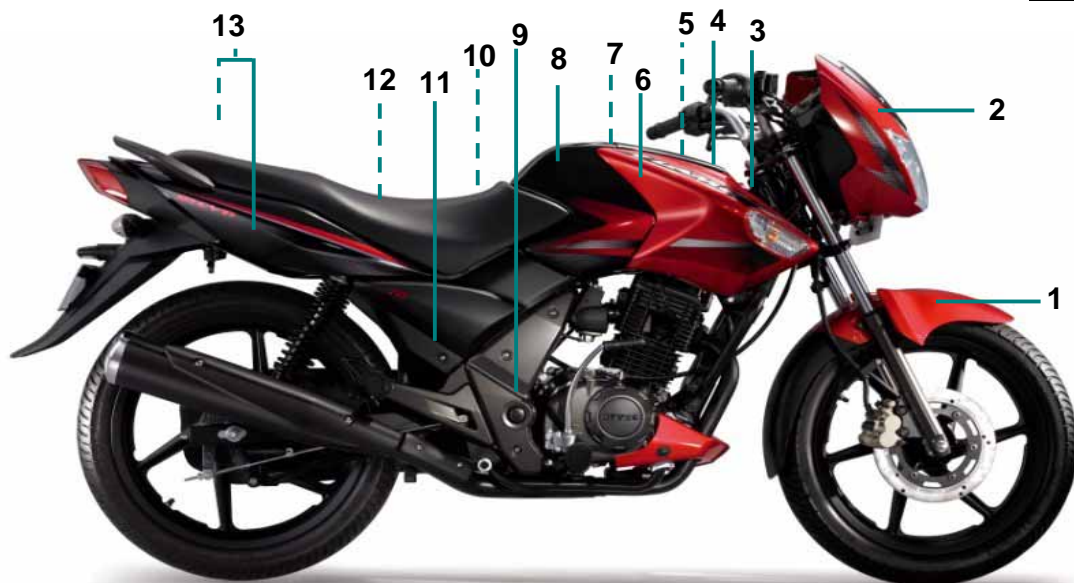


SLNo.	PART No.	DESCRIPTION	NO.OFF		REMARKS
			FLAME	FLAME SR 125	
1	N4210740	TOOL KIT	1	1	
2	--	TOOL BAG	1	1	
3	--	GRIP DRIVER	1	1	
4	--	BIT (+) (-)	1	1	
5	--	OPEN ENDED SPANNER 14x17	1	1	
6	--	OPEN ENDED SPANNER 10x12	1	1	
7	--	BOX SPANNER 16	1	1	
8	--	RING SPANNER	1	1	

FWD

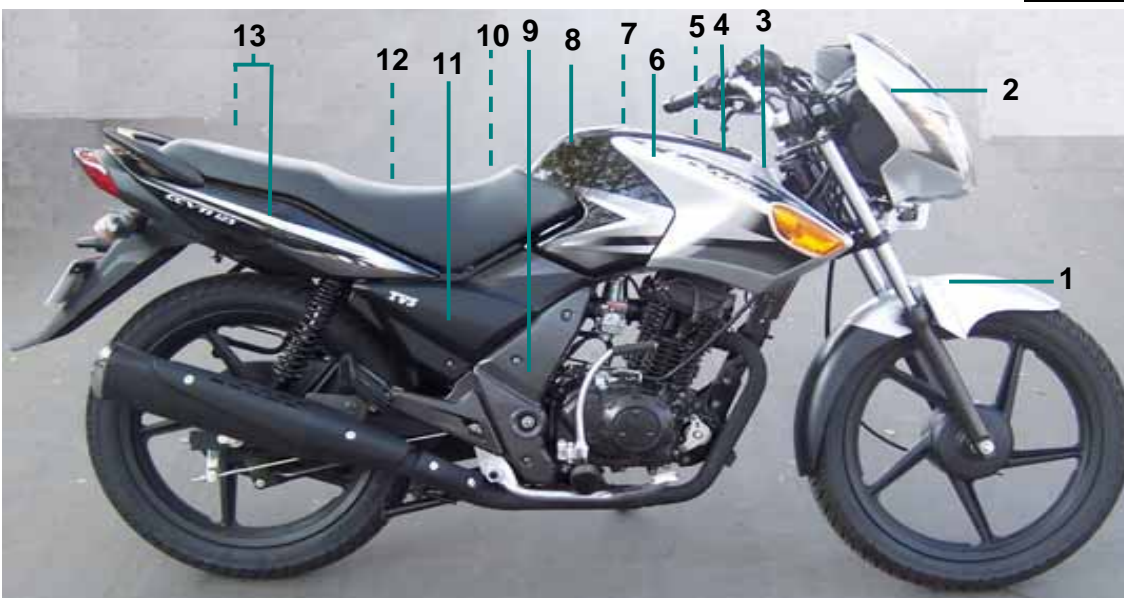
FLAME OLD

RED



SI. NO.	PART NO.	DESCRIPTION
1	N42200102H	FENDER FRONT RED
2	N42201302H	HOUSING HEADLAMP FRONT RED
3	N42203692H	COVER FUEL TANK CENTER RED
4	N42203392H	COVER FUEL TANK INNER RH RED
5	N42203292H	COVER FUEL TANK INNER LH RED
6	N42203102H	COVER FUEL TANK RH RED
7	N42203002H	COVER FUEL TANK LH RED
8	N41400204D	TANK COMP FUEL BLACK
9	N42204307D	COVER FRAME BOTTOM RH T. GREY
10	N42204207D	COVER FRAME BOTTOM LH T. GREY
11	N42201005D	COVER FRAME RH BLACK
12	N42200905D	COVER FRAME LH BLACK
13	N42206304D	COVER SEAT TAIL ASSY BLACK
14	N42207892H	ENGINE GUARD RED
15	N4210720	TAPE SET RED

SILVER



SI. NO.	PART NO.	DESCRIPTION
1	N4220010C	FENDER FRONT SILVER
2	N4220130C	HOUSING HEADLAMP FRONT SILVER
3	N4220369C	COVER FUEL TANK CENTER SILVER
4	N4220339C	COVER FUEL TANK INNER RH SILVER
5	N4220329C	COVER FUEL TANK INNER LH SILVER
6	N4220310C	COVER FUEL TANK RH SILVER
7	N4220300C	COVER FUEL TANK LH SILVER
8	N41400204DA	TANK COMP FUEL BLACK
9	N42204307D	COVER FRAME BOTTOM RH T. GREY
10	N42204207D	COVER FRAME BOTTOM LH T. GREY
11	N42201005D	COVER FRAME RH BLACK
12	N42200905D	COVER FRAME LH BLACK
13	N42206304DA	COVER SEAT TAIL ASSY BLACK
14	N4220789C	ENGINE GUARD SILVER
15	N4210460	TAPE SET SILVER

BLACK



SI. NO.	PART NO.	DESCRIPTION
1	N42200104D	FENDER FRONT BLACK
2	N42201304D	HOUSING HEADLAMP FRONT BLACK
3	N42203694D	COVER FUEL TANK CENTER BLACK
4	N42203394D	COVER FUEL TANK INNER RH BLACK
5	N42203294D	COVER FUEL TANK INNER LH BLACK
6	N42203104D	COVER FUEL TANK RH BLACK
7	N42203004D	COVER FUEL TANK LH BLACK
8	N41400204DA	TANK COMP FUEL BLACK
9	N42204307D	COVER FRAME BOTTOM RH T. GREY
10	N42204207D	COVER FRAME BOTTOM LH T. GREY
11	N42201005D	COVER FRAME RH BLACK
12	N42200905D	COVER FRAME LH BLACK
13	N42206304DA	COVER SEAT TAIL ASSY BLACK
14	N42207894D	ENGINE GUARD BLACK
15	N4210870	TAPE SET BLACK

METALLIC BLUE



SI. NO.	PART NO.	DESCRIPTION
1	N42200101B	FENDER FRONT M.BLUE
2	N42201301B	HOUSING HEADLAMP FRONT M.BLUE
3	N42203691B	COVER FUEL TANK CENTER M.BLUE
4	N42203391B	COVER FUEL TANK INNER RH M.BLUE
5	N42203291B	COVER FUEL TANK INNER LH M.BLUE
6	N42203101B	COVER FUEL TANK RH M.BLUE
7	N42203001B	COVER FUEL TANK LH M.BLUE
8	N41400204DC	TANK COMP FUEL M.BLUE
9	N42204307D	COVER FRAME BOTTOM RH T. GREY
10	N42204207D	COVER FRAME BOTTOM LH T. GREY
11	N42201005D	COVER FRAME RH BLACK
12	N42200905D	COVER FRAME LH BLACK
13	N42206301B	COVER SEAT TAIL ASSY M.BLUE
14	N42207891B	ENGINE GUARD M.BLUE
15	N4210990	TAPE SET M.BLUE

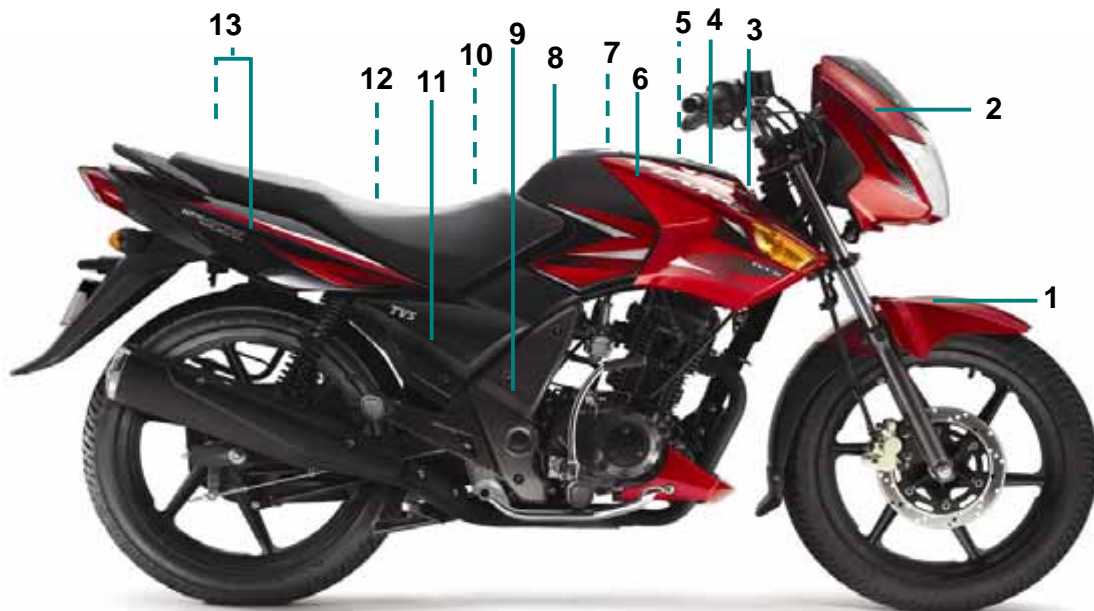
ORANGE



SI. NO.	PART NO.	DESCRIPTION
1	N42200109G	FENDER FRONT ORANGE
2	N42201309G	HOUSING HEADLAMP FRONT ORANGE
3	N42203699G	COVER FUEL TANK CENTER ORANGE
4	N42203399G	COVER FUEL TANK INNER RH ORANGE
5	N42203299G	COVER FUEL TANK INNER LH ORANGE
6	N42203109G	COVER FUEL TANK RH ORANGE
7	N42203009G	COVER FUEL TANK LH ORANGE
8	N41400204DD	TANK COMP FUEL ORANGE
9	N42204307D	COVER FRAME BOTTOM RH T. GREY
10	N42204207D	COVER FRAME BOTTOM LH T. GREY
11	N42201005D	COVER FRAME RH BLACK
12	N42200905D	COVER FRAME LH BLACK
13	N42206304DC	COVER SEAT TAIL ASSY ORANGE
14	N42207899G	ENGINE GUARD ORANGE
15	N4211100	TAPE SET ORANGE

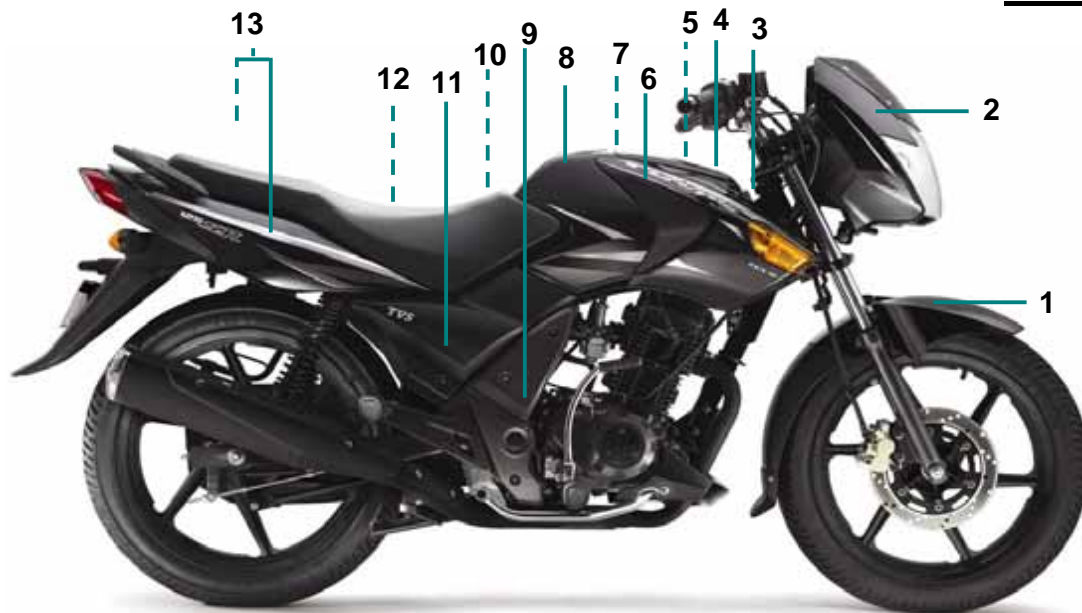
FLAME SR 125 NEW

RED



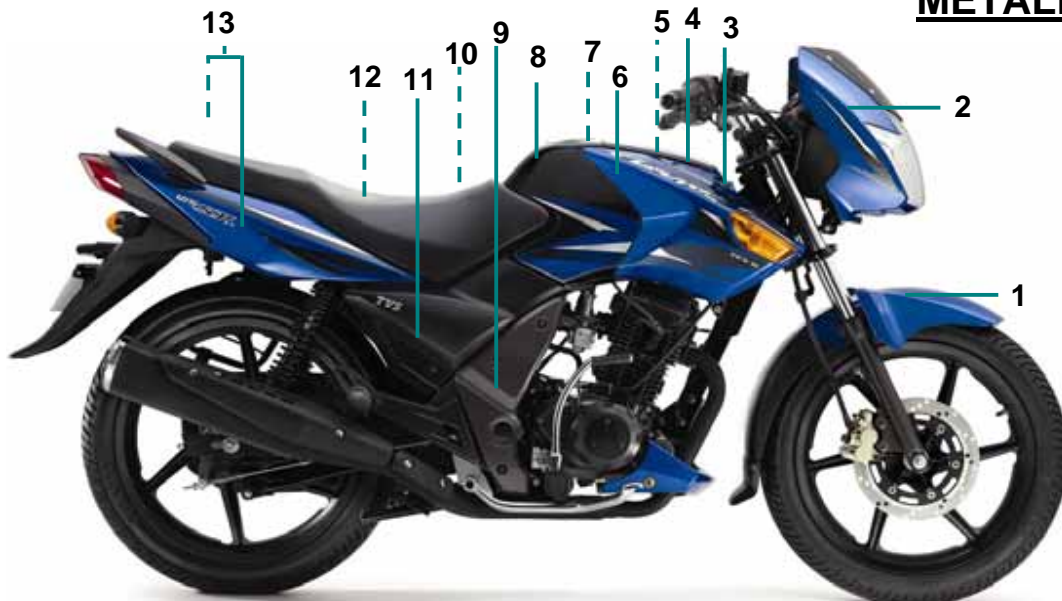
SI. NO.	PART NO.	DESCRIPTION
1	N42200102H	FENDER FRONT RED
2	N42201302HA	HOUSING HEADLAMP FRONT RED
3	N42203692H	COVER FUEL TANK CENTER RED
4	N42203392H	COVER FUEL TANK INNER RH RED
5	N42203292H	COVER FUEL TANK INNER LH RED
6	N42203102HA	COVER FUEL TANK RH RED
7	N42203002HA	COVER FUEL TANK LH RED
8	N41400202HA	TANK COMP FUEL RED
9	N42204307D	COVER FRAME BOTTOM RH T. GREY
10	N42204207D	COVER FRAME BOTTOM LH T. GREY
11	N42201005D	COVER FRAME RH BLACK
12	N42200905D	COVER FRAME LH BLACK
13	N42206302HA	COVER SEAT TAIL ASSY RED
14	N42207892H	ENGINE GUARD RED
15	N4211260	TAPE SET RED

BLACK



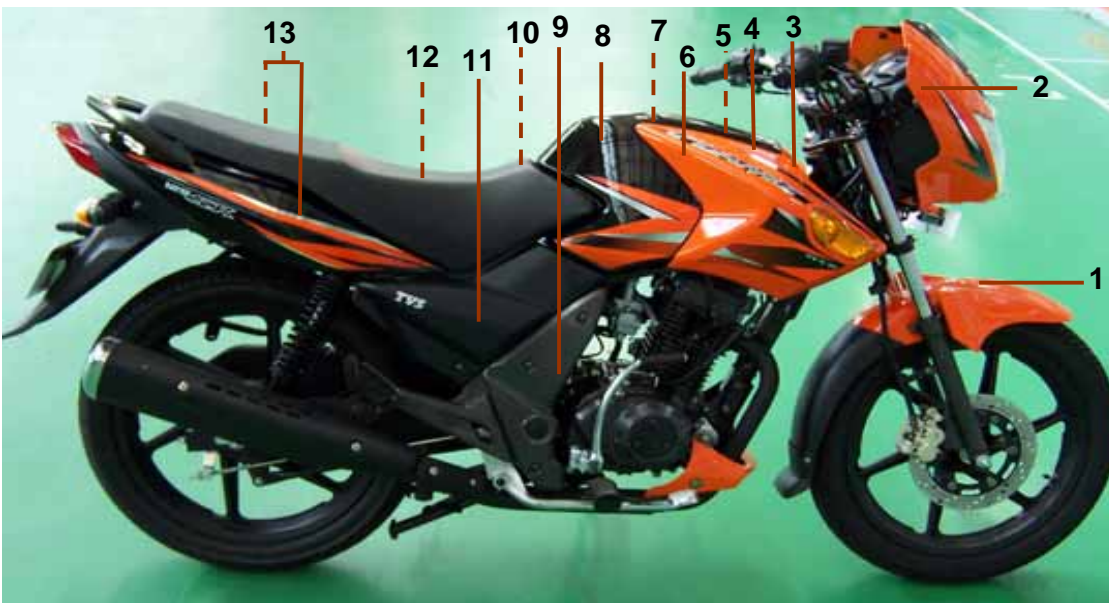
SI. NO.	PART NO.	DESCRIPTION
1	N42200104D	FENDER FRONT BLACK
2	N42201304DA	HOUSING HEADLAMP FRONT BLACK
3	N42203694D	COVER FUEL TANK CENTER BLACK
4	N42203394D	COVER FUEL TANK INNER RH BLACK
5	N42203294D	COVER FUEL TANK INNER LH BLACK
6	N42203104DA	COVER FUEL TANK RH BLACK
7	N42203004DA	COVER FUEL TANK LH BLACK
8	N41400204DF	TANK COMP FUEL BLACK
9	N42204307D	COVER FRAME BOTTOM RH T. GREY
10	N42204207D	COVER FRAME BOTTOM LH T. GREY
11	N42201005D	COVER FRAME RH BLACK
12	N42200905D	COVER FRAME LH BLACK
13	N42206304DD	COVER SEAT TAIL ASSY BLACK
14	N42207894D	ENGINE GUARD BLACK
15	N4211370	TAPE SET BLACK

METALLIC BLUE



SI. NO.	PART NO.	DESCRIPTION
1	N42200101B	FENDER FRONT M.BLUE
2	N42201301BA	HOUSING HEADLAMP FRONT M.BLUE
3	N42211401B	COVER FUEL TANK CENTER M.BLUE
4	N42203391B	COVER FUEL TANK INNER RH M.BLUE
5	N42203291B	COVER FUEL TANK INNER LH M.BLUE
6	N42203101BA	COVER FUEL TANK RH M.BLUE
7	N42203001BA	COVER FUEL TANK LH M.BLUE
8	N41400201BA	TANK COMP FUEL M.BLUE
9	N42204307D	COVER FRAME BOTTOM RH T. GREY
10	N42204207D	COVER FRAME BOTTOM LH T. GREY
11	N42201005D	COVER FRAME RH BLACK
12	N42200905D	COVER FRAME LH BLACK
13	N42206301BA	COVER SEAT TAIL ASSY M.BLUE
14	N42207891B	ENGINE GUARD M.BLUE
15	N4211490	TAPE SET M.BLUE

ORANGE



SI. NO.	PART NO.	DESCRIPTION
1	N42200109G	FENDER FRONT ORANGE
2	N42201309GA	HOUSING HEADLAMP FRONT ORANGE
3	N42203699G	COVER FUEL TANK CENTER ORANGE
4	N42203399G	COVER FUEL TANK INNER RH ORANGE
5	N42203299G	COVER FUEL TANK INNER LH ORANGE
6	N42203109GA	COVER FUEL TANK RH ORANGE
7	N42203009GA	COVER FUEL TANK LH ORANGE
8	N41400209GA	TANK COMP FUEL ORANGE
9	N42204307D	COVER FRAME BOTTOM RH T. GREY
10	N42204207D	COVER FRAME BOTTOM LH T. GREY
11	N42201005D	COVER FRAME RH BLACK
12	N42200905D	COVER FRAME LH BLACK
13	N42206309GA	COVER SEAT TAIL ASSY ORANGE
14	N42207899G	ENGINE GUARD ORANGE
15	N4211710	TAPE SET ORANGE

TVS FLAME KIT & KIT CONTENTS

S.NO	KIT PART NO	KIT DESCRIPTION	MODEL	KIT CONTENTS			QTY
				S.NO	PART NO	DESCRIPTION	
1	N9321550	KIT CALIPER (MAJOR)	FLAME/SR125	1		BUSH BOOT, PIN	1
				2		BOOT,B	1
				3		PAD SPRING	1
				4		DUST SEAL	2
				5		PLUG	1
				6		PIN HANGER	2
				7		PLUG,PIN	2
				8		PISTON, CALIPER	2
				9		SEAL , PISTON	2
2	N9321560	KIT CALIPER (MINOR)	FLAME/SR125	1		BOOT B	1
				2		CAP BLEEDER	1
				3		SEAL - PISTON	2
				4		BUSH BOOT PIN	1
				5		DUST SEAL	2
3	N9321570	KIT CARRIER ASSY(MAJOR)	FLAME/SR125	1		BRACKET COMP. FRONT APACHE	1
				2		PIN BOLT, B	1
				3		PIN BOLT, A	1
				4		INNER HEXAGON NUT	1
				5		SPRING WASHER	1
4	N9321580	KIT CARRIER ASSY (MINOR)	FLAME/SR125	1		BOOT,B	1
				2		BUSH BOOT PIN	1
5	N9111300	KIT PAD ASSY	FLAME/SR125	1		PAD COMP OUTER	1
				2		PAD COMP INNER	1
6	N9321600	KIT BLEEDER	FLAME/SR125	1		BLEEDER	1
				2		CAP BLEEDER	1
7	N9321490	KIT MASTER CYLINDER(MAJOR)	FLAME/SR125	1		DIAPHRAGM	1
				2		O RING	1
				3		GAUGE COMP.LEVEL	1
				4		SPRING	1
				5		CIRCLIP	1
				6		BOOT COMP	1
				7		PISTON.FRONT	1

				8		CUP SECONDARY	1
				9		CUP PRIMARY	1
				10		PROTECTOR	1
8	N9321500	KIT LEVER	FLAME/SR125	1		HAND LEVER APACHE	1
				2		FLANGE NUT .6MM	1
				3		BOLT BRAKE LEVER	1
9	N9321510	KIT HOLDER	FLAME/SR125	1		HOLDER	1
				2		HOLDER BOLT	2
10	N9321520	KIT SWITCH ASSY	FLAME/SR125	1		SWITCH ASSY	1
				2		SUB HARNESS	1
				3		SCREW & WASHER	1
11	N9321530	KIT RESERVOIR	FLAME/SR125	1		PLATE.DIAPHRAGM	1
				2		RESERVOIR CAP	1
				3		SCREW PLATE.M4x12	2
12	N9321540	KIT HOSE ASSY	FLAME/SR125	1		HOSE ASSEMBLY APACHE	1
				2		BANJO BOLT	2
				3		GASKET	4
13	N4011820	CYLINDER HEAD ASSY. KIT	FLAME/SR125	1	N4010860	CYLINDER HEAD COMP	1
				2	N4010280	VALVE INTAKE	2
				3	N4010290	VALVE EXHAUST	1
				4	N4011439	VALVE SEAT SPRING NP.090	1
				5	N4011770	VALVE SEAT SPRING	2
				6	N4011720	SPRING VALVE INTAKE NP.090	2
				7	M1010620	SEAL VALVE STEM OIL	3
				8	M1010070	RING VALVE GUIDE SNAP	3
				9	N4010300	SPRING VALVE	1
				10	N4010310	RETAINER VALVE SPRING	3
				11	S1010320	COTTER VALVE	6
				12	N4011280	HSG CAMSHAFT ASSY N90	1
				13	K3200880	SHIM 17x24x0.5	1
				14	N4011390	CAMSHAFT COMP N90	1
				15	M7010810	THRUST WASHER	1
				16	N4011350	ROCKER ARM COMP INTAKE	1
				17	N4011370	ROCKER ARM COMP EXHAUST	1
				18	N4010670	NUT TAPPET ADJUSTING M6	3
				19	N4010680	ADJUSTING SCREW COMP M6	3

				20	N4010230	PLATE OIL RETAINER	1
				21	M1200940	HEX SCREW M5x10 8.8 ZNG	3
				22	N4010340	SHAFT VALVE ROCKER ARM	2
				23	N4011630	SPARK PLUG NP.090	1
				24	S1010130	WASHER CYL. HEAD	3
				25	S1200270	TUBULAR DOWEL	2
14	N9320390	RING SET STD	FLAME/SR125	1	N9010120	TOP RING PISTON STD	1
				2	N9010130	RING PISTON BOTTOM STD	1
				3	N9010140	OIL RING SET PISTON STD	1
15	N9320320	RING SET I O/S	FLAME/SR125	1	N9320110	TOP RING PISTON I O/S	1
				2	N9320130	RING PISTON BOTTOM I O/S	1
				3	N9320150	OIL RING SET PISTON I O/S	1
16	N9320330	RING SET II O/S	FLAME/SR125	1	N9320120	TOP RING PISTON II O/S	1
				2	N9320140	RING PISTON BOTTOM II O/S	1
				3	N9320160	OIL RING PISTON SET II O/S	1
17	N4020380	PISTON KIT STD	FLAME	1	N4020170	PISTON STD	1
				2	N9320390	RING SET PISTON STD	1
				3	M1010130	PISTON PIN	1
				4	M1010440	CIRCLIP 17X1.0	2
18	N4020390	PISTON KIT 1 O/S	FLAME	1	N4320020	PISTON I O/S	1
				2	N9320320	RING SET PISTON I O/S	1
				3	M1010130	PISTON PIN	1
				4	M1010440	CIRCLIP 17x1.0 PISTON PIN	2
19	N4020400	PISTON KIT II O/S	FLAME	1	N4320030	PISTON II O/S	1
				2	N9320330	RING SET PISTON II O/S	1
				3	M1010130	PISTON PIN	1
				4	M1010440	CIRCLIP 17X1.0	2
20	N4320220	CYLINDER BLOCK & PISTON KIT	FLAME	1	N40106407D	CYLINDER COMP.	1
				2	N4020170	PISTON STD	1
				3	N9320390	RING SET PISTON STD	1
				4	M1010130	PIN PISTON	1
				5	M1010440	CIRCLIP PISTON PIN	2
				6	N4010650	GASKET CYLINDER HEAD	1
				7	N4010660	GASKET CYLINDER	1
17	N4321150	PISTON KIT STD -TVS FLAME SR 125	SR 125	1	N4020480	PISTON STD	1
				2	N9320390	RING SET PISTON STD	1

17	N4321150	PISTON KIT STD -TVS FLAME SR 125	SR 125	3	M1010130	PISTON PIN	1
				4	M1010440	CIRCLIP 17X1.0	2
18	N4321160	PISTON KIT 1 O/S -TVS FLAME SR 125	SR 125	1	N4321200	PISTON I O/S	1
				2	N9320320	RING SET PISTON I O/S	1
				3	M1010130	PISTON PIN	1
				4	M1010440	CIRCLIP 17x1.0 PISTON PIN	2
19	N4321170	PISTON KIT II O/S -TVS FLAME SR 125	SR 125	1	N4321210	PISTON II O/S	1
				2	N9320330	RING SET PISTON II O/S	1
				3	M1010130	PISTON PIN	1
				4	M1010440	CIRCLIP 17X1.0	2
20	N4321190	CYLINDER BLK & PISTON KIT -FLAME SR 125	SR 125	1	N40106407D	CYLINDER COMP.	1
				2	N4020480	PISTON STD	1
				3	N9320390	RING SET PISTON STD	1
				4	M1010130	PIN PISTON	1
				5	M1010440	CIRCLIP PISTON PIN	2
				6	N4010650	GASKET CYLINDER HEAD	1
				7	N4010660	GASKET CYLINDER	1
21	N4320230	ENGINE VALVE KIT	FLAME/SR125	1	M1010620	SEAL VALVE STEM OIL	3
				2	N4010280	VALVE INTAKE	2
				3	N4010290	VALVE EXHAUST	1
				4	N4010300	SPRING VALVE EXHAUST	1
				5	N4010310	RETAINER VALVE SPRING	3
				6	N4011439	VALVE SEAT SPRING EXHAUST	1
				7	N4011720	SPRING VALVE INTAKE	2
				8	N4011770	SLEEVE SEAT SPRING INTAKE	2
				9	S1010320	COTTER VALVE	6
22	N4320260	OIL SEAL KIT	FLAME/SR125	1	M1010620	SEAL VALVE STEM OIL	3
				2	M7200490	OIL SEAL 12X18X4	1
				3	N2081720	OIL SEAL GEAR SHIFT SHAFT	1
				4	N4040530	SEAL AIR CLEANER	1
				5	S1200490	SEAL KICK SHAFT SHAFT	1
				6	T4080540	OIL SEAL	1
23	N4320320	O RING KIT ENGINE	FLAME/SR125	1	K320710	O RING GUIDE HOLDER	1
				2	K3320490	O RING	2
				3	M1080450	O RING 22.7 X 3.1	1
				4	S1200860	O RING	1

24	N4320810	MAJOR KIT - CARBURETTOR	FLAME	1	N4320340	JET HOLDER	1
				2	N4320330	JET NEEDLE	1
				3	N2320340	E RING, JET NEEDLE	1
				4	N4320660	WASHER JET NEEDLE	1
				5	N4320520	SEAL BOWL	1
				6	N4320600	GUIDE HOLDER ASSY.	1
				7	K320720	SPRING STARTER	1
				8	K320680	PLUNGER STARTER	1
				9	K320710	O RING STARTER	1
25	N4320430	CHAIN & SPROCKET KIT	FLAME/SR125	1	N4110170	CHAIN ASSEMBLY 118 LINKS	1
				2	N3080160	SPROCKET FRONT 13T	1
				3	N4110340	SPROCKET REAR 45T	1
				4	1181160	WASHER REAR SPROCKET	2
26	N4320300	STEERING CONE KIT	FLAME/SR125	1	420404000	3/16 BALLS	22
				2	S1101150	RACE STEERING OUTER	1
				3	S1125290	RACE STEERING INNER	1
				4	K3200450	BALL DIA 6.35	19
				5	N8120910	CONE BOTTOM	1
				6	K3100590	CUP BOTTOM	1
				7	M7101170	DUST SEAL STEERING STEM	1
				8	N8120920	DUST SEAL STEERING LOWER	1
27	N4320930	KIT PROP STAND	FLAME/SR125	1	N9121050	PROP STAND COMP	1
				2	M7121530	SPRING PROP STAND	1
				3	0334548	HEX NUT M8 8 ZNB	1
				4	N9200010	HEX BOLT M8 x 1.25 x 30	1
28	N4030920	CRANK CASE ASSY LH	FLAME/SR125	1	N4030850	CRANKCASE COMP LH	1
				2	N2080920	PIPE BREATHER	1
29	N4030930	CRANK CASE ASSY RH	FLAME/SR125	1	N4030870	CRANKCASE COMP RH	1
				2	N2030219	PLUG OIL HOLE	1
				3	M7081870	BEARING BUSH CAM GEAR SHIFT	1
30	N4320270	SET PLATE CLUTCH DRIVE	FLAME/SR125	1	N3070010	PLATE CLUTCH DRIVE	4
31	N4320280	SET PLATE CLUTCH DRIVEN	FLAME/SR125	1	N3070020	PLATE CLUTCH DRIVEN	3
32	N4320920	CHAIN CASE SET	FLAME/SR125	1	N4090320	CHAIN CASE COMP LOWER	1
				2	N4090310	CHAIN CASE COMP UPPER	1