

**FIG. 01 FRONT COVER**



NO.	PART NO.	NAME	Q'ty	REMARK
01	HT150T-11-01-01	Windscreen assy	1	
02	HT150T-11-01-02	Speedometer cover	1	
03	HT150T-11-01-03	Steering handle	1	
04	HT150T-11-01-04	R. grip handle	1	
05	HT150T-11-01-05	L. grip handle	1	
06	HT150T-11-01-06	Bolt 10×45	1	
07	HT150T-11-01-07	Nut, locked 10	1	
08	HT150T-11-01-08	Under, speedometer cover	1	
09	HT150T-11-01-09	Screw 4.2×12	4	
10	HT150T-11-01-10	Screw 4.8×12	6	
11	HT150T-11-01-11	Screw 4.8×16	1	

**FIG. 02 FRONT COVER ASSY**



NO.	PART NO.	NAME	Q'ty	REMARK
01	HT150T-11-02-01	Upper, front cover	1	
02	HT150T-11-02-02	Front cover	1	
03	HT150T-11-02-03	R. turnign signal 12V/10W	1	
04	HT150T-11-02-04	L. turning signal 12V/10W	1	
05	HT150T-11-02-05	R. under front cover	1	
06	HT150T-11-02-06	L. under front cover	1	
07	HT150T-11-02-07	Headlight 12V/35W/35W	1	
08	HT150T-11-02-08	Bolt 6×16	1	
09	HT150T-11-02-09	Screw 4.2×12	18	
10	HT150T-11-02-10	Screw 4.8×16	14	
11	HT150T-11-02-11	Clip	16	



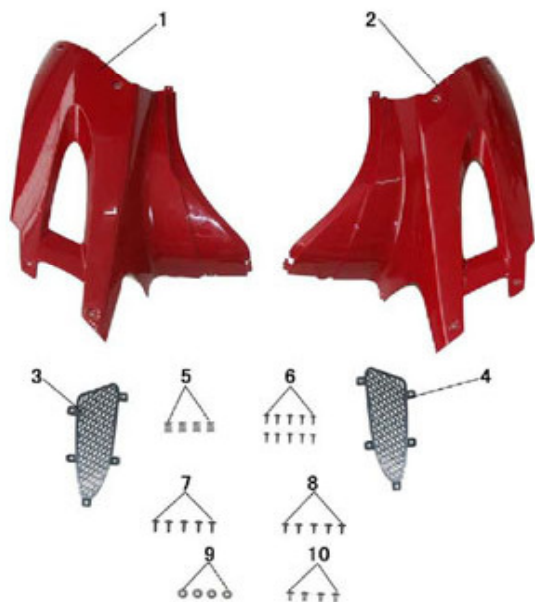
**FIG. 03 FENDER**

NO.	PART NO.	NAME	Q'ty	REMARK
01	HT150T-11-03-01	Middel fender	1	
02	HT150T-11-03-02	Front fender	1	
03	HT150T-11-03-03	Front shroud	2	
04	HT150T-11-03-04	R. bracket	1	
05	HT150T-11-03-05	L. bracket	1	
06	HT150T-11-03-06	Bolt 6×16	6	
07	HT150T-11-03-07	Bolt 6×16	2	
08	HT150T-11-03-08	Screw 4.8×16	14	
09	HT150T-11-03-09	Clip	8	



**FIG. 04 STAND FOOTREST**

NO.	PART NO.	NAME	Q'ty	REMARK
01	HT150T-11-04-01	Front box	1	
02	HT150T-11-04-02	Hook	1	
03	HT150T-11-04-03	Bolt 6×22	1	
04	HT150T-11-04-04	Cover, Vin NO.	1	
05	HT150T-11-04-05	L. cover box	1	
06	HT150T-11-04-06	R. cover box	1	
07	HT150T-11-04-07	Footrest	1	
08	HT150T-11-04-08	Bolt 6×14	6	
09	HT150T-11-04-09	Battery cover	1	
10	HT150T-11-04-10	Washer	1	
11	HT150T-11-04-11	Lock, batter cover	1	



**FIG. 05 SIDE COVER**

NO.	PART NO.	NAME	Q'ty	REMARK
01	HT150T-11-05-01	R. side cover	1	
02	HT150T-11-05-02	L. side cover	1	
03	HT150T-11-05-03	R. grip	1	
04	HT150T-11-05-04	L. grip	1	
05	HT150T-11-05-05	Clip	4	
06	HT150T-11-05-06	Screw 4.2×12	10	
07	HT150T-11-05-07	Screw 4.8×12	5	
08	HT150T-11-05-08	Screw 4.2×16	5	
09	HT150T-11-05-09	Nut 6	4	
10	HT150T-11-05-10	Bolt 6×14	4	



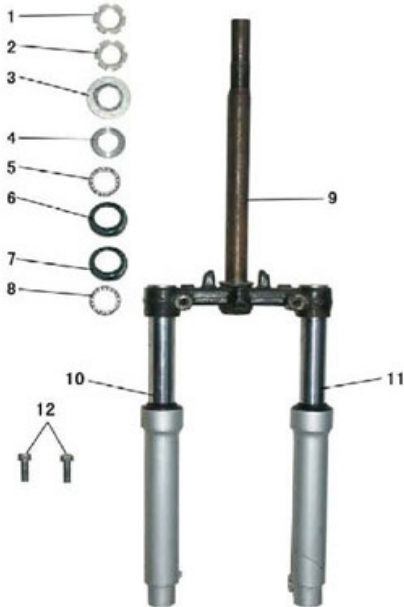
**FIG. 06 REAR SIDE COVER**

NO.	PART NO.	NAME	Q'ty	REMARK
01	HT150T-11-06-01	R. decorative plate	1	
02	HT150T-11-06-02	L. decorative plate	1	
03	HT150T-11-06-03	Screw 4.2×12	3	
04	HT150T-11-06-04	Clip	1	
05	HT150T-11-06-05	Screw 4.8×16	2	
06	HT150T-11-06-06	Bolt 6×20	2	

**FIG. 07 SEAT**



NO.	PART NO.	NAME	Q'ty	REMARK
01	HT150T-11-07-01	Seat	1	
02	HT150T-11-07-02	Storage box	1	
03	HT150T-11-07-03	Cable, seat	1	
04	HT150T-11-07-04	Cover, storage box	1	
05	HT150T-11-07-05	Seat axis	1	
06	HT150T-11-07-06	Nut 6	3	
07	HT150T-11-07-07	Bracket, seat	3	
08	HT150T-11-07-08	Bracket,Seat lock	3	
09	HT150T-11-07-09	Bolt 6×16	4	
10	HT150T-11-07-10	Screw 4.8×16	2	
11	HT150T-11-07-11	Screw 4.2×12	1	
12	HT150T-11-07-12	Bolt 6×12	4	
13	HT150T-11-07-13	Spring clip	1	
14	HT150T-11-07-14	Lock	1	
15	HT150T-11-07-15	Bracket, key	1	



**FIG. 08 STEELING STEAM &FR.SHOCK ABSORBER**

NO.	PART NO.	NAME	Q'ty	REMARK
01	HT150T-11-08-01	Nut locked A	1	
02	HT150T-11-08-02	Nut locked B	1	
03	HT150T-11-08-03	Dustproof cover	1	
04	HT150T-11-08-04	Upeer cover, bearing race	1	
05	HT150T-11-08-05	Upper balls, bearing	1	
06	HT150T-11-08-06	Under cover, bearing race	1	
07	HT150T-11-08-07	Upper cover, bearing race	1	
08	HT150T-11-08-08	Under balls. Bearing	1	
09	HT150T-11-08-09	Steering stem	1	
10	HT150T-11-08-10	R. fr absorber	1	
11	HT150T-11-08-11	L. fr absorber	1	
12	HT150T-11-08-12	Bolt 10×30	2	



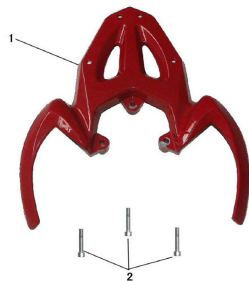
**FIG.09 REAR MIRROR**

NO.	PART NO.	NAME	Q'ty	REMARK
01	HT150T-11-09-01	R. rear mirror	1	5.17(EEC)
02	HT150T-11-09-02	L. rear mirror	1	
03	HT150T-11-09-03	Adusting nut	2	



**FIG.10 TAILLIGHT UNIT ASSY**

NO.	PART NO.	NAME	Q'ty	REMARK
01	HT150T-11-10-01	Rear fender	1	
02	HT150T-11-10-02	Position light	1	
03	HT150T-11-10-03	Taillight	1	
04	HT150T-11-10-04	Clip	2	
05	HT150T-11-10-05	Nut 8	2	
06	HT150T-11-10-06	L. rear turning signal	1	
07	HT150T-11-10-07	R. rear turning signal	1	
08	HT150T-11-10-08	Nut6	6	
09	HT150T-11-10-09	Nut6	1	
10	HT150T-11-10-10	Rear reflector	1	
11	HT150T-11-10-11	Screw 4.8X16	2	
12	HT150T-11-10-12	Screw 4.2X12	2	



**FIG.11 REAR CARRIER**

NO.	PART NO.	NAME	Q'ty	REMARK
01	HT150T-11-11-01	Rear carrier	1	
02	HT150T-11-11-02	Bolt 6X12	1	



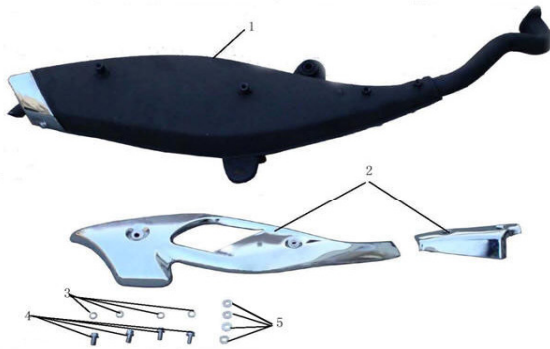
**FIG.12 FUEL TANK ASSY**

NO.	PART NO.	NAME	Q'ty	REMARK
01	HT150T-11-12-01	Fixing bracket	1	
02	HT150T-11-12-02	Fuel tank	1	
03	HT150T-11-12-03	Sensor, fuel level	1	
04	HT150T-11-12-04	Rubber cushion	1	
05	HT150T-11-12-05	Fixing plate, sensor	1	
06	HT150T-11-12-06	Cap, fuel tank	1	
07	HT150T-11-12-07	Switch, fuel	1	
08	HT150T-11-12-08	Filter	4	
09	HT150T-11-12-09	Bolt 6X12	3	
10	HT150T-11-12-10	Bolt 6X18	5	
11	HT150T-11-12-11	Fuel pipe A	1	
12	HT150T-11-12-12	Fuel pipe B	1	
13	HT150T-11-12-13	Negative pressure pipe	3	
14	HT150T-11-12-14	Clip	6	



**FIG.13 AIR FIILTER**

NO.	PART NO.	NAME	Q'ty	REMARK
01	HT150T-11-13-01	Body, air filter	1	
02	HT150T-11-13-02	Pipe	1	
03	HT150T-11-13-03	Filter	1	
04	HT150T-11-13-04	Clip	2	
05	HT150T-11-13-05	Bolt 6X45	1	
06	HT150T-11-13-06	Bolt 6X50	1	
07	HT150T-11-13-07	Bush	1	
08	HT150T-11-13-08	Rubber pipe	1	
09	HT150T-11-13-09	Pipe	1	
10	HT150T-11-13-10	Stopper	1	
11	HT150T-11-13-11	Clip	4	
12	HT150T-11-13-12	Air filter chip	1	1.5



**FIG. 14 MUFFLER**

NO.	PART NO.	NAME	Q'ty	REMARK
01	HT50QT-25-14-01	Muffler	1	
02	HT50QT-25-14-02	Protecting plate	1	5.95
03	HT50QT-25-14-05	Bolt 6X12	4	
04	HT50QT-25-14-08	Washer	4	
05	HT50QT-25-14-10	Gasket,Exhaust pipe	4	



**FIG.15 REAR ABSORBER**

NO.	PART NO.	NAME	Q'ty	REMARK
01	HT150T-11-15-01	Bolt 10×40	1	
02	HT150T-11-15-02	Left.Re.absorber	1	
03	HT150T-11-15-03	Right.Re.absorber	1	
04	HT150T-11-15-04	Bolt 8×32	2	
05	HT150T-11-15-05	Nut10	2	



**FIG.16 SPEEDOMETER**

NO.	PART NO.	NAME	Q'ty	REMARK
01	HT150T-11-16-01	Speedometer assy	1	
02	HT150T-11-16-02	Screw 4.2×12	3	





**FIG.17 FRONT WHEEL**

NO.	PART NO.	NAME	Q'ty	REMARK
01	HT150T-11-17-01	Fr.rim	1	
02	HT150T-11-17-02	Fr.tyre	1	17.84 (hongdou)
03	HT150T-11-17-03	Gear box	1	
04	HT150T-11-17-04	Speedometer cable	1	
05	HT150T-11-17-05	Air valve	1	
06	HT150T-11-17-06	Adjusting nut	1	
07	HT150T-11-17-07	Bush, shaft ,fr wheel	1	
08	HT150T-11-17-08	Shaft,fr.wheel	1	



**FIG.18 REAR WHEEL ASSY**

NO.	PART NO.	NAME	Q'ty	REMARK
01	HT150T-11-18-01	Re.rim	1	
02	HT150T-11-18-02	Re.tyre	1	17.84 (hongdou)
03	HT150T-11-18-03	Bush A,shaft, rear wheel	1	
04	HT150T-11-18-04	Bush B,shaft, rear wheel	1	
05	HT150T-11-18-05	Nut locked	1	
06	HT150T-11-18-06	Air valve	1	







**FIG. 19 DISK BRAKE & REAR BRAKE**

NO.	PART NO.	NAME	Q'ty	REMARK
01	HT150T-11-19-01	Disk brake assy, front	1	
02	HT150T-11-19-02	Rear brake cable	1	
03	HT150T-11-19-03	Brake disk	1	
04	HT150T-11-19-04	Bolt 8X36	3	
05	HT150T-11-19-05	Spring A	1	
06	HT150T-11-19-06	Spring B	2	
10	HT150T-11-19-10	Brake shoer	1	
07	HT150T-11-19-07	Re.brake rocker shaft	2	
08	HT150T-11-19-08	Cam.rear brake	1	
09	HT150T-11-19-09	Bolt 8X32	1	
11	HT150T-11-19-11	Nut	1	



**FIG. 20 REAR FENDER**

NO.	PART NO.	NAME	Q'ty	REMARK
01	HT150T-11-20-01	Rear fender	1	
02	HT150T-11-20-02	Bolt 6X12	1	
03	HT150T-11-20-03	Bolt 6X18	1	

**FIG. 21 ELECTRICAL**



NO.	PART NO.	NAME	Q'ty	REMARK
01	HT150T-11-21-01	Wiring harness	1	
02	HT150T-11-21-02	Flasher	1	
03	HT150T-11-21-03	CDI	1	
04	HT150T-11-21-04	Fuse box	2	
05	HT150T-11-21-05	Fuse	2	
06	HT150T-11-21-06	Bolt 6X12	1	
07	HT150T-11-21-07	Regulator	3	
08	HT150T-11-21-08	Relay	2	
09	HT150T-11-21-09	Case, upper		
10	HT150T-11-21-10	Bolt 5X25		
11	HT150T-11-21-11	Bolt 5X20		
12	HT150T-11-21-12	Starting button		
13	HT150T-11-21-13	Headlight switch		
14	HT150T-11-21-14	Switch beam		
15	HT150T-11-21-15	Turning switch		
16	HT150T-11-21-16	Button, horn		
17	HT150T-11-21-17	Horn		
18	HT150T-11-21-18	Bolt 8X12		
19	HT150T-11-21-19	Key		
20	HT150T-11-21-20	Bolt 6X12		
21	HT150T-11-21-21	Igniting switch assy		
22	HT150T-11-21-22	Lever comp, rear brake	1	
23	HT150T-11-21-23	Bolt 5X25	1	
24	HT150T-11-21-24	Bolt 5X20	1	
25	HT150T-11-21-25	Pressure package	1	
26	HT150T-11-21-26	Bolt 5X20	1	
27	HT150T-11-21-27	Negative wire	1	
28	HT150T-11-21-28	Bolt 6X12	1	



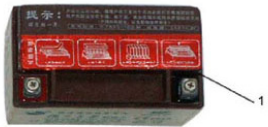
**FIG. 22 STAND**

NO.	PART NO.	NAME	Q'ty	REMARK
01	HT150T-11-22-01	Main stand	1	
02	HT150T-11-22-02	Side stand	1	
03	HT150T-11-22-03	Spring, side stand	1	
04	HT150T-11-22-04	Bolt 10X25, side stand	1	
05	HT150T-11-22-05	Spring, main stand	1	
06	HT150T-11-22-06	Bolt M10X25	2	
07	HT150T-11-22-07	Bush, main stand	2	



**FIG. 23 FRAME**

NO.	PART NO.	NAME	Q'ty	REMARK
01	HT150T-11-23-01	Axis,engine mounting	1	
02	HT150T-11-23-02	Hanger, engine	1	
03	HT150T-11-23-03	Nut locked	1	
04	HT150T-11-23-04	Bolt 10X55	2	
05	HT150T-11-23-05	Bolt 8X38	2	
06	HT150T-11-23-06	Connecting plate	1	
07	HT150T-11-23-07	Frame	1	
08	HT150T-11-23-08	Small connecting plate	1	



**FIG. 24 BATTERY**

NO.	PART NO.	NAME	Q'ty	REMARK
01	HT150T-11-24-01	Battery	1	
02	HT150T-11-24-02	Electrolyte	1	
03	HT150T-11-24-03	Tundish	1	

**FIG. 25 TOOL**

NO.	PART NO.	NAME	Q'ty	REMARK
01	HT150T-11-25-01	Spanner 14-7	1	
02	HT150T-11-25-02	Spanner 8-10	1	
03	HT150T-11-25-03	Spanner 10-12		
04	HT150T-11-25-04	Inner hexagon spanner		
05	HT150T-11-25-05	Sleeve		
06	HT150T-11-25-06	Screwdriver, double-ended		
07	HT150T-11-25-07	Handle, screwdriver		
08	HT150T-11-25-08	Bag, tool		

NO.	PART NO.	NAME	Q'ty	REMARK
	HT150T-11-04-11	Lock, batter cover	1	
	HT150T-11-07-14	Lock	1	
	HT150T-11-07-15	Bracket, key	1	
	HT150T-11-07-08	Bracket,Seat lock	3	
	HT150T-11-21-16	Key		
	HT150T-11-21-18	Igniting switch assy		