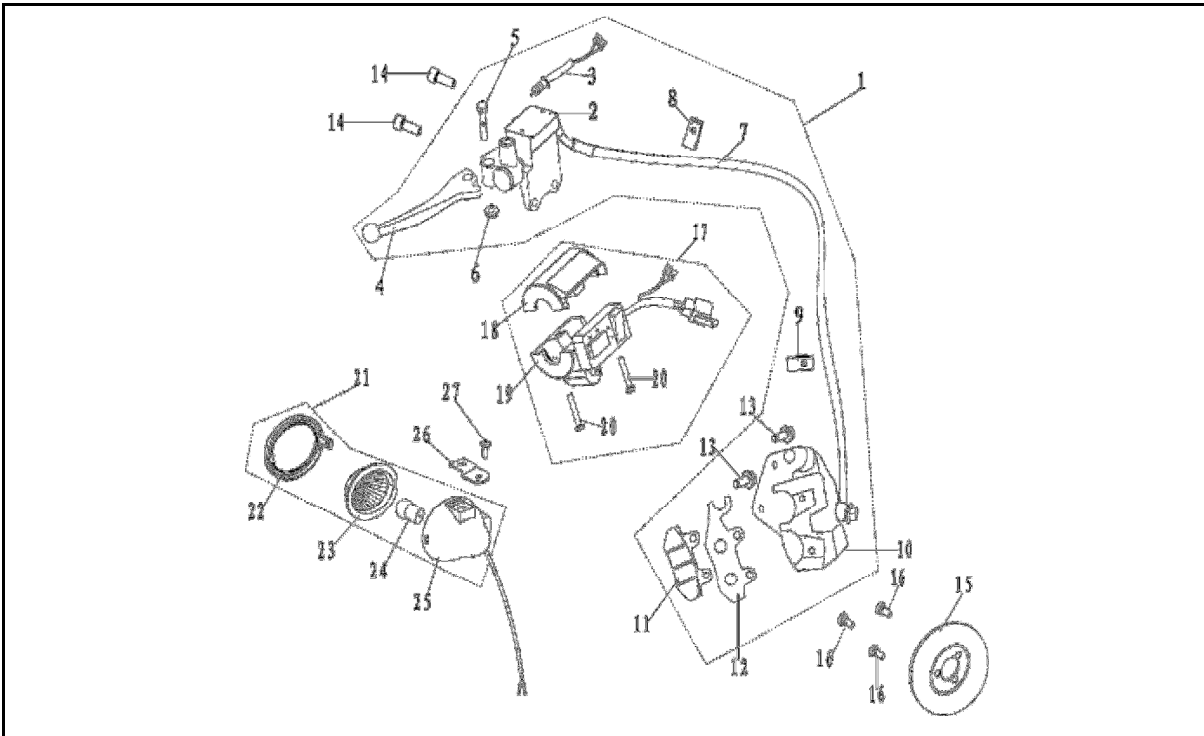
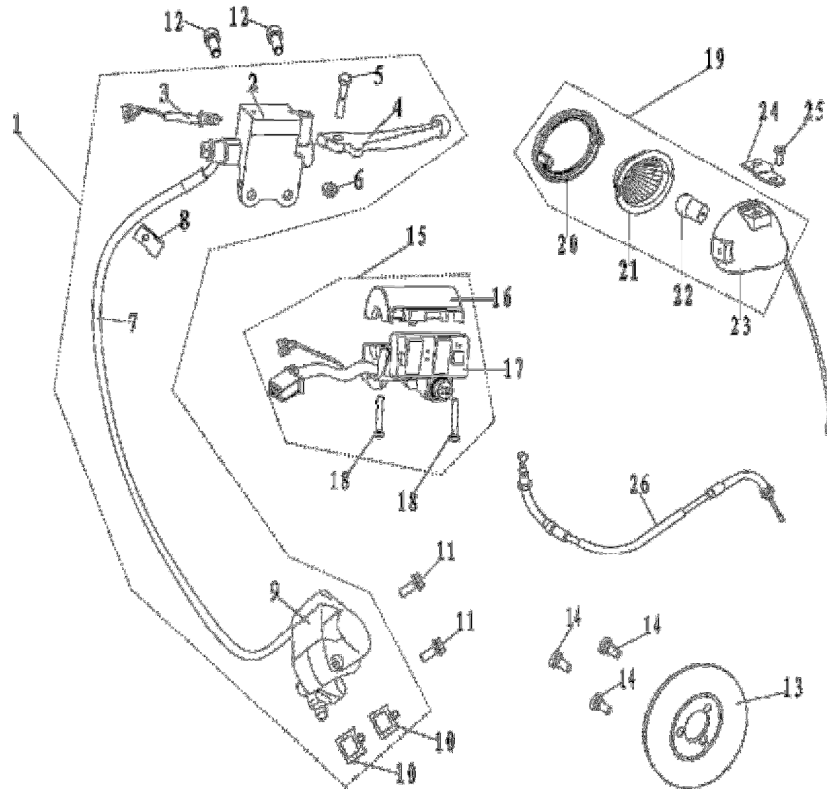


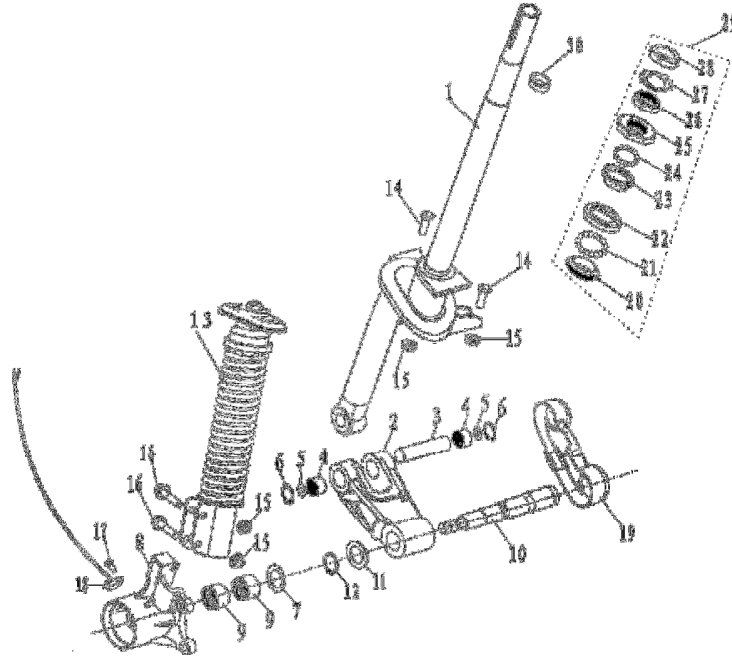
	(Part Number)	(Description and Standard)	Qty'/Unit	
1	GB 39-88	Nut M5	1	
2	J08-51410-00	Bolt M5*16	1	
3	GB 858-88	Gasket φ6	1	
4	J08-51420-00	Bulb W3W 12/3W	1	
5	J08-51430-00	Headlight bulb S2 12V35W/35W	1	
6	J08-51440-00	Head light	1	
7	J08-51450-00	Dustproof cap	1	
8	J08-51460-00	Headlight cable	1	
9	J08-51470-00	Anti-vibration rubber ring	1	
10	J08-51480-00	Decorate cover(Cr)	1	
11		cardφ4	3	
12	GB 845-85	Screw ST4.2*13	2	
13	J08-41110-00	Head light cover(upper)	1	
14	GB845-85-ST4.2*16	Screw ST4.2*16	7	
15	J08-41111-00	Head light cover(down)	1	
16				
17	J08-51100-00	speedometer assy	1	
18	GB845-85-ST3.5*10	Screw ST3.5-10	2	
19	J08-51130-00	Indicator light assy	1	
20	J08-51140	Trim pedal strip	1	
21	GB845-85-ST3*10	Screw ST3*10	2	
22	J08-51150	Meter pedestal	1	
23	GB845-85-ST4*13	Screw ST3*10	3	
24	J08-81200-00	handle bar	1	
25	J08-51A10-00	Bush(L)handlebar	1	
26	J08-51B10-00	Bush(R)handlebar	1	
27	J08-51400-00	Headlight assy	1	



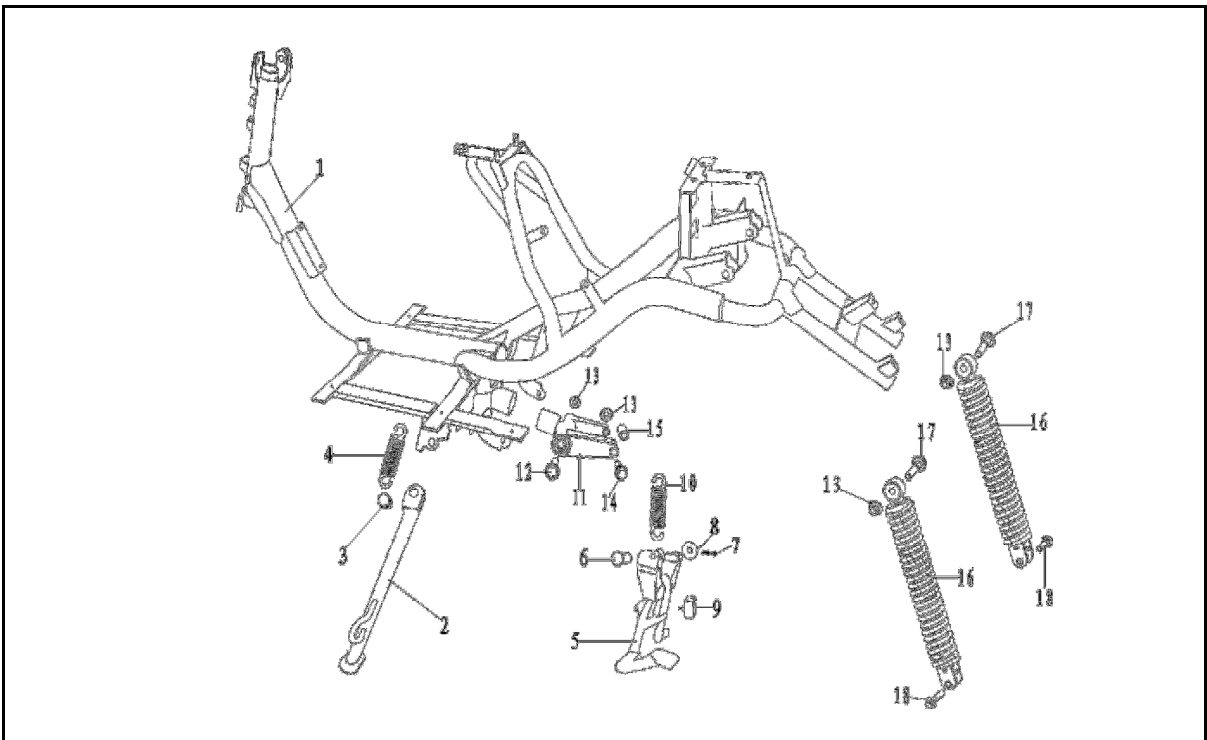
	(Part Number)	(Description and Standard)	Qty'/Unit	
1	J08-31200-00	Read disk brake assy	1	
2	J08-31210-00	Upper pump,rear disk brake	1	
3	J08-31111-00	Disk brake switch	1	
4	J08-31211-00	Disk brake grip(L)	1	
5	J08-31113-00	Bolt M6*35	1	
6	GB6187	Nut M6	1	
7	J08-31260-00	Rear disk brake cannulation	1	
8	J08-31230-00	Brake clip(nylon)	1	
9	J08-31240-00	Brake clip(steel)	1	
10	J08-31220-00	Down pump assy	1	
11	J08-31221-00	(Inner)brake shoe	1	
12	J08-31222-00	(Outer)brake shoe	1	
13	GB5789	Bolt M8*20(down pump)	2	
14	GB 70.2-2000	Bolt M8*20(upper pump)	2	
15	J08-31250-00	Rear disk brake pad	1	
16	J08-31141-00	Fix bolt(disk brad pad)	3	
17	J08-311200-00	Left switch assy	1	
18	J08-51200-00	Left switch cover	1	
19	J08-51220-00	Left switch mount	1	
20	GB818-85-5*30	Screw M5*30	2	
21	J08-51600-00	Turnlight assy(F,L)	1	
22	J08-51610-00	Front turnlight ornatong ring	1	
23	J08-51620-00	Turn light cover	1	
24	J08-51630-00	Turn light bulb R10W/12V	1	
25	J08-51640-00	Turn light mounting(F,L)	1	
26	J08-51650-00	Turn light bracket(F,L)	1	
27	GB818-85-5*12	Screw M5*12(stainless)	1	



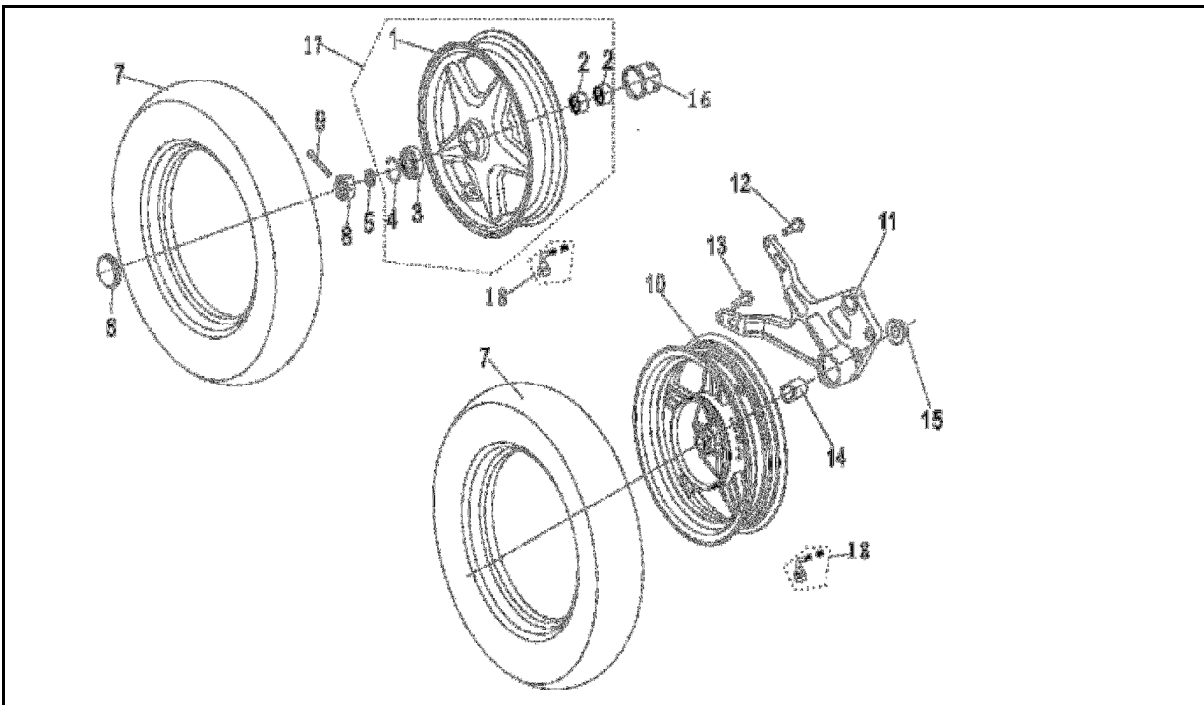
	(Part Number)	(Description and Standard)	Qty'/Unit	
1	J08-31100-00	Front disk brake assy	1	
2	J08-31110-00	Front disk brake pump(upper)	1	
3	J08-31111-00	disk brake switch assy	1	
4	J08-31112-00	Front disk brake handle	1	
5	J08-31113-00	Volt M6/35	1	
6	GB6187-M6	Nut M6	2	
7	J08-31120-00	Front disk brake cannulation	2	
8	J08-31130-00	Brake clip(nylon)	1	
9	J08-31150-00	Down pump assy	1	
10	J08-31151-00	Front brake shoe	2	
11	GB5789-8*20	Bolt M8*20(down pump)	2	
12	GB70.2-2000	Bolt M8*20(upper pump)	2	
13	J08-31140-00	Front disk brake	1	
14	J08-31141-00	Fix bolt(disk brake pad)	3	
15	J08-51300-00	Right switch assy	1	
16	J08-51310-00	Right switch cover	1	
17	J08-51320-00	Right switch seat	1	
18	GB 818-85	Screw M5*30	2	
19	J08-51700-00	Turnlight assy(F,R)	1	
20	J08-51610-00	Front turnlight ornatng ring	1	
21	J08-51620-00	Front turnlight cover	1	
22	J08-51630-00	Front turnlight bulb R10W 12V	1	
23	J08-51710-00	Turnlight mounting assy(F,R)	1	
24	J08-51720-00	Turnlight bracket(F,R)	1	
25	GB 818-85	Screw M5*12	1	
26	J08-93300-00	Throttle(Carburetor)	1	



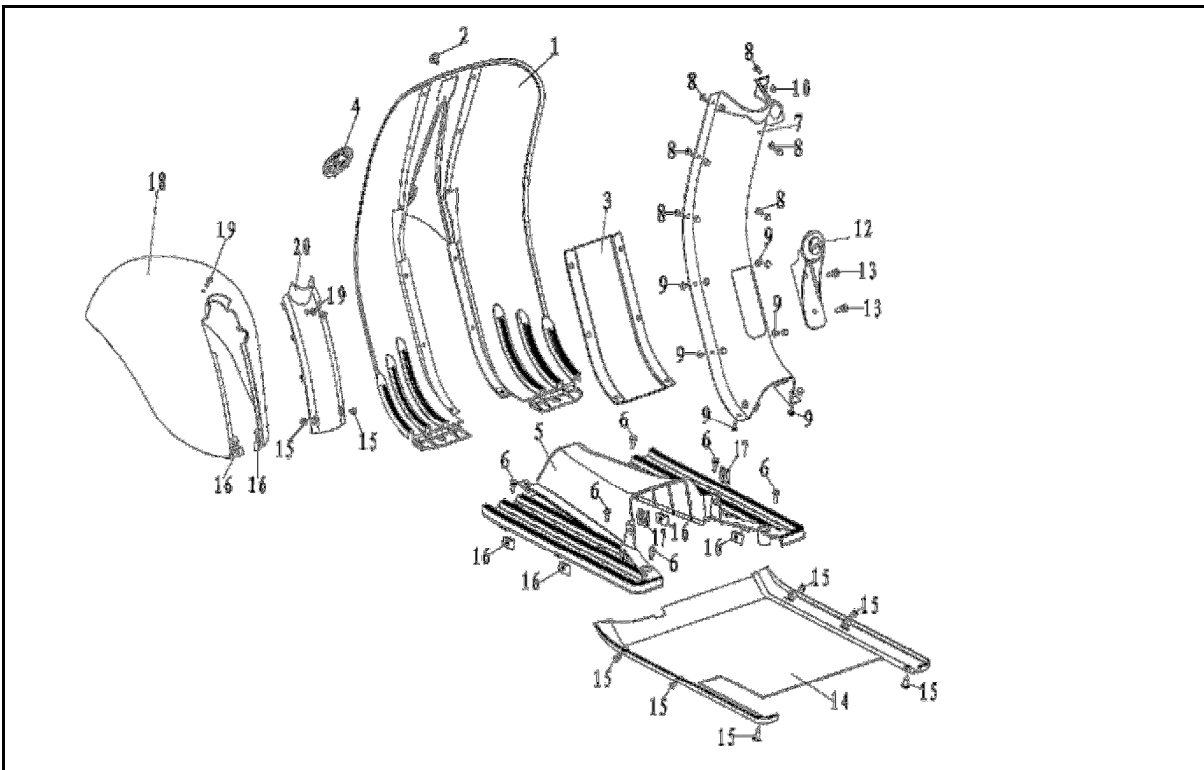
	(Part Number)	(Description and Standard)	Qty'/Unit	
1	J08-21300-00	Front fork	1	
2	J08-21500-00	Front swing arm	1	
3	J08-21510-00	Swing arm bolt	1	
4	J085-21520-00	Swing arm axletree(HK1612)	2	
5	J08-21530-00	Swing arm bolt gasket $\phi 21 * \phi 10-1$	2	
6	GB/TB93.1	Circlip,Rock Arm	2	
7	J08-21540-00	Plain ring(1mm)	1	
8	J08-21600-00	Bumper bracket	1	
9	J08-21610-00	Bumper bracket axletree(HK2212)	2	
10	J08-21620-00	Front axle	1	
11	J08-21630-00	Front axle plain ring(2mm)	1	
12	GB 894.2	circlip for shaft	1	
13	J08-21700-00	Front bumper	1	
14	GB5782-8*20	Bolt M8*20	2	
15	GB6178-M8	Nut M8	2	
16	GB5789-8*40	Bolt M8*40	2	
17	GB818-5*12	Screw M5*12	1	
18	J08-51110-00	Hall transducer assy	1	
19	J08-41163-00	Swing arm bolt adorn top	1	
20	J08-21410-00	Inner ring,down	1	
21	J08-21420-00	Steel ball assy,down	1	
22	J08-21430-00	Outer ring,down	1	
23	J08-21440-00	Inner ring,upper	1	
24	J08-21450-00	Steel ball assy,upper	1	
25	J08-21460-00	Locknut M26*1	1	
26	J08-21470-00	Locknut M26*1	1	
27	J08-21480-00	Check washer	1	
28	GB/T812	Locknut M24*1	1	
29	J08-21400-00	Axletree assy	1	
30	J08-21490-00	Bush	1	



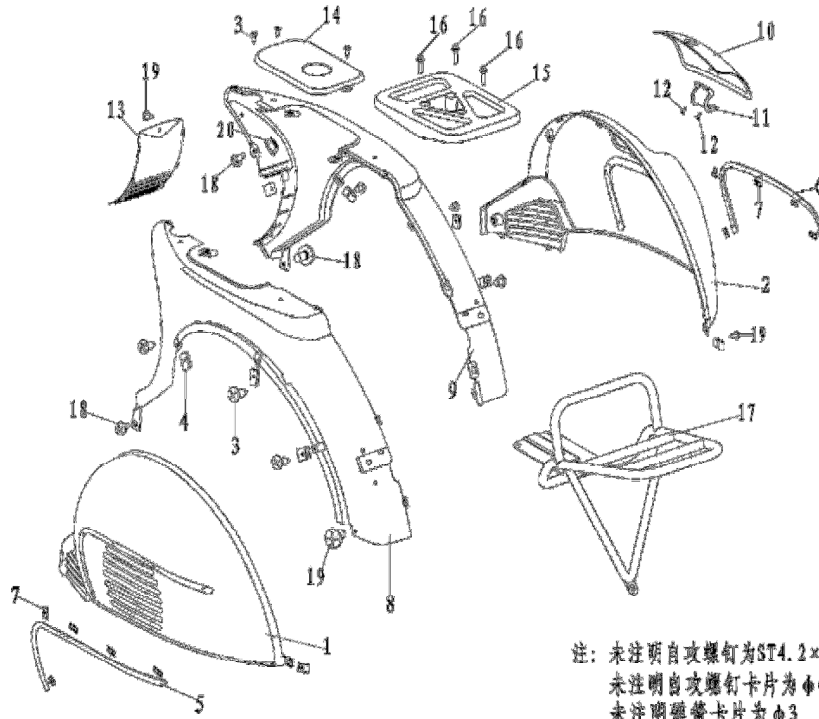
	(Part Number)	(Description and Standard)	Qty'/Unit	
1	J08-83100-00	Frame assy	1	
2	J08-81300-00	Side stand comp	1	
3	J08-81310-00	Bolt,side stand mouing	1	
4	J08-81320-00	Tension spring	1	
5	J08-83400-00	Main bracket	1	
6	J08-83440-00	Pin	1	
7	J08-83450-00	Split pins	1	
8	J08-83450-01	Washer ϕ 8	1	
9	J08-83430-00	Main bracket,shock absorbing rubber	1	
10	J08-81420-00	Main bracket,spring	1	
11	J08-83500-00	Engine,suspension assy	1	
12	GB 589	BoltM10*1.25*55	1	
13	GB6187-10*1.25	ScrewM10*1.25	4	
14	GB5789-10*1.25*205	BoltM10*1.25*55	1	
15	J08-83520-00	Collar ϕ 16* ϕ 10*71	1	
16	J08-23800-00	Rear bumper	2	
17	GB5789-10*40	BoltM10*4	2	
18	GB5787-8*35	Bolt M8*35	2	



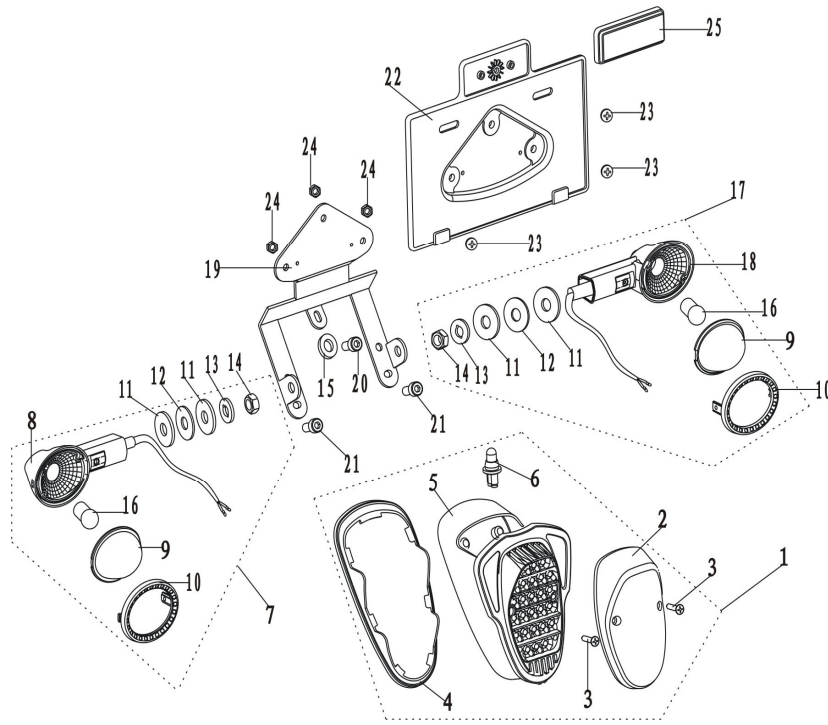
	(Part Number)	(Description and Standard)	Qty'/Unit	
1	J08-21110-00	Front wheel rim	1	
2	J08-21120-00	Front wheel inner bearing	2	
3	J08-21130-00	Front wheel bearing	1	
4	GB 893.1	Circlip,Bearing,Front Wheel	1	
5	J08-21140-00	Bush ϕ 22* ϕ 14*4	1	
6	J08-41164-00	Cover,Front axle	1	
7	J08-21220-00	Tyre (front&rear)	2	
8	GB6181-14*1.5	Nut M14*1.5	1	
9	GB 91	Split ping 3.2*35	1	
10	J08-23200-00	Rear Wheel Rim	1	
11	J08-13500-00	Engine conneting plate	1	
12	GB5789-8*55	Bolt M8*55	1	
13	GB5789-8*60	Bolt M8*60	1	
14	J08-23210-00	Bush ϕ 25* ϕ 17*40	1	
15	GB6178-16*1.5	Nut M16*1.5	1	
16	J08-51120-00	Permanent magnet sheath assy	1	
17	J08-21100-00	Front wheel assy	1	
18	J08-21230-00	Valve muzzle	2	



	(Part Number)	(Description and Standard)	Qty'/Unit	
1	J08-41113-00	Front fender	1	
2	GB 973-86	Screw M5*12	1	
3	J08-41114-00	Front fender,down cover	1	
4	J08-41160-00	Horn decorative board	1	
5	J08-41115-00	Board,footrest	1	
6	J08-41131-00	Bolt M6*16	1	
7	J08-41116-00	standpipe cover	1	
8	GB818-ST6*12	Screw M6*16(stainless steel)	6	
9	GB818-ST6*16	Screw M6*16(stainless steel)	6	
10	GB 802-88	Acorn nuts	12	
11	GB 973-86	Plain washers $\phi 6$	24	
12	J08-41150-00	spare tire bracket	1	
13	GB5787-ST8*16	Hexagon socket screws M8*16(stainless steel)	2	
14	J08-41140-00	Fr frame fender	1	
15	GB847-85-ST4.2*16	Tapping screw ST4.2*16	6	
16	J08-41115-01	Tapping Screw Socket $\phi 4$	4	
17	J08-41115-02	Bolt Socket M6	2	
18	J08-41124-00	The front of the fr wheel fender	1	
19	GB 973-86	Screw M6*16(stainless steel)	4	
20	J08-41125-00	The rear of the fr wheel fender	1	

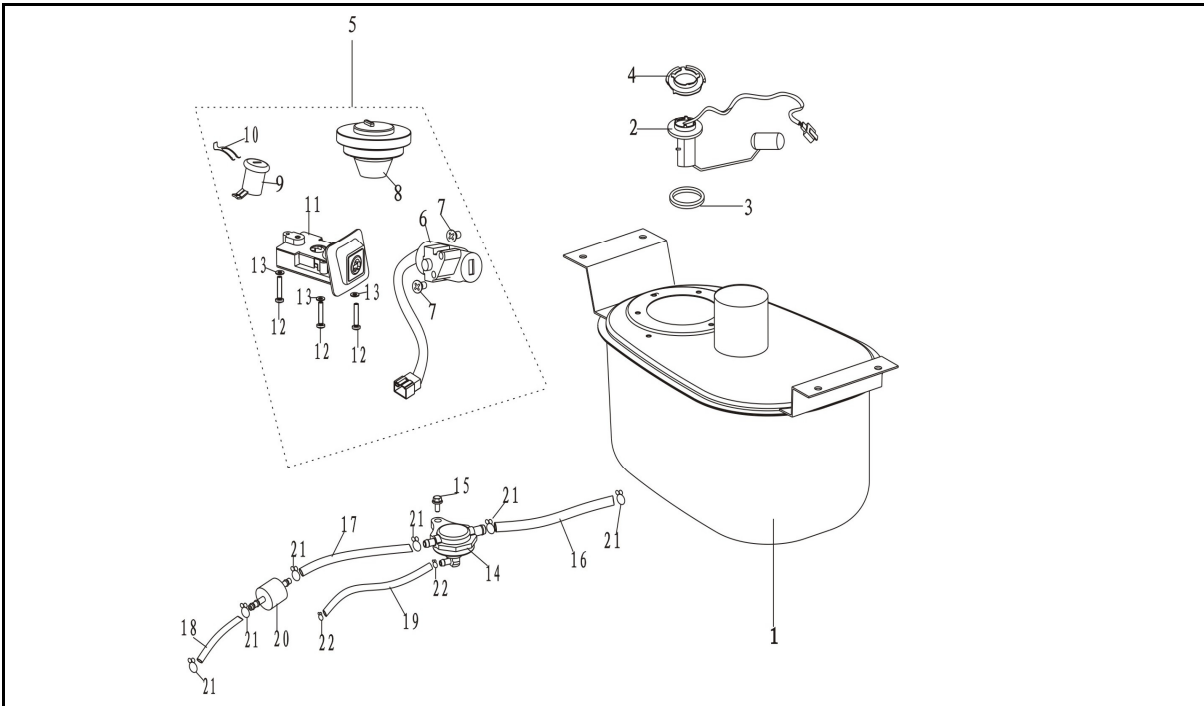


	(Part Number)	Description and Standard)	Qty'/Unit	
1	J08-41117-00	Side cover(L)	1	
2	J08-41118-00	Side cover(R)	1	
3	GB847-85-ST4.2*16	Tapping screw ST4.2*16	7	
4	J09-41119-01	Tapping Screw Socketφ 4	12	
5	J08-41161-00	Decorative chrome strip(L)	1	
6	J08-41162-00	Decorative chrome strip(R)	1	
7	J08-41134-00	Tapping Screw Socket φ3	10	
8	J08-41119-00	Middle cover(L)	1	
9	J08-41120-00	Middle cover(R)	1	
10	J08-41121-00	Cover,battery box	1	
11	J08-41122-00	Hinge,battery box	1	
12	GB847-85-ST4.2*16	Tapping screw ST4.2*16	1	
13	J08-41123-00	Front cover	2	
14	J08-41126-00	Cover,fuel tank	2	
15	J08-41151-00	Fix cover,rear seat assy	1	
16	GB 70.2	Inner Hxagon Bolt M8*35(stainless steel)	3	
17	J08-81600-00	Luggage carrier	1	
18	GB 973-86	Screw M6*16(stainless steel)	3	
19	GB847-85-ST4.2*16	Tapping screw ST4.2*16	3	
20	GB6177-M6	Nut M6	1	



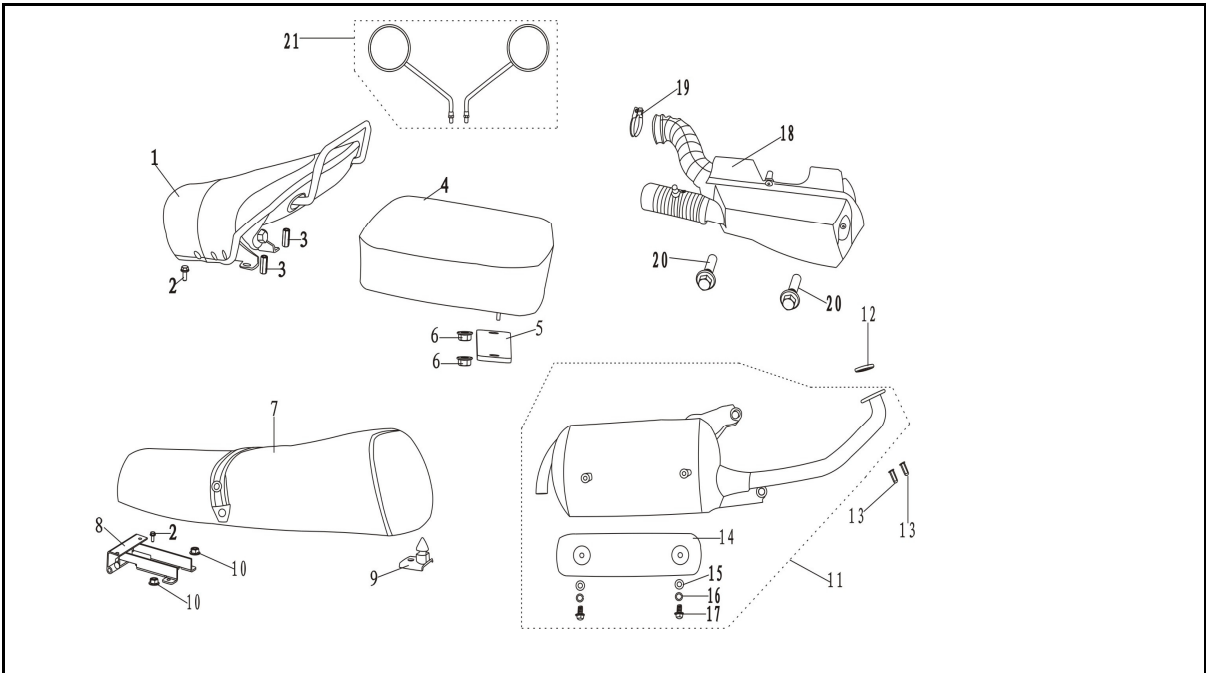
	(Part Number)	(Description and Standard)	Qty'/Unit	
1	J08-51500-00	Taillight assy	1	
2	J08-51510-00	taillight cover	1	
3	GB 845-85	Tapping screw St4*25	2	
4	J08-51520-00	Seal ring,taillight	1	
5	J08-51530-00	Taillight housing	1	
6	J08-51540-00	Bulb W5W 12V/5W	1	
7	J08-51800-00	(R,L) turning light	1	
8	J08-51810-00	(R,L) turning light,holder	1	
9	J08-51620-00	turning light cover	2	
10	J08-51820-00	Turning light decorative chrome ring	2	
11	J08-51850-00	Rubber gasket $\phi 32 * \phi 12 * 2$	4	
12	GB 96-85	Gasket $\phi 12$	2	
13	J08-51860-00	Gasket $\phi 10$	2	
14	GB6170-86-10*1.25	Nut M10*1.25	2	
15	J08-51870-00	Gasket $\phi 6$	1	
16	J08-51640-00	BulbR10W 12V	2	
17	J08-51900-00	(R,R) turning light	1	
18	J08-51910-00	(R,R) turning light,holder	1	
19	J08-81700-00	Rear licence plate bracket	1	
20	GB5789-6*16 S	Bolt M6*16(stainless steel)	1	
21	GB70.2	Bolt M8*20	2	
22	J08-41141-00	Rear licence plate mounting	1	
23	GB 9074.6	Screw M6*16	3	
24	GB 802-88	Nut M6*11	3	
25	J08-91500-00	Rear reflector	1	

F10

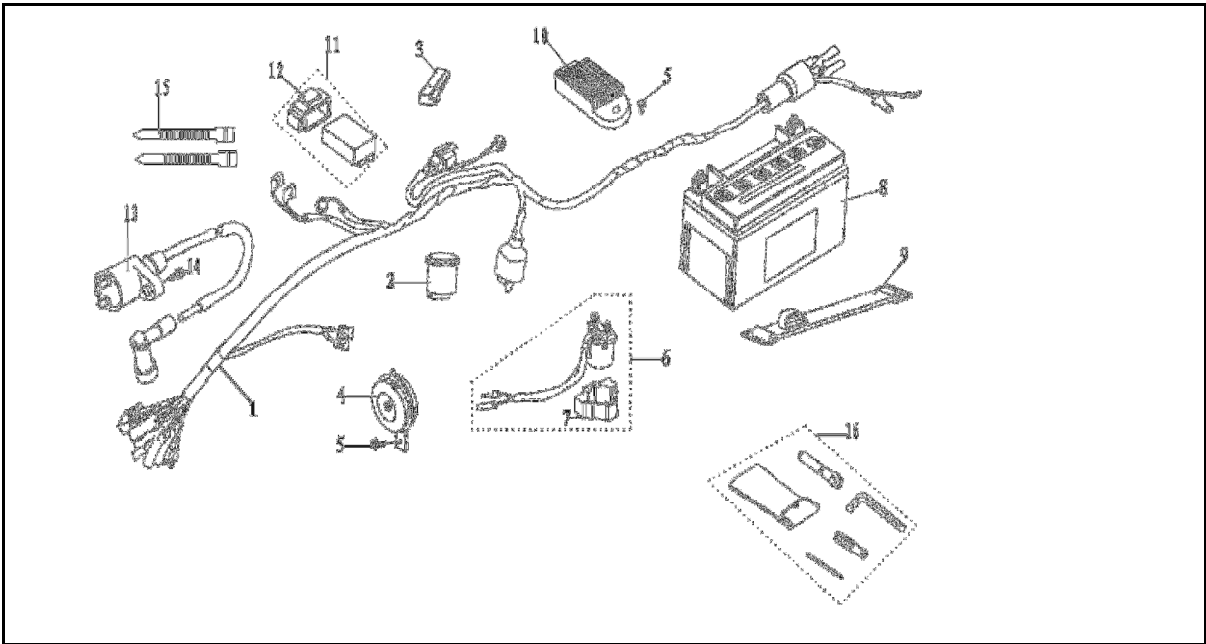


	(Part Number)	(Description and Standard)	Qty'/Unit	
1	J08-73100-00	Fuel tank(carburetor/Euro)	1	
	J08-74100-00	Fuel tank(carburetor/USA)	1	
2	J08-73110-00	Fuel sensor	1	
3	J08-73140-00	Seal ring,sensor	1	
4	J08-73130-00	Sensor clip	1	
5	J08-61100-00	Lock assy	1	
6	J08-61110-00	Main switch assy	1	
7	GB 819-85	Countersunk rivet screw M6*12	2	
8	J08-61120-00	Lock assy,fuel, tank	1	
9	J08-61130-00	Battery cover lock	1	
10	J08-61131-00	Battery ocver lock card	1	
11	J08-62140-00	Seat lock	1	
12	GB 818-85	Screw M4*20	3	
13	GB 97-85	Washer φ4	3	
14	J08-7320-00	Fuel lock assy	1	
15	GB5789-6*16	bolt M6*16	1	
16	J08-73150-00	Gasoline pipe I	1	
17	J08-73160-00	Gasoline pipe II	1	
18	J08-73170-00	Gasoline pipe III	1	
19	J08-73180-00	Vacuum tube	1	
20	J08-73190-00	fuel filter	1	
21		Circlip I	6	
22		Circlip II	2	

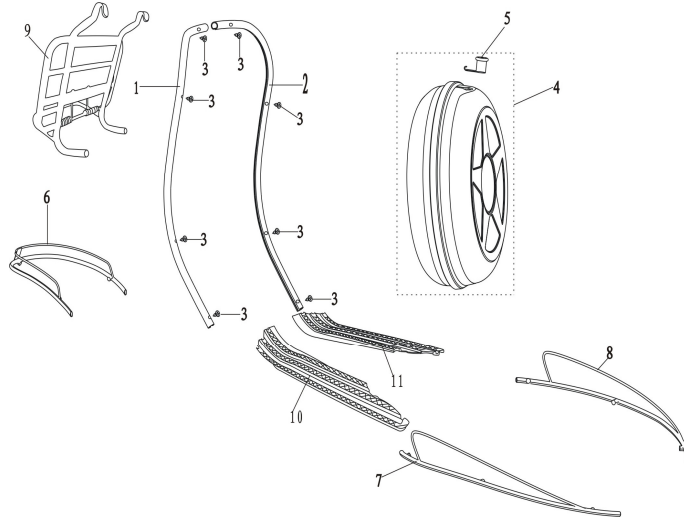
F11



	(Part Number)	(Description and Standard)	Qty'/Unit	
1	J08-91100-00	Front seat assy	1	
2	GB5789-8*20	Bolt M8*20	2	
3	GB6177-8*35	Nut M8*35	2	
4	J08-91200-00	Rear seat assy	1	
5	J08-91220-00	Rear seat clamp(R)	1	
6	GB6177-M6	Nut M6	3	
7	J08-92100-00	Whole seat assy	1	
8	J08-92120-00	Hinge,seat	1	
9	J08-92200-00	Seat lock mount	1	
10	GB6177-M8	Nut M8	2	
11	J08-13600-00	Muffler(Caiburetor/Euro)	1	
	J08-14600-00	Muffler(Caiburetor/50cc)	1	
12	J08-11620-00	Gasket,exhaust pipe	1	
13	J08-11610-00	Acorn nuts M6*32	2	
14	J08-11630-00	Protective cover,muffler	1	
15	GB/T97.2-2002	Gasketφ 6	2	
16	GB/T93-1987	Spring gasket φ6	2	
17	GB5787-6*8	Screw M6*8	2	
18	J08-11700-00	Air filter assy	1	
19	J08-11740-00	Clamp ,air pipe	1	
20	GB5787-6*25	Bolt M6*25	2	
21	J08-91400-00	Rear view mirror	1	



	(Part Number)	(Description and Standard)	Qty'/Unit	
1	J08-61200-00	Wire harness assy	1	
2	J08-61300-00	Flasher	2	
3	J08-61400-00	Overcurrent protector	1	
4	J08-61500-00	Horn	1	
5	GB5789-6*18	Bolt M6*16	2	
6	J08-61600-00	Starter relay	1	
7	J08-6160-00	Start relay bush	1	
8	J08-61700-00	Battery YTX7L-BS	1	
9	J08-61710-00	Battery bandage	1	
10	J08-61800-00	Rectifier regulator assy	1	
11	J08-61900-00	Igntion(CDI)	1	
12	J08-61910-00	Igntion bush	1	
13	J08-61920-00	Igntion coil	1	
14	GB5789-6*20	Bolt M6*20	1	
15	J08-91900-00	Bandage	8	
16	J08-91940-00	Tool kit	1	



	(Part Number)	(Description and Standard)	Qty'/Unit	
1	J08-X1100-00	Panel Decoration Bar,L.	1	
2	J08-X1200-00	Panel Decoration Bar,R.	1	
3	GB	Bolt	8	
4	J08-X1300-00	Tool Box Assy.	1	
5	J08-X1400-00	Lock,Tool Box	1	
6	J08-X1500-00	Porction Bar,Fr.Fender	1	
7	J08-X1600-00	Protection Bar,Side Cover,L.	1	
8	J08-X1700-00	Protection Bar,Side Cover,R.	1	
9	J08-X1800-00	Fr.Folding Carrier	1	
10	J08-X1910-00	Foot Rubber,L.	1	
11	J08-X1920-00	Foot Rubber,R.	1	