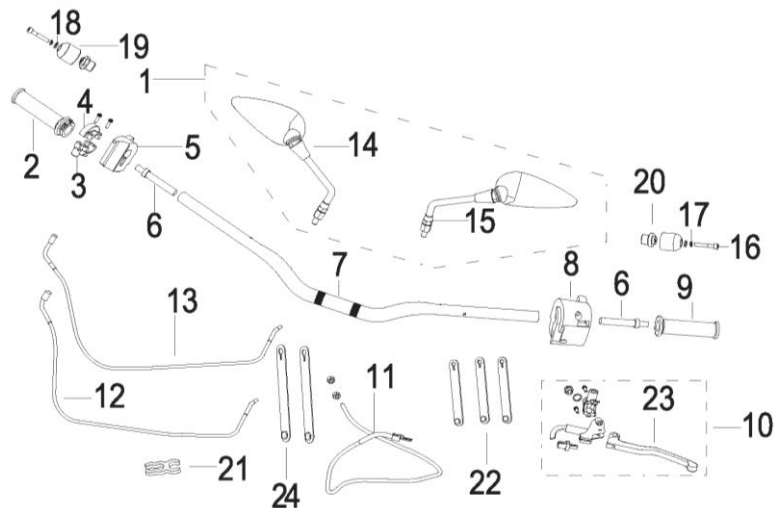
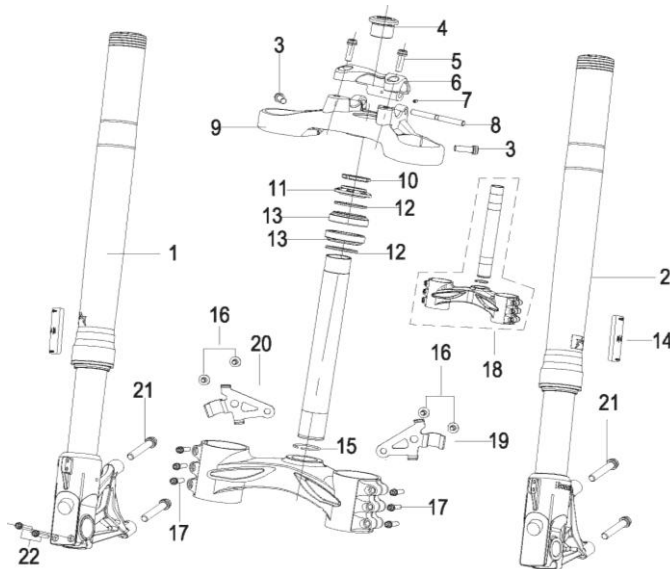


F01 操纵 CONTROL ASSY.



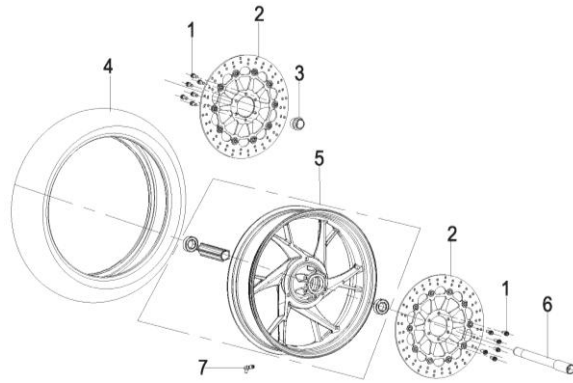
NO.	Position No.	CODE	钱江料号	CN DESCRIPTION	EN DESCRIPTION	Qty/Unit
1	F01	40440P250000		后视镜组件(含40470P)	MIRROR ASSY	1
2	F01	40210P250000		右握把组件	GRIP ASSY.,RH.	1
3	F01	40214S010000		油门线后盖	BACK COVER	1
4	F01	40213S010000		油门线前盖	FRONT COVER	1
5	F01	40600P250000		右组合开关	SWITCH ASSY., R.	1
6	F01	40031S010000		平衡块	BALANCER	2
7	F01	40101P300000		方向把	HANDLE BAR ASSY	1
8	F01	40500P250000		左组合开关	SWITCH ASSY., L.	1
9	F01	40001K740000		左方向把套	GRIP ASSY.,L.	1
10	F01	40080S01002Z		离合器手柄组合	LEVER ASSY,LEFT	1
11	F01	40400P250010		离合器线组件	CLUTCH LINE COMPONENTS	1
12	F01	40300P250000		油门线组件I	CABLE ASSY.,THROTTLE	1
13	F01	40330P250000		油门线组件II M12	CABLE ASSY.,THROTTLE M12	1
14	F01	40470P250000		右后视镜	MIRROR ASSY.,RR VIEW,R.	1
15	F01	40460P250000		左后视镜	MIRROR ASSY.,RR VIEW,L.	1
16	F01	B02050603562		内六角螺钉M6×35	SCREW M6×35	2
17	F01	B07000000602		弹簧垫圈φ6	GASKET 6	2
18	F01	B07030000602		垫圈φ6	GASKET 6	2
19	F01	40032P250000		平衡块安装座	BALANCE PIECE INSTALLED	2
20	F01	40031P250000		平衡块	BALANCER	2
21	F01	40022P250000		线夹	WIRE CLIP	1
22	F01	49371T620000		截止阀软管线夹	CLIP	3
23	F01	40084S010000		离合器手柄	CLUTCH HANDLE,LEFT	1
24	F01	40023P250000		方向把软管线夹	CLIP,RUBBER	2

F02 前叉 FRONT FORK ASSY



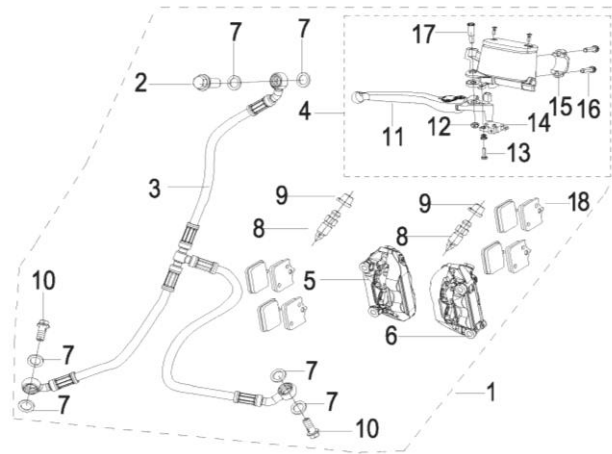
NO.	Position No.	CODE	钱江料号	CN DESCRIPTION	EN DESCRIPTION	Qty/Unit
1	F02	43300P300020		前右减震器组件	FRONT RIGHT SHOCK	1
2	F02	43200P300020		前左减震器组件	FRONT LEFT SHOCK	1
3	F02	B02810802562		螺栓M8×1.25×25	BOLT M8×1.25×25	2
4	F02	43049P300000		上联板紧固螺钉	SCREW	1
5	F02	B02810802562		螺栓M8×1.25×25	BOLT M8×1.25×25	2
6	F02	43011P300010		方向把上座	SEAT, HANDLERBAR, UPPER	1
7	F02	43255S010010		内六角平端紧定螺钉M4×6	SCREW M4×6	1
8	F02	43061S010010		销	PIN	1
9	F02	43012P300011		上联板	UPPER CONNECTING BOARD	1
10	F02	43009S010000		螺母	NUT	1
11	F02	43008S010010		上联板紧固螺母	NUT	1
12	F02	43005S010000		防尘圈	RING, ANTI-DUST	2
13	F02	43130S010000		转向轴承	BEARING	2
14	F02	86200P250000		前侧反射体	SIDE REFLECTOR	2
15	F02	43103S010000		防松环	RING	1
16	F02	B02830600862		螺栓M6×8	BOLT M6×8	4
17	F02	B02810602062		螺栓M6×20	BOLT M6×20	6
18	F02	43100P250000		下联板组件(43101P2)	CROWN ASSY	1
19	F02	43151P250000		左液刹管夹	CLAP, DISC BRAKE, REAR,L	1
20	F02	43161P250000		右液刹管夹	CLAP, DISC BRAKE, REAR,R	1
21	F02	08029S020010		螺栓M10×1.25×55	BOLT M10×55	4
22	F02	B02810603062		螺钉M6×30	SCREW M6×30	2

F03 前轮 FRONT WHEEL ASSY



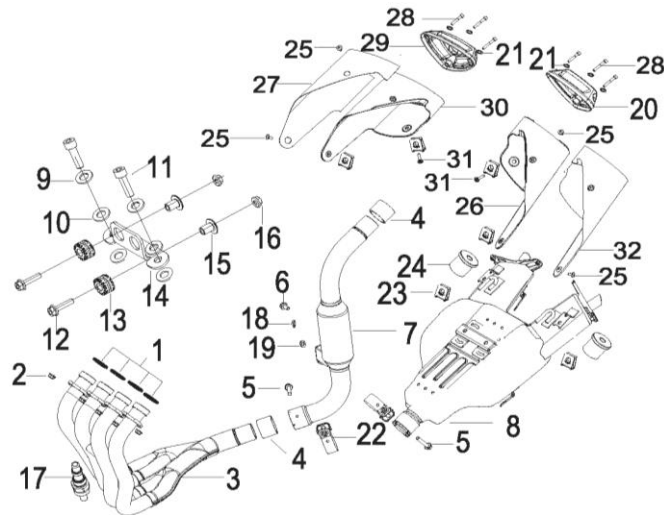
NO.	Position No.	CODE	钱江料号	CN DESCRIPTION	EN DESCRIPTION	Qty/Unit
1	F03	B02810801662		螺栓M8×16	BOLT M8×16	12
2	F03	45033S010000		D.320前制动盘	FRONT BRAKE DISC	2
3	F03	44005S010000		前轮左隔套	SLEEVE GASKET	1
4	F03	B140507D1701		真空胎120/70 ZR17	TIRE 120/70 ZR17	1
5	F03	44100P30001Z		前轮组件	FRONT WHEEL ASSY	1
6	F03	44004S010010		前轮轴	FRONT WHEEL SHAFT	1
7	F03	44920S010000		气门嘴	RIM VALVE	1

F04 前液刹 FRONT DISK BRAKE ASSY



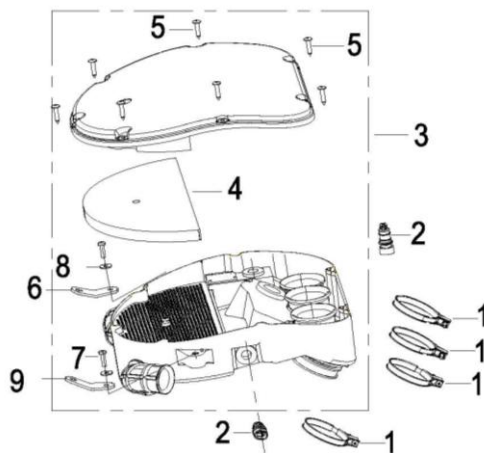
NO.	Position No.	CODE	钱江料号	CN DESCRIPTION	EN DESCRIPTION	Qty/Unit
1	F04	45900P250001		前液刹组件	FRONT DISC BRAKE ASSY.	1
2	F04	45037J000000		六角法兰螺钉	SCREW	1
3	F04	45200P250000		制动软管总成	BRAKE HOSE ASSY	1
4	F04	45400P300000		油泵体组件	OIL PUMP ASSY.	1
5	F04	45500S010001		前左制动缸组件(无BE	HYDROCHECK ASSY.LEFT	1
6	F04	45600S010001		前右制动缸组件(无BE	HYDROCHECK ASSY.RIGHT	1
7	F04	45078P300000		垫圈	WASHER	6
8	F04	45019N3CT000		放气嘴	DEFLATING VALVE	2
9	F04	45021B510000		放气嘴防尘罩	COVER,ANTI-DUST,	2
10	F04	45037P300000		油管安装螺栓	BOLT	2
11	F04	45020P300000		前液刹手柄组件	HANDLE,FLUIDBRAKE	1
12	F04	B04170600055		螺母M6	NUT M6	1
13	F04	B02040401225		螺钉M4x12	SCREWS 4x12	1
14	F04	55300T430000		制动开关	vb	1
15	F04	45023T010000		固定盖	COVER,FIX	1
16	F04	B01070602365		螺栓M6x23	BOLT M6x23	2
17	F04	45024H100000		手柄螺丝	BOLT	1
18	F04	45120S010000		摩擦片	BRAKE PAD	8

F05 消声器 MUFFLER ASSY



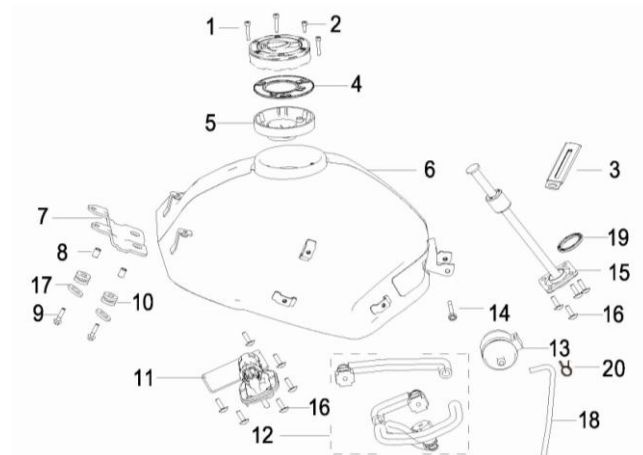
NO.	Position No.	CODE	钱江料号	CN DESCRIPTION	EN DESCRIPTION	Qty/Unit
1	F05	47800P250000		排气管密封垫组件	EXHAUST PIPE GASKET	4
2	F05	B04070800052		螺母M8	NUT M8	8
3	F05	47500P250010		前排气管组件	EXHAUST PIPE COMP,FRONT	1
4	F05	47035P250000		石墨衬圈	GRAPHITE LINING	2
5	F05	B0109080456L		螺栓M8x45	BOLT M8x45	2
6	F05	B0109080206L		螺栓M8x20	BOLT M8x20	1
7	F05	48500P250002		排气管组件	EXHAUST PIPE COMP,WITH	1
8	F05	47200P250010		筒体组件	MUFFLER JOINTING COMP	1
9	F05	47016P250000		隔热垫片	GASKET	4
10	F05	B07030001002		垫圈φ10	WASHER 10	2
11	F05	B02051002262		内六角螺钉M10x22	SCREW M10x22	2
12	F05	B01820602562		螺栓M6x25	BOLT M6x25	2
13	F05	65821S010000		橡胶块	BLACK RUBBER	2
14	F05	47031P250000		消音器固定板	MUFFLER FIXED BOARD	1
15	F05	14003S040000		散热器上衬套	BUSH	2
16	F05	B04800600052		螺母M6-8-ZG	NUT M6	2
17	F05	280586030010		氧传感器	OXYGEN SENSOR	4
18	F05	B07000000802		弹簧垫圈φ8	SPRING WASHER 8	1
19	F05	B07030000802		垫圈φ8	WASHER 8	1
20	F05	48024P25C900		左消声器装饰盖(电镀)	LEFT MUFFLER ADORNMENT	1
21	F05	B0703000060A		垫圈6	WASHER 6	6
22	F05	47830P250000		抱箍组件	CLAMP ASSY.	2
23	F05	65625J560000		卡螺母M6	NUT M6	6
24	F05	47028P250000		消音器橡胶套	MUFFLER RUBBER	2
25	F05	B02830601462		螺栓M6x14	BOLT M6x14	4
26	F05	48023P25BA00		左消声器装饰罩(平光)	LEFT MUFFLER ADORNMENT	1
27	F05	48025P250000		右装饰罩隔热锡箔纸	FOIL ,RIGHT	1
28	F05	B0205060406A		内六角螺钉M6x40	SCREW SELF-TAPPING	6
29	F05	47024P25C900		右消声器装饰盖(电镀)	RIGHT MUFFLER	1
30	F05	47023P25BA00		右消声器装饰罩(平光)	RIGHT MUFFLER	1
31	F05	B0284060300A		不锈钢螺钉M6x30	THE STAINLESS STEEL	4
32	F05	47025P250000		左装饰罩隔热锡箔纸	FOIL,LEFT	1

F06 空滤器 AIR CLEANER ASSY



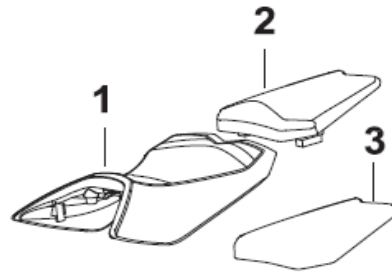
NO.	Position No.	CODE	钱江料号	CN DESCRIPTION	EN DESCRIPTION	Qty/U nit
1	F06	49350P250000		卡箍组件	CLAMP ASSY.	4
2	F06	310015040000		进气温度传感器	TEMPERATURE SENSOR	2
3	F06	49100P250001		空滤器组件	AIR CLEANER	1
4	F06	49208P250000		海棉滤芯	SPONGES FILTER	1
5	F06	B05074802505		自攻螺钉ST4.8x25	TAPPING SCREWS ST4.8x25	10
6	F06	49361P250000		空滤器固定板I	EMPTY FILTER FIXED BOARD	1
7	F06	B02000501925		螺钉5x19	SCREWS 5x19	2
8	F06	B07020000505		垫片φ5	GASKETS 5	2
9	F06	49362P250000		空滤器固定板II	EMPTY FILTER FIXED BOARD	1

F07 燃油箱 FUEL TANK ASSY



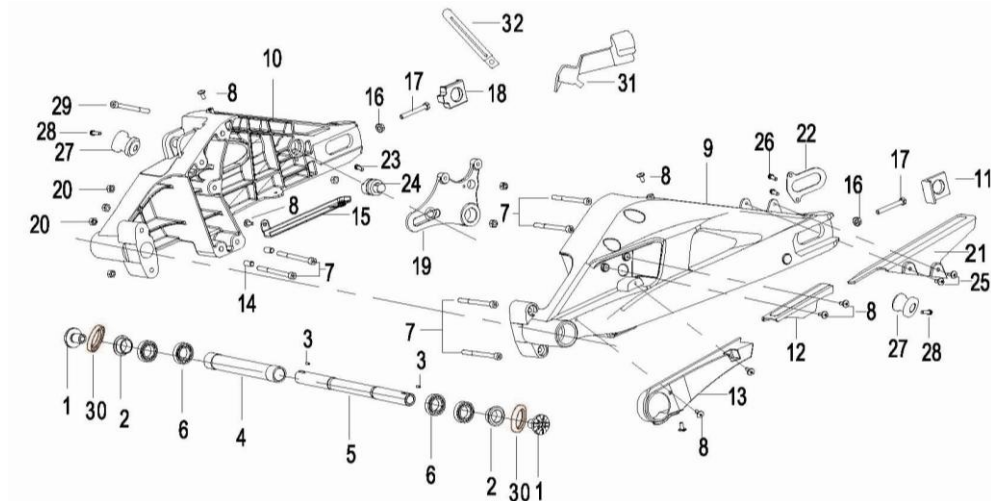
NO.	Position No.	CODE	钱江料号	CN DESCRIPTION	EN DESCRIPTION	Qty/Unit
1	F07	B0280050300A		内六角螺钉M5x30	SCREW M5x30	3
2	F07	B0280050140A		内六角螺钉M5x14	SCREW M5x14	4
3	F07	58430J000000		线夹组件	WIRE CLIP	1
4	F07	50202J800000		油箱盖密封垫	GASKET	1
5	F07	50210J800000		油箱盖支撑组件	THE FLAP RAISES SUPPORT	1
6	F07	50100P250001		油箱体组件	TANK,FUEL	1
7	F07	50027P250000		油箱前安装板	MOUNTING PAD, FUEL TANK	1
8	F07	50014P250000		橡胶垫衬管	RUBBER PAD LINER TUBE	2
9	F07	B01090601662		螺栓M6x25-8.8-ZG	BOLT M6x25	2
10	F07	50005P250000		油箱前安装垫	INSTALLATION PAD	2
11	F07	50400P250000		燃油泵组件	OIL PUMP ASSY.	1
12	F07	50370P250000		油管组件	TUBING	1
13	F07	50340N100001		滤清器组件	FILTER	1
14	F07	B01090607062		螺栓M6x70	BOLT M6x70	1
15	F07	50800P250001		油位传感器组件	OIL LEVEL INDICATOR	1
16	F07	B02830501662		汽油泵螺钉M5x16	SCREW M5x16	10
17	F07	B07020000602		垫圈φ6	GASKET 6	2
18	F07	B16010725001		下水管11x7x500	PIPE 11x7x500	1
19	F07	50808P250000		油位传感器密封圈	SEAL,OIL LEVEL SENSOR	1
20	F07	B17010105003		钢丝卡箍 10.5	SPRING CLIP 10.5	1

F08 座垫 SEAT ASSY



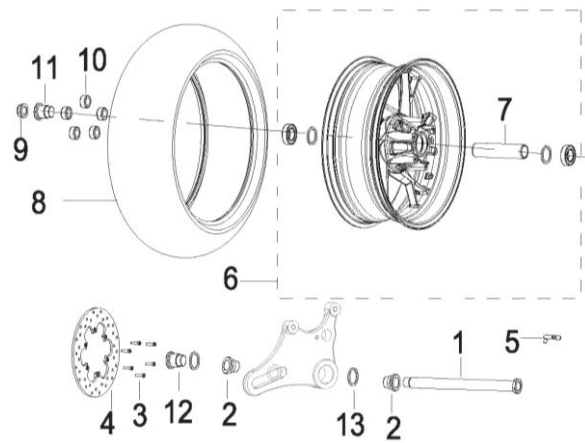
NO.	Position No.	CODE	钱江料号	CN DESCRIPTION	EN DESCRIPTION	Qty/Unit
1	F08	51100P250000		前座垫组件	SEAT ASSY.	1
2	F08	51200P250000		后座垫组件	SEAT ASSY.	1
3	F08	51008P250000		后座垫隔热锡箔纸	FOIL	1

F09 后摆臂 REAR ARM ASSY



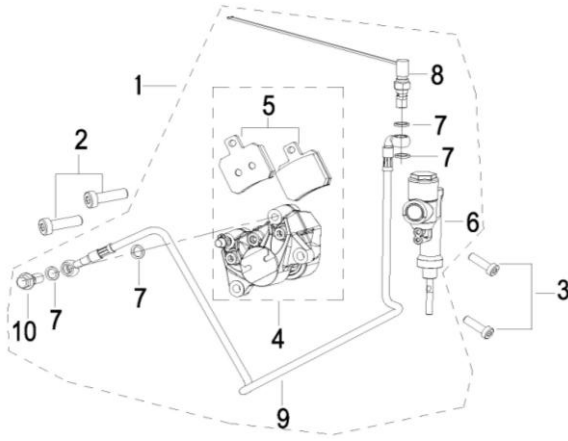
NO.	Position No.	CODE	钱江料号	CN DESCRIPTION	EN DESCRIPTION	Qty/U nit
1	F09	08013S010010		螺钉	SCREW	2
2	F09	53013P300000		后摆臂安装衬套	BUSHING	2
3	F09	B091404008B4		圆柱销4x8	PIN 4x8	2
4	F09	53005P250000		中间隔套	MID BUSHING	1
5	F09	53001P300010		后摆臂安装轴	ARM AFTER INSTALLATION	1
6	F09	B12016190500		滚动轴承61905-2RS	ROLLING BEARING	4
7	F09	B02050809262		螺钉M8x92	SCREW M8x92	6
8	F09	B02830601462		螺栓M6x1x14	BOLT M6x1x14	9
9	F09	53101P250000		左后摆臂	LEFT ARM AFTER	1
10	F09	53110P250000		右后摆臂组件	RIGHT REAR SWING ARM	1
11	F09	60151P300000		左链条调节块	LEFT CHAIN ADJUSTMENT	1
12	F09	60101P250000		前链罩	CHAIN COVER BEFORE	1
13	F09	53004P250000		链条防护块	CHAIN OF PROTECTION	1
14	F09	53019P250000		后摆臂定位销	DOWEL PIN	2
15	F09	53018P250000		后液刹管定位座	LOCATING SEAT	1
16	F09	B04070800052		螺母M8	NUT M8	2
17	F09	08002P300010		链条调节螺钉M8	SCREW M8	2
18	F09	60152P300000		右链条调节块	RIGHT CHAIN ADJUSTMENT	1
19	F09	55401P250000		制动钳支撑板	BRAKE CALIPER SUPPORT	1
20	F09	B04310800052		螺母M8	NUT M8	7
21	F09	60102P250000		后链罩	CHAIN COVER AFTER	1
22	F09	53128P300000		后摆臂加强板	REINFORCING PLATE	1
23	F09	B02810601662		螺钉M6x1x16	SCREW M6x16	1
24	F09	94010P300000		速度感应器	SPEED SENSOR	1
25	F09	B02830600862		螺栓M6x8	BOLT M6x8	2
26	F09	B02850501062		螺钉M5x10	SCREW M5x10	2
27	F09	53021P250000		支撑套	BUSH	2
28	F09	B02810602562		螺钉M6x25	SCREW M6x25	2
29	F09	B02050807562		螺栓M8x75	BOLT M8x75	1
30	F09	53220S010000		后摆臂密封圈	SEAL	2
31	F09	55035P250000		后液刹管线夹	CLIP,REAR DISC BRAKE	1
32	F09	08430P250000		线夹组件	CLIP	1

F10 后轮 REAR WHEEL ASSY.



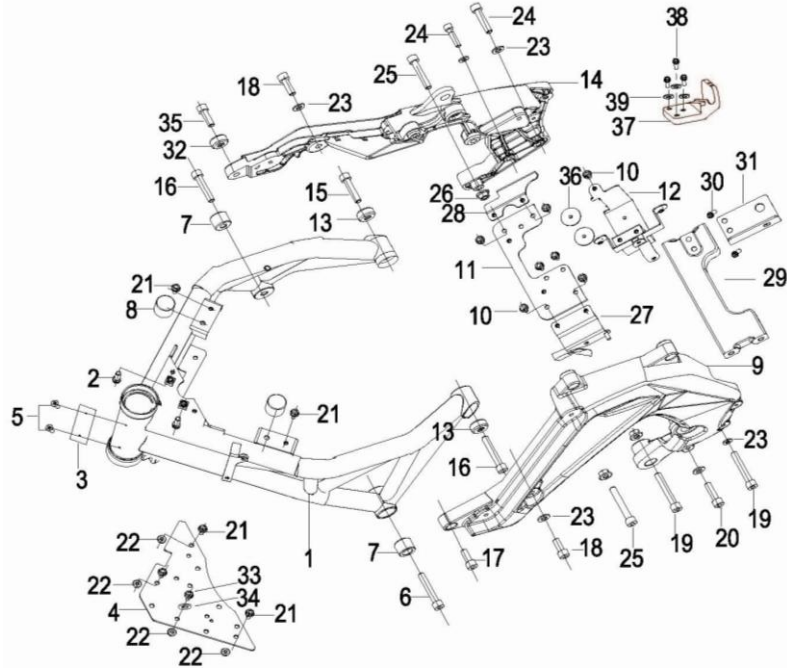
NO.	Position No.	CODE	钱江料号	CN DESCRIPTION	EN DESCRIPTION	Qty/Unit
1	F10	54004P250010		后轮轴	SHAFT,REAR WHEEL	1
2	F10	54005P250000		后轮右隔套	SPACER,RIGHT, REAR	2
3	F10	B02820602082		螺钉M6×20-10.9-ZG	SCREW M6×20	6
4	F10	55033S010000		DIA.240碟刹	DISK BRAKE	1
5	F10	44920S010000		气门嘴	VALVE	1
6	F10	54100P30001Z		后轮组件	FRONT WHEEL ASS	1
7	F10	54005P250000		后轮隔套	SPACER	1
8	F10	B140513B1701		真空胎180/55 ZR17	TUBE 180/55-17	1
9	F10	54019P300010		自锁螺母M24×1.5	NTU M24×1.5	1
10	F10	54622S010000		后轮缓冲套	BUFFER,REAR WHEEL	5
11	F10	54016P250000		后轮左轴套	BUSH,LEFT,REAR WHEEL	1
12	F10	54017P250000		后轮右轴套	BUSH,RIGHT,REAR WHEEL	2
13	F10	B190103650A0		O型圈36.5×1.8	TYPE O LAP 36.5×1.8	2

F11 后液刹 REAR DISK BRAKE ASSY



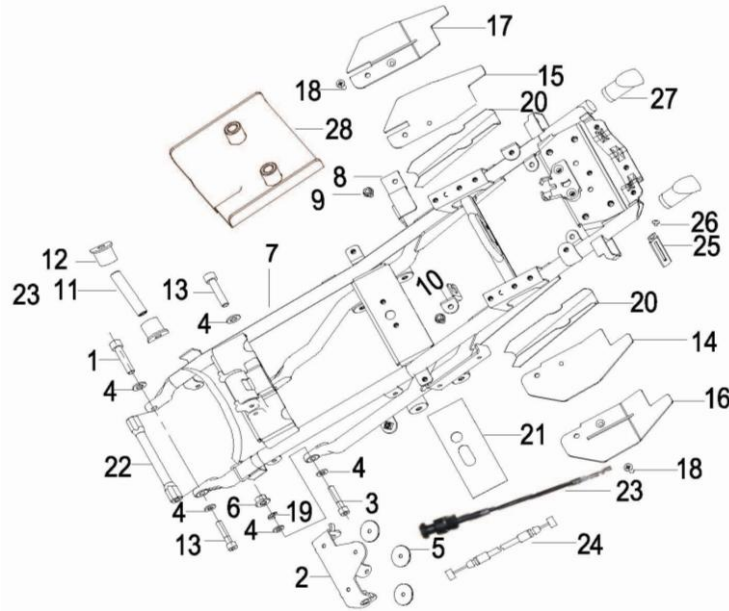
NO.	Position No.	CODE	钱江料号	CN DESCRIPTION	EN DESCRIPTION	Qty/Unit
1	F11	55900P250001		后液刹组件	REAR DISK BRAKE	1
2	F11	B02810802062		螺栓M8×1.25×20	BOLT M8×20	4
3	F11	B02810602062		螺栓M6×20	BOLT M6×20	2
4	F11	55600P300001		后制动缸组件(无BEN	HYDROCHECK ASSY,REAR	1
5	F11	55120P300000		摩擦片组件	BRAKE PAD ASSY	1
6	F11	55400P010000		油泵体组件	OIL PUMP ASSY.	1
7	F11	45078P300000		垫圈	WASHER	4
8	F11	55300S010000		后刹车指示	PARK BRAKE SWITCH	1
9	F11	55200P250000		后制动软管总成	BRAKE HOSE ASSY	1
10	F11	55037P300000		油管安装螺栓	BOLT	1

F12 前车架 FRONT FRAME ASSY.



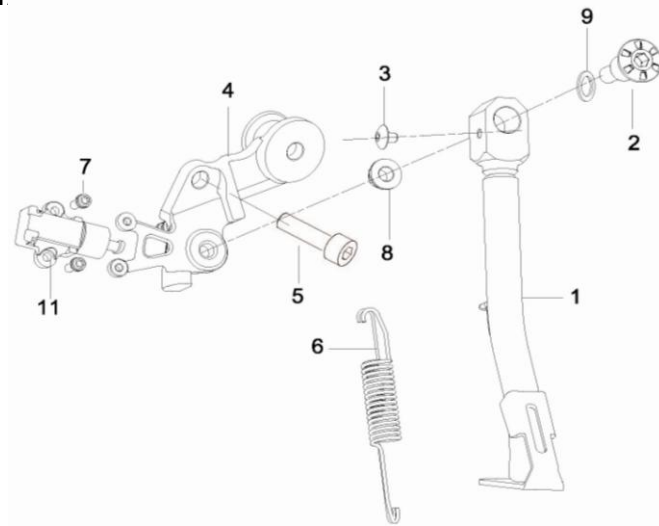
NO.	Position No.	CODE	钱江料号	CN DESCRIPTION	EN DESCRIPTION	Qty/U nit
1	F12	57110P25TY00		前车架焊接组件	FRAME JOINTING COMP.	1
2	F12	B02810802062		螺栓M8x1.25x20	BOLT M8x1.25x20	2
3	F12	57001P250002		车架标牌	FRAME SIGNS	2
4	F12	59430P250000		挡板组件	BAFFLE COMPONENTS	1
5	F12	B100432007P0		抽芯铆钉3.2x7	SIGN RIVETS 3.2x7	2
6	F12	B02051006062		内六角螺钉M10x60	SCREW M10x60	1
7	F12	57025P250000		车架装饰套I	FRAME OF ADORNMENT I	2
8	F12	50007P250000		油箱安装垫	TANK INSTALLATION PAD	2
9	F12	57211P250000		左侧铝车架	FRAME JOINTING COMP.	1
10	F12	B01820601462		螺栓M6x14	BOLT M6x14	8
11	F12	57140P250000		上托板组件	ON BOARD COMPONENTS	1
12	F12	58160P250000		水壶安装支架组件	BRACKET COMPONENT	1
13	F12	57026P250000		车架装饰套II	FRAME OF ADORNMENT II	2
14	F12	57212P250000		右侧铝车架	FRAME JOINTING COMP.	1
15	F12	B02051004562		内六角螺钉M10x45	SCREW M10x45	1
16	F12	B02051005062		内六角螺钉M10x50	SCREW M10x50	1
17	F12	B02051002262		内六角螺钉M10x22	SCREW M10x20	1
18	F12	B02051003062		内六角螺钉M10x30	SCREW M10x30	2
19	F12	B02051006562		内六角螺钉M10x65	SCREW M10x65	2
20	F12	B02051003562		内六角螺钉M10x35	SCREW M10x35	1
21	F12	B01820601462		螺栓M6x14	BOLT M6x14	5
22	F12	B04810600052		螺母M6	NUT M6	4
23	F12	B07030001002		垫圈φ10	GASKET 10	2
24	F12	B02051004562		内六角螺钉M10x45	SCREW M10x45	2
25	F12	B02051007562		内六角螺钉M10x75	SCREW M10x75	3
26	F12	B04171000052		自锁螺母M10	NUT M10	4
27	F12	57150P250000		左托架组件	LEFT BRACKET COMPONENT	1
28	F12	57160P250000		右托架组件	RIGHT BRACKET	1
29	F12	57406P250000		车体下加强体	STRENGTHENING BODY	1
30	F12	B02810802062		螺栓M8x1.25x20	BOLT M8x20	2
31	F12	58081P250000		消声器安装板	MUFFLER INSTALLATION	1
32	F12	57028P250000		车架装饰套III	FRAME OF ADORNMENT III	1
33	F12	B01820601662		螺栓M6x16	BOLT M6x16	1
34	F12	B07801250602		垫片6.4x12.5x1.6	WASHER 6.4x12.5x1.6	1
35	F12	B02810602062		螺栓M6x1x20	BOLT M6x1x20	1
36	F12	58821J040001		橡胶护圈	RUBBER	2
37	F12	60151P250000		链条下缓冲块	BUFFER	1
38	F12	B02810602562		螺钉M6x25	SCREW M6x25	3
39	F12	B07020000602		垫圈φ6	WASHER 6	3

F13 后车架 REAR FRAME ASSY



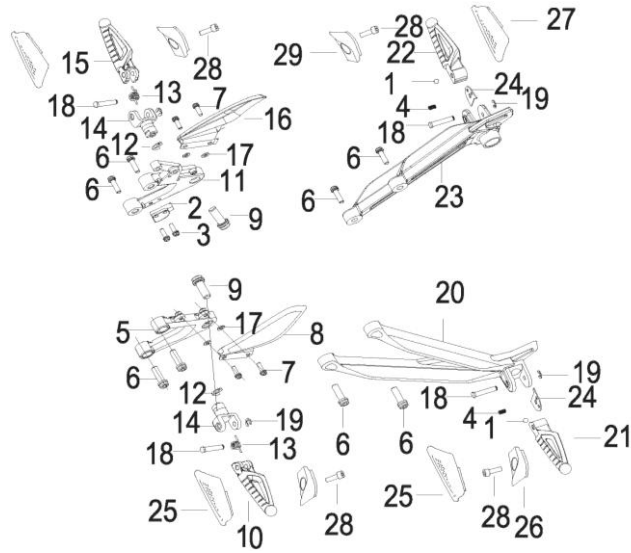
NO.	Position No.	CODE	钱江料号	CN DESCRIPTION	EN DESCRIPTION	Qty/Unit
1	F13	08001P250000		后车架固定螺钉M8x3	SCREW M8x35	1
2	F13	58750P250000		蓄电池支架焊接组件	BATTERY STENTS	1
3	F13	08003P250000		后车架固定螺钉M8x5	SCREW M8x53	1
4	F13	B07030000802		垫圈φ8	GASKET 8	5
5	F13	58821P250000		电瓶支架橡皮	RUBBER	3
6	F13	B04810800052		自锁螺母M8x1.25	NUT M8	2
7	F13	57120P250000		后车架焊接组件	AFTER WELDING	1
8	F13	57471P250000		防翻转继电器支架	STENTS	1
9	F13	B01820601462		螺栓M6x14	BOLT M6x14	2
10	F13	58851P250000		座垫钢索支架	SEAT CUSHION ROPE	1
11	F13	50221P250000		油箱安装轴套	BUSH	1
12	F13	50006P250000		油箱后安装垫	RUBBER CUSHION	2
13	F13	08002P250000		后车架固定螺钉M8x4	SCREW M8x40	2
14	F13	65615P250000		左隔热板锡箔纸	FOIL	1
15	F13	65616P250000		右隔热板锡箔纸	FOIL	1
16	F13	65605P250000		左隔热板	LEFT INSULATION BOARD	1
17	F13	65609P250000		右隔热板	RIGHT INSULATION BOARD	1
18	F13	B02010601622		螺钉M6x16	SCREW M6x16	2
19	F13	B07000000802		弹簧垫圈φ8	SPRING WASHER 8	2
20	F13	57032P250000		后车架隔热锡箔纸II	FOIL	1
21	F13	57031P250000		后车架隔热锡箔纸I	FOIL	1
22	F13	57037P250000		后车架连接螺杆	SCREW	1
23	F13	40680P250000		座垫钢索组件I	SEAT LOCK ASSY I	1
24	F13	58900P250000		座垫钢索组件II	SEAT LOCK ASSY II	1
25	F13	58430J000000		线夹组件	CLIP ASSY	1
26	F13	B02830600862		螺钉M6x8	SCREW M6x8	1
27	F13	57015P250000		后车架堵头	PLUG	2
28	F13	58460P250000		后车架挡板组件	BRACKET ASSY	1

F14 单撑 SIDE STAND ASSY



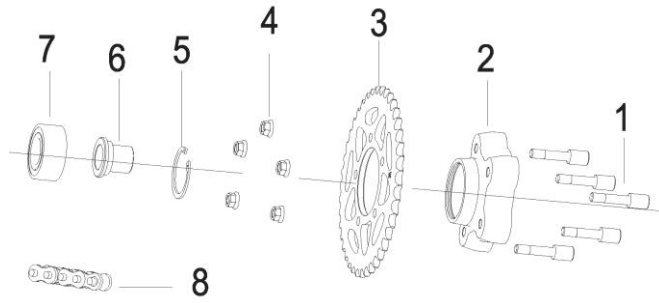
NO.	Position No.	CODE	钱江料号	CN DESCRIPTION	EN DESCRIPTION	Qty/U nit
1	F14	58700P250000		单撑组件	SIDE STAND WELDING ASSY.	1
2	F14	57005P250000		单撑安装螺钉	SCREW	1
3	F14	B02830600862		螺钉M6x8	SCREW M6x8	1
4	F14	57405P300000		单撑安装支架	MOUNTING BRACKET, SIDE	1
5	F14	B02051003562		内六角螺钉M10x35	BOLT M10x25	1
6	F14	57004S010000		弹簧组件 (含57004S)	SPRING ASSY	1
7	F14	B02810501262		螺钉M5x0.8x12	SCREW M5x12	2
8	F14	B04171212552		自锁螺母M12x1.25	NUT M12x1.25	1
9	F14	08021P250000		单撑安装垫圈	WASHER	1
11	F14	91170N070000		单撑熄火开关	SWITCH ,FLAMEOUT,SIDE	1

F15 脚踏 PEDAL ASSY



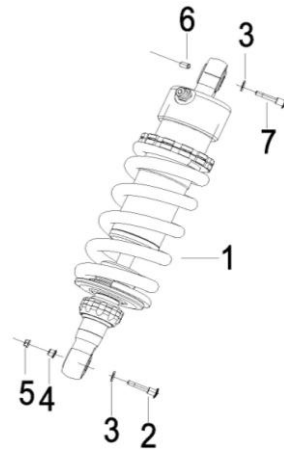
NO.	Position No.	CODE	钱江料号	CN DESCRIPTION	EN DESCRIPTION	Qty/Unit
1	F15	B06000002000		脚踏滚珠	PEDAL BALL	2
2	F15	58241P250000		刹车踏杆限位块	THE BRAKE ON ROD SET	1
3	F15	B02810501262		螺钉M5×0.8×12	SCREW M5×12	2
4	F15	58222B930000		前脚踏弹簧	PEDAL SPRING	2
5	F15	58226P250000		左前脚踏支架	LEFT BEFORE RIDING	1
6	F15	B02810802562		螺栓M8×1.25×25	BOLT M8×25	8
7	F15	B02810501462		螺栓M5×0.8×14	BOLT M5×14	4
8	F15	58205P250000		左脚踏防护罩	LEFT PEDAL SHIELDS	1
9	F15	B02810801662		螺栓M8×16	BOLT M8×16	2
10	F15	58226S010000		左前脚踏蹬	LEFT FRONT FOOT PEDAL	1
11	F15	58246P250000		右前脚踏支架	PEDAL STENTS RIGHT	1
12	F15	B07000000802		弹簧垫圈 8	WASHER 8	2
13	F15	58222S010010		脚踏蹬弹簧	SPRING	2
14	F15	58227K740000		蹬蹬座	MOUNTING BASE,	2
15	F15	58246S010000		右前脚踏蹬	RIGHT FOOT PEDAL	1
16	F15	58405P250000		右脚踏防护罩	RIGHT PEDAL SHIELDS	1
17	F15	B07800000502		垫片5.3×10×1 ZG	GASKET	4
18	F15	58217S010010		脚踏安装销	PIN	4
19	F15	B0882000050A		挡圈φ5	BLOCK CIRCLE	4
20	F15	58266P250000		左后脚踏支架	LEFT PEDAL AFTER STENT	4
21	F15	58266S010000		左后脚踏	LEFT PEDAL	1
22	F15	58286S010000		右后脚踏	RIGHT REAR PEDAL	1
23	F15	58286P250000		右后脚踏支架	RIGHT REAR PEDAL STENTS	1
24	F15	58451S010000		脚踏安装板	PEDAL INSTALLATION	2
25	F15	08352S020000		左脚踏橡胶	LEFT PEDAL RUBBER	2
26	F15	58205S020000		左脚踏橡胶垫块	LEFT PEDAL RUBBER PAD IS	2
27	F15	08372S020000		右脚踏橡胶	RUBBER,PEDAR RIGHT	2
28	F15	B0280040100A		螺钉M4×10	SCREW M4×10	4
29	F15	58405S020000		右脚踏橡胶垫块	RUBBER,PEDAR RIGHT	2

F16 驱动 SPROCKET ASSY



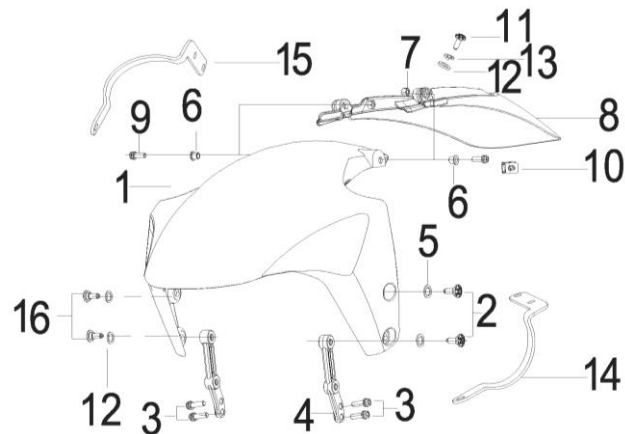
NO.	Position No.	CODE	钱江料号	CN DESCRIPTION	EN DESCRIPTION	Qty/Unit
1	F16	60015P250010		链轮固定螺栓	BOLT, SPROCKET	5
2	F16	60001P250000		链轮毂	DRUM, SPROCKET	2
3	F16	60002P250000		链轮	SPROCKET	1
4	F16	B04821012552		自锁螺母M10x1.25	NUTM10	5
5	F16	B08810006200		挡圈Φ62	CIRCLIP 62	1
6	F16	54016S010000		链轮轴套	DRIVE SHAFT SLEEVE, CHAIN	1
7	F16	54553S010000		轴承30x62x23.8	BEARING 30x62x23.8	1
8	F16	60310P250001		链条118节	CHAIN 118	1

F17 后减震器 REAR ABSORBER



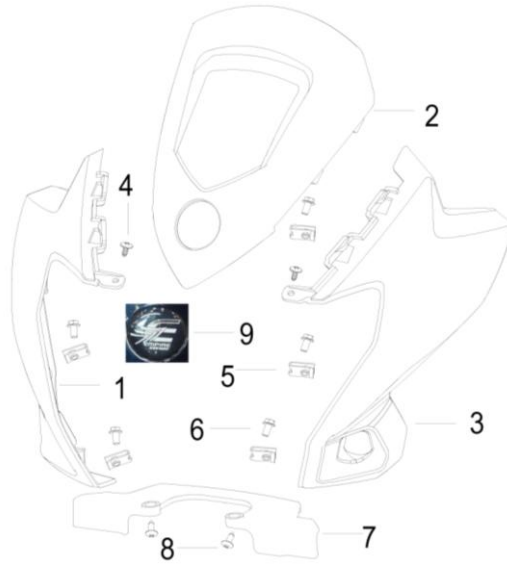
NO.	Position No.	CODE	钱江料号	CN DESCRIPTION	EN DESCRIPTION	Qty/Unit
1	F17	63800P250000		后减震器组件	ABSORBER ASSY.	1
2	F17	63015P250010		后减震下固定轴	FIXED AXIS	1
3	F17	63013P250000		后减震器安装垫片	WASHER 10	2
4	F17	53013P250000		衬套	BUSHING	1
5	F17	B04821012552		螺母	NUTM10x1.25	1
6	F17	57027P250000		轴套	BUSH	1
7	F17	63012P250010		后减震上固定轴	FIXED AXIS	1

F18 前挡泥板 FRONT FENDER ASSY



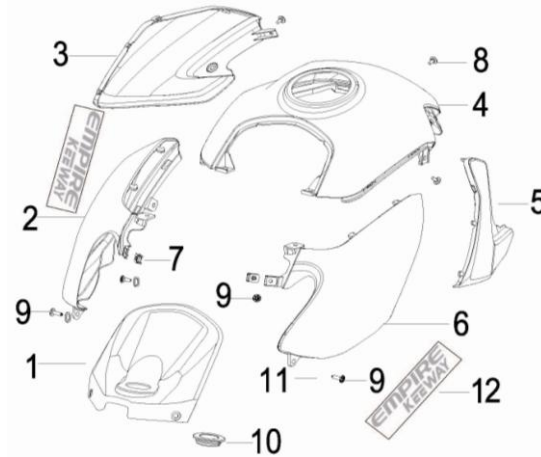
NO.	Position No.	CODE	钱江料号	CN DESCRIPTION	EN DESCRIPTION	Qty/Unit
1	F18	65101P25BA00		前挡泥板(平光银黑BA	FRONT SMALL	1
2	F18	B0284060150A		螺钉M6×15.2	SCREW M6×15.2	2
3	F18	B02810501462		螺栓M5×0.8×14	BOLT M5×0.8×14	4
4	F18	65141S010000		前泥板安装板	INSTALLATION BOARD	2
5	F18	47936S010000		灰色尼龙	GASKET	4
6	F18	65105S040000		T型衬套5×7×6×10×0.	T BUSHING 5×7×6×10×0.8	2
7	F18	B04000500052		螺母M5	NUT M5	2
8	F18	65102P250000		前小挡泥板	LITTLE FENDER BEFORE	2
9	F18	B02810501462		螺栓M5×0.8×14	SCREW M5×0.8×14	2
10	F18	08053G120000		护板安装夹紧螺母	NUT	1
11	F18	B02180501262		螺钉5×12	SCREWS M5×12	1
12	F18	B0703000050A		垫圈 5	WASHER 5	1
13	F18	B0700000050L		弹簧垫圈 5	SPRING WASHER 5	1
14	F18	65131P250000		前挡泥板左支撑板	FIXING BOARD,LEFT	1
15	F18	65141P250000		前挡泥板右支撑板	FIXING BOARD,RIGHT	1
16	F18	B0284060190A		螺钉M6×19.2	SCREW M6×19.2	2

F19号流罩 COWLING ASSY



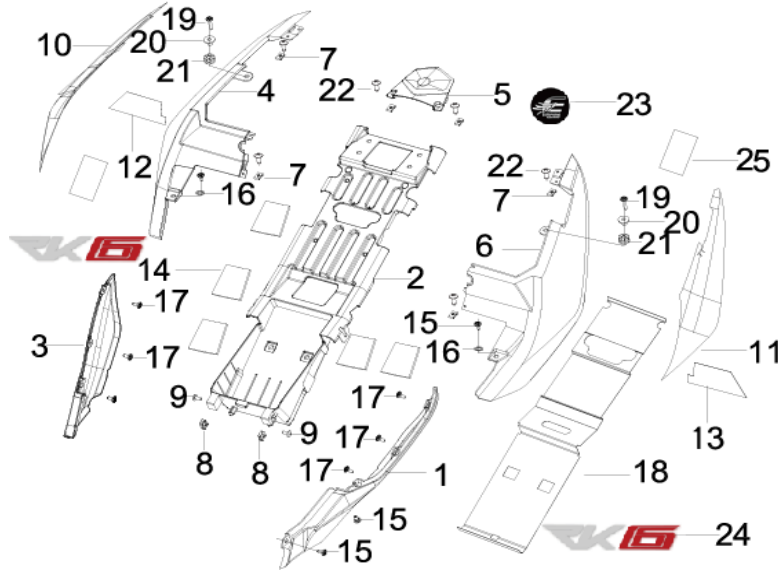
NO.	Position No.	CODE	钱江料号	CN DESCRIPTION	EN DESCRIPTION	Qty/Unit
1	F19	65531P25W500		右导流罩安装板(公安)	BRACKET. II, COWLING,	1
1	F19	65531P25B200		右导流罩安装板(珍珠)	BRACKET. II, COWLING,	1
1	F19	65531P25M900		右导流罩安装板(750)	BRACKET. II, COWLING,	1
1	F19	65531P25H200		右导流罩安装板(魔力)	BRACKET. II, COWLING,	1
2	F19	65503P250000		挡风玻璃	WINDERSHIELD	1
3	F19	65521P25W500		左导流罩安装板(公安)	BRACKET. II,	1
3	F19	65521P25B200		左导流罩安装板(珍珠)	BRACKET. II,	1
3	F19	65521P25M900		左导流罩安装板(750)	BRACKET. II,	1
3	F19	65521P25H200		左导流罩安装板(魔力)	BRACKET. II,	1
4	F19	B0500420952A		自攻螺钉ST4.2x9.5	SCREW	2
5	F19	08053G120000		护板安装夹紧螺母	NUT	5
6	F19	B01820501062		螺钉M5x10	SCREW M5x10	5
7	F19	65504P250000		导流罩挡板	FIXING BOARD	1
8	F19	B05074001202		自攻螺钉ST4.0x12	SCREW M4x12	2
9	F19	70062M040001		仪表标牌Empire/keew	LABEL EMPIRE/KEEWAY	1

F20 油箱护板 FUEL TANK PLATE



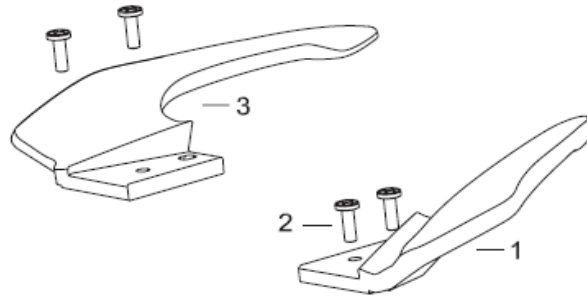
NO.	Position No.	CODE	钱江料号	CN DESCRIPTION	EN DESCRIPTION	Qty/Unit
1	F20	65671P250000		油箱前护板	TANK ARMOR PLATE	1
2	F20	65632P25BA00		右前护板(平光银黑BA)	FRONT SIDE COVER,R SATIN	1
3	F20	50016P25HP00		油箱右护板(PV2#平光)	GUARD BOARD, FUEL TANK,	1
4	F20	65672P25016Z		油箱中间护板(750橙M)	AMONG TANK GUARD	1
4	F20	65672P25013Z		油箱中间护板(公安白)	AMONG TANK GUARD	1
4	F20	65672P25015Z		油箱中间护板(魔力黑)	AMONG TANK GUARD	1
4	F20	65672P25014Z		油箱中间护板(珍珠黑)	AMONG TANK GUARD	1
5	F20	50015P25HP00		油箱左护板(PV2#平光)	GUARD BOARD, FUEL TANK,L	1
6	F20	65631P25BA00		左前护板(平光银黑BA)	FRONT SIDE COVER,L SATIN	1
7	F20	65625J560000		卡螺母	NUT	4
8	F20	08018B910000		螺栓	BOLT	11
9	F20	B0284060150A		螺钉M6x15.2	SCREW M6x15.2	4
10	F20	50116P250000		油箱前护板装饰套	ADORNMENT SET	1
11	F20	47936S010000		灰色尼龙	GRAY NYLON	15
12	F20	05512P250003		左右前护板标贴	LABEL	2

F21 护板 SIDE COVER ASSY



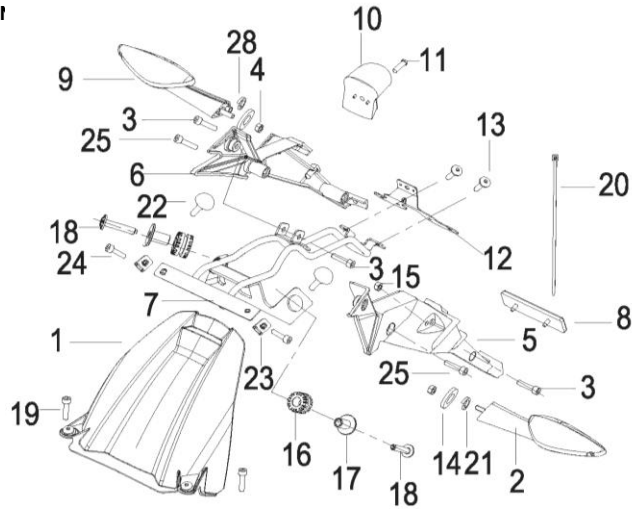
NO.	Position No.	CODE	钱江料号	CN DESCRIPTION	EN DESCRIPTION	Qty/Unit
1	F21	65603P250000		左下护板	DECORATING PLATE, GUARD	1
2	F21	65416P250000		蓄电池盒	BATTERY BOX	1
3	F21	65604P250000		右下护板	SIDE COVER ASSY.	1
4	F21	65602P25W500		右护板(公安白W5)	LOWER RIGHT GUARD	1
4	F21	65602P25B200		右护板(珍珠黑B2)	LOWER RIGHT GUARD	1
4	F21	65602P25M900		右护板(750橙M9)	LOWER RIGHT GUARD	1
4	F21	65602P25H200		右护板(魔力黑H2)	LOWER RIGHT GUARD	1
5	F21	65606P25W500		左右护板后联接板(公)	CONNECTION BOARD	1
5	F21	65606P25B200		左右护板后联接板(珍)	CONNECTION BOARD	1
5	F21	65606P25M900		左右护板后联接板(75)	CONNECTION BOARD	1
5	F21	65606P25H200		左右护板后联接板(魔)	CONNECTION BOARD	1
6	F21	65601P25W500		左护板(公安白W5)	LEFT LOWER GUARD	1
6	F21	65601P25B200		左护板(珍珠黑B2)	LEFT LOWER GUARD	1
6	F21	65601P25M900		左护板(750橙M9)	LEFT LOWER GUARD	1
6	F21	65601P25H200		左护板(魔力黑H2)	LEFT LOWER GUARD	1
7	F21	65801T020000		卡片ST4.2	ST4.2 CARD	6
8	F21	65625J560000		卡片螺母	INSERT ST4.2	2
9	F21	B02830601462		螺栓M6x14	Bolt M6x14	4
10	F21	65637P250000		右护板隔热锡箔纸I	FOIL I,RIGHT	1
11	F21	65636P250000		左护板隔热锡箔纸I	FOIL I,LEFT	1
12	F21	65608P250000		右护板前隔热锡箔纸	FOIL,RIGHT	1
13	F21	65607P250000		左护板前隔热锡箔纸	FOIL,LEFT	1
14	F21	50007J410000		油箱安装垫	CUSHION	5
15	F21	B0284060150A		螺钉M6x15.2	SCREW M6x15.2	2
16	F21	47936S010000		灰色尼龙	GRAY NYLON	2
17	F21	B0500420952A		自攻螺钉ST4.2x9.5	TAPPING SCREWS ST4.2x9.5	6
18	F21	65427P250000		蓄电池盒隔热锡箔纸	FOIL	1
19	F21	B0284060300A		不锈钢螺钉M6x30	THE STAINLESS STEEL	2
20	F21	82018H010050		尾灯衬套	TAIL LIGHTS BUSHING	2
21	F21	82024H010000		尾灯防震垫	TAIL LIGHTS ANTI-SHOCK	2
22	F21	B05004201302		自攻螺钉ST4.2x13	TAPPING SCREW ST4.2x13	6
23	F21	05517P250002		左右护板后联接板贴	EMPIRE KEEWAY	1
24	F21	05511P250002		左右护板贴花RK6	LABEL RK6	2
25	F21	65638P250000		护板隔热锡箔纸II	FOIL II,SIDE COVER	2

F22 后扶手 REAR CARRII



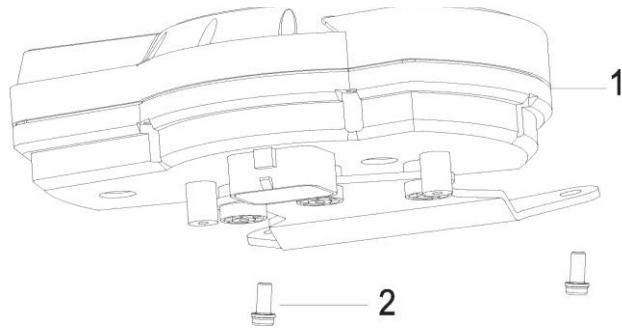
NO.	Position No.	CODE	钱江料号	CN DESCRIPTION	EN DESCRIPTION	Qty/Unit
1	F22	52002P25B400		左后扶手(哑光黑B4)	RR. ARM REST, BLACK B4	1
2	F22	52018J800000		后货架螺钉I	SCREW	4
3	F22	52011P25B400		右后扶手(哑光黑B4)	RR. ARM REST, BLACK B4	1

F23 后泥板组件REAR FEI



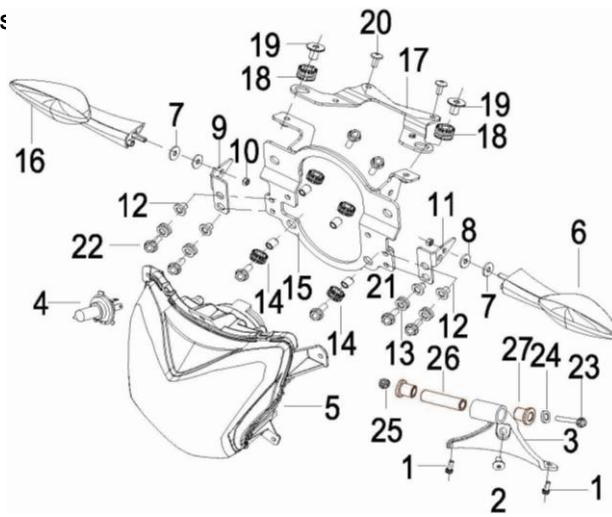
NO.	Position No.	CODE	钱江料号	CN DESCRIPTION	EN DESCRIPTION	Qty/Unit
1	F23	65761P250000		后下挡泥板	REAR FENDER	1
2	F23	81500P250000		后左转向灯	TURN SIGNAL, RR., L.	1
3	F23	B02810601262		螺钉M6x12	SCREW M6x12	2
4	F23	B04800600052		螺母M5	NUT M5	3
5	F23	65701P250000		后挡泥板左件	REAR FENDER	1
6	F23	65709P250000		后挡泥板右件	REAR FENDER	1
7	F23	65770P250000		后泥板支架组件	STENTS	1
8	F23	86500B720001		后反射体	REFLECTOR	1
9	F23	81700P250000		后右转向灯	TURN SIGNAL, RR., R.	1
10	F23	82900B470000		后牌照灯	LICENSE PLATE LAMP	1
11	F23	B05004201302		自攻螺钉ST4.2x13	TAPPING SCREWS ST4.2x13	1
12	F23	08202S010000		后牌照支架	LICENCE AFTER STENT	1
13	F23	B02830501662		汽油泵螺钉M5x16	SCREW M6x16	2
14	F23	B07801250602		垫片6.4x12.5x1.6	WASHER 6.4x12.5x1.6	2
15	F23	B04800600052		螺母M6-8-ZG	NUT M6-8-ZG	1
16	F23	65821S010000		橡胶块	RUBBER BLOCK	2
17	F23	59452P250000		散热器安装隔套	SPACER BUSH	2
18	F23	B0284060300A		不锈钢螺钉M6x30	SCREW M6x30	2
19	F23	B02810601462		螺栓M6x14	BOLT M6x14	2
20	F23	40098B450000		绑扎带3x150	BAND 3x150	1
21	F23	B07000000602		弹簧垫圈6	SPRING WASHER 6	2
22	F23	58302B450000		缓冲块	BUFFER	2
23	F23	65625J560000		卡螺母M6	NUT M6	2
24	F23	B02810601662		螺钉M6x16	SCREW M6x16	2
25	F23	B02810602562		螺钉M6x25	SCREW M6x25	2

F24 仪表SPEEDOMETE



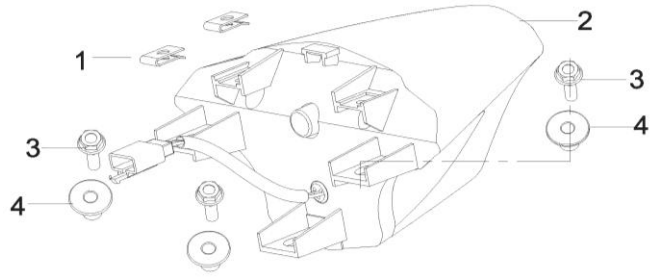
NO.	Position No.	CODE	钱江料号	CN DESCRIPTION	EN DESCRIPTION	Qty/Unit
1	F24	70000P250000		仪表总成	SPEEDONETER ASSY	1
2	F24	B02810601662		螺钉M6×1×16	SCREW M6×16	2

F25 前照灯 HEAD LIGHT AS



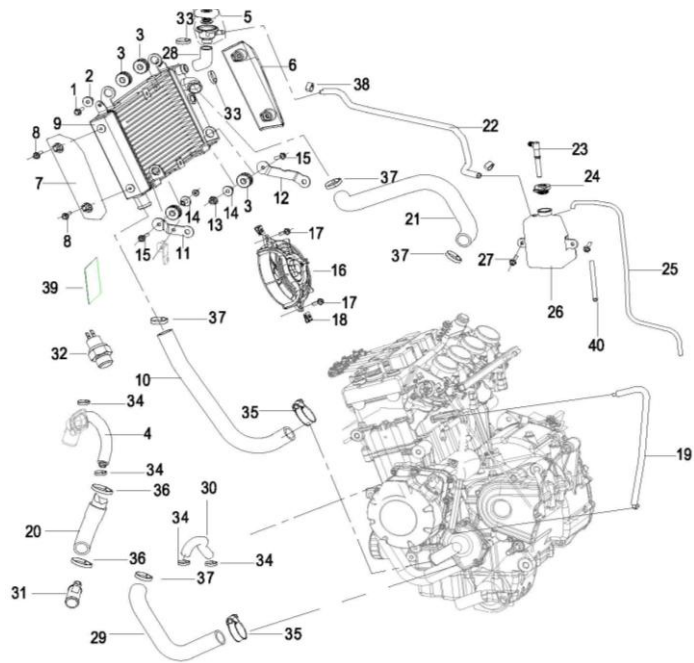
NO.	Position No.	CODE	钱江料号	CN DESCRIPTION	EN DESCRIPTION	Qty/Unit
1	F25	B02810501262		螺钉M5×0.8×12	SCREW M5×0.8×12	2
2	F25	B02830601462		螺栓M6×1×14	BOLT M6×1×14	1
3	F25	08521P250000		大灯下安装座	HEADLAMPS INSTALL A	1
4	F25	B24010120000		HS1灯泡	BULB 12V/35W	2
5	F25	80000P250000		前照灯	HEAD LIGHT	1
6	F25	81100P250000		前左转向灯	TURN SIGNAL, FR., R.	1
7	F25	B07030000602		垫圈φ6	GASKET 6	2
8	F25	B07000000602		弹簧垫圈φ6	SPRING WASHER 6	2
9	F25	43048P250000		前右转向灯支架	RIGHT BEFORE THE LIGHTS	1
10	F25	B04800600052		螺母M6-8-ZG	NUTM6	2
11	F25	43047P250000		前左转向灯支架	FRONT LEFT TURN TO THE	1
12	F25	82015S010000		衬套H6	BUSH	4
13	F25	43038P250000		前转向灯支架橡胶套	BUSH,RUBBER	4
14	F25	65618J820000		护板橡胶垫	GUARD BOARD RUBBER PAD	4
15	F25	08330P250000		大灯安装架组件	HEADLAMPS MOUNTS	1
16	F25	81300P250000		前右转向灯	TURN SIGNAL, FR., R.	1
17	F25	08510P250000		大灯上安装座	LAMPS INSTALLED ON A	1
18	F25	65821S010000		橡胶块	BLOCK RUBBER	2
19	F25	08513P250000		大灯上安装隔套	EVERY SET OF	2
20	F25	B02810601662		螺钉M6×16	SCREW M6×16	2
21	F25	65913J820000		护板衬套	GUARD BOARD BUSHING	4
22	F25	B01820602062		螺钉M6×20	SCREW M6×20	8
23	F25	B01090606062		螺栓M6×60	BOLT M6×60	1
24	F25	B07020000602		垫圈φ6	WASHER 6	1
25	F25	B04810600052		螺母6	NUT M6	1
26	F25	08523P250000		大灯下安装隔套	SPACER BUSH	1
27	F25	08524P250000		大灯缓冲套	BUFFER	2

F26 尾灯 REAR LAMP ASSY



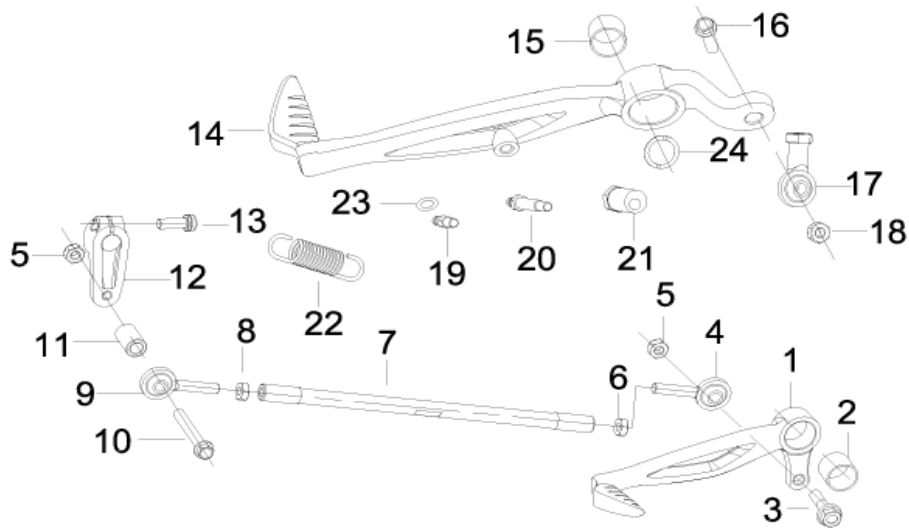
NO.	Position No.	CODE	钱江料号	CN DESCRIPTION	EN DESCRIPTION	Qty/Unit
1	F26	65801T020000		卡片ST4.2	CARD ST4.2	2
2	F26	82000P250000		尾灯	REAR LAMP	1
3	F26	B01820602562		螺栓M6x25-8.8-ZG	BOLT M6x25	3
4	F26	82018H010050		衬套	BUSHING	3

F27 水箱组件 WATER TANK ASSY

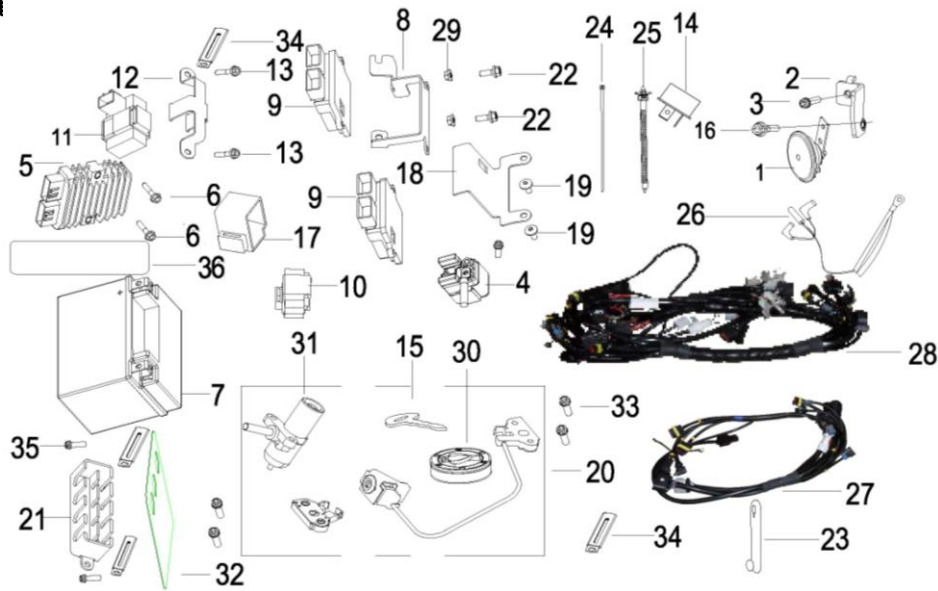


NO.	Position No.	CODE	钱江料号	CN DESCRIPTION	EN DESCRIPTION	Qty/U nit
1	F27	B01090602562		螺栓M6×25	BOLT M6×25	2
2	F27	59452P250000		散热器安装隔套	EVERY SET INSTALLATION	2
3	F27	65821S010000		橡胶块	RUBBER PIECES	4
4	F27	06255P250000		油冷器回水管	OIL TANKS BACK TO	1
5	F27	279186030000		加水口组件	ADDING WATER MOUTH	1
6	F27	06202P250000		散热器右装饰板	THE RADIATOR RIGHT	1
7	F27	06201P250000		散热器左装饰板	THE RADIATOR LEFT OUTFIT	1
8	F27	B02830601462		螺栓M6×1×14	BOLT M6×1×14	4
9	F27	270146030000		水箱风扇组件	RADIATOR ASSY	1
10	F27	06211P250000		发动机进水管I	ENGINE FEED LINE I	1
11	F27	59440P250000		左散热器支架组件	LEFT RADIATOR SUPPORT	1
12	F27	59450P250000		右散热器支架组件	RIGHT RADIATOR SUPPORT	1
13	F27	B04810600052		螺母M6×1	NUT M6	2
14	F27	08513P250000		大灯上安装隔套	EVERY SET OF	2
15	F27	B01090603062		螺栓M6×30	BOLT M6×30	2
16	F27	270146030000		水箱风扇组件	WATER TANK FAN	1
17	F27	B02810601262		螺栓M6×12-8.8-ZG	BOLTM6×12-8.8-ZG	2
18	F27	B04810600052		螺母M6×1	NUT M6×1	2
19	F27	06227P250000		水泵与水管连通管	WATER PUMP AND WATER	1
20	F27	06212P250000		发动机进水管II	ENGINE FEED LINE. II	1
21	F27	06251P250000		发动机出水管I	ENGINE FEED LINE I	1
22	F27	06223P250000		散热器溢流管	WATERPROOF	1
23	F27	14039S040000		水管	GUIDE TUBE	1
24	F27	14030S040000		副水箱盖	VICE WATER TANK COVER	1
25	F27	06224P250000		水壶溢流管	WATERPROOF	1
26	F27	06111P250000		膨胀水壶	INFLATION KETTLE	1
27	F27	B01820601462		螺栓M6×14	BOLT M6×14	2
28	F27	06225P250000		散热器加水管	RADIATOR AND CONDUIT	1
29	F27	06213P250000		发动机进水管III	ENGINE FEED LINE III	1
30	F27	06215P250000		油冷器进水管	OIL TANKS FEED LINE	1
31	F27	06214P250000		三通管	TEE	1
32	F27	279115050000		出水温开关组件	SENSOR,WATER	1
33	F27	06106P250000		卡箍27.1-706R	CLAMP 271	2
34	F27	06104P250000		卡箍24.1-706R	CLAMP	4
35	F27	270026110000		不锈钢卡箍	CLAMP	2
36	F27	320186090000		卡箍036.1-706R0	CLAMP	2
37	F27	49650S010000		卡箍033.1-706R	CLAMP 331	5
38	F27	50376S010000		卡箍 10	CLAMP 10	4
39	F27	06228P250000		水管隔热铝箔纸	ALUMINUM FOIL	1
40	F27	06226P250000		溢流管	PIPE	1

F28 发动机附件 ENGINE ATTACHMENT ASSY.

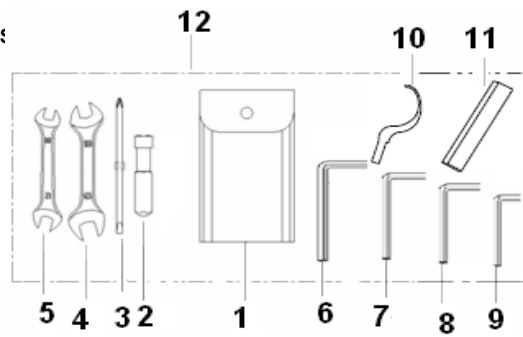


NO.	Position No.	CODE	钱江料号	CN DESCRIPTION	EN DESCRIPTION	Qty/Unit
1	F28	08380S010000		变档踏板组件	CHANGE GEAR PEDAL	1
2	F28	58511S010000		自润滑衬套	SELF-LUBRICATING	1
3	F28	B01820602062		螺栓M6x25-8.8-ZG	BOLT M6x25	1
4	F28	40706S040000		M6左节头	M6 LEFT SECTION HEAD	1
5	F28	B04810600052		螺母M6	NUTM6	2
6	F28	08051S040010		左螺母M6	NUTM6	1
7	F28	08371P250000		连杆	CONNECTING ROD	1
8	F28	B04800600052		螺母M6-8-ZG	NUTM6	1
9	F28	08375S010000		节头	SECTION HEAD	1
10	F28	B01090604262		螺栓M6x42	BOLT M6x42	1
11	F28	08376P250000		隔套	EVERY SET OF	1
12	F28	08381S010000		变档杆安装座	CHANGE GEAR LEVER	1
13	F28	B02810601662		螺钉M6x1x16	SCREW M6x16	1
14	F28	40710P250000		后刹车踏板组件	BRAKE ON ROD AFTER	1
15	F28	58511S010000		自润滑衬套	SELF-LUBRICATING	1
16	F28	B01820602562		螺栓M6x25-8.8-ZG	BOLT M6x25	1
17	F28	40283S010000		节头 M6	SECTION HEADER	1
18	F28	B04810600052		螺母M6x1	NUT	1
19	F28	40273S010010		上部弹簧销	UPPER SPRING DOWEL	1
20	F28	40717P250000		下部弹簧销	LOWER SPRING DOWEL	1
21	F28	40705P250000		偏心推杆	ECCENTRIC PUSH ROD	1
22	F28	40702P250000		刹车踏板复位弹簧	SPRING	1
23	F28	B07800000502		垫片5,3x10x1 ZG	GASKET 5.3x10x1 ZG	1
24	F28	58216S010000		垫圈	WASHER	1



NO.	Position No.	CODE	钱江料号	CN DESCRIPTION	EN DESCRIPTION	Qty/Unit
1	F29	95100P250000		喇叭	HORN	1
2	F29	59420P250000		喇叭安装座	HORN INSTALLED A	1
3	F29	B02810601462		螺钉M6x14	SCREW M6x14	1
4	F29	94000S010000		启动继电器	RELAY STARTER	1
5	F29	299066060000		整流器	RECTIFIER	1
6	F29	B01090603062		螺栓M6x30	BOLT M6x30	2
7	F29	96100N140000		蓄电池YTX9-BS	BATTERY,YTX9-BS	1
8	F29	57462P250000		ECU安装板2	HOLDER ECU	1
9	F29	96C00P250000		ECU	ECU	2
10	F29	94300N070000		防翻转继电器	RELAYOR, ANTI-OVERTURN	1
11	F29	96400P250000		闪光器	FLASH APPARATUS	1
12	F29	96404P250000		闪光器安装支架	FLASHER MOUNTING	1
13	F29	B01820601462		螺栓M6x14	BOLT M6x14	2
14	F29	96700K060000		启动二极管	START DIODE	1
15	F29	88900S010000		钥匙毛坯(钥匙柄光板)	KEY NUT	1
16	F29	B02810601262		螺栓M6x12-8.8-ZG	BOLT M6x12	1
17	F29	98901S010000		传感器橡胶	SENSOR RUBBER	1
18	F29	58820P250000		电瓶压板组件	BATTERY LINKING PIECE	1
19	F29	B02830601462		螺栓M6x1x14	BOLT M6x14	2
20	F29	88000P250003		套锁	LOCK ASSY	5
21	F29	02141P250000		电缆插件盒	CABLE PLUGIN BOX	1
22	F29	B01820601662		螺栓M6x16-8.8-ZG	BOLT M6x16	2
23	F29	96003P250000		软线夹	SOFT WIRE CLIP	7
24	F29	40098B450000		绑扎带	BINDING WITH	10
25	F29	96001T750000		绑带150mm	BINDING WITH	1
26	F29	92200P250000		电源线	POWER	1
27	F29	92000P250000		ECU1电缆总成	ECU1 CABLE ASSEMBLY	1
28	F29	92000P250003		ECU2电缆总成	ECU2 CABLE ASSEMBLY	1
29	F29	B04810600052		螺母M6x1	NUT	2
30	F29	88400S010000		油箱锁	LOCK,FUEL TANK	1
31	F29	88100P300000		电源锁组件(折叠钥匙)	MAIN LOCK	1
32	F29	65426P250000		蓄电池盒隔热锡箔纸II	ALUMINUM FOIL,BATTERY	1
33	F29	B02810602062		螺栓M6x1x20	BOLT M6x1x20	2
34	F29	58430J000000		线夹组件	CLIP ASSY	5
35	F29	B02810501262		螺钉M5x0,8x12	SCREW M5x0,8x12	2
36	F29	96806P250000		保险丝盒隔热锡箔纸	FOIL,FUSE BOX	1

F30 随车工具 TOOL KIT A:



NO.	Position No.	CODE	钱江料号	CN DESCRIPTION	EN DESCRIPTION	Qty/Unit
1	F30	02110J000000		工具袋	HAT	1
2	F30	02106J000000		手柄组件	HANDLE COMPONENT	1
3	F30	02103J000000		双头起子	TWO-HEADED	1
4	F30	B20011401703		双头呆扳手14-17	DOUBLE 14-17 STAY	1
5	F30	B20011001203		双头呆扳手10-12	DOUBLE 10-12STAY	1
6	F30	B20020800003		内六角扳手 8	HEX WRENCH 8	1
7	F30	B20020600003		内六角扳手 6	HEX WRENCH 6	1
8	F30	B20020500003		内六角扳手 5	HEX WRENCH 5	1
9	F30	B20020400003		内六角扳手 4	HEX WRENCH 4	1
10	F30	02115P250000		后减震调节扳手	SHOCK AFTER ADJUSTMENT	1
11	F30	02111P250000		套筒	SLEEVE	1
12	F30	02100P250000		随车工具	TOOL KIT ASSY	1