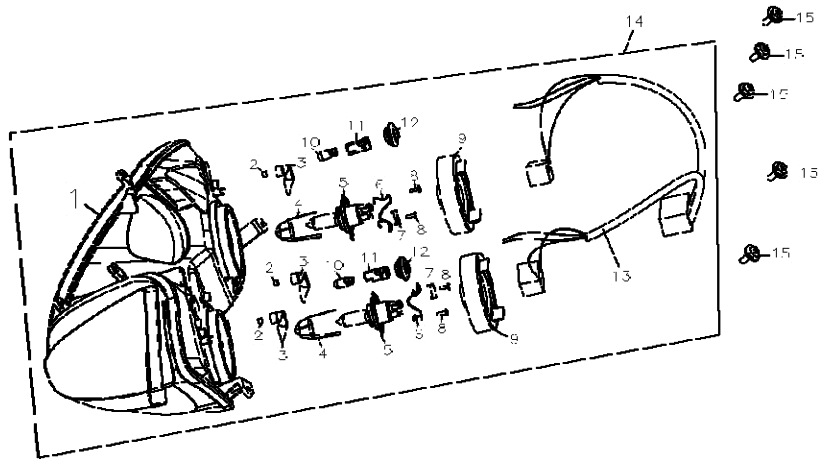
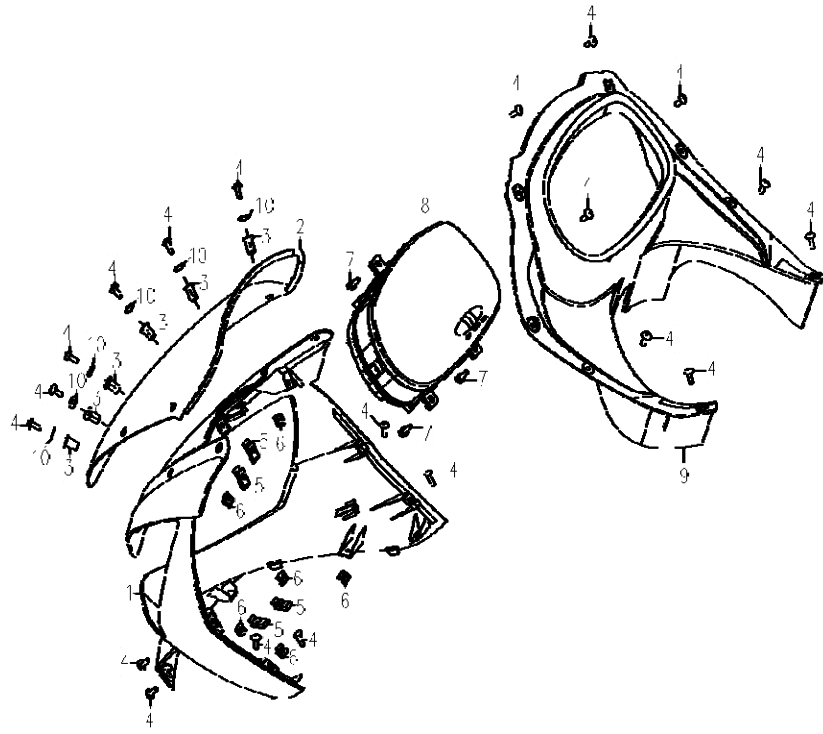


**F-1 FRONT HEADLIGHT**



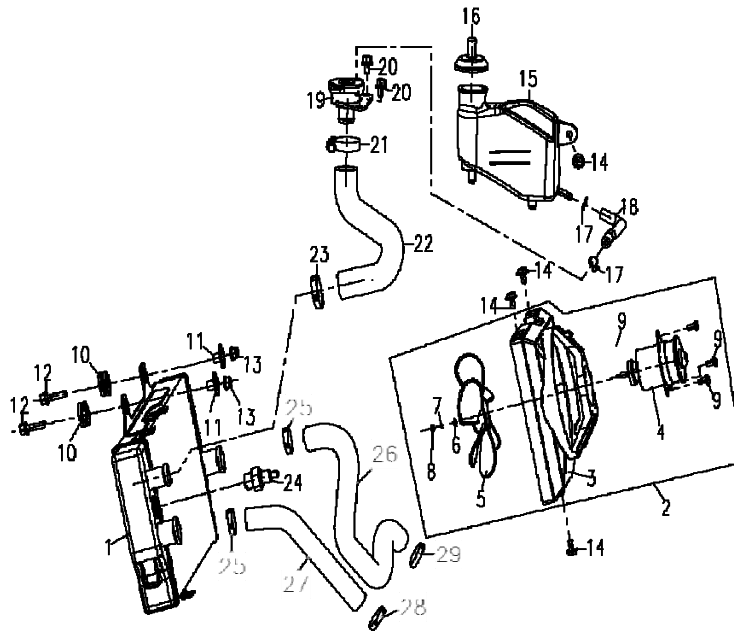
NO.	PART NO.	QTY	DESCRIPTION
F-1-1	35160-X02-0000	1	HEADLIGHT BODY ASSY.
F-1-2	35104-X02-0000	3	FILTER ELEMENT
F-1-3	35105-X02-0000	3	VENT-PIPE
F-1-4	35106-X02-0000	2	LENS SHIELD
F-1-5	GB15766.1-2000	2	BULB HS1(12V 35W/35W)
F-1-6	35117-X02-0000	2	CLIP
F-1-7	35118-X02-0000	2	CLIP BUTTON
F-1-8	GB/T845-1985	4	SCREW,TAPPING (H) ST2.9×9.5C
F-1-9	35107-X02-0000	2	SEAL
F-1-10	35140-X02-0000	2	BULB W5W(12V 5W)
F-1-11	35115-X02-0000	2	COVER, POSITIONING LIGHTS
F-1-12	35114-X02-0000	2	PLUG, SEAL
F-1-13	35150-X02-0100	1	WIRE,HEADLIGHT
F-1-14	35100-X02-0100	1	HEADLIGHT COMP.
F-1-15	GB/T9074.6-1988	5	SCREW COMB. M5×16

F-2 METER COMB./WINDSHIELD /HEADLIGHT COVER/METER COVER



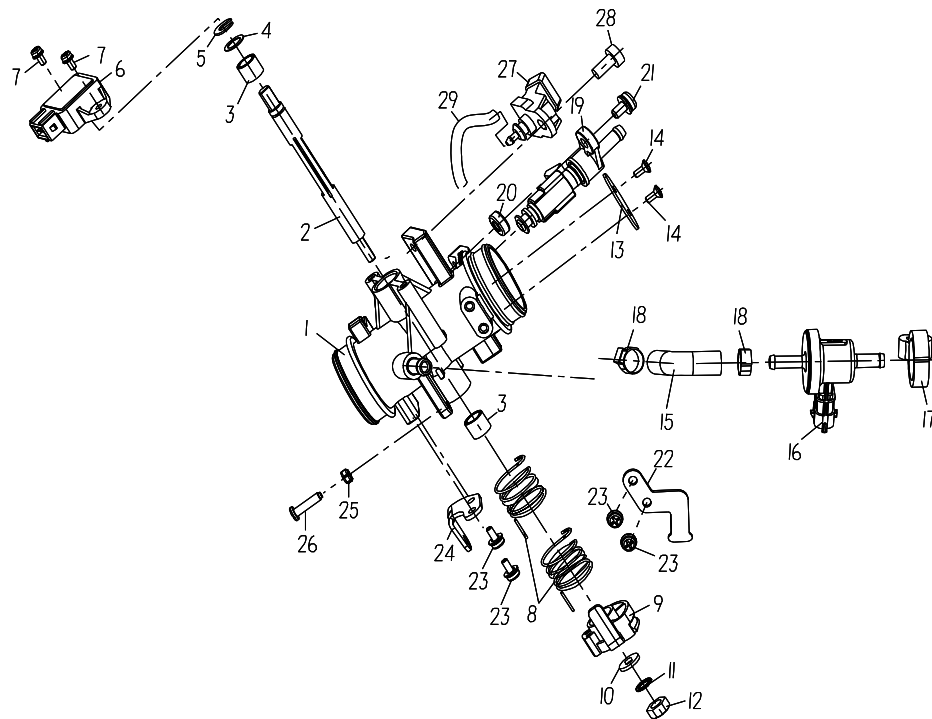
NO.	PART NO.	QTY	DESCRIPTION
F-2-1	8251B-X02-0000	1	HEADLIGHT COVER
F-2-2	82401-X02-0000	1	WINDSHIELD
F-2-3	8201B-X02-0000	6	SCREW BOLT COMB.
F-2-4	90504-X02-0000	18	SCREW COMB. M5×14
F-2-5	82002-X02-0000	4	NUT CLIP M5
F-2-6	82001-X02-0000	6	NUT CLIP M5
F-2-7	GB9074.4-88	3	SCREW COMB. M5×16
F-2-8	36100-X02-0001	1	COMBINATION METER COMP.
	36100-X02-00A0	1	COMBINATION METER COMP.(U.K.TYPE)
F-2-9	8261B-X02-0000	1	METER COVER
F-2-10	GB/T96.1-2002	6	WASHER 5

F-3 RADIATOR / RESERVIOR / FAN



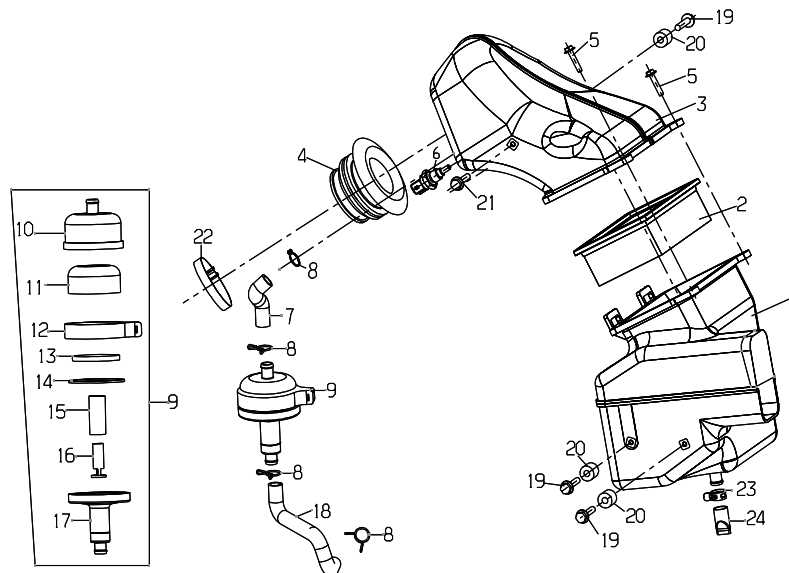
NO.	PART NO.	QTY	DESCRIPTION
F-3-1	1961A-F02-0000	1	RADIATOR WELDING COMB.
F-3-2	31300-X02-0001	1	FAN ASSY.
F-3-3	3134B-X02-0001	1	BASE, FAN
F-3-4	31310-X02-0001	1	GENERATOR, FAN
F-3-5	3135B-X02-0000	1	LEAF
F-3-6	GB/T95-2002	1	WASHER 4
F-3-7	GB/T93-1987	1	WASHER 4, SPRING
F-3-8	GB/T6170-2000	1	NUT M3
F-3-9	GB/T818-2000	3	SCREW M4×16
F-3-10	19601-F02-0000	2	SLEEVE
F-3-11	19602-F02-0000	2	COLLAR
F-3-12	GB5789-86	2	BOLT M6×25
F-3-13	GB/T6187.1-2000	2	NUT M6
F-3-14	GB9074.6-88	4	SCREW COMB. M5×12
F-3-15	19301-X02-0000	1	RESERVIOR
F-3-16	19302-X02-0001	1	COVER, RESERVIOR
F-3-17	81105-X02-0000	2	CLIP, OVERFLOW
F-3-18	19303-X02-0000	1	WATER PIPE, RESERVIOR
F-3-19	19650-F02-0000	1	PIPE CONNECTOR
F-3-20	GB/T5789-1986	2	BOLT M6X12
F-3-21	91409-F02-0000	1	CLIP H
F-3-22	19005-F02-0000	1	WATER PIPE E
F-3-23	19410-F02-0000	1	CLIPS I
F-3-24	36500-X02-0000	1	SWITCH, FAN
F-3-25	91403-F02-0000	2	CLIP B
F-3-26	19001-F02-0001	1	WATER PIPE A
F-3-27	19003-F02-0000	1	WATER PIPE C
F-3-28	91407-F02-0000	1	CLIP F
F-3-29	91408-F02-0000	1	CLIP G

F-4 AIR THROTTLE



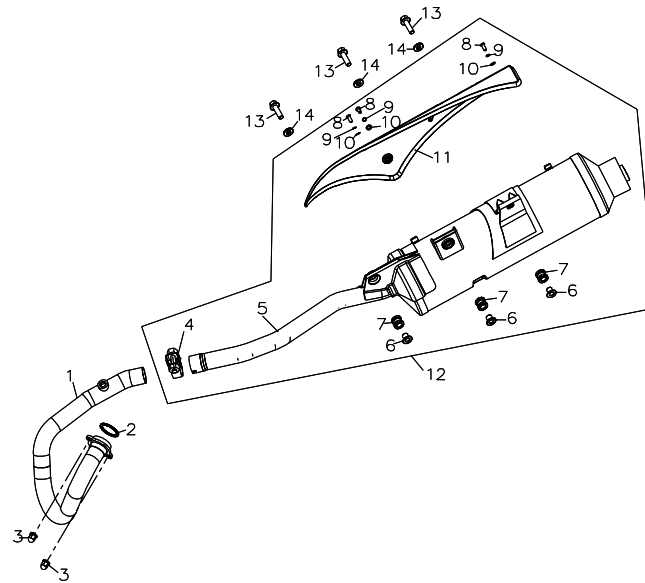
NO.	PART NO.	QTY	DESCRIPTION
F-4-1	1645A-X02-0001	1	AIR THROTTLE COMB.
F-4-2	16401-X02-0001	1	AXLE, AIR THROTTLE
F-4-3	GB/T290-1998	2	BEARING,NEEDLE HK1010
F-4-4	16414-X02-0000	1	WASHER 10
F-4-5	16409-X02-0000	1	COLLAR
F-4-6	39140-X02-0000	1	POSITION SENSOR, AIR THROTTLE
F-4-7	GB/T9074.4-1988	2	SCREW COMB. M4*16
F-4-8	16403-X02-0000	2	SPRING, WRESTING
F-4-9	1646A-X02-0000	1	HANGING COMB.
F-4-10	16411-X02-0000	1	WASHER
F-4-11	GB/T859-1987	1	DISC WASHER 10
F-4-12	GB/T6171-2000	1	NUT M8*1
F-4-13	16407-X02-0001	1	FLAKE, VALVE
F-4-14	GB/T820-2000	2	SCREW M4*10
F-4-15	16412-X02-0000	1	TUBE,CONNECTING II
F-4-16	39300-X02-0000	1	CONTROLLER, IDLING
F-4-17	16405-X02-0000	1	CIRCLIP
F-4-18	81154-X02-0000	2	RING, CLAMP
F-4-19	39400-X02-0000	1	OIL NOZZLE COMP.
F-4-20	16406-X02-0000	1	SLEEVE
F-4-21	GB/T9074.4-1988	1	SCREWS COMB .M6*16
F-4-22	16404-X02-0000	1	PLATE, FIXING
F-4-23	GB/T9074.4-1998	4	SCREWS COMB. M5*12
F-4-24	16402-X02-0000	1	BRACKET
F-4-25	GB/T6170-2000	1	NUT M5
F-4-26	16408-X02-0000	1	SCREW, POSITIONING
F-4-27	39170-X02-0000	1	SENSOR, PRESSURE
F-4-28	GB9074.4-88	1	SCREWS COMB.M6*12
F-4-29	16415-X02-0000	1	CONNECTION TUBE,SENSOR PRESSURE
F-4-30			

**F-5 AIR CLEANER**



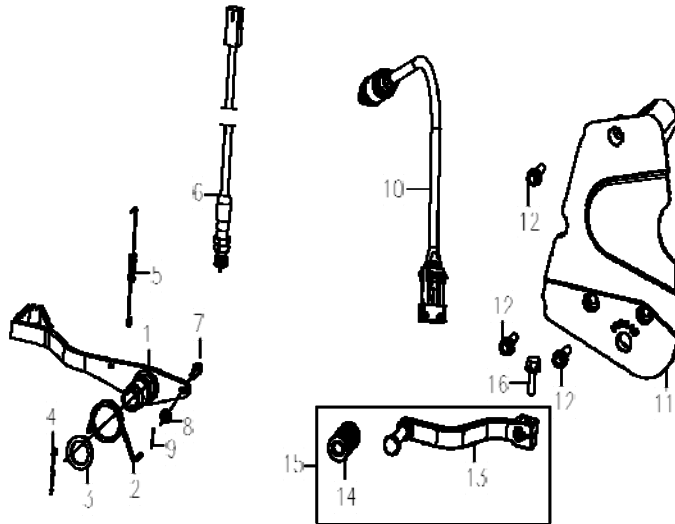
NO.	PART NO.	QTY	DESCRIPTION
F-5-1	17103-X02-0000	1	BOX, AIR INLET
F-5-2	1714A-X02-0001	1	FILTER ELEMENT COMB.
F-5-3	17101-X02-0001	1	BOX, AIR OUTLET
F-5-4	17102-X02-0000	1	PIPE , CONNECTING
F-5-5	GB9074.8-88	2	SCREW COMB.M5X25
F-5-6	39150-X02-0000	1	SENSOR, INLET AIR TEMPERATURE
F-5-7	17106-X02-0000	1	AIR PIPE II
F-5-8	91302-X02-0000	4	CLIP
F-5-9	17120-X02-0000	1	OIL/AIR SEPARATOR
F-5-10	17121-X02-0000	1	SEPARATOR COVER.
F-5-11	17127-X02-0000	1	STAINLESS STEEL WIRE,NET
F-5-12	17128-X02-0000	1	RUBBER,BLOCK
F-5-13	17125-X02-0000	1	EXTRACTIVE FILTER
F-5-14	17126-X02-0000	1	RUBBER, SEAL
F-5-15	17123-X02-0000	1	ROUGH FILTER
F-5-16	17124-X02-0000	1	SLEEVE ROUGH FILTER
F-5-17	17122-X02-0000	1	COVER, SEPARATOR
F-5-18	17105-X02-0001	1	AIR PIPE I
F-5-19	GB/T5789-1986	3	BOLT M6X25
F-5-20	00009-X02-0000	3	COLLAR, . BRACKET AIR CLEANER
F-5-21	GB/T5789-1986	1	BOLT M6X10
F-5-22	1713A-X02-0000	1	HOOP COMB.
F-5-23	91303-X02-0000	1	CLIP
F-5-24	17107-X02-0000	1	DRAINPIPE

**F-6 EXHAUST MUFFLER COMB.**



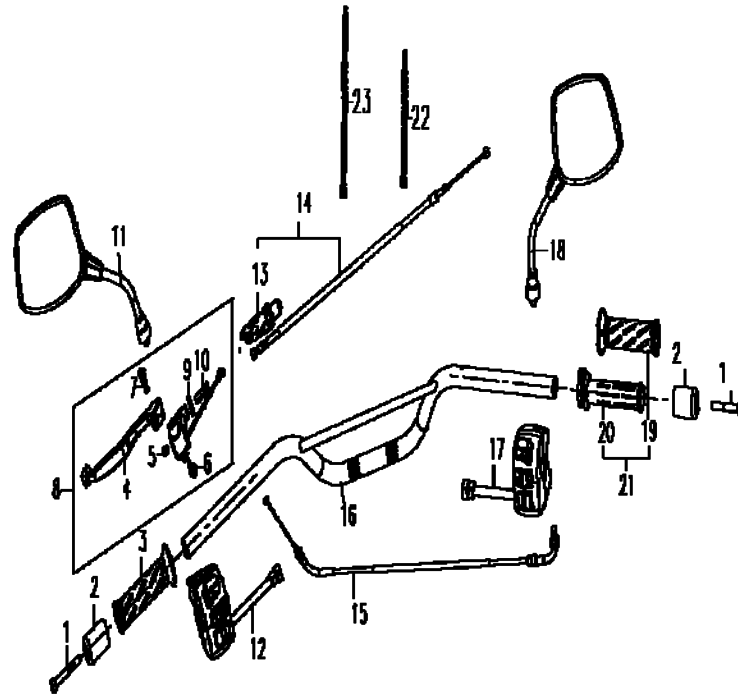
NO.	PART NO.	QTY	DESCRIPTION
F-6-1	1810A-X02-0000	1	FRONT PIPE WELDING COMB.
F-6-2	18001-X02-0000	1	GASKET, EXHAUST
F-6-3	18005-188-0000	2	NUT, CAP
F-6-4	1810A-105-0000	1	HOOP COMB.
F-6-5	1820A-X02-0000	1	MUFFLER WELDING COMB.
F-6-6	18222-X02-0000	2	SLEEVE, RUBBER
F-6-7	18221-X02-0000	2	RUBBER,DAMPER
F-6-8	GB/T818-2000	3	SCREW M6X12
F-6-9	GB/T93-1987	3	WASHER, SPRING
F-6-10	GB/T95-2002	3	WASHER 6
F-6-11	18320-X02-0000	1	PROTECTOR COMB.
F-6-12	18200-X02-0000	1	EXHAUST MUFFLER COMB.
F-6-13	GB/T5789-1986	3	BOLT M8X40

F-7 PEDAL,RR. BRAKE/PEDAL, GEARSHIFT ASSY/RR. COVER,L.



NO.	PART NO.	QTY	DESCRIPTION
F-7-1	4311A-X02-0001	1	RR. BRAKE PEDAL WELDING COMB.
F-7-2	43101-X02-0001	1	SPRING RETURN, RR. BRAKE
F-7-3	43102-X02-0000	1	CIRCLIP
F-7-4	GB/T91-2000	1	PIN 3.2X32
F-7-5	43103-X02-0000	1	SPRING, RR. BRAKE SWITCH
F-7-6	37600-X02-0001	1	SWTICH, RR. BRAKE
F-7-7	GB/T882-1986	1	PIN, AXLE B6X20
F-7-8	GB/T97.1-2002	1	WASHER 6
F-7-9	GB/T91-2000	1	PIN 2X12
F-7-10	39160-X02-0000	1	SENSOR, OXYGEN
F-7-11	11411-F02-0000	1	RR. COVER, L.
F-7-12	Q/QD922-2003	3	BOLT, FLANGE 92140 - 6025 - 10
F-7-13	23411-F02-0000	1	PEDAL,GEARSHIFT.
F-7-14	23412-F02-0000	1	RUBBER
F-7-15	2341A-F02-0000	1	PEDAL,GEARSHIFT COMB.
F-7-16	Q/QD920-2002	1	BOLT, FLANGE 95801-06022-23

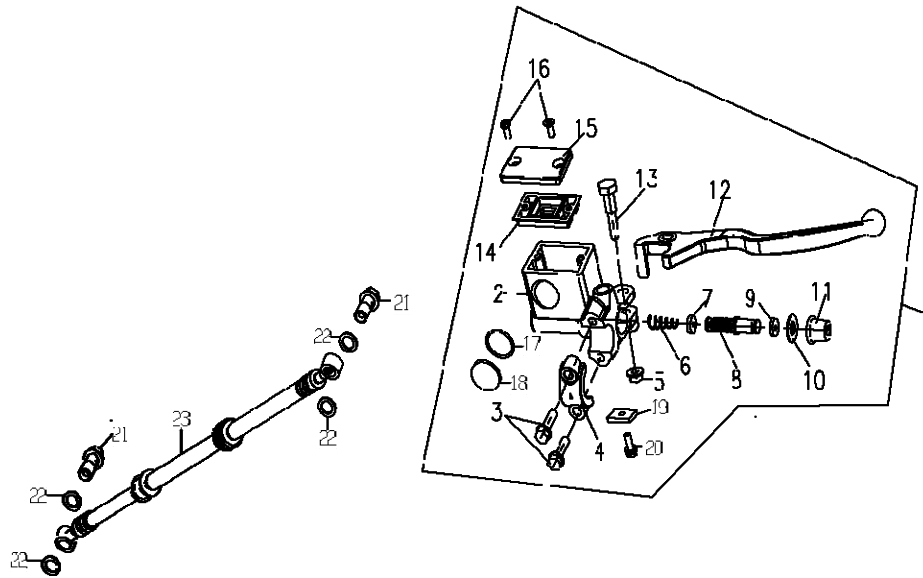
F-8 HANDLE BAR/SWITCH ASSY./RR. MIRROR



NO.	PART NO.	QTY	DESCRIPTION
F-8-1	GB/T70.1-2000	2	SCREW M8×60
F-8-2	61002-X02-0000	2	BALANCER
F-8-3	61001-X02-0000	1	L.GRIP
F-8-4	61301-X02-0000	1	GRIP , CLUTCH
F-8-5	GB/T6184-2000	1	NUT M6
F-8-6	GB/T5789-1986	3	BOLT M6×22
F-8-7	90503-X02-0000	1	SCREW, AXLE
F-8-8	61300-X02-0000	1	GRIP HOLDER COMP., CLUTCH
F-8-9	61308-X02-0000	1	NUT, ADJUSTING
F-8-10	61037-X02-0000	1	SCREW BOLT, ADJUSTING
F-8-11	89210-X02-0000	1	RR. MIRROR ASSY. (L)
F-8-12	37400-X02-0001	1	L. SWITCH ASSY.
F-8-13	61532-X02-0000	1	COVER DUST SEAL, LEVER
F-8-14	6153A-X02-0001	1	CABLE, CLUTCH
F-8-15	6103A-X02-0001	1	CABLE, THROTTLE ASSY.
F-8-16	6110A-X02-0001	1	HANDLEBAR WELDING COMB.
F-8-17	37500-X02-0001	1	R.SWITCH ASSY.
F-8-18	89220-X02-0001	1	RR. MIRROR ASSY.(R.)
F-8-19	61022-X02-0000	1	R. GRIP
F-8-20	61021-X02-0000	1	OIL GREASER
F-8-21	6102A-X02-0000	1	R. GRIP COMB.
F-8-22	00023-X02-0000	2	BAND B
F-8-23	00024-X02-0000	5	BAND C
F-8-24			

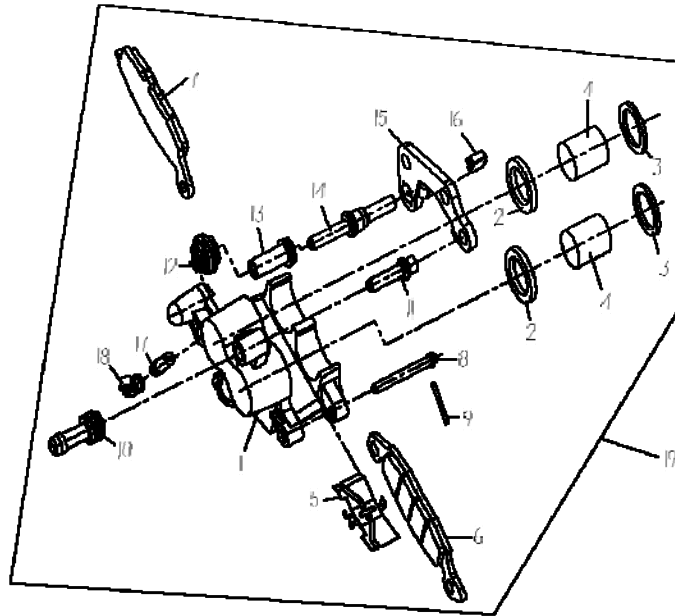


F-9 FRONT BRAKE CYLINDER COMP.



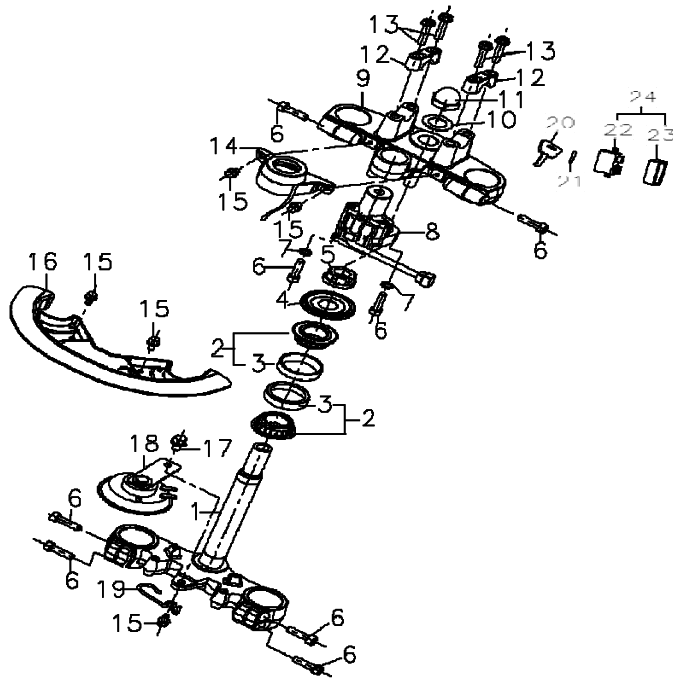
NO.	PART NO.	QTY	DESCRIPTION
F-9-1	44100-X02-3000	1	FR.BRAKE CYLINDER COMP.
F-9-2	44101-X02-3000	1	FR. BRAKE CYLINDER
F-9-3	GB/T5789-1986	2	SCREW M6X22
F-9-4	44104-X02-3000	1	CLIP
F-9-5	GB/T6177.1-2000	1	NUT M6
F-9-6	44113-X02-3000	1	SPRING
F-9-7	44112-X02-3000	1	INNER SEAL, Y SHAPE
F-9-8	44108-X02-3000	1	PISTON
F-9-9	44111-X02-3000	1	OUTTER SEAL,Y SHAPE
F-9-10	44109-X02-3000	1	CIRCLIP
F-9-11	44107-X02-3000	1	SLEEVE
F-9-12	44102-X02-3000	1	FR. BRAKE LEVER
F-9-13	44103-X02-3000	1	CONNECTING BOLT, LEVER
F-9-14	44106-X02-3000	1	GASKET
F-9-15	44105-X02-3000	1	COVER, OIL PUMP
F-9-16	GB/T819.1-2000	2	SCREW M4×12
F-9-17	44114-X02-3000	1	O-RING
F-9-18	4412A-X02-3000	1	PEEP HOLE COMB.
F-9-19	37620-X02-0000	1	FR. BRAKE SWITCH
F-9-20	GB9074.4-1988	1	SCREW COMB. M4X12
F-9-21	44001-X02-0001	2	BOLT, HOLLOW
F-9-22	44004-D11-00	4	WASHER (IRON)
F-9-23	44400-X02-0100	1	TUBE COMP., FR. BRAKE

F-10 FR. BRAKE PLIER COMP.



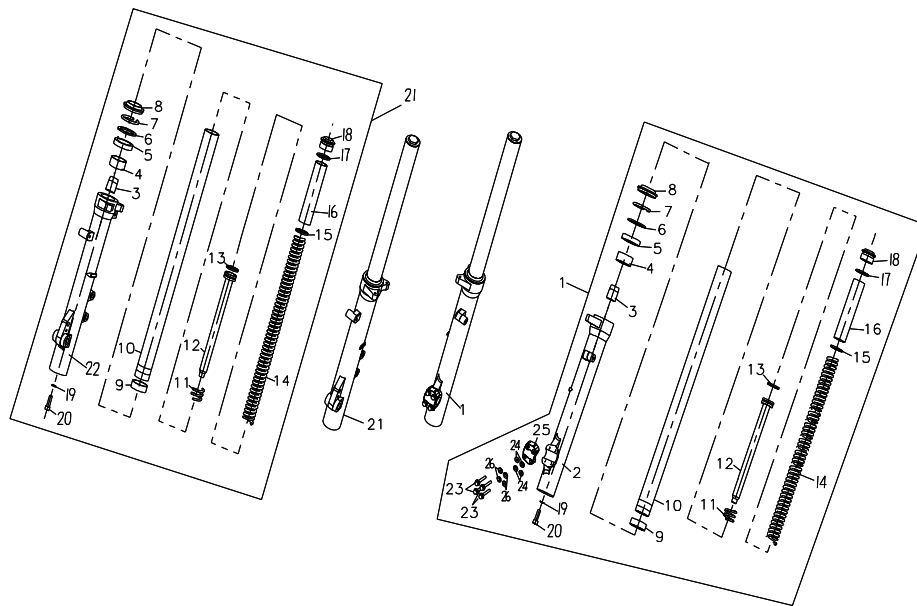
NO.	PART NO.	QTY	DESCRIPTION
F-10-1	44301-X02-3000	1	BODY,FR. BRAKE PLIERS
F-10-2	44305-X02-3000	2	INNER SEAL
F-10-3	44304-X02-3000	2	OUTTER SEAL
F-10-4	44306-X02-3000	2	PISTON, FR. BRAKE PLIER
F-10-5	44312-X02-3000	1	WASHER
F-10-6	4432A-X02-0001	1	INNER BRAKE PAD COMB.
F-10-7	4433A-X02-0001	1	OUTTER BRAKE PAD COMP.
F-10-8	44316-X02-3000	1	PIN,BRAKE DISC
F-10-9	44317-X02-3000	1	PIN
F-10-10	44307-X02-3000	1	DUSTPROOF COVER, SLIDING AXLE A
F-10-11	44308-X02-3000	1	SLIDING AXLE A
F-10-12	44314-X02-3000	1	DUSTPROOF COVER, SLIDING AXLE B
F-10-13	44315-X02-3000	1	COVER, SLIDING AXLE
F-10-14	44313-X02-3000	1	SLIDING AXLE B
F-10-15	44309-X02-3000	1	BRACKET, FR. BRAKE PLIERS
F-10-16	44311-X02-3000	1	SPRING PAD
F-10-17	44303-X02-3000	1	SCREW,AIR OUT
F-10-18	44302-X02-3000	1	DUST COVER,SCREW,AIR OUT
F-10-19	44300-X02-3000	1	FR. BRAKE PLIER COMP.

**F-11 STEERING STEM/UPPER BRIDGE/IGNITION SWITCH COMP./HORN/ ALARM  
COMB.**



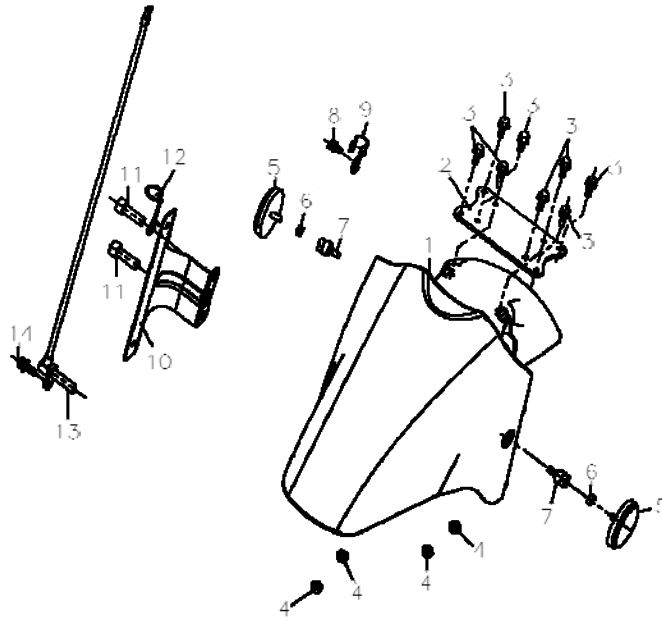
NO.	PART NO.	QTY	DESCRIPTION
F-11-1	6213A-X02-0002	1	STEERING STEM WELDING COMB.
F-11-2	92910-X02-0000	2	BEARING, TAPER ROLLER
F-11-3	92911-X02-0000	2	RING, OUTER
F-11-4	62107-X02-0000	1	DUST SEAL
F-11-5	62105-X02-0003	1	NUT, ADJUSTING
F-11-6	GB/T70.1-2000	8	SCREW M8*30
F-11-7	GB/T862.1-1987	2	WASHER 8
F-11-8	37200-X02-0000	1	IGNITION SWITCH COMP.
F-11-9	62104-X02-0002	1	UPPER BRIDGE
F-11-10	62101-X02-0000	1	WASHER
F-11-11	6212A-X02-0000	1	NUT, CAP
F-11-12	62102-X02-0001	2	CLIP
F-11-13	Q/QD920-2002	4	BOLT 95801-08038-20
F-11-14	32720-X02-0000	1	ANTENNA
F-11-15	GB/T5789-1986	5	BOLT M6*12
F-11-16	62103-X02-0000	1	DISC, PROTECTION
F-11-17	GB/T5789-1986	1	BOLT M8*12
F-11-18	34500-X02-0000	1	HORN
F-11-19	51304-X02-0000	1	CORD
F-11-20	37230-X02-0001	2	KEY
F-11-21	32730-X02-0000	1	TRANSMITER
F-11-22	32700-X02-0000	1	ALARM C
F-11-23	32712-X02-0000	1	RUBBER, HANGING
F-11-24	32710-X02-0000	1	ALARM COMP.

F-12 FR. SHOCK ABSORBER



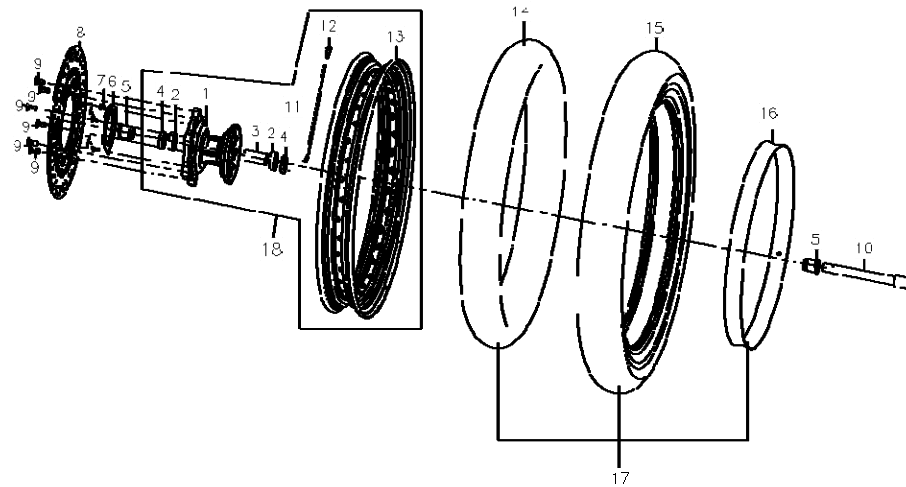
NO.	PART NO.	QTY	DESCRIPTION
F-12-1	52100-X02-0100	1	FR. SHOCK ABSORBER L.
F-12-2	52101-X02-0000	1	BOTTOM COLUMN, L.
F-12-3	52102-X02-0000	2	COLLAR, FIXTURE
F-12-4	52109-X02-0000	2	RING II
F-12-5	5212A-X02-0000	2	OIL SEAL
F-12-6	52106-X02-0000	2	WASHER
F-12-7	52107-X02-0000	2	CLIP
F-12-8	52108-X02-0000	2	DUST SEAL
F-12-9	52111-X02-0000	2	RING III
F-12-10	5213A-X02-0100	2	FORK PIPE ASSY.
F-12-11	52103-X02-0000	2	SPRING, CUSHION
F-12-12	52104-X02-0000	2	PIPE, FIXTURE
F-12-13	52105-X02-0000	2	RING I
F-12-14	52112-X02-0000	2	SPRING, SHOCK ABSORBER
F-12-15	52113-X02-0100	2	COLLAR
F-12-16	52114-X02-0000	2	WASHER
F-12-17	52115-X02-0000	2	O-RING
F-12-18	52116-X02-0000	2	SCREW, PLUG
F-12-19	52117-X02-0000	2	GASKET
F-12-20	GB/T70.1-2000	2	SCREW M8×27
F-12-21	52200-X02-0100	1	FR. SHOCK ABSORBER R.
F-12-22	52201-X02-0000	1	BOTTOM COLUMN, R.
F-12-23	GB/T5789 - 1986	4	BOLT M6X25
F-12-24	GB/T93-1987	4	WASHER 6
F-12-25	52202-X02-0000	1	CLIP
F-12-26	GB/T97.1-2002	4	WASHER 6, SPRING

**F-13 FR. FENDER/SPEED SENSOR**



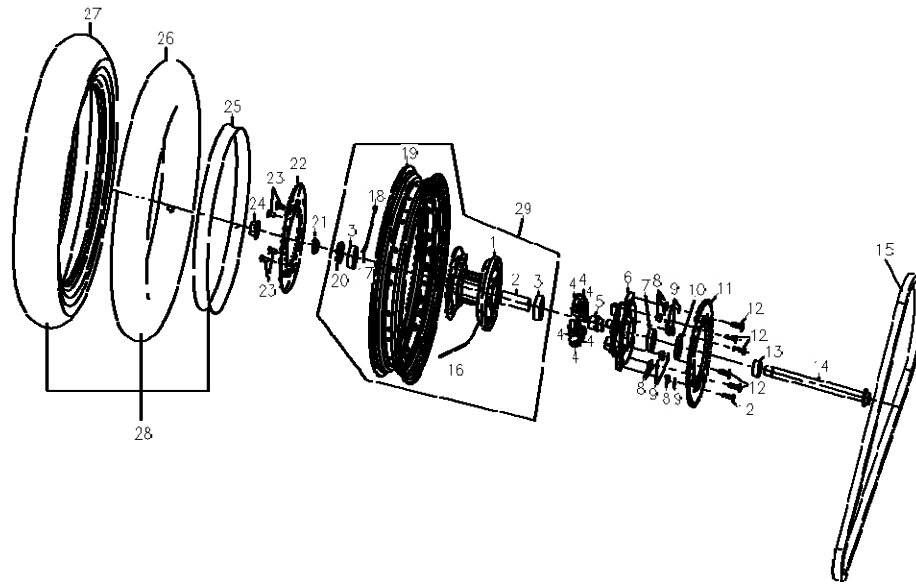
NO.	PART NO.	QTY	DESCRIPTION
F-13-1	82101-X02-0000	1	FR.FENDER
F-13-2	82102-X02-0000	1	SUPPORT, FRONT FENDER
F-13-3	GB/T5789-1986	8	BOLT
F-13-4	GB/T6187.1 - 2000	4	NUT M6
F-13-5	34810-X02-0000	2	FR.REFLECTOR COMN.
F-13-6	GB/T6170-2000	2	NUT M6
F-13-7	90114-X02-0000	2	FIXUP BOLT, FT REFLECTOR
F-13-8	GB5789-86	1	BOLT M6*12
F-13-9	51303-X02-0000	1	CORD
F-13-10	51307-X02-0000	1	BRACKET,LICENSE PLATE
F-13-11	GB/T5789-1986	2	BOLT M10*1.25*25
F-13-12	51305-X02-0000	1	CORD
F-13-13	36310-X02-0001	1	SENSOR,SPEED
F-13-14	GB/T5789-1986	1	BOLT M6*16

**F-14 FR. WHEEL**



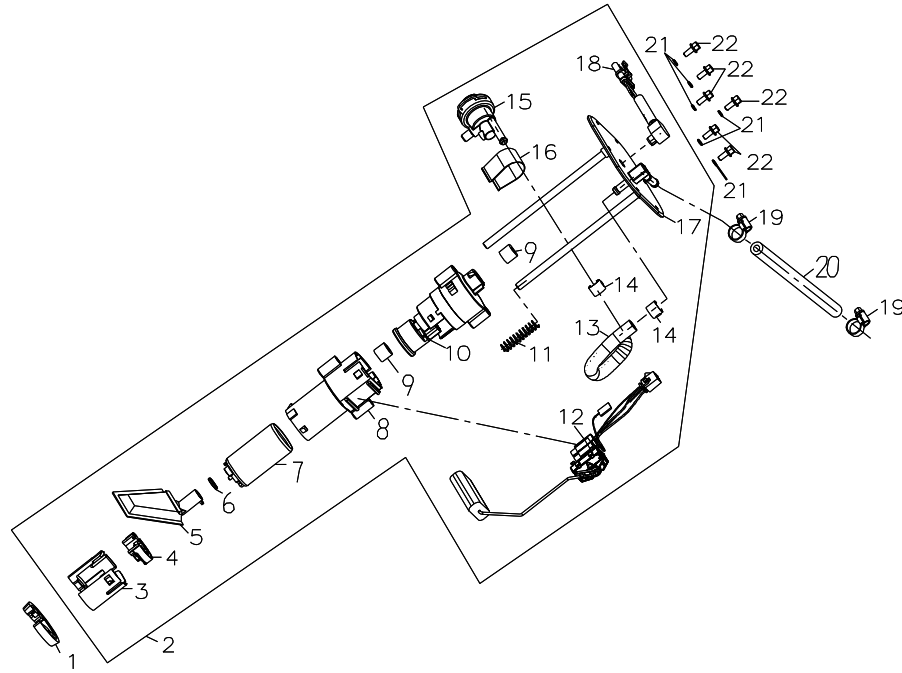
NO.	PART NO.	QTY	DESCRIPTION
F-14-1	41101-X02-0001	1	HUB,FR.WHEEL
F-14-2	GB/T276-1994	2	BEARING 6003-2RS
F-14-3	41106-X02-0000	1	SLEEVE
F-14-4	4111A-X02-0000	2	OIL SEAL 23*35*6
F-14-5	41103-X02-0000	2	SLEEVE,FR. WHEEL
F-14-6	36320-X02-0001	1	SIGNAL DISK, SPEED
F-14-7	GB/T818-2000	3	SCREW M4*12
F-14-8	41105-X02-0000	1	BRAKE DISK
F-14-9	90501-X02-0000	6	SCREW,BRAKE DISK
F-14-10	41104-X02-0000	1	AXLE, FR. WHEEL
F-14-11	41108-X02-0002	36	SPOKE
F-14-12	41107-X02-0002	36	NUT,SPOKE
F-14-13	41102-X02-0001	1	RIM,FR.WHEEL
F-14-14	41171-X02-0000	1	INNER TIRE
F-14-15	41172-X02-0000	1	OUTTER TIRE
F-14-16	41173-X02-0000	1	BAND
F-14-17	41170-X02-0000	1	TYRE ASSY.FR.WHEEL
F-14-18	41120-X02-0000	1	RIM,FR.WHEEL COMP.

**F-15 RR. WHEEL**



NO.	PART NO.	QTY	DESCRIPTION
F-15-1	41206-X02-0001	1	HUB,RR. WHEEL
F-15-2	41211-X02-0000	1	SLEEVE
F-15-3	GB/T276-94	2	BEARING 6204-2RS
F-15-4	41207-X02-0001	6	WASHER, CUSHION
F-15-5	41212-X02-0000	1	SLEEVE
F-15-6	41231-X02-0000	1	DAMPER
F-15-7	GB/T276-94	1	BEARING 6205-2RS
F-15-8	GB/T6187.1-2000	6	NUT M8
F-15-9	GB/T97.1-2002	6	WASHER 8
F-15-10	4124B-X02-0000	1	OIL SEAL
F-15-11	41232-X02-0001	1	RR.SPROCKET
F-15-12	90502-X02-0000	6	SCREW, HEX M8*27
F-15-13	41201-X02-0000	1	SLEEVE L.
F-15-14	41209-X02-0000	1	AXLE,RR. WHEEL
F-15-15	46100-X02-0001	1	DRIVING CHAIN COMP.
F-15-16	41203-X02-0002	18	L. SPOKE
F-15-17	41202-X02-0002	18	R. SPOKE
F-15-18	41107-X02-0002	36	NUT,SPOKE
F-15-19	41204-X02-0001	1	RIM,RR. WHEEL
F-15-20	4122B-X02-0000	1	GASKET
F-15-21	41208-X02-0000	1	R.SLEEVE
F-15-22	41205-X02-0000	1	RR. BRAKE DISK
F-15-23	90501-X02-0000	4	SCREW,BRAKE DISK
F-15-24	90301-X02-0000	1	NUT M18*1.5
F-15-25	41273-X02-0000	1	BAND
F-15-26	41272-X02-0000	1	INNER TIRE
F-15-27	41271-X02-0000	1	OUTTER TIRE
F-15-28	41270-X02-0000	1	TIRE ASSY.RR. WHEEL
F-15-29	41250-X02-0000	1	RIM ASSY, RR. WHEEL

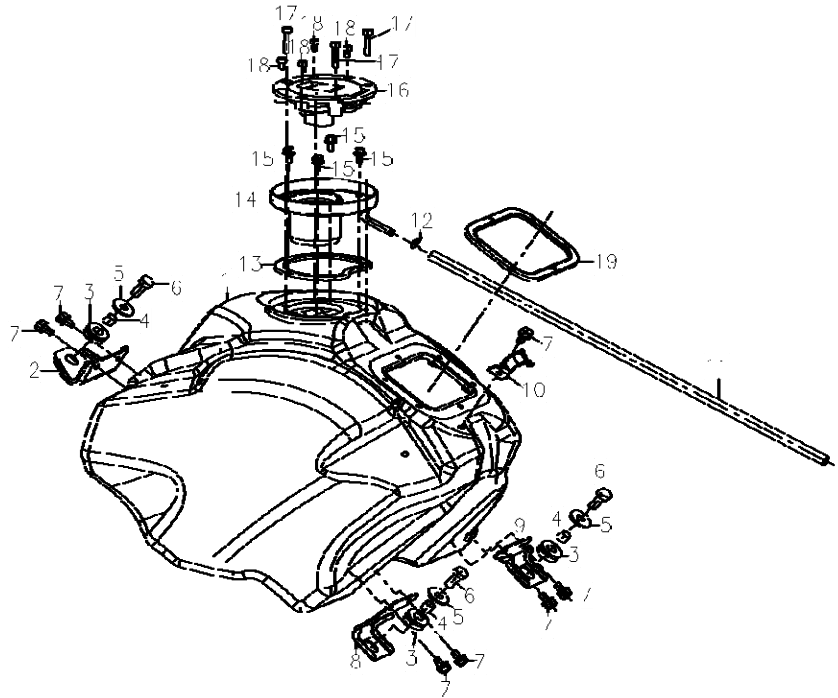
**F-16 OIL PUMP**



NO.	PART NO.	QTY	DESCRIPTION
F-16-1	81108-X02-0000	1	RUBBER
F-16-2	39500-X02-0000	1	OIL PUMP COMP.
F-16-3	39502-X02-0000	1	SUPPORT
F-16-4	39501-X02-0000	1	WASHER, CUSION
F-16-5	39510-X02-0000	1	ROUGH FILTER
F-16-6	39504-X02-0000	1	CIRCLIP
F-16-7	39590-X02-0000	1	OIL PUMP
F-16-8	39503-X02-0000	1	BRACKET, OIL PUMP
F-16-9	39531-X02-0000	2	SEAL
F-16-10	39530-X02-0000	1	EXTRACTIVE FILTER
F-16-11	39551-X02-0000	1	SPRING
F-16-12	39520-X02-0000	1	SENSOR COMB.,OIL
F-16-13	39541-X02-0000	1	PIPE RUBBER
F-16-14	39542-X02-0000	2	HOOP
F-16-15	39570-X02-0000	1	PRESSURE VALVE COMB., ADJUSTING
F-16-16	39571-X02-0000	1	RING,LOCK
F-16-17	39550-X02-0000	1	FLANG ASSY.
F-16-18	39560-X02-0000	1	OUTLET WIRE COMB.
F-16-19	81160-X02-0000	2	CLIP COMB.
F-16-20	81151-X02-0000	1	OIL PIPE
F-16-21	GB93-87	6	WASHER 5
F-16-22	GB/T5789-1986	6	BOLT M5*12

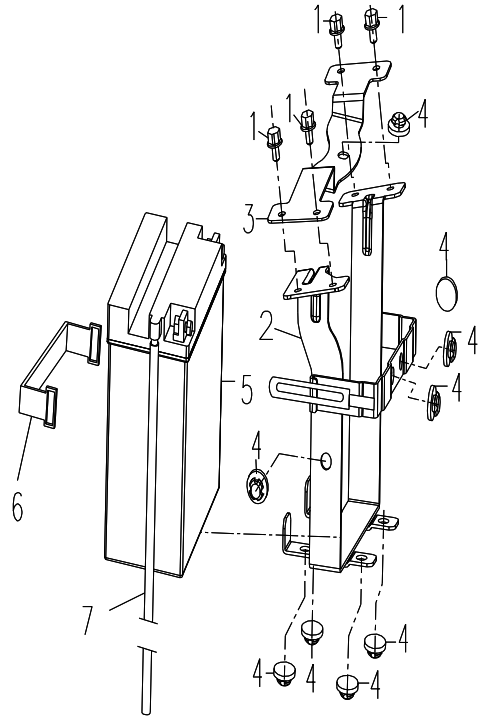


**F-17 FUEL TANK**



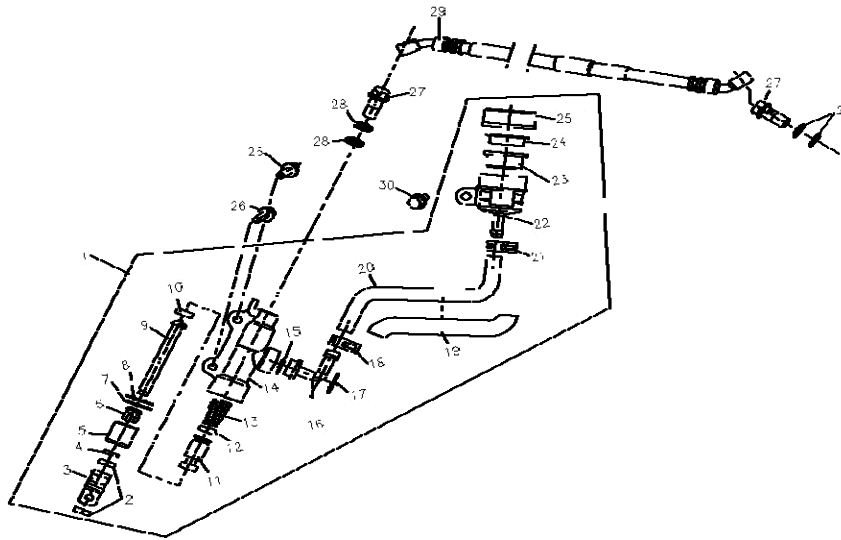
NO.	PART NO.	QTY	DESCRIPTION
F-17-1	8114A-X02-0001	1	FUEL TANK COMB.
F-17-2	81104-X02-0000	1	FRONT SUPPORT, FUEL TANL
F-17-3	81102-X02-0000	3	RUBBER
F-17-4	81103-X02-0000	3	COLLAR
F-17-5	GB/T96.1-2002	3	WASHER 8
F-17-6	GB/T5783-2000	3	BOLT M8*20
F-17-7	GB5789-86	7	BOLT M6*10
F-17-8	81153-X02-0001	1	RR. SUPPORT( L.), FUEL TANK
F-17-9	81107-X02-0001	1	RR. SUPPORT(R.), FUEL TANK
F-17-10	81109-X02-0000	1	CLIP
F-17-11	81152-X02-0000	1	TUBE, OVER FLOW
F-17-12	81105-X02-0000	1	TUBE CLIP, OVER FLOW
F-17-13	81101-X02-0000	1	SEAL, FUEL TANK COVER
F-17-14	8111A-X02-0002	1	FUEL TANK RING WELDING COMB.
F-17-15	GB/T5789 - 1986	4	BOLT M5*10
F-17-16	81120-X02-0000	1	LOCK ASSY. FUEL TANK
F-17-17	GB/T70.1-2000	3	SCREW M5*25
F-17-18	GB/T70.1-2000	4	SCREW M5*8
F-17-19	81106-X02-0001	1	SEAL, OIL PUMP

**F-18 BATTERY**



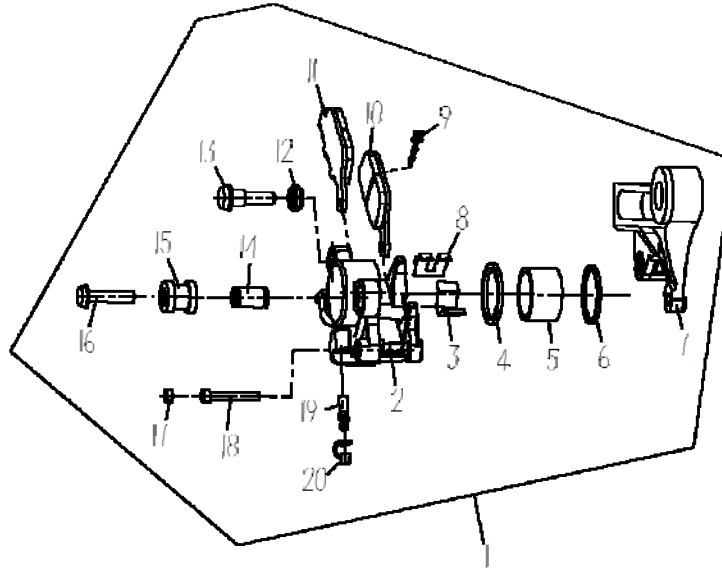
NO.	PART NO.	QTY	DESCRIPTION
F-18-1	GB5789-86	8	BOLT M6*12
F-18-2	5134A-X02-0002	1	SUPPORT WELDING ASSY.,BATTERY
F-18-3	51302-X02-0000	1	PLATE, FIXTURE
F-18-4	51301-X02-0000	15	WASHER, CUSHION
F-18-5	32200-X02-0000	1	BATTERY ASSY.
F-18-6	00030-X02-0000	1	HOOP , BATTERY
F-18-7	00027-X02-0000	1	OVER FLOW PIPE,BATTERY

F-19 RR. BRAKE CYLINDER COMP.



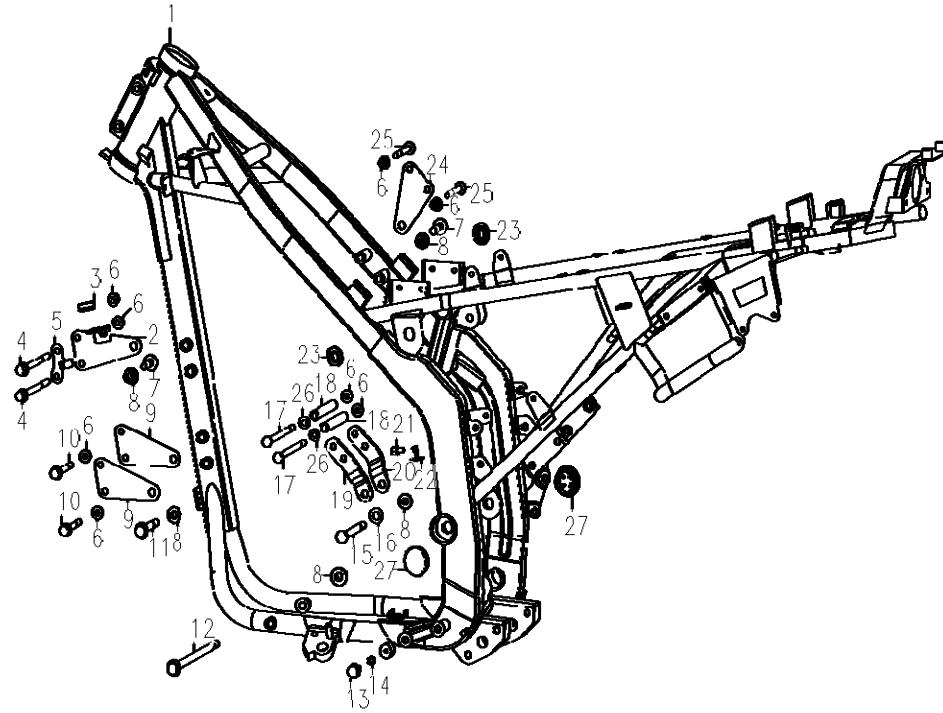
NO.	PART NO.	QTY	DESCRIPTION
F-19-1	44900-X02-3001	1	REAR BRAKE CYLINDER COMP.
F-19-2	GB/T6172.1-2000	2	NUT M8
F-19-3	44901-X02-3000	1	JOINT, CROSS
F-19-4	GB/T855-1988	1	WASHER 8
F-19-5	4492A-X02-3000	1	DUST SEAL COMB., PISTON
F-19-6	44903-X02-3000	1	NUT
F-19-7	44904-X02-3000	1	CIRCLIP, PISTON
F-19-8	44905-X02-3000	1	WASHER,PISTON
F-19-9	44902-X02-3000	1	LEVER, PISTON
F-19-10	44906-X02-3000	1	OUTTER SEAL
F-19-11	44907-X02-3000	1	PISTON
F-19-12	44909-X02-3000	1	INNER SEAL
F-19-13	44914-X02-3000	1	SPRING
F-19-14	44917-X02-3000	1	CYLINDER
F-19-15	44908-X02-3000	1	O-RING
F-19-16	44913-X02-3000	1	JOINT, FLEXIBLE
F-19-17	44911-X02-3000	1	CIRCLIP, STOPPER
F-19-18	44912-X02-3000	1	CLIP,SMALL OIL PIPE
F-19-19	44916-X02-3000	1	PROTECTOR, OIL PIPE
F-19-20	44915-X02-3000	1	OIL PIPE
F-19-21	44918-X02-3000	1	CLIP,BIG OIL PIPE
F-19-22	44919-X02-3000	1	OIL CUP
F-19-23	44921-X02-3000	1	GASKET, OIL CUP
F-19-24	44922-X02-3000	1	PLATE,OIL CUP
F-19-25	44923-X02-3000	1	CAP,OIL CUP
F-19-26	GB5789-86	2	BOLT M6*20
F-19-27	44001-X02-0001	2	BOLT, HOLLOW
F-19-28	44004-D11-00	4	SEAL,IRON
F-19-29	44800-X02-0000	1	RR BRAKE TUBE COMP.
F-19-30	GB/T5789-1986	1	BOLT M6*16

F-20 ( R ) RR.BRAKE PLIER COMP.(R)



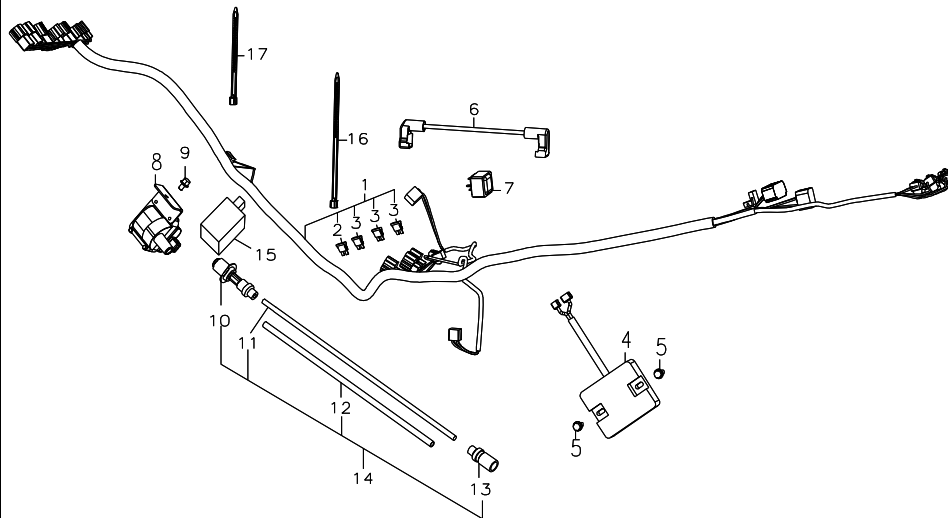
NO.	PART NO.	QTY	DESCRIPTION
F-20-1	44600-X02-0001	1	RR. BRAKE PLIER COMP.(R)
F-20-2	44605-X02-0001	1	RR. BRAKE PLIER BODY
F-20-3	44614-X02-3000	1	SPRING
F-20-4	44608-X02-3000	1	INNER SEAL
F-20-5	44609-X02-3000	1	PISTON,BRAKE PLIER
F-20-6	44607-X02-3000	1	OUTTER SEAL
F-20-7	44604-X02-0001	1	INSTALLING PLATE,RR BRAKE
F-20-8	44603-X02-3000	1	CLIP, INSTALLING PLATE
F-20-9	44606-X02-3000	1	PLIERS FLAKE
F-20-10	4462A-X02-0001	1	OUTTER BRAKE PAD COMP., RR BRAKE
F-20-11	4463A-X02-0001	1	INNER BRAKE PAD COMP., RR BRAKE
F-20-12	44615-X02-3000	1	SLEEVE,SLIDING BOLT(BIG)
F-20-13	44616-X02-3000	1	SLIDING BOLT(BIG)
F-20-14	44613-X02-3000	1	SLIDING BOLT SLEEVE (SMALL)
NO.	PART NO.	QTY	DESCRIPTION
F-20-15	44611-X02-3000	1	SLEEVE,SLIDING BOLT(SMALL)
F-20-16	44612-X02-3000	1	SLIDING BOLT(SMALL)
F-20-17	44618-X02-3000	1	BOLT, PLUG
F-20-18	44617-X02-3000	1	PIN,BRAKE DISK
F-20-19	44602-X02-3000	1	SCREW,AIR OUT
F-20-20	44601-X02-3000	1	DUST SEAL, AIR OUT

F-21 FRAME



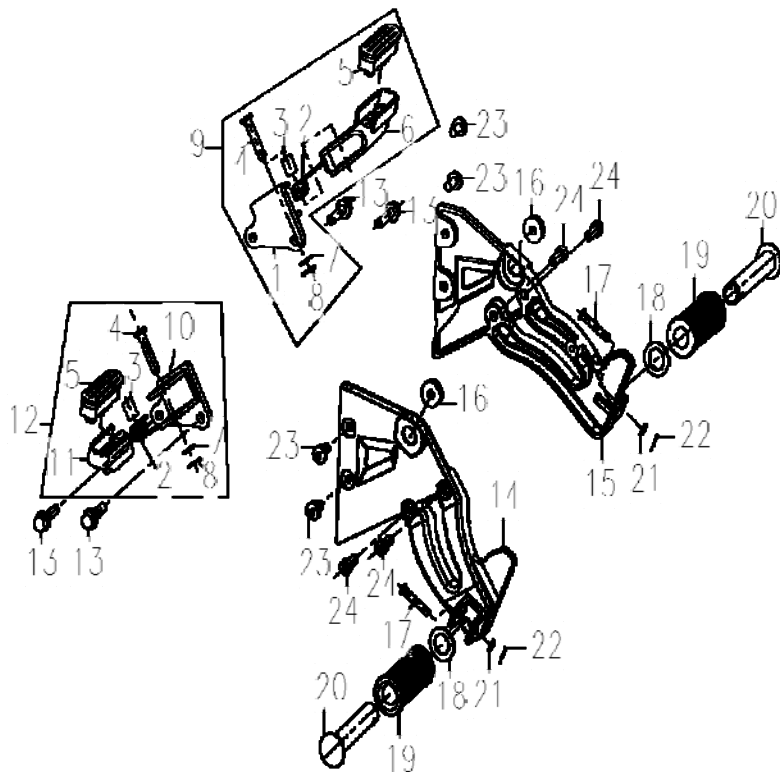
NO.	PART NO.	QTY	DESCRIPTION
F-21-1	5110A-X02-0100	1	FRAME WELDING COMP.
F-21-2	0001A-X02-0000	1	BRACKET COMB., RADIATOR
F-21-3	81102-X02-0000	1	RUBBER
F-21-4	90105-X02-0000	2	BOLT M8*87
F-21-5	00021-X02-0000	1	CLIPS,CLUTCH CABLE
F-21-6	GB/T6187.1-2000	8	NUT M8
F-21-7	GB5789-86	2	BOLT M10×40
F-21-8	GB/T6187.1-2000	5	NUT M10
F-21-9	00002-X02-0000	2	FR.LOWER SUSPENSION PLATE,ENGINE
F-21-10	90104-X02-0000	2	BOLT M8*83
F-21-11	90103-X02-0000	1	BOLT M10*85
F-21-12	90107-X02-0000	1	BOLT M10*250
F-21-13	5139A-X02-0001	1	WASHER COMB., SIDE STAND
F-21-14	GB/T6170-2000	1	NUT M8
F-21-15	90101-X02-0000	1	BOLT M10*120
F-21-16	GB/T97.1-2002	1	WASHER 10
F-21-17	90102-X02-0000	2	BOLT M8*148
F-21-18	00005-X02-0000	2	CONNECTION PIPE
F-21-19	00001-X02-0000	1	RR. L. SUSPENSION PLATE,ENGINE
F-21-20	00003-X02-0000	1	RR. R. SUSPENSION PLATE, ENGINE
F-21-21	GB5789-86	1	BOLT M6*10
F-21-22	51306-X02-0000	1	SWTICH SUPPORT, REAR BRAKE
F-21-23	51204-A25-0000	2	O-RUBBER
F-21-24	00004-X02-0000	1	UPPER SUSPENSION PLATE,ENGINE
F-21-25	90106-X02-0000	2	BOLT M8*77
F-21-26	GB/T97.1-2002	2	WASHER 8
F-21-27	00026-X02-0000	2	AXLE CAP,RR. FORK

F-22



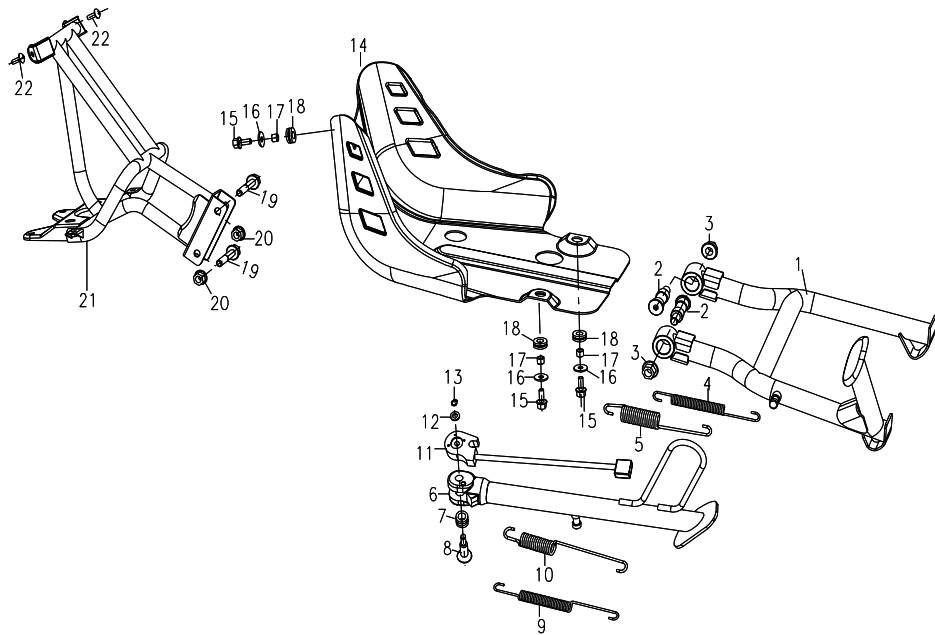
NO.	PART NO.	QTY	DESCRIPTION
F-22-1	34100-X02-0004	1	HARN WIRENESS COMP.
F-22-2	3411B-X02-0000	1	FUSE, FLAKE TYPE 20A
F-22-3	3412B-X02-0000	3	FUSE, FLAKE TYPE 15A
F-22-4	32100-X02-0000	1	REGULATOR
F-22-5	GB/T5789-1986	2	BOLT M6*20
F-22-6	37750-X02-0001	1	CONNECTION WIRE, BATTERY
F-22-7	37800-X02-0001	1	RELAY STARTER,OIL PUMP
F-22-8	33100-X02-0000	1	IGNITION COIL
F-22-9	GB/T5789-1986	1	BOLT M6*12
F-22-10	33420-X02-0001	1	CAP, SPARK PLUG
F-22-11	GB/T14820.2-1993	1	HIGH TENSION IGNITION WIRE, COPPER CORE
F-22-12	33401-X02-0000	1	RUBBER TUBE $\phi$ 7.4 $\times$ 1 $\times$ 180
F-22-13	33410-X02-0000	1	CAP, IGNITION COIL
F-22-14	33400-X02-0001	1	HIGH TENSION CONNECTING WIRE COMP.
F-22-15	32710-X02-0000	1	ALARM CONTROLLER
F-22-16	00024-X02-0000	1	BAND C
F-22-17	00023-X02-0000	1	BAND B

F-23 MAIN/SUB FOOTREST COMP.



NO.	PART NO.	QTY	DESCRIPTION
F-23-1	5413A-X02-0000	1	R.FOOTREST WELDING COMB.
F-23-2	54113-X02-0001	2	SPRING
F-23-3	54114-X02-0000	2	SLEEVE
F-23-4	54112-X02-0000	2	PIN
F-23-5	54111-X02-0000	2	RUBBER WASHER
F-23-6	5412A-X02-0000	1	R.FOOTREST WELDING ASSY.
F-23-7	GB/T95-2002	2	WASHER 8
F-23-8	GB/T91-2000	2	PIN 2*16
F-23-9	54110-X02-0000	1	R.FOOTREST COMP.
F-23-10	5416A-X2-0000	1	STAND WELDING COMP.,L.FOOTREST
F-23-11	5415A-X02-0000	1	L.FOOTREST WELDING ASSY.
F-23-12	54140-X02-0000	1	L. FOOTREST COMB.
F-23-13	GB5789-86	4	BOLT M8*35
F-23-14	54413-X02-0001	1	STAND, L. SUB FOOTREST
F-23-15	54431-X02-0002	1	STAND, R.SUB FOOTREST
F-23-16	51204-A25-00	2	RUBBER WASHER , O SHAPE
F-23-17	54414-X02-0000	2	PIN
F-23-18	54412-X02-0000	2	WASHER
F-23-19	54411-X02-0000	2	RUBBER
F-23-20	5442A-X02-0003	1	BRACKET WELDING COMB., SUB FOOTREST
F-23-21	GB/T848-2002	2	WASHER 6
F-23-22	GB/T91-2000	2	PIN 2*16
F-23-23	90505-X02-0000	4	BOLT M8*16
F-23-24	GB/T70.1-2000	4	BOLT M8*20

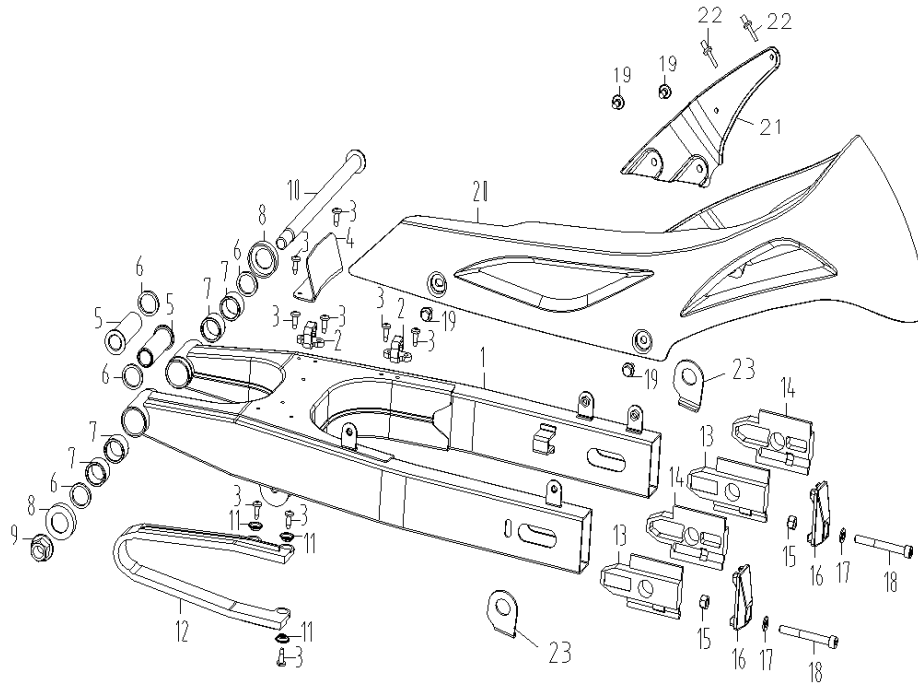
**F-24 MAIN STAND/SIDE STAND/ENGINE SHIELD/HEADLIGHT SUPPORT**



NO.	PART NO.	QTY	DESCRIPTION
F-24-1	5421A-X02-0101	1	MAIN STAND WELDING COMB.
F-24-2	54202-X02-0000	2	PIN
F-24-3	GB/T6187.1-2000	2	NUT M10
F-24-4	54201-X02-0000	1	INNER SPRING, MAIN STAND
F-24-5	54203-X02-0000	1	OUTTER SPRING,MAIN STAND
F-24-6	5451A-X02-0101	1	SIDE STAND WELDING COMB.
F-24-7	54501-X02-0000	1	COLLAR
F-24-8	54502-X02-0000	1	PIN
F-24-9	54503-X02-0001	1	INNER SPRING, SIDE STAND
F-24-10	54504-X02-0001	1	OUTTER SPRING,SIDE STAND
F-24-11	36600-X02-0000	1	SWITCH, SIDE STAND
F-24-12	GB/T96.1-2002	1	WASHER 6
F-24-13	GB894.1-86	1	CIRCLIP
F-24-14	00008-X02-0002	1	ENGINE SHIELD
F-24-15	GB/T5783-2000	3	BOLT M6*16
F-24-16	GB/T96.1-2002	3	WASHER 6
F-24-17	00007-X02-0000	3	COLLAR
F-24-18	00006-X02-0000	3	SLEEVE, RUBBER
F-24-19	GB5789-86	2	BOLT M8*45
F-24-20	GB/T6187.1-2000	2	NUT M8
F-24-21	5136A-X02-0001	1	SUPPORT WELDING COMB., HEADLIGHT
F-24-22	90504-X02-0000	2	SCREW M5*14

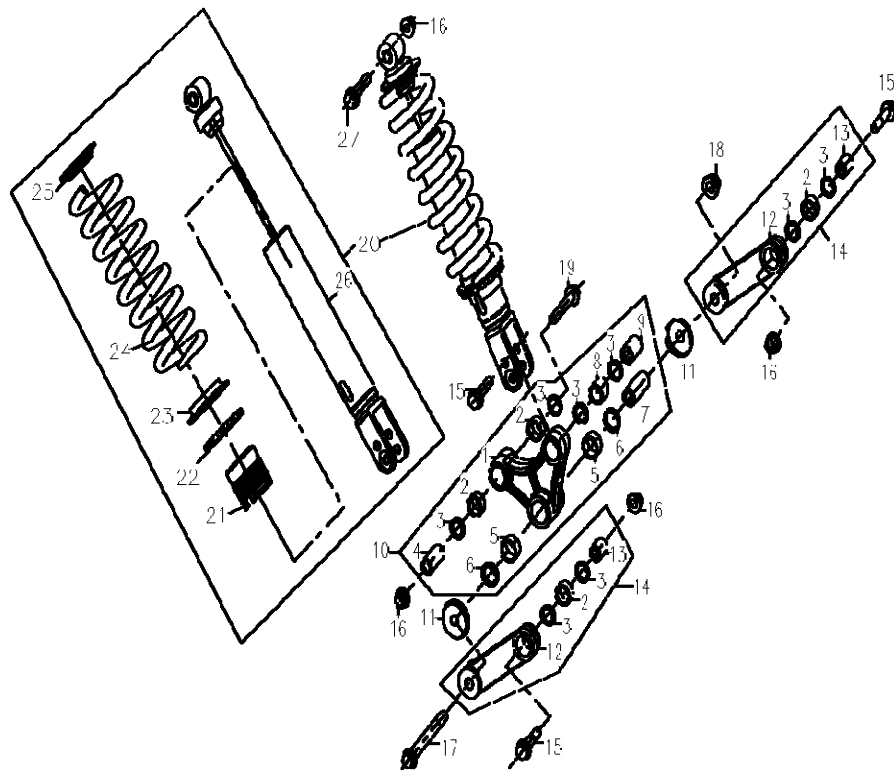


F-25 RR. FORK/CHAIN CASE COMP.



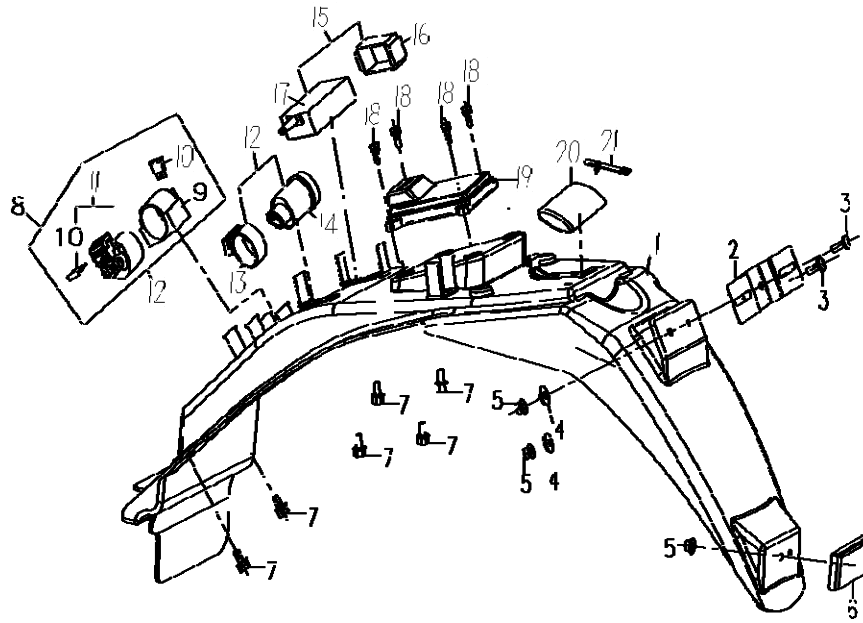
NO.	PART NO.	QTY	DESCRIPTION
F-25-1	5321A-X02-0001	1	WELDING COMP., RR.FORK
F-25-2	53205-X02-0000	2	CLIP
F-25-3	GB845-85	9	SCREW, TAPPING ST5.5*16
F-25-4	53206-X02-0000	1	FENDER
F-25-5	53203-X02-0000	2	SLEEVE
F-25-6	53202-X02-0001	4	GASKET
F-25-7	92950-X02-0000	4	BEARING,NEEDLE HK2220
F-25-8	53204-X02-0000	2	END COVER
F-25-9	GB/T6187.2-2000	1	NUT M14×1.5
F-25-10	53004-X02-0000	1	AXLE, RR. FORK
F-25-11	53202-201-0000	3	WASHER
F-25-12	53201-X02-0000	1	PROTECTOR, CHAIN
F-25-13	53001-X02-0000	2	ADJUSTOR (L), CHAIN
F-25-14	53002-X02-0000	2	ADJUSTOR (R), CHAIN
F-25-15	GB/T6185.1-2000	2	NUT M8
F-25-16	53003-X02-0001	2	COVER
F-25-17	GB/T97.1-2002	2	WASHER 8
F-25-18	GB/T70.1-2000	2	BOLT M8*70
F-25-19	90101-235-0000	4	BOLT, FLANGE
F-25-20	53101-X02-0001	1	CHAIN CASE
F-25-21	51302-X02-0000	1	REINFORCED PLATE, CHAIN CASE
F-25-22	GB12615-90	2	RIVET, HOLLOW
F-25-23	53005-X02-0000	2	GASKET

F-26 RR. SHOCK ABSORBER/ ROCKER ARM



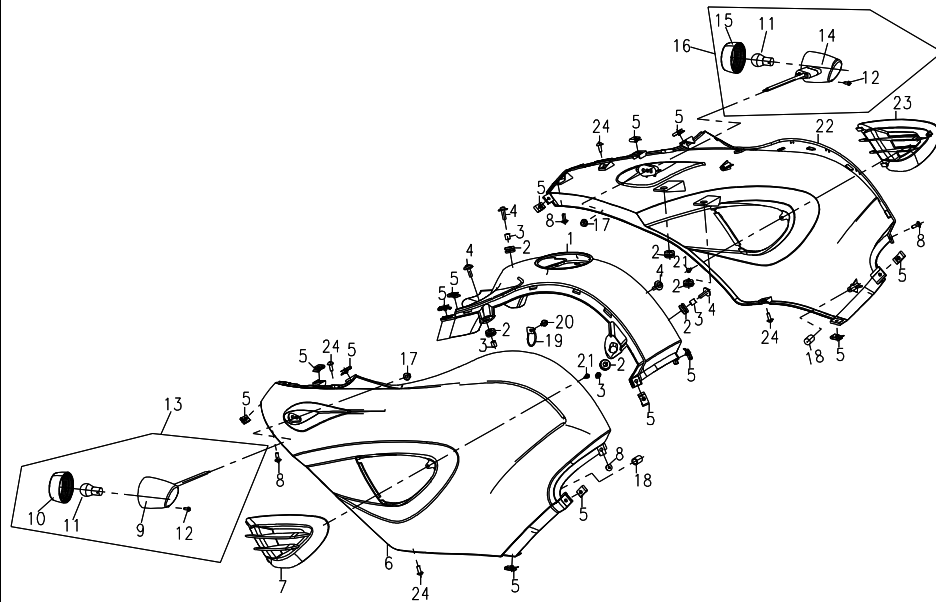
NO.	PART NO.	QTY	DESCRIPTION
F-26-1	55521-X02-0001	1	ROCKER ARM
F-26-2	92920-X02-0000	4	BEARING,NEEDLE M14×1.5
F-26-3	9121B-X02-0000	8	SEAL
F-26-4	55524-X02-0000	1	SLEEVE
F-26-5	92940-X02-0000	2	BEARING, NEEDLE 20BM2614
F-26-6	9122B-X02-0000	2	SEAL
F-26-7	55523-X02-0000	1	SLEEVE
F-26-8	92930-X02-0000	1	BEARING, NEEDLE 17BM2320
F-26-9	55522-X02-0000	1	SLEEVE
F-26-10	55520-X02-0000	1	ROCKER ARM ASSY.
F-26-11	55501-X02-0000	2	COVER,DUST
F-26-12	55111-X02-0000	2	CONNECTING ROD
F-26-13	55512-X02-0000	2	SLEEVE
F-26-14	55510-X02-0000	2	CONNECTING ROD COMP.
F-26-15	90111-X02-0000	3	BOLT M10*46
F-26-16	GB/T6187.1-2000	4	NUT M10
F-26-17	90109-X02-0000	1	BOLT M12*108
F-26-18	90302-X02-0000	1	NUT M12×1.25
F-26-19	90108-X02-0000	1	BOLT M10*63
F-26-20	55100-X02-0000	1	RR. SHOCK ABSORBER COMP.
F-26-21	5512A-X02-0000	1	DAMPER COMP.
F-26-22	55101-X02-0000	1	SCREW BOLT, ADJUSTING
F-26-23	55102-X02-0000	1	BOARD, LOCK
F-26-24	55103-X02-0000	1	BOARD, ADJUSTING
F-26-25	55104-X02-0000	1	SPRING,CUSHION
F-26-26	55105-X02-0000	1	CIRCLIP
F-26-27	90112-X02-0000	1	BOLT M10*53

F-27 RR. FENDER



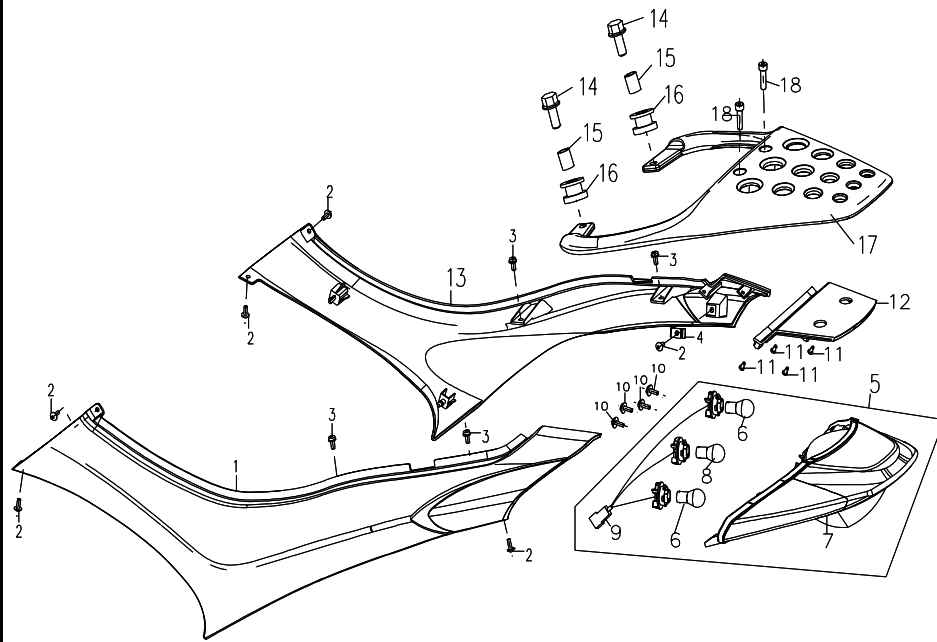
NO.	PART NO.	QTY	DESCRIPTION
F-27-1	8221A-X02-0001	1	RR. FENDER COMB.
F-27-2	82201-X02-0000	1	BRACKET, LISENCE PLATE
F-27-3	GB/T818-2000	2	SCREW M6*16
F-27-4	GB/T96.1-2002	2	WASHER 6
F-27-5	GB/T6187.1-2000	3	NUT M6
F-27-6	34820-X02-0000	1	RR. REFLECTOR COMB.
F-27-7	GB5789-86	6	BOLT M6*12
F-27-8	37700-X02-0000	1	RELAY STARTER
F-27-9	37701-103-0000	1	RUBBER
F-27-10	3774B-X02-0000	2	FUSE, FLAKE TYPE
F-27-11	37710-X02-0000	1	RELAY STARTER
F-27-12	34600-X02-0000	1	FLASHER COMP.
F-27-13	37301-A25-20	1	RUBBER
F-27-14	34610-X02-0000	1	FLASHER
F-27-15	34700-X02-0001	1	CONTROLLER, HEADLIGHT
F-27-16	34701-X02-0000	1	RUBBER
F-27-17	34710-X02-0000	1	CONTROLLER BODY
F-27-18	GB9074.4-1988	4	SCREWS M5*16
F-27-19	33200-X02-0000	1	ECU
F-27-20	89100-X02-0000	1	TOOL KITS
F-27-21	51350-X02-0000	1	BAND COMP., TOOL KITS

**F-28 FRONT WINKER/FUEL TAN FUEL TANK COVER**



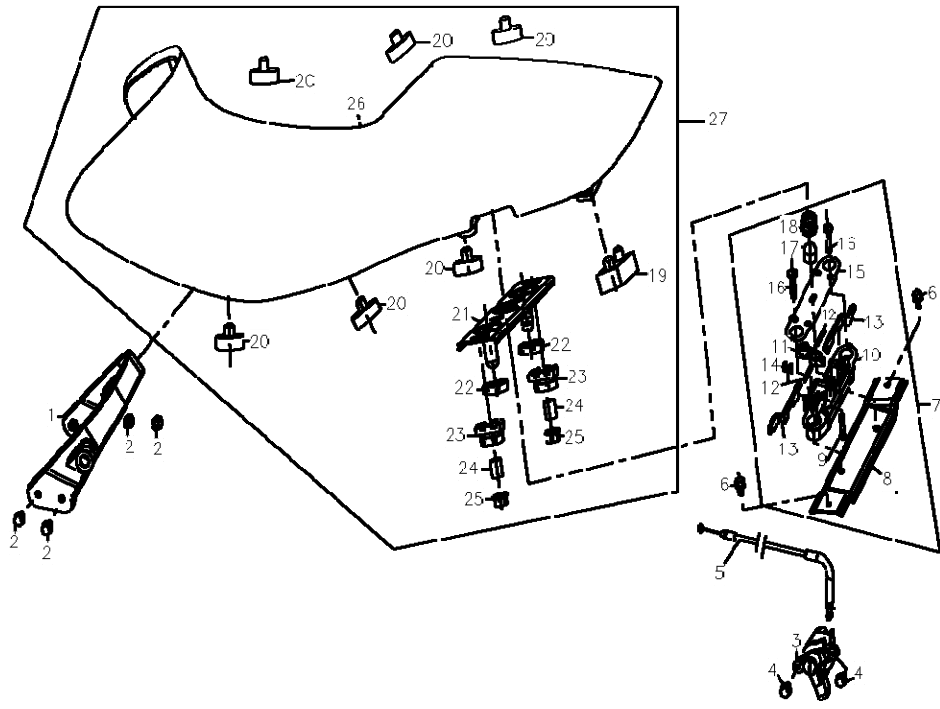
NO.	PART NO.	QTY	DESCRIPTION
F-28-1	82701-X02-0000	1	MIDDLE COVER, FUEL TANK
F-28-2	82703-X02-0000	6	RUBBER
F-28-3	82704-X02-0000	4	SLEEVE CUSTION, MIDDLE COVER
F-28-4	GB9074.6-88	4	SCREW COMB. M6*20
F-28-5	82002-X02-0000	14	NUT CLIPS M5
F-28-6	8271B-X02-0000	1	L.COVER., FUEL TANK
F-28-7	82705-X02-0000	1	L. DECORATION COVER, FUEL TANK
F-28-8	90504-X02-0000	4	SCREW M5*14
F-28-9	35330-X02-0000	1	HEADLIGHT COVER (L)COMB.
F-28-10	35301-X02-0000	1	GLASS
F-28-11	GB15766.1-2000	2	BULB P21W (12V 21W)
F-28-12	GB/T845-1985	2	SCREW, SELF-TAPPING st4.2*16-F
F-28-13	35300-X02-0000	1	FR. WINKER COMP., L.
F-28-14	35430-X02-0000	1	HEADLIGHT COVER(R)
F-28-15	35401-X02-0000	1	GLASS
F-28-16	35400-X02-0000	1	FR. WINKER COMP., R.
F-28-17	GB/T6187.1-2000	2	NUT M6
F-28-18	82702-X02-0000	2	COLLAR
F-28-19	8273A-X02-0000	1	HOOK WELDING COMB., HARN WIRENESS
F-28-20	GB5789-86	1	BOLT M5*10
F-28-21	GB845-85	2	SCREW, SELF TAPPING ST4.2*9.5-F
F-28-22	8272B-X02-0000	1	R.COVER,FUEL TANK
F-28-23	82706-X02-0000	1	R. DECORATION COVER, FUEL TANK
F-28-24	GB9074.4-88	4	SCREW COMB. M5X16

**F-29 SIDE COVER/HAND REST/ TAIL LIC**



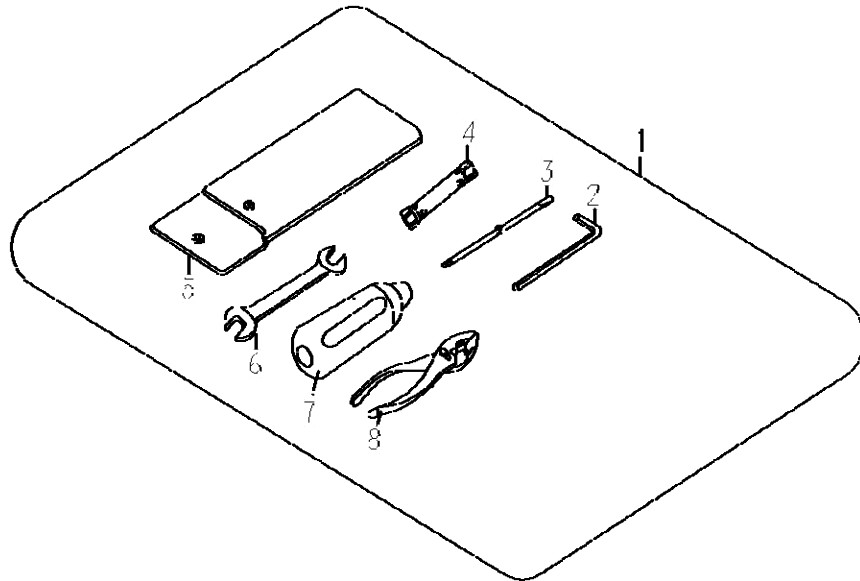
NO.	PART NO.	QTY	DESCRIPTION
F-29-1	82311-X02-0000	1	L.SIDE COVER
F-29-2	90504-X02-0000	6	SCREW M5*14
F-29-3	GB9074.1-88	4	SCREW COMB.M6*14
F-29-4	82002-X02-0000	2	NUT CLIP M5
F-29-5	35200-X02-0001	1	TAIL LIGHT COMP.
F-29-6	GB/T15766.1-2000	2	BULB P21W(12V 21W)
F-29-7	35240-X02-0000	1	LIGHT COVER COMB.
F-29-8	GB/T15766.1-2000	1	BULB P21/5W (12V 5W)
F-29-9	53230-X02-0000	1	GUIDE WIRE, TAIL LIGHT
F-29-10	GB9074.6-88	4	SCREW COMB. M5*12
F-29-11	GB845-85	4	SCREW, SELF TAPPING ST4.2*9.5-F
F-29-12	82301-X02-0000	1	CONNECTION BOARD,SIDE COVER
F-29-13	82321-X02-0000	1	R.SIDE COVER
F-29-14	GB5789-86	2	BOLT M8*20
F-29-15	72203-X02-0000	2	COLLAR
F-29-16	72202-X02-0000	2	RUBBER
F-29-17	72201-X02-0000	1	HAND REST
F-29-18	GB/T70.1-2000	2	SCREW M8*30

F-30 SEAT



NO.	PART NO.	QTY	DESCRIPTION
F-30-1	5138A-X02-0000	1	SUPPORT WELDING COMB., SEAT
F-30-2	GB/T5789-1986	4	BOLT M6*12
F-30-3	89300-X02-0000	1	LOCK ASSY.,HELMET
F-30-4	GB/T5789-1986	2	BOLT M6*12
F-30-5	5133A-X02-0000	1	CABLE ASSY,SEAT LOCK
F-30-6	GB/T5789-1986	2	BOLT M6*10
F-30-7	51310-X02-0000	1	LOCK ASSY.,SEAT
F-30-8	5132B-X02-0000	1	BOTTOM PLATE, FIXTURE
F-30-9	GB/T819.1-2000	1	SCREW M5*30
F-30-10	51312-X02-0000	1	LOCK BASE
F-30-11	51314-X02-0000	1	TURNING ARM,SEAT LOCK
F-30-12	51318-X02-0000	2	SPRING, RETURN
F-30-13	51317-X02-0000	2	CORE, LOCK
F-30-14	51311-X02-0000	1	BLOCK, FIXTURE
F-30-15	51315-X02-0000	1	PRESSING PLATE
F-30-16	GB/T818-2000	2	SCREW M5*30
F-30-17	51313-X02-0000	1	FIXTURE POLE,SEAT LOCK
F-30-18	51316-X02-0000	1	SPRING, FIXTURE
F-30-19	71105-X02-0000	1	WASHER A, CUSHION
F-30-20	71106-X02-0000	6	WASHER B, CUSHION
F-30-21	7112A-X02-0000	1	HOOK WELDING COMB., SEAT
F-30-22	7111B-X02-0000	2	WASHER COMP., CUSHION
F-30-23	71102-X02-0000	2	RUBBER
F-30-24	71101-X02-0000	2	COLLAR
F-30-25	GB/T6187.1-2000	2	NUT M6
F-30-26	7110A-X02-0000	1	SEAT ASSY., DOUBLE
F-30-27	71100-X02-0000	1	SEAT COMP., DOUBLE

F-31 TOOL KIT



NO.	PART NO.	QTY	DESCRIPTION
F-31-1	89100-X02-0000	1	TOOL KIT COMP.
F-31-2	GB/T5356-1998	1	SPANNER 6*90
F-31-3	JH70.11904	1	SCREWDRIVER
F-31-4	89101-X02-0000	1	SOCKET 19*16
F-31-5	8912A-103-0000	1	BAG, TOOLS
F-31-6	GB/T4388-1995	1	SPANNER 10*13
F-31-7	JH70.11908	1	GRIP, SCREWDRIVER
F-31-8	QB/T2349-1997	1	PLIERS 135