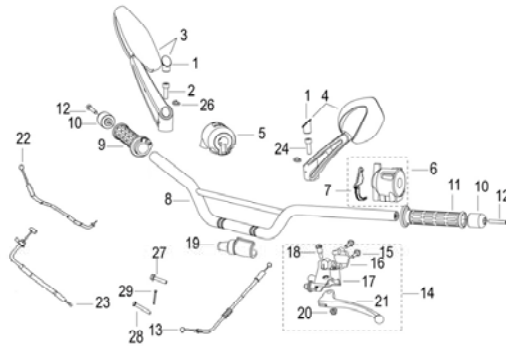


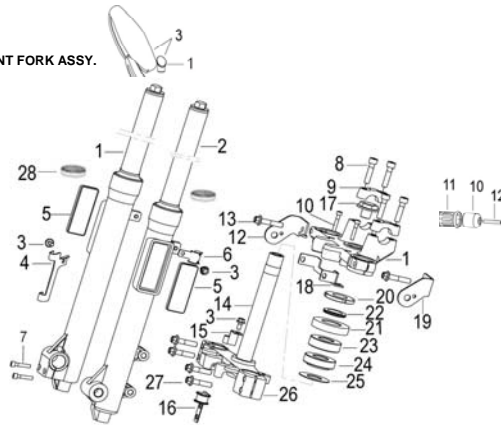
TX125GS-TX150GS

F01



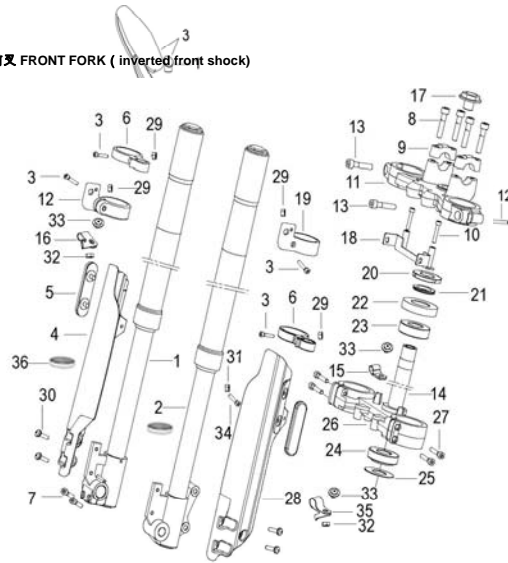
Model	NO.	Position No.	CODE	EN DESCRIPTION	Qty/U
TX125-TX150	1	F01-1	40011D010000	RUBBER CAP, BACK VIEW MIRROR	2
TX125-TX150	2	F01-2	B02050802565	SCREW M8×25	1
TX125-TX150	3	F01-3	40480B430000	BACK VIEW MIRROR R.	1
TX125-TX150	4	F01-4	40450B430000	BACK VIEW MIRROR L.	1
TX125-TX150	5	F01-5	40600J410000	RIGHT HANDLE SWITCH	1
TX125-TX150	6	F01-6	40500J410000	LEFT HANDLE SWITCH	1
TX125-TX150	7	F01-7	40583J410000	SWITCH DAMPER	1
TX125-TX150	8	F01-8	40100J410000	HANDLEBAR PIPE	1
TX125	8	F01-8	40100J410001	HANDLEBAR PIPE	1
TX125-TX150	9	F01-9	40210J410000	THROTTLE GRIP	1
TX125-TX150	10	F01-10	40030J040021	BALANCE BLOCK	2
TX125-TX150	11	F01-11	40001J410000	LEFT GRIP	1
TX125-TX150	12	F01-12	B02020604525	BOLT M6×45	2
TX125-TX150	13	F01-13	40400J780000	CLUTCH CABLE	1
TX125-TX150	14	F01-14	40080J410000	HANDGRIP ASSY,L	1
TX125-TX150	15	F01-15	B01070602065	BOLT M6×20	2
TX125-TX150	16	F01-16	45023K010000	FIXING PLATE, REAR MIEW MIRROR L.	1
TX125-TX150	17	F01-17	40081J410000	HOLDER, REAR MIEW MIRROR L.	1
TX125-TX150	18	F01-18	40083K001000	PIVOT, CLUTCH LEVER	2
TX125-TX150	19	F01-19	40017J130000	RUBBER GUARD, CLUTCH CABLE	1
TX125-TX150	20	F01-20	B04170600065	NUT M6	1
TX125-TX150	21	F01-21	40084J800000	CLUTCH LEVER	1
TX125-TX150	22	F01-22	40350J780000	CHOKE CABLE	1
TX125-TX150	23	F01-23	40300J780000	THROTTLE CABLE SUBASSEMBLY	1
TX125-TX150	24	F01-24	08001B380000	HEXAGON SOCKET HEAD BOLT	1
TX125-TX150	25	F01-25	40023J020000	HANDLERBAR, CABLE HOLDER	2
TX125-TX150	26	F01-26	B07000000805	SPRING WASHER 8	2
TX125-TX150	27	F01-27	B01030602065	BOLT M6×20	1
TX125-TX150	28	F01-28	B090406014A5	HINGE PIN Φ6×14	1
TX125-TX150	29	F01-29	B090002018A5	COTTER PIN 2×18	1

F02 前叉
F02 FRONT FORK ASSY.



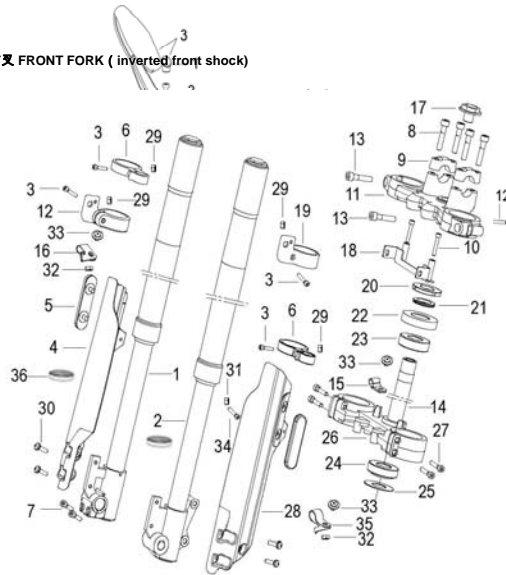
Model	NO.	Position No.	CODE	EN DESCRIPTION	Qty/U nit.
TX125-TX150	1	F02-1	43300J410000	FRONT SHOCK ABSORBER R.	1
TX125-TX150	2	F02-2	43200J410000	FRONT SHOCK ABSORBER L.	1
TX125-TX150	3	F02-3	B01090601265	BOLT M6×12	3
TX125-TX150	4	F02-4	43035M010000	CLAMP,SPEEDOMETER CABLE	1
TX125-TX150	5	F02-5	86200T490000	REFLECTOR	2
TX125-TX150	6	F02-6	45044T430000	HOOK I, BRAKE HOSE	1
TX125-TX150	7	F02-7	B0205060206A	SCREW M6×20	2
TX125-TX150	8	F02-8	B02050803565	HEXAGON SOCKET HEAD BOLT M8×35	4
TX125-TX150	9	F02-9	43014J410000	UPPER CLAMPER, HANDLEBAR PIPE	2
TX125-TX150	10	F02-10	B02050503065	HEXAGON SOCKET HEAD BOLT M5×30	2
TX125-TX150	11	F02-11	43011J410000	UPPER PLATE	1
TX125-TX150	12	F02-12	43048J410000	BRACKET, FRONT RIGHT TURN SIGNAL	1
TX125-TX150	13	F02-13	B01070804065	BOLT M8×40	2
TX125-TX150	14	F02-14	43101D010000	COLUMN,STEERING	1
TX125-TX150	15	F02-15	43058J410000	CLAMP II, ODOMETER CABLE	1
TX125-TX150	16	F02-16	43035J410000	CLAMP I, FRONT DISC RAKE	1
TX125-TX150	17	F02-17	43049D010000	BOLT, STEM FIXING M16×1×16	1
TX125-TX150	18	F02-18	65490J410000	MOUNTING BRACKET, SPEEDOMETER	1
TX125-TX150	19	F02-19	43047J410000	BRACKET, FRONT LEFT TURN SIGNAL	1
TX125-TX150	20	F02-20	43008D010010	LOCKING NUT	1
TX125-TX150	21	F02-21	43005D010000	DUST SEAL I	1
TX125-TX150	22	F02-22	43022D010000	DUST SEAL II	1
TX125-TX150	23	F02-23	B12016020500	BEARING 6205-2RS	1
TX125-TX150	24	F02-24	B12133020500	BEARING 30205	1
TX125-TX150	25	F02-25	43018D010000	LOWER WASHER, STEERING COLUMN	1
TX125-TX150	26	F02-26	43102J410000	UNDER PLATE	1
TX125-TX150	27	F02-27	B01070803565	BOLT M8×35	4
TX125-TX150	28	F02-28	43260J410000	OIL SEAL,INNER DIAMETER 31	2

F02_2 前叉 FRONT FORK (inverted front shock)

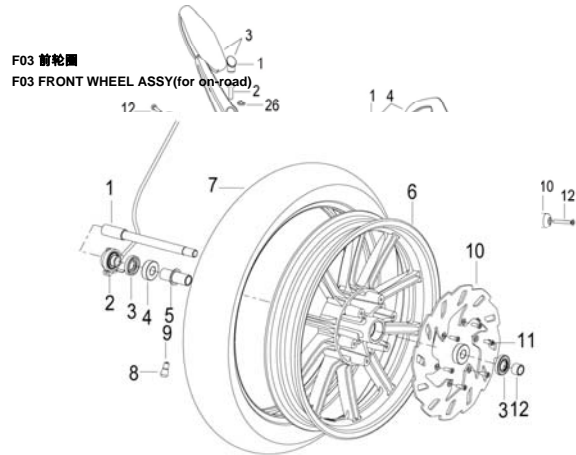


Model	NO.	Position No.	CODE	EN DESCRIPTION	Qty/U
TX125	1	F02_2	43300J410001	FRONT SHOCK ABSORBER R.GOLDEN	1
TX125	2	F02_2	43200J410001	FRONT SHOCK ABSORBER L.GOLDEN	1
TX125	1	F02_2	43300J410002	FRONT SHOCK ABSORBER	1
TX125	2	F02_2	43200J410002	FRONT SHOCK ABSORBER	1
TX125	3	F02_2	B02050502565	SCREW M5×25	4
TX125	4	F02_2	43054J69BH00	COVER,F.R. FORK ASSY.BLACK BH	1
TX125	5	F02_2	86300D010000	REFLECTOR	2
TX125	6	F02_2	43035D010000	HOOK I, BRAKE HOSE	2
TX125	7	F02_2	B0205060206A	SCREW M6X20	2
TX125	8	F02_2	B02050803565	HEXAGON SOCKET HEAD BOLT M8X35	4
TX125	9	F02_2	43014J41BH00	UPPER CLAMPER, BLACK	2
TX125	10	F02_2	B02050503065	HEXAGON SOCKET HEAD BOLT M5X30	2
TX125	11	F02_2	43011D01BH00	UPPER PLATE,BLACK BH	1
TX125	12	F02_2	81306D040000	BRACKET, FRONT RIGHT TURN SIGNAL	1
TX125	13	F02_2	B02050804065	HEXAGON SOCKET HEAD BOLT M8X40	2
TX125	14	F02_2	43101D010000	COLUMN,STEERING	1
TX125	15	F02_2	43070D010020	CLAMP II, ODOMETER CABLE	1
TX125	16	F02_2	43061D010010	CLAMP, ODOMETER CABLE	1
TX125	17	F02_2	43049D010000	BOLT, STEM FIXING	1
TX125	18	F02_2	65490D040000	MOUNTING BRACKET, SPEEDOMETER	1
TX125	19	F02_2	81106D040000	BRACKET, FRONT LEFT TURN SIGNAL	1
TX125	20	F02_2	43008D010010	LOCKING NUT	1
TX125	21	F02_2	43022D010000	DUST SEAL II,CHROMEPLATE	1
TX125	22	F02_2	43005D010000	DUST SEAL I,RUBBER	1

F02_2 前叉 FRONT FORK (inverted front shock)

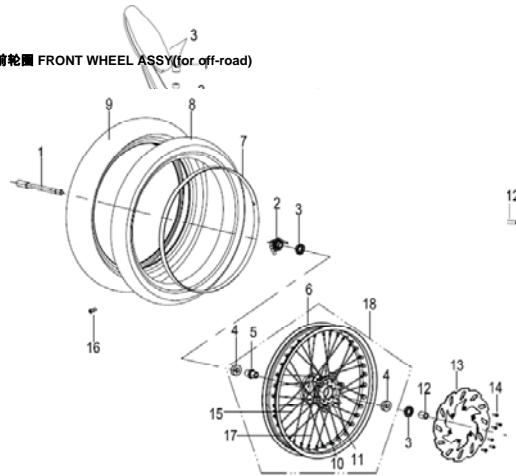


Model	NO.	Position No.	CODE	EN DESCRIPTION	Qty/U nit
TX125	23	F02_2	B12016020500	BEARING 6205-2RS	1
TX125	24	F02_2	B12133020500	BEARING 30205	1
TX125	25	F02_2	43018D010000	LOWER WASHER, STEERING COLUMN	1
TX125	26	F02_2	43102D01BH00	UNDER PLATE, BLACK BH	1
TX125	27	F02_2	B02050603065	SCREW M6×30	4
TX125	28	F02_2	43053J69BH00	COVER, F. L. FORK ASSY.	1
TX125	29	F02_2	B04020500015	NUT M5	4
TX125	30	F02_2	B13010601605	SCREW M6×16	4
TX125	31	F02_2	B04000500055	NUT M5	1
TX125	32	F02_2	B04000500055	NUT M5	2
TX125	33	F02_2	B13060501205	SCREW W/WASHER M5×12	3
TX125	34	F02_2	B02000502025	SCREW M5×20	1
TX125	35	F02_2	43035J690000	CLAMP	1
TX125	36	F02_2	43260J410001	OIL SEAL 35×48×11	2



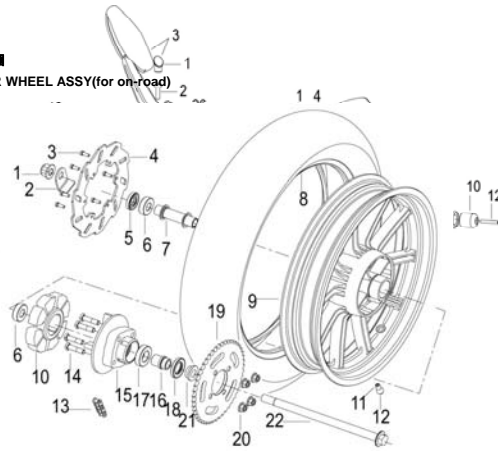
Model	NO.	Position No.	CODE	EN DESCRIPTION	Qty/U nit
TX125 SM-	1	F03-1	44004J410000	FRONT WHEEL AXLE	1
TX125 SM-	2	F03-2	44200J410002	COUNTER ASSY.	1
TX125 SM	2	F03-2	44200J410004	COUNTER ASSY.	1
TX125 SM-	3	F03-3	44017W200000	DUST SEAL	2
TX125 SM-	4	F03-4	B12016020300	BEARING 6203-2RS	2
TX125 SM-	5	F03-5	44600J410000	CENTER BUSH,FR. WHEEL	1
TX125 SM-	6	F03-6	44101J410000	RIM, FRONT WHEEL	1
TX125 SM-	7	F03-7	B140505E1721	TIRE 100/80-17	1
TX150	7	F03-7	B140105E1706	TIRE 100/80-17	1
TX125 SM-	8	F03-8	B1403Z201100	VALVE Z2-01-1	1
TX125 SM-	9	F03-9	B1404Z2011A0	CAP, VALVE Z2-01-1	1
TX125 SM-	10	F03-10	45033D040002	FRONT BRAKE DISC	1
TX125 SM-	11	F03-11	45036D010010	BOLT, FRONT BRAKE DISC M6×16	6
TX125 SM-	12	F03-12	44005J410000	LEFT BUSH, FRONT WHEEL	1

F03_1前輪圖 FRONT WHEEL ASSY(for off-road)



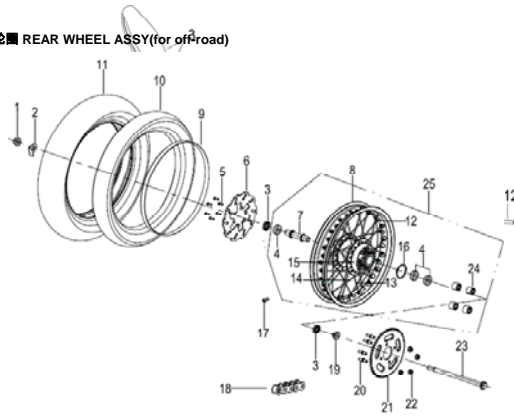
Model	NO.	Position No.	CODE	EN DESCRIPTION	Qty/U nit
TX125 EN	1	F03_1-1	44004J410000	AXIL,FRONT WHEEL	1
TX125 EN	2	F03_1-2	44200J410005	COUNTER ASSY.	1
TX125 EN	3	F03_1-3	44017W200000	DUST SEAL 22×40×7	2
TX125 EN	4	F03_1-4	B12016020300	BEARING 6203-2RS	2
TX125 EN	5	F03_1-5	44600J410001	SPACER,CENTER	1
TX125 EN	6	F03_1-6	44101J410001	RIM, FRONT WHEEL	1
TX125 EN	7	F03_1-7	44013J410000	PROTECTOR, TUBE	1
TX125 EN	8	F03_1-8	B140204F1903	INNER TUBE 90/90-19	1
TX125 EN	9	F03_1-9	B141104F1903	TIRE 90/90-19	1
TX125 EN	10	F03_1-10	44014J410001	NIPPLE	36
TX125 EN	11	F03_1-11	44102J410001	HUB,FRONT WHEEL,SILVER	1
TX125 EN	12	F03_1-12	44005J410001	BUSH, FRONT WHEEL	1
TX125 EN	13	F03_1-13	45033D040002	FRONT BRAKE DISK	1
TX125 EN	14	F03_1-14	45036D010010	BOLT, BRAKE DISK	6
TX125 EN	15	F03_1-15	44012J410001	SPOKE	18
TX125 EN	16	F03_1-16	B14042Z011A0	CAP, VALVE	1
TX125 EN	17	F03_1-17	44011J410001	FRONT, SPIKE, OUTER	18
TX125 EN	18	F03_1-18	44100J41001Z	RIM ASSY, FRONT WHEEL	1

F04 后轮图
F04 REAR WHEEL ASSY(for on-road)



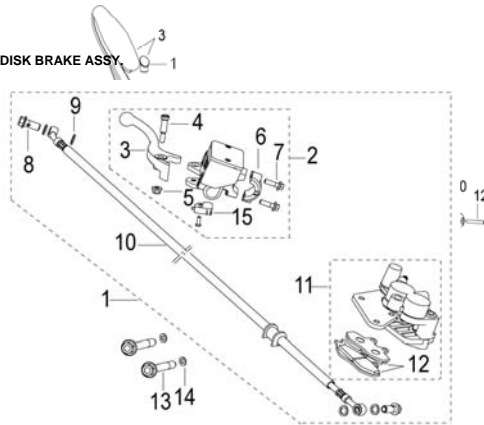
Model	NO.	Position No.	CODE	EN DESCRIPTION	Qty/U nit
TX125 SM-	1	F04-1	B04171615055	LOCKING NUT M16×1.5	1
TX125 SM-	2	F04-2	54032J410000	PLATE	1
TX125 SM-	3	F04-3	45036D010010	BOLT, REAR BRAKE DISC M6×16	6
TX125 SM-	4	F04-4	55033J410000	REAR BRAKE DISC	1
TX125 SM-	5	F04-5	44017W200000	DUST SEAL	1
TX125 SM-	6	F04-6	B12016020300	BEARIG 6203-2RS	2
TX125 SM-	7	F04-7	54550J410000	CENTER BUSH,RR. WHEEL	1
TX125 SM-	8	F04-8	B140508E1721	TUBELESSNESS TIRE 130/80-17	1
TX150	8	F04-8	B140508E1702	TUBELESSNESS TIRE 130/80-17	1
TX125 SM-	9	F04-9	54101J410000	RIM,REAR WHEEL	1
TX125 SM-	10	F04-10	54024J410000	RUBBER DAMPER, REAR WHEEL	1
TX125 SM-	11	F04-11	B14042Z011A0	CAP. VALVE Z2-01-1 A	1
TX125 SM-	12	F04-12	B1403Z201100	VALVE Z2-01-1	1
TX125 SM-	13	F04-13	B1502W1132B0	DRIVE CHAIN 428HG-1×132	1
TX125 SM-	14	F04-14	60015J410000	BOLT, REAR SPROCKET	4
TX125 SM-	15	F04-15	60001J410000	HUB, REAR SPROCKET	1
TX125 SM-	16	F04-16	60006J410000	SPACER	1
TX125 SM-	17	F04-17	B12016000500	BEARIG 6005-2RS	1
TX125 SM-	18	F04-18	60200J410000	DUST SEAL	1
TX125 SM-	19	F04-19	60002J780001	SPROCKET 50 TEETH	1
TX125 SM-	20	F04-20	B04171012554	LOCKING NUT M10×1.25	4
TX125 SM-	21	F04-21	54016J410000	LEFT BUSH, REAR WHEEL	1
TX125 SM-	22	F04-22	54004J410000	AXLE, REAR WHEEL	1

F04_1輪 REAR WHEEL ASSY(for off-road)



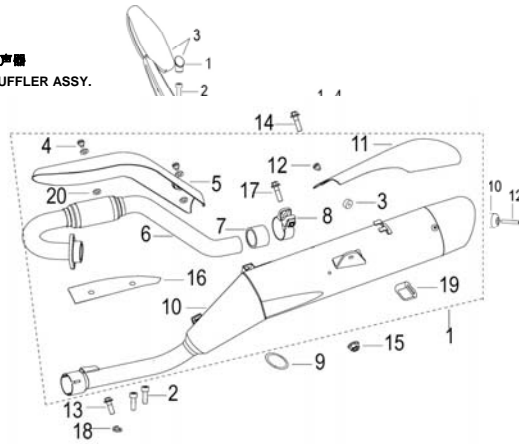
Model	NO.	Position No.	CODE	EN DESCRIPTION	Qty/U nit
TX125 EN	1	F04_1-1	B04171615055	NUT M16×1.5	1
TX125 EN	2	F04_1-2	54032J410000	PLATE	1
TX125 EN	3	F04_1-3	44017W200000	DUST SEAL ASSY 22X40X7	2
TX125 EN	4	F04_1-4	B12016020300	BEARING 6203-2RS	3
TX125 EN	5	F04_1-5	45036D010010	BOLT, REAR BRAKE DISC	6
TX125 EN	6	F04_1-6	55033J410001	REAR BRAKE DISC,δ=5mm	1
TX125 EN	7	F04_1-7	54550J410001	CENTER BUSH,REAR WHEEL	1
TX125 EN	8	F04_1-8	54101J410001	RIM,REAR WHEEL	1
TX125 EN	9	F04_1-9	54013J410000	PROTECTOR,TUBE	1
TX125 EN	10	F04_1-10	B140206F1703	INNER TUBE 110/90-17	1
TX125 EN	11	F04_1-11	B141106F1703	TIRE 110/90-17	1
TX125 EN	12	F04_1-12	54014J410001	NIPPLE	36
TX125 EN	13	F04_1-13	54012J410001	SPOKE INSIDE	18
TX125 EN	14	F04_1-14	54011J410001	SPOKE OUTSIDE	18
TX125 EN	15	F04_1-15	54110J410001	HUB,REAR WHEEL,SILVER	1
TX125 EN	16	F04_1-16	B08010005801	CIRCLIP φ58	1
TX125 EN	17	F04_1-17	B1404Z2011A0	CAP, VALVE	1
TX125 EN	18	F04_1-18	B1502W1128B0	CHAIN 428HG-1×128	1
TX125 EN	18	F04_1-18	B1502W1130B0	CHAIN 428HG-1×130	1
TX125 EN	19	F04_1-19	54016J410001	LEFT BUSH, REAR WHEEL	1
TX125 EN	20	F04_1-20	60016J410001	BOLT, SPROKET	4
TX125 EN	21	F04_1-21	60002M010001	SPROCKET 45TEETH	1
TX125 EN	21	F04_1-21	60002J780002	SPROCKET 47TEETH	1
TX125 EN	22	F04_1-22	B04171012554	NUT M10×1.25	4
TX125 EN	23	F04_1-23	54004J410000	AXLE, REAR WHEEL	1
TX125 EN	24	F04_1-24	54710J040000	REAR WHEEL CUSHION BUSH ASSY.	4
TX125 EN	25	F04_1-25	54100J410012	RIM ASSY,REAR WHEEL	1

F05 前液刹
F05 FRONT DISK BRAKE ASSY.



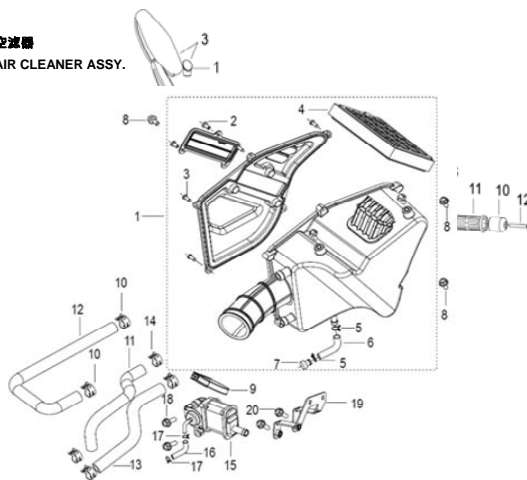
Model	NO.	Position No.	CODE	EN DESCRIPTION	Qty/U nit
TX125-TX150	1	F05-1	45900J41R800	FRONT DISK BRAKE ASSY.	1
TX125	1	F05-1	45900J41R801	FRONT DISK BRAKE ASSY.RED	1
TX125-TX150	2	F05-2	45400J410000	OIL PUMP ASSY.	1
TX125-TX150	3	F05-3	45022K010000	FRONT DISK BRAKE LEVER	1
TX125-TX150	4	F05-4	45076K010000	PIVOT, BRAKE LEVER	1
TX125-TX150	5	F05-5	B04170600005	NUT M6	1
TX125-TX150	6	F05-6	45023K010000	FIXING CLAMPER, FRONT DISC BRAKE	1
TX125-TX150	7	F05-7	B02050602565	SCREW M6×25	2
TX125-TX150	8	F05-8	55037J410000	BOLT	2
TX125-TX150	9	F05-9	55180J410000	WASHER	4
TX125-TX150	10	F05-10	45200J410000	FRONT BRAKE HOSE	1
TX125	10	F05-10	45200J410001	FRONT BRAKE HOSE	1
TX125-TX150	11	F05-11	45500J41R800	CALIPER, FRONT DISC BRAKE,IN RED	1
TX125-TX150	12	F05-12	45120B960000	PADS, FRONT DISC BRAKE	1 set
TX125-TX150	13	F05-13	08012B920000	BOLT M8×34	2
TX125-TX150	14	F05-14	B07030000804	WASHER 8	2
TX125-TX150	15	F05-15	45300T430010	SWITCH ASSY,FRONT BRAKE	1

F06 消声器
F06 MUFFLER ASSY.



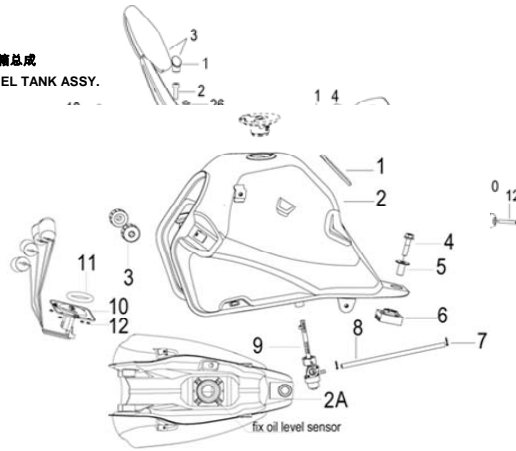
Model	NO.	Position No.	CODE	EN DESCRIPTION	Qty/U nit
TX125	1	F06-1	47100J78000Z	MUFFLER ASSY.COMP	1
TX150	1	F06-1	47100K62001Z	MUFFLER ASSY.COMP	1
TX125-TX150	2	F06-2	B02050802565	SCREW M8×25	2
TX125-TX150	3	F06-3	47028J410000	RUBBER WASHER	1
TX125-TX150	4	F06-4	B1304060120L	SCREW W/WASHER M6×12	2
TX125-TX150	5	F06-5	47009J780000	PROTECTOR, MUFFLER PIPE	1
TX125	6	F06-6	47500J780000	BENT PIPE,EXHAUST MUFFLER	1
TX150	6	F06-6	47500K620001	BENT PIPE,EXHAUST MUFFLER	1
TX125-TX150	7	F06-7	47036M010000	GASKET, EXHAUST	1
TX125-TX150	8	F06-8	47810J410000	CLAMPER	1
TX125-TX150	9	F06-9	47800J060000	GASKET ASSY, EXHAUST PIPE	1
TX125	10	F06-10	47100J780000	MAIN PART,MUFFLER	1
TX150	10	F06-10	47200K620001	MAIN PART,MUFFLER	1
TX125-TX150	11	F06-11	47780J410000	REAR DECORATING COVER	1
TX125-TX150	12	F06-12	B1304050100A	SCREW W/WASHER M5×10	1
TX125-TX150	13	F06-13	B01090801665	BOLT M8×16	1
TX125-TX150	14	F06-14	B01090803065	BOLT M8×30	1
TX125-TX150	15	F06-15	B04170800055	LOCKING NUT M8	1
TX125-TX150	16	F06-16	47043J780000	SILVER PAPER	1
TX125-TX150	17	F06-17	B01070804065	BOLT M8×40	1
TX125-TX150	18	F06-18	B07000000805	WASHERS 8	1
TX125-TX150	19	F06-19	47232J410000	RUBBER PAD	2
TX125-TX150	20	F06-20	08022N050000	RED WASHER	4

F07 空濾器
F07 AIR CLEANER ASSY.

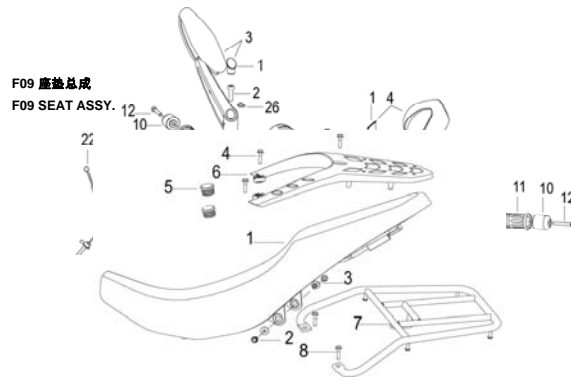


Model	NO.	Position No.	CODE	EN DESCRIPTION	Qty/Unit
TX125-TX150	1	F07-1	49100J780000	AIR CLEANER ASSY	1
TX150	1	F07-1	49100J780002	AIR CLEANER ASSY	1
TX125-TX150	2	F07-2	B02000501025	SCREW M5×10	3
TX125-TX150	3	F07-3	B05004201605	SELF-TAPPING SCREW ST4.2×16	5
TX125-TX150	4	F07-4	49200J410000	AIR FILTER	1
TX125-TX150	5	F07-5	B17010090003	CLIP Φ9	2
TX125-TX150	6	F07-6	49009J000000	PIPE	1
TX125-TX150	7	F07-7	49011J000000	DRAIN PLUG	1
TX125-TX150	8	F07-8	B01090601265	BOLT M6×12	3
TX125-TX150	9	F07-9	49350J780010	CLAMER	1
TX125	10	F07-10	49804J000000	CLIP Φ17.5×10×1	2
TX125	11	F07-11	49613J410000	HOSE	1
TX125	12	F07-12	49801J780000	COMBINATION VALVES WITH EMPTY	1
TX125	13	F07-13	49802J780000	COMBINATION VALVES AND ENGINE	1
TX125	14	F07-14	49855J000000	PLATE CLAMP Φ16.5×10×1	4
TX125	15	F07-15	49810J830000	COMBINATION VALVES COMPONENTS	1
TX125	16	F07-16	B16010424001	OIL TUBE 4×2×400	1
TX125	17	F07-17	50306T450010	PLATE CLAMP	2
TX125	18	F07-18	B01090602065	BOLT M6×20	2
TX125	19	F07-19	57050J780000	COMBINATION VALVES CONNECTION	1
TX125	20	F07-20	B01090601265	BOLT M6×12	2

F08 油桶总成
F08 FUEL TANK ASSY.

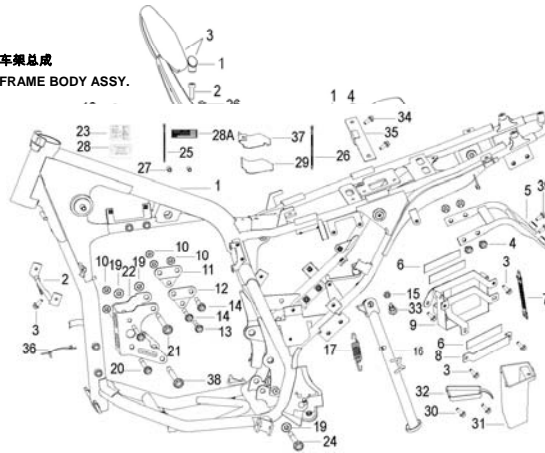


Model	NO.	Position No.	CODE	EN DESCRIPTION	Qty/U nit
TX125-TX150	1	F08-1	50007J410000	CUSHION, FUEL TANK	1
TX125-TX150	2	F08-2	50100J410010	FUEL TANK	1
TX150	2A	F08-2A	50100J780000	FUEL TANK	1
TX125-TX150	3	F08-3	50006J130000	CUSHION,	2
TX125-TX150	4	F08-4	B01090803565	BOLT M8×35	1
TX125-TX150	5	F08-5	50014J410000	BUSH	1
TX125-TX150	6	F08-6	50005J410000	RUBBER CUSHION, FUEL TANK	1
TX125-TX150	7	F08-7	B17010080003	CLIP 8	2
TX125-TX150	8	F08-8	B16010C21601	PIPE Φ4.5×8.5×160	1
TX125-TX150	9	F08-9	50300K010000	TANK SWITCH ASSY	1
TX150	10	F08-10	50800J780000	OIL LEVEL SENSOR	1
TX150	11	F08-11	50002K020000	CUSHION,RUBBER	1
TX150	12	F08-12	B04070600055	NUT M6	4



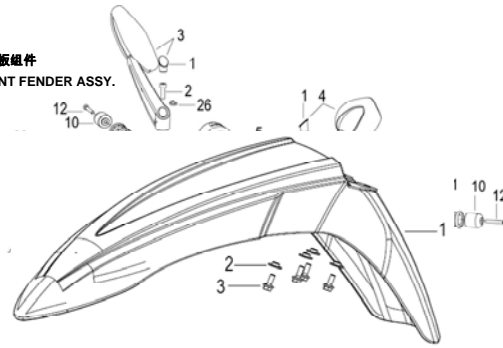
Model	NO.	Position No.	CODE	EN DESCRIPTION	Qty/U nit
TX125-TX150	1	F09-1	51100J410005	SEAT ASSY.MARK:KEEWAY,without	1
TX125	1	F09-1	51100J410009	SEAT ASSY.MARK:KEEWAY,with	1
TX125-TX150	2	F09-2	B01090602565	BOLT M6×25	2
TX125-TX150	3	F09-3	51076J410000	BUSH	2
TX125-TX150	4	F09-4	B01070802564	BOLT M8×25	3
TX125-TX150	5	F09-5	52014J410000	CAP, REAR CARRIER	1
TX125 SM-	6	F09-6	52002J41HP00	REAR CARRIER GRAY HP	1
TX125 EN	7	F09-7	52100J410101	REAR CARRIER ,BLACK	1
TX125 EN	8	F09-8	B01070802064	BOLT M8×20	3

F10 车架总成
F10 FRAME BODY ASSY.



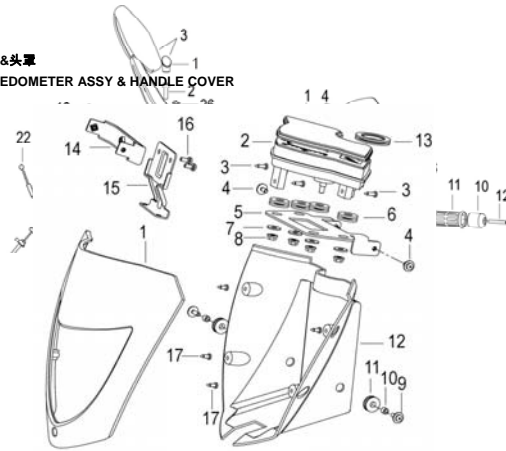
Model	NO.	Position No.	CODE	EN DESCRIPTION	Qty/U nit
TX125	1	F10-1	57100J780000	FRAME COMP	1
TX125	1	F10-1	57100J780001	FRAME COMP	1
TX125	1	F10-1	57100J780003	FRAME COMP	1
TX125	1	F10-1	57100J780004	FRAME COMP	1
TX125	1	F10-1	57100J780006	FRAME COMP	1
TX125-TX150	1	F10-1	57100J780005	FRAME COMP	1
TX150	1	F10-1	57100J780007	FRAME COMP	1
TX125-TX150	2	F10-2	59400J410000	BRACKET,FRONT COVER	1
TX125-TX150	3	F10-3	B01090601265	BOLT M6*12	6
TX125-TX150	4	F10-4	B01090801665	BOLT M8*16	6
TX125-TX150	5	F10-5	59410J410000	BRACKET ASSY,REAR FENDER	1
TX125-TX150	6	F10-6	58821J410000	RUBBER 102*20*4	4
TX125-TX150	7	F10-7	96004T450000	BELT,BATTERY	1
TX125-TX150	8	F10-8	58822J410000	BRACKET,FIX BATTERY	1
TX125-TX150	9	F10-9	58750J410000	WELDING ASSY., BRACKET BATTERY	1
TX125-TX150	10	F10-10	B04170800055	NUT M8	5
TX125-TX150	11	F10-11	57008J780000	BRACKET, E/G, UPPER RH	1
TX125-TX150	12	F10-12	57009J780000	BRACKET, E/G, UPPER LH	1
TX125-TX150	13	F10-13	B01090805565	BOLT M8*55	1
TX125-TX150	14	F10-14	B01090806065	BOLT M8*60	2
TX125-TX150	15	F10-15	B04011012555	NUT M10*1.25	1
TX125-TX150	16	F10-16	58700J780000	SIDE STAND ASSY	1
TX125-TX150	17	F10-17	58510K020000	SPRING, MID STAND	1
TX125-TX150	19	F10-19	B04171012555	NUT M8 M10*1.25	3
TX125-TX150	20	F10-20	B01090808565	BOLT M8*85	2
TX125-TX150	21	F10-21	B01591011565	BOLT M10*1.25*115	1
TX125-TX150	22	F10-22	57011J780000	BRACKET, E/G, FRONT	1
TX125	23	F10-23	57002J780000	PREVENT REFITTING LABEL	1
TX125-TX150	24	F10-24	B01591009565	BOLT M10*1.25*95	1
TX125-TX150	25	F10-25	96001J000000	CDU ELASTIC BELT 150MM	6
TX125-TX150	26	F10-26	96004J000000	CDU ELASTIC BELT 300MM	4
TX125-TX150	27	F10-27	B10000300600	RIVET 3*6	2
TX125	28	F10-28	57001J780000	LABEL, FRAME	1
TX150	28A	F10-28A	57001K620003	LABEL, FRAME	1
TX150	28A	F10-28A	57001M030000A	LABEL, FRAME	1
TX125-TX150	29	F10-29	57043J410000	SILVER PAPER	1
TX125-TX150	30	F10-30	B01090601265	BOLT M6*12	2
TX125-TX150	31	F10-31	02131J410000	KIT	1
TX125-TX150	32	F10-32	02132J410000	COVER, KIT	1
TX125-TX150	33	F10-33	57005J410000	FIXING BOLT, SIDE STAND M10*1.25*32	1
TX125-TX150	34	F10-34	B01090601665	BOLT M6*16	2
TX125-TX150	35	F10-35	51112J410000	HOOK,PLATE,BOTTOM	1
TX125-TX150	36	F10-36	65708J000000	CLIP	1
TX125-TX150	37	F10-37	57042J410000	MOUNTING PLATE, OIL CAP	1
TX125-TX150	38	F10-38	B01591010065	BOLT M10*1.25*100	1
TX125-TX150	39	F10-39	B01090602065	BOLT M6*20	2

F11 前泥板组件
F11 FRONT FENDER ASSY.



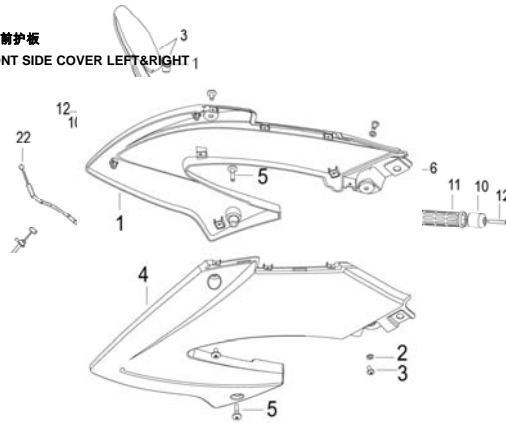
Model	NO.	Position No.	CODE	EN DESCRIPTION	Qty/Unit
TX125-TX150	1	F11-1	6510J41HP00	FRONT FENDER GRAY HP WITHOUT	1
TX125	1	F11-1	6510J41HP01	FRONT FENDER GRAY HP WITHOUT	1
TX125-TX150	1	F11-1	6510J41006Z	FRONT FENDER GRAY HP WITH	1
TX125-TX150	1	F11-1	6510J41007Z	FRONT FENDER GRAY HP WITH	1
TX125-TX150	1	F11-1	6510J41008Z	FRONT FENDER GRAY HP WITH	1
TX125-TX150	1	F11-1	6510J41009Z	FRONT FENDER GRAY HP WITH	1
TX125-TX150	1	F11-1	6510J41010Z	FRONT FENDER GRAY HP WITH	1
TX125	1	F11-1	6510J41017Z	FRONT FENDER GRAY HP WITH	1
TX125	1	F11-1	6510J41012Z	FRONT FENDER GRAY HP WITH	1
TX125	1	F11-1	6510J41013Z	FRONT FENDER GRAY HP WITH	1
TX125	1	F11-1	6510J41014Z	FRONT FENDER GRAY HP WITH	1
TX125	1	F11-1	6510J41015Z	FRONT FENDER GRAY HP WITH	1
TX125-TX150	2	F11-2	08305B400000	BUSH	4
TX125-TX150	3	F11-3	B01090601665	BOLT M6×16	4

F12 仪表&头罩
F12 SPEEDOMETER ASSY & HANDLE COVER



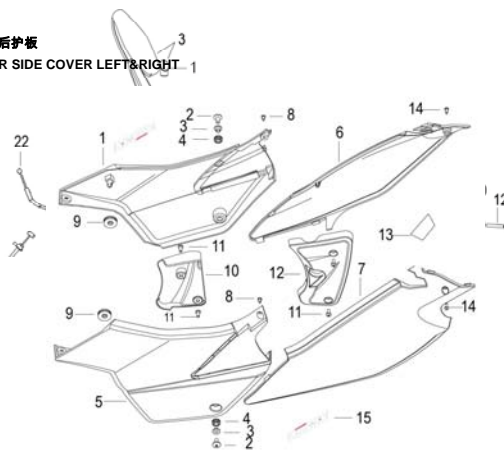
Model	NO.	Position No.	CODE	EN DESCRIPTION	Qty/U nit
TX125-TX150	1	F12-1	65501D040050	FRONT COWLING WHITE/GRAY W1/HP	1
TX125-TX150	1	F12-1	65501D040060	FRONT COWLING BLACK/GRAY B5/HP	1
TX125-TX150	1	F12-1	65501D040070	FRONT COWLING ORANGE/GRAY	1
TX125-TX150	1	F12-1	65501D040080	FRONT COWLING GRAY J2/HP	1
TX125-TX150	1	F12-1	65501D040090	FRONT COWLING RED/GRAY TL/HP	1
TX125 SM-	2	F12-2	70000J410003	SPEEDOMETER ASSY.	1
TX125 EN	2	F12-2	70000J410004	SPEEDOMETER ASSY.	1
TX125-TX150	3	F12-3	B05074201605	SELF-TAPPING SCREW ST4.2×16	3
TX125-TX150	4	F12-4	B13060501205	SCREW W/WASHER M5×12	2
TX125-TX150	5	F12-5	65530D040000	BRACKET ASSY.SPEEDOMETER	1
TX125-TX150	6	F12-6	65618J000000	RUBBER CUSHION 1,SIDE COVER	4
TX125-TX150	7	F12-7	B07020000605	WASHER 6	4
TX125-TX150	8	F12-8	B04070600055	NUT 6	4
TX125-TX150	9	F12-9	B13060501605	SCREW W/WASHER M5×16	2
TX125-TX150	10	F12-10	65517D040000	SPACER,REAR COWLING	2
TX125-TX150	11	F12-11	65704J000000	RUBBER CUSHION 2, SIDE COVER	2
TX125-TX150	12	F12-12	65483D040000	REAR COWLING	1
TX125-TX150	13	F12-13	70015D040000	CUSHION,SPEEDOMETER	1
TX125-TX150	14	F12-14	65550J410000	BRACKET ASSY	1
TX125	14	F12-14	65550D040000	BRACKET ASSY	1
TX125-TX150	15	F12-15	65541D010000	BRACKET	1
TX125-TX150	16	F12-16	B13010501205	SCREW W/WASHER M5×12	2
TX125-TX150	17	F12-17	B05074001205	SELF-TAPPING SCREW ST4×12	4

F13 左右前护板
F13 FRONT SIDE COVER LEFT&RIGHT 1



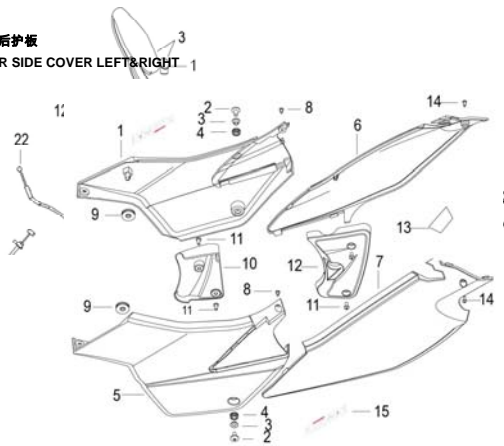
Model	NO.	Position No.	CODE	EN DESCRIPTION	Qty/U nit
TX125-TX150	1	F13-1	65633J41HP00	SIDE COVER,FRONT RH GRAY HP	1
TX125 SM-	1	F13-1	65633J41006Z	SIDE COVER,FRONT RHGRAY HP.WITH	1
TX125 SM-	1	F13-1	65633J41007Z	SIDE COVER,FRONT RHGRAY HP.WITH	1
TX125 SM-	1	F13-1	65633J41008Z	SIDE COVER,FRONT RHGRAY HP.WITH	1
TX125 SM-	1	F13-1	65633J41009Z	SIDE COVER,FRONT RHGRAY HP.WITH	1
TX125 SM-	1	F13-1	65633J41010Z	SIDE COVER,FRONT RHGRAY HP.WITH	1
TX125 EN	1	F13-1	65633J41011Z	SIDE COVER,FRONT RHGRAY HP.WITH	1
TX125 EN	1	F13-1	65633J41012Z	SIDE COVER,FRONT RHGRAY HP.WITH	1
TX125 EN	1	F13-1	65633J41013Z	SIDE COVER,FRONT RHGRAY HP.WITH	1
TX125 EN	1	F13-1	65633J41014Z	SIDE COVER,FRONT RHGRAY HP.WITH	1
TX125 EN	1	F13-1	65633J41015Z	SIDE COVER,FRONT RHGRAY HP.WITH	1
TX125-TX150	2	F13-2	65618J000000	RUBBER CUSHION 1,SIDE COVER	2
TX125-TX150	3	F13-3	B02060601225	SCREW M6×12	4
TX125-TX150	4	F13-4	65632J41HP00	SIDE COVER,FRONT LH GRAY HP	1
TX125 SM-	4	F13-4	65632J41006Z	SIDE COVER,FRONT LH GRAY HP WITH	1
TX125 SM-	4	F13-4	65632J41007Z	SIDE COVER,FRONT LH GRAY HP WITH	1
TX125 SM-	4	F13-4	65632J41008Z	SIDE COVER,FRONT LH GRAY HP WITH	1
TX125 SM-	4	F13-4	65632J41009Z	SIDE COVER,FRONT LH GRAY HP WITH	1
TX125 SM-	4	F13-4	65632J41010Z	SIDE COVER,FRONT LH GRAY HP WITH	1
TX125 EN	4	F13-4	65632J41011Z	SIDE COVER,FRONT LH GRAY HP WITH	1
TX125 EN	4	F13-4	65632J41012Z	SIDE COVER,FRONT LH GRAY HP WITH	1
TX125 EN	4	F13-4	65632J41013Z	SIDE COVER,FRONT LH GRAY HP WITH	1
TX125 EN	4	F13-4	65632J41014Z	SIDE COVER,FRONT LH GRAY HP WITH	1
TX125 EN	4	F13-4	65632J41015Z	SIDE COVER,FRONT LH GRAY HP WITH	1
TX125-TX150	5	F13-5	B02060603525	SCREW M6×35	2

F14 左右后护板
F14 REAR SIDE COVER LEFT&RIGHT 1



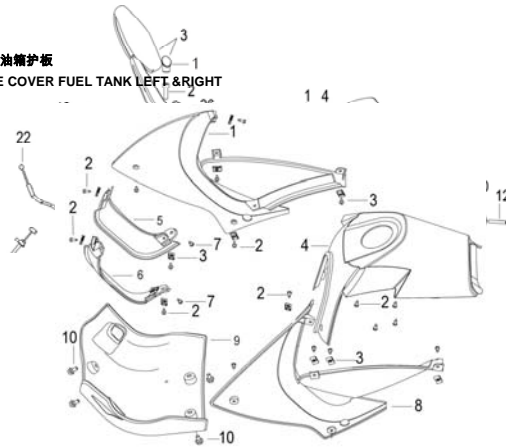
Model	NO.	Position No.	CODE	EN DESCRIPTION	Qty/U nit
TX125-TX150	1	F14-1	65602J410000	SIDE COVER,RH	1
TX125-TX150	2	F14-2	802060601625	SCREW M6×16	2
TX125-TX150	3	F14-3	65627J410000	SPACER,SIDE COVER	2
TX125-TX150	4	F14-4	57039S010000	RUBBER CUSHION	2
TX125-TX150	5	F14-5	65601J410000	SIDE COVER,LH	1
TX125-TX150	6	F14-6	65604J41BH00	SIDE COVER,REAR RH BLACK BH	1
TX125	6	F14-6	65604J41030Z	SIDE COVER,REAR RH BLACK BH,WITH	1
TX125	6	F14-6	65604J41030Z	SIDE COVER,REAR RH BLACK BH,WITH	1
TX125	6	F14-6	65604J41031Z	SIDE COVER,REAR RH BLACK BH,WITH	1
TX125	6	F14-6	65604J41032Z	SIDE COVER,REAR RH BLACK BH,WITH	1
TX125	6	F14-6	65604J41033Z	SIDE COVER,REAR RH BLACK BH,WITH	1
TX125	6	F14-6	65604J41044Z	SIDE COVER,REAR RH BLACK BH,WITH	1
TX125	6	F14-6	65604J41044Z	SIDE COVER,REAR RH BLACK BH,WITH	1
TX125	6	F14-6	65604J41045Z	SIDE COVER,REAR RH BLACK BH,WITH	1
TX125	6	F14-6	65604J41046Z	SIDE COVER,REAR RH BLACK BH,WITH	1
TX125	6	F14-6	65604J41047Z	SIDE COVER,REAR RH BLACK BH,WITH	1
TX150	6	F14-6	65604J41066Z	SIDE COVER,REAR RH BLACK BH,WITH	1
TX150	6	F14-6	65604J41067Z	SIDE COVER,REAR RH BLACK BH,WITH	1
TX150	6	F14-6	65604J41068Z	SIDE COVER,REAR RH BLACK BH,WITH	1
TX150	6	F14-6	65604J41069Z	SIDE COVER,REAR RH BLACK BH,WITH	1
TX125-TX150	7	F14-7	65603J41BH00	SIDE COVER,REAR LH BLACK BH	1
TX125	7	F14-7	65603J41030Z	SIDE COVER,REAR LH BLACK BH,WITH	1
TX125	7	F14-7	65603J41030Z	SIDE COVER,REAR LH BLACK BH,WITH	1
TX125	7	F14-7	65603J41031Z	SIDE COVER,REAR LH BLACK BH,WITH	1
TX125	7	F14-7	65603J41032Z	SIDE COVER,REAR LH BLACK BH,WITH	1
TX125	7	F14-7	65603J41033Z	SIDE COVER,REAR LH BLACK BH,WITH	1
TX125	7	F14-7	65603J41044Z	SIDE COVER,REAR LH BLACK BH,WITH	1
TX125	7	F14-7	65603J41044Z	SIDE COVER,REAR LH BLACK BH,WITH	1
TX125	7	F14-7	65603J41045Z	SIDE COVER,REAR LH BLACK BH,WITH	1
TX125	7	F14-7	65603J41046Z	SIDE COVER,REAR LH BLACK BH,WITH	1

F14 左右后护板
F14 REAR SIDE COVER LEFT&RIGHT 1



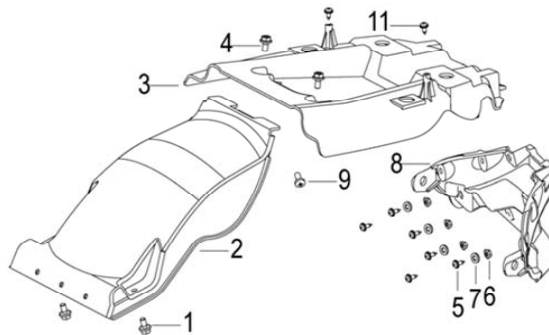
Model	NO.	Position No.	CODE	EN DESCRIPTION	Qty/U nit
TX125	7	F14-7	65603J41047Z	SIDE COVER,REAR LH BLACK BH,WITH	1
TX150	7	F14-7	65603J41066Z	SIDE COVER,REAR LH BLACK BH,WITH	1
TX150	7	F14-7	65603J41067Z	SIDE COVER,REAR LH BLACK BH,WITH	1
TX150	7	F14-7	65603J41068Z	SIDE COVER,REAR LH BLACK BH,WITH	1
TX150	7	F14-7	65603J41069Z	SIDE COVER,REAR RH BLACK BH,WITH	1
TX125-TX150	8	F14-8	B05074201305	SELF-TAPPING SCREW ST4,2×13	2
TX125-TX150	9	F14-9	65618J000000	RUBBER CUSHION 1,SIDE COVER	2
TX125-TX150	10	F14-10	65631J78HN00	BOARD,FOOTREST RH SILVER HN	1
TX125-TX150	11	F14-11	B13010501205	SCREW M5×12	4
TX125-TX150	12	F14-12	65629J78HN00	BOARD,FOOTREST LH SILVER HN	1
TX125-TX150	13	F14-13	65636J410000	SILVER PAPER	1
TX125-TX150	14	F14-14	B05074201605	SELF-TAPPING SCREW ST4,2×16	2
TX125-TX150	15	F14-15	05511J800000	STICKER, GUARD BOARD	2

F15 左右油箱护板
F15 SIDE COVER FUEL TANK LEFT & RIGHT



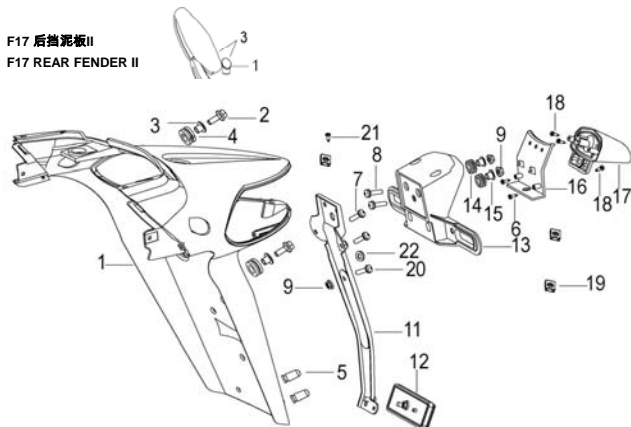
Model	NO.	Position No.	CODE	EN DESCRIPTION	Qty/U nit
TX125-TX150	1	F15-1	65622J410000	DECORATE BOARD,FRONT SIDE	1
TX125-TX150	2	F15-2	B05074201305	SELF-TAPPING SCREW ST4.2×13	20
TX125-TX150	3	F15-3	65801T020020	INSERT ST4.2	12
TX125-TX150	4	F15-4	65605J410000	LINK BOARD,FRONT SIDE COVER LH	1
TX125-TX150	5	F15-5	50016J410000	SIDE COVER,FUEL TANK RH	1
TX125-TX150	6	F15-6	50015J410000	SIDE COVER,FUEL TANK LH	1
TX125-TX150	7	F15-7	B02000601025	SCREW M6×10	4
TX125-TX150	8	F15-8	65621J410000	DECORATE BOARD,FRONT SIDE	1
TX125-TX150	9	F15-9	65406J41HN00	COVER SILVER HN	1
TX125-TX150	10	F15-10	B01090601265	BOLT M6×12	4

F16 后挡泥板
F16 REAR FENDER I



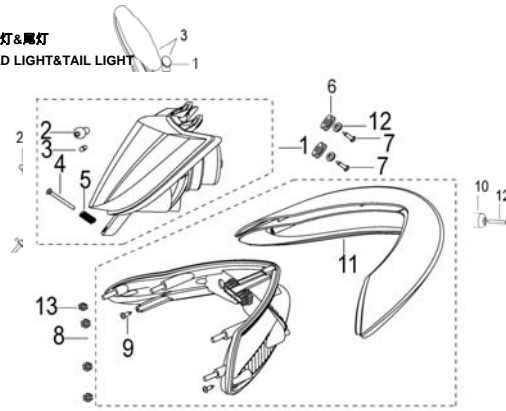
Model	NO.	Position No.	CODE	EN DESCRIPTION	Qty/U nit
TX125-TX150	1	F16-1	B01090601265	BOLT M6×12	4
TX125-TX150	2	F16-2	65761J410000	REAR FENDER,UNDER	1
TX125-TX150	3	F16-3	65709J410000	REAR FENDER I	1
TX125-TX150	4	F16-4	B01090601265	BOLT M6×12	1
TX125-TX150	5	F16-5	B05074201305	SELF-TAPPING SCREW ST4.2×13	6
TX125-TX150	6	F16-6	B04070600055	NUT 6	4
TX125-TX150	7	F16-7	B07020000605	WASHER 6	4
TX125-TX150	8	F16-8	65606J410000	LINK BOARD, REAR SIDE COVER LH RH	1
TX125-TX150	9	F16-9	B02060601225	SCREW M6×12	1
TX125-TX150	11	F16-11	B05074201605	SCREW 4.2×16	2

F17 后挡泥板II
F17 REAR FENDER II

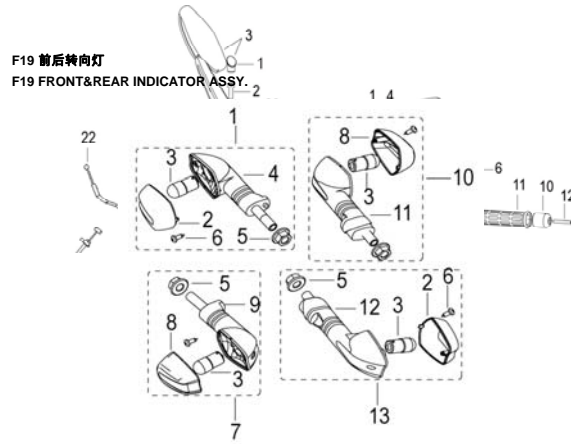


Model	NO.	Position No.	CODE	EN DESCRIPTION	Qty/U nit
TX125-TX150	1	F17-1	65701J410000	MUDGUARD	1
TX125-TX150	2	F17-2	B01090601665	BOLT M6×16	2
TX125-TX150	3	F17-3	65627J410000	SPACER,SIDE COVER	2
TX125-TX150	4	F17-4	65713J410000	RUBBER CUSHION	2
TX125-TX150	5	F17-5	65714J410000	RUBBER CUSHION I	2
TX125-TX150	6	F17-6	B05004201305	SELF-TAPPING SCREW ST4.2×13	2
TX125-TX150	7	F17-7	B13060501205	SCREW W/WASHER M5×12	2
TX125-TX150	8	F17-8	B13060502005	SCREW W/WASHER M5×20	2
TX125-TX150	9	F17-9	B04070500055	NUT 5	3
TX125-TX150	11	F17-11	65710J410000	BRACKET,REAR REFLECTOR	1
TX125-TX150	12	F17-12	86500T030001	REAR REFLECTOR	1
TX125-TX150	13	F17-13	08252J410000	LICENSE PLATE	1
TX125-TX150	14	F17-14	57039S010000	RUBBER CUSHION	2
TX125-TX150	15	F17-15	58307B450000	SPACER	2
TX125-TX150	16	F17-16	82902J410000	HOLDER,LAMP OF BACK & LICENSE	1
TX125-TX150	17	F17-17	82900J410000	LIGHT,LICENSE	1
TX125-TX150	18	F17-18	B05004201305	SELF-TAPPING SCREW ST4.2×13	3
TX125-TX150	19	F17-19	65801T020020	INSERT ST4.2	3
TX125-TX150	20	F17-20	B13060501605	SCREW W/WASHER M5×16	1
TX125-TX150	21	F17-21	B05074201305	SELF-TAPPING SCREW ST4.2×13	1
TX125-TX150	22	F17-22	B07020000505	WASHER 5	1

F18 前大灯&尾灯
F18 HEAD LIGHT&TAIL LIGHT

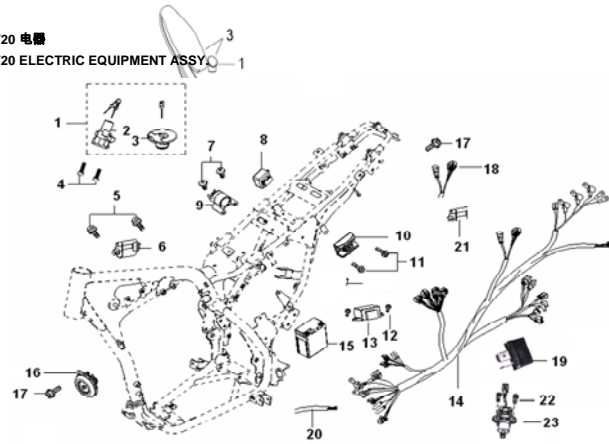


Model	NO.	Position No.	CODE	EN DESCRIPTION	Qty/U nit
TX125-TX150	1	F18-1	8000J410000	HEAD LIGHT ASSY	1
TX125-TX150	2	F18-2	B240105200F0	BULB S2	1
TX125-TX150	3	F18-3	B240131200F0	BULB SW	1
TX125-TX150	4	F18-4	B02000503023	SCREW M5×30	1
TX125-TX150	5	F18-5	80035J4110000	SPRING ADJUST	1
TX125-TX150	6	F18-6	88803K100000	CUSHION	2
TX125-TX150	7	F18-7	B05074201605	SCREW 4.2×16	2
TX125-TX150	8	F18-8	82000J410000	TAIL LIGHT	1
TX125-TX150	9	F18-9	B05074201305	SELF-TAPPING SCREW ST4.2×13	7
TX125-TX150	11	F18-11	82001D040000	COVER,TAIL LIGHT SHIELD	1
TX125-TX150	12	F18-12	B07020000505	WASHER 5	2
TX125-TX150	13	F18-13	B04070600055	NUT 6	4



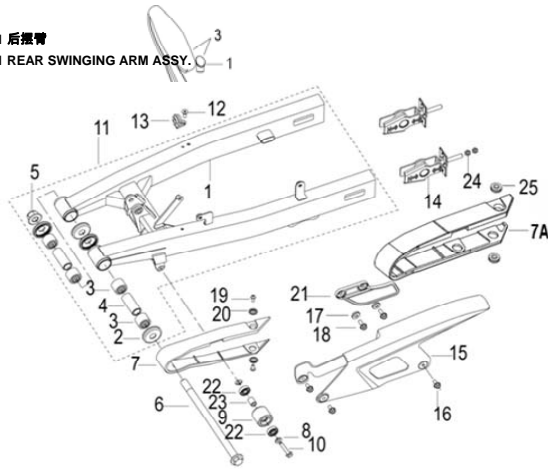
Model	NO.	Position No.	CODE	EN DESCRIPTION	Qty/U nit
TX125-TX150	1	F19-1	81300D010002	INDICATOR LIGHT,FRONT RIGHT	1
TX125-TX150	2	F19-2	81502D010001	LENS,INDICATOR LIGHT,REAR LEFT	2
TX125-TX150	3	F19-3	B24014020002	BULB,INDICATOR LIGHT FR.12V/10W	4
TX125-TX150	4	F19-4	81301D010000	BASE, INDICATOR LIGHT FR. RH.	1
TX125-TX150	5	F19-5	B04071000053	NUT 10	4
TX125-TX150	6	F19-6	B05003001003	SCREWS3×10	4
TX125-TX150	7	F19-7	81100D010002	INDICATOR LIGHT,FRONT LEFT	1
TX125-TX150	8	F19-8	81702D010001	LENS,INDICATOR LIGHT,REAR RIGHT	2
TX125-TX150	9	F19-9	81101D010000	BASE, INDICATOR LIGHT FR. LH.	1
TX125-TX150	10	F19-10	81700J410010	INDICATOR LIGHT,REAR RIGHT	1
TX125-TX150	11	F19-11	81101D010000	BASE, INDICATOR LIGHT FR. LH.	1
TX125-TX150	12	F19-12	81301D010000	BASE, INDICATOR LIGHT FR. RH.	1
TX125-TX150	13	F19-13	81500J410010	INDICATOR LIGHT RR,LH.	1

F20 電器
F20 ELECTRIC EQUIPMENT ASSY.

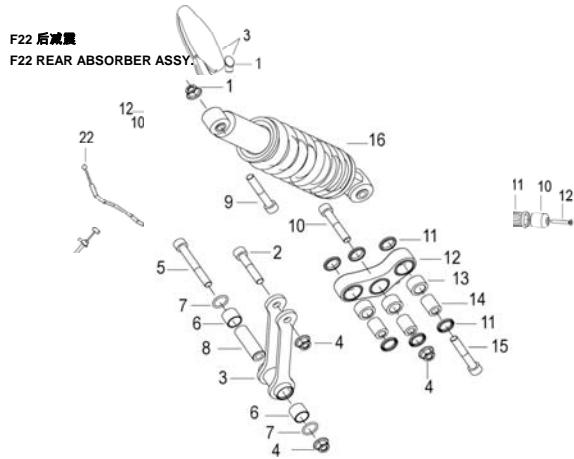


Model	NO.	Position No.	CODE	EN DESCRIPTION	Qty/U nit
TX125-TX150	1	F20-1	8800J410000	LOCK SET	1
TX125-TX150	2	F20-2	88100J410000	MAIN SWITCH ASSY.	1
TX125-TX150	3	F20-3	88400J410000	LOCK ASSY., FUEL TANK	1
TX125-TX150	4	F20-4	B02050602065	SCREW M6×20	2
TX125-TX150	5	F20-5	B01090501665	BOLT M5×16	2
TX125-TX150	6	F20-6	96200J060001	IGNITION COIL	1
TX125-TX150	7	F20-7	B01090601265	BOLT M6×12	2
TX125-TX150	8	F20-8	96400K010001	FLASHER	1
TX125-TX150	9	F20-9	94100J000002	START RELAY	1
TX125-TX150	10	F20-10	299083090010	RECTIFIER	1
TX125-TX150	11	F20-11	B01090602565	BOLT M6×25	2
TX125-TX150	12	F20-12	B01090601665	BOLT M6×16	2
TX125-TX150	13	F20-13	299053090000	C.D.I.	1
TX125-TX150	14	F20-14	92000J780000	MAIN WRIE HARNESS	1
TX150	14	F20-14	92000J780002	MAIN WRIE HARNESS	1
TX125-TX150	15	F20-15	96100T100000	BATTERY	1
TX125-TX150	16	F20-16	95100G120001	HORN	1
TX125-TX150	17	F20-17	B01090601265	BOLT M6×12	2
TX125-TX150	18	F20-18	92500J110000	EARTH WIRE	1
TX125-TX150	19	F20-19	96700K060000	ACTUATING DIODE	1
TX125-TX150	20	F20-20	92210B980000	LINE_CONNECTING,POWER	1
TX125-TX150	21	F20-21	94118B910000	JACKET	1
TX125-TX150	22	F20-22	B02050501265	SCREW M5×12	2
TX125-TX150	23	F20-23	95800N140000	EDGE SUPPORT FLAMEOUT SWITCH	1
TX150	23	F20-23	91170N070000	EDGE SUPPORT FLAMEOUT SWITCH	1

F21 后摆臂
F21 REAR SWINGING ARM ASSY.

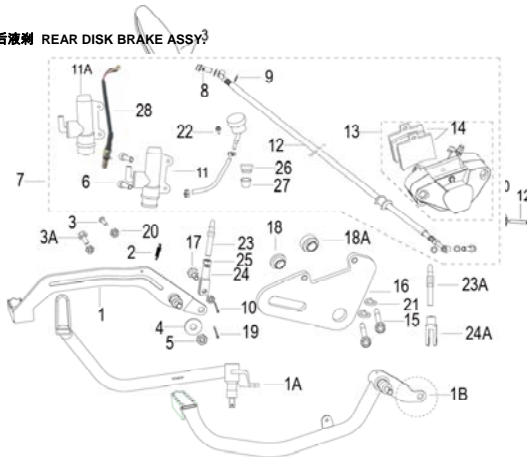


Model	NO.	Position No.	CODE	EN DESCRIPTION	Qty/U
TX125 SM-	1	F21-1	53100J78HN00	REAR SWINGING ARM COMP.SILVER	1
TX125 EN	1	F21-1	53100J78HN01	REAR SWINGING ARM COMP.SILVER	1
TX125-TX150	2	F21-2	44017J130001	SEAL, DUST	4
TX125-TX150	3	F21-3	B1212K202000	NEEDLE BEARING HK2020	4
TX125-TX150	4	F21-4	53119J780000	INNER BUSH	2
TX125-TX150	5	F21-5	B04171415055	NUT M14×1.5	1
TX125-TX150	6	F21-6	53001J410000	AXLE	1
TX125-TX150	7	F21-7	53004D010000	BUFFER, CHAIN TOUCH DEFENSE	1
TX150	7A	F21-7A	53004J800000	BUFFER, CHAIN TOUCH DEFENSE	1
TX125-TX150	8	F21-8	53021J410000	BUSH	2
TX125-TX150	9	F21-9	53018J410000	CHAIN TENSION GEAR	1
TX125-TX150	10	F21-10	B01090605065	BOLT M6×50	1
TX125 SM-	11	F21-11	53100J78HN0Z	WELD ASSY., REAR SWIMING ARM	1
TX125 EN	11	F21-11	53100J78HN1Z	WELD ASSY., REAR SWIMING ARM	1
TX125-TX150	12	F21-12	B02010601225	SCREW M6×12	1
TX125-TX150	13	F21-13	40022N050002	BUSH	1
TX125-TX150	14	F21-14	53230J410000	ADJUSTER ASSY., CHAIN	2
TX125-TX150	15	F21-15	60101J410000	CASE,CHAIN	1
TX125-TX150	16	F21-16	B01090601265	BOLT M6×12	3
TX125-TX150	17	F21-17	53055D010000	SPASER 1	2
TX125-TX150	18	F21-18	B01090601665	BOLT M6×16	2
TX125-TX150	19	F21-19	B02000501225	SCREW M5×12	2
TX125-TX150	20	F21-20	53056D010050	SPACER 2	2
TX125-TX150	21	F21-21	53054D010000	CHAIN LOWER PROTECTING COVER	1
TX125-TX150	22	F21-22	B12016060800	BEARING608	2
TX125-TX150	23	F21-23	53019J410000	BUSH,CHAIN TIGHTENING WHEEL	1
TX125-TX150	24	F21-24	B04000800055	NUT 8	4
TX150	25	F21-25	53018J800000	BUSH	2



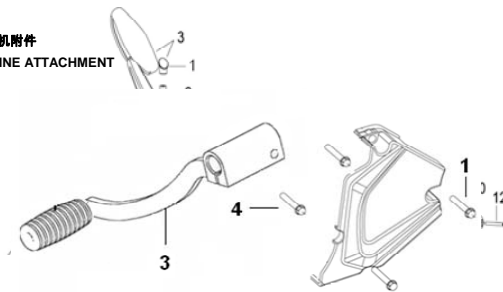
Model	NO.	Position No.	CODE	EN DESCRIPTION	Qty/U nit
TX125-TX150	1	F22-1	B04171012555	NUT M10×1.25	1
TX125-TX150	2	F22-2	B02551005585	SCREW M10×1.25×55	1
TX125-TX150	3	F22-3	53310D040000	LINK ROD,REAR ABSORBER ARM	1
TX125-TX150	4	F22-4	B04171012555	NUT M10×1.25	3
TX125-TX150	5	F22-5	B02551008585	SCREW M10×1.25×85	1
TX125-TX150	6	F22-6	53301D010000	INNER BUSH	2
TX125-TX150	7	F22-7	53303D010000	O RING	2
TX125-TX150	8	F22-8	53302D010030	BUSH	1
TX125-TX150	9	F22-9	B02551005585	SCREW M10×1.25×55	1
TX125-TX150	10	F22-10	B02551006085	SCREW M10×1.25×60	1
TX125-TX150	11	F22-11	53250D010000	COVER,DUSTPROOF	6
TX125-TX150	12	F22-12	53241D010000	ROCKER,REAR ABUSORBER	1
TX125-TX150	13	F22-13	B1210K161600	NEEDLE BEARING NK16/16	3
TX125-TX150	14	F22-14	53242D010010	BUSH,REAR ABSORBER	3
TX125-TX150	15	F22-15	B02551005085	SCREW M10×1.25×50	1
TX125-TX150	16	F22-16	63800J780000	RR ABSORBER COMP	1

F23 后液刹 REAR DISK BRAKE ASSY³



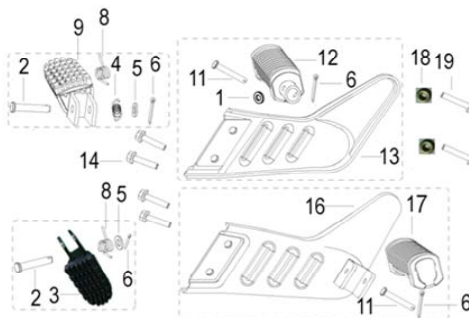
Model	NO.	Position No.	CODE	EN DESCRIPTION	Qty/U nit
TX125	1	F23-1	40710J780000	PEDAL ASSY.,RR. BRAKE	1
TX125	1A	F23-1A	40710M010001	PEDAL ASSY.,RR. BRAKE	1
TX125-TX150	1B	F23-1B	40710M010003	PEDAL ASSY.,RR. BRAKE	1
TX125	2	F23-2	58222J410000	SPRING FOOTREST FRONT	1
TX125-TX150	2	F23-2	40702G120010	SPRING FOOTREST FRONT	1
TX125-TX150	3	F23-3	B02000502025	SCREW M5*20	1
TX125-TX150	3A	F23-3A	B01090602065	BOLT M6*20	1
TX125-TX150	4	F23-4	40706M010000	WASHER 8	1
TX125-TX150	5	F23-5	B04080800055	NUT 8	1
TX125-TX150	6	F23-6	B01030602065	BOLT M6*20	2
TX125-TX150	7	F23-7	55900J41R800	REAR DISC BRAKE ASSY.	1
TX125-TX150	7	F23-7	55900J41R821	REAR DISC BRAKE ASSY.RED	1
TX125-TX150	8	F23-8	55037J410000	UNION BOLT	2
TX125-TX150	9	F23-9	55180J410000	PLATE WASHER	2
TX125-TX150	10	F23-10	B090002018A5	PIN 2*18	1
TX125-TX150	11	F23-11	55009J410000	OIL PUMP BODY	1
TX125-TX150	11A	F23-11A	55009J410010	OIL PUMP BODY	1
TX125-TX150	12	F23-12	55200J410000	BRAKE HOSE,REAR	1
TX125-TX150	13	F23-13	55072J41R800	HYDRAULIC BRAKE PUMP	1
TX125-TX150	14	F23-14	55120J410000	PADS, REAR DISC BRAKE	2
TX125-TX150	15	F23-15	B02050802065	SCREW M8*20	2
TX125 SM	16	F23-16	55410J410000	YOKE PLATE,ON ROAD	1
TX125 EN	16	F23-16	55410J410001	YOKE PLATE,OFF ROAD	1
TX125-TX150	17	F23-17	40717D010000	FIX BOLT	1
TX125 SM-	18A	F23-18A	55095J410000	BUSH I ON ROAD	1
TX125 EN	18	F23-18	55095J410001	BUSH I OFF ROAD	1
TX125-TX150	19	F23-19	B090002018A5	PIN 2*18	1
TX125-TX150	20	F23-20	B04000500055	NUT 5	2
TX125-TX150	20	F23-20	B04000600055	NUT 6	1
TX125-TX150	21	F23-21	B07000000805	WASHER,SPRING8	2
TX125-TX150	22	F23-22	B01090501265	BOLT M5*12	1
TX125-TX150	23	F23-23	55502D010000	ROD,GEAR	1
TX125-TX150	24	F23-24	40716D010000	DRAG HANDLE	1
TX125-TX150	23A	F23-23A	55502M030000	ROD,GEAR	1
TX125-TX150	24A	F23-24A	40716M030000	DRAG HANDLE	1
TX125-TX150	25	F23-25	B04000600055	NUT	1
TX125-TX150	26	F23-26	55003J000000	DUSTPROOF COVER	1
TX125-TX150	27	F23-27	55003J410000	DUSTPROOF COVER	1
TX125-TX150	28	F23-28	55300J410000	SWITCH,REAR BRAKE	1

F24 发动机附件
F24 ENGINE ATTACHMENT



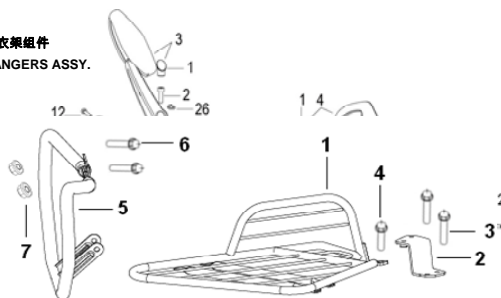
Model	NO.	Position No.	CODE	EN DESCRIPTION	Qty/U nit
TX125-TX150	1	F24-1	B01070602564	BOLT M6×25	3
TX125	3	F24-3	08370J780000	GEAR SHIFT LEVEL ASSY.	1
TX125-TX150	3	F24-3	08370J780001	GEAR SHIFT LEVEL ASSY.	1
TX125-TX150	4	F24-4	B01030602065	BOLT M6×20	1

F25 脚踏组件
F25 FOOTREST ASSY.



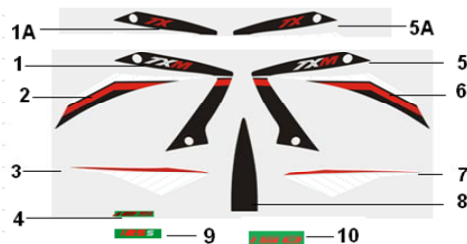
Model	NO.	Position No.	CODE	EN DESCRIPTION	Qty/U nit
TX125-TX150	1	F25-1	B07030000605	WASHER 6	2
TX125-TX150	2	F25-2	57024D010000	PIVOT	2
TX125-TX150	3	F25-3	58220J410001	FOOTREST ASSY.FRONT LH	1
TX125	4	F25-4	58222J410000	SPRING FOOTREST FRONT	1
TX125-TX150	5	F25-5	B07030000805	WASHER 8	2
TX125-TX150	6	F25-6	B090002018A5	COTTER PIN 2×18	4
TX125-TX150	8	F25-8	58202J410000	SPRING, FOOTREST FRONT LH	2
TX125	9	F25-9	58240J410000	FOOTREST ASSY.FRONT RH	1
TX125-TX150	9	F25-9	58240J410001	FOOTREST ASSY.FRONT RH	1
TX125-TX150	11	F25-11	B090406035A5	HINGE PIN Ø6×35	2
TX125-TX150	12	F25-12	58280H100000	FOOTREST ASSY REAR RH	1
TX125-TX150	13	F25-13	58310J410000	DECORATE PLATE ASSY RH	1
TX125-TX150	14	F25-14	B01090802065	BOLT M8×20	4
TX125-TX150	16	F25-16	58210J410000	DECORATE PLATE ASSY LH	1
TX150	16	F25-16	58210J410001	DECORATE PLATE ASSY LH	1
TX125-TX150	17	F25-17	58260H010000	FOOTREST ASSY REAR LH	1
TX125-TX150	18	F25-18	58209J410000	BUSH FOR FOOTBOARD	2
TX125-TX150	19	F25-19	B01090802565	BOLT M8×25	2

F25_1 掛衣架組件
F25_1 HANGERS ASSY.



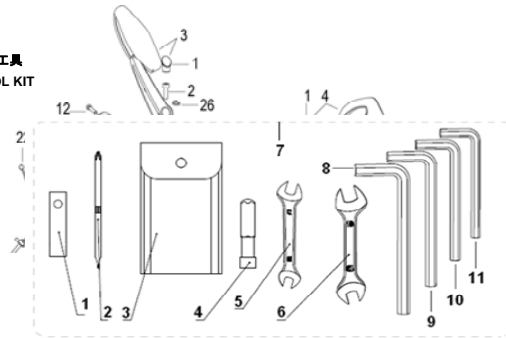
Model	NO.	Position No.	CODE	EN DESCRIPTION	Qty/U nit
TX150	1	F25_1	59500K620000	HANGERS ASSY	1
TX150	2	F25_1	59510K620000	FIXING BOARD	1
TX150	3	F25_1	B01090802565	BOLT M8×25	2
TX150	4	F25_1	B01090801665	BOLT M8×16	1
TX150	5	F25_1	59100K620000	BUMPER	1
TX150	6	F25_1	B01090802065	BOLT M6×20	2
TX150	7	F25_1	B04070800055	NUT M8	2

F26_2 STICKER



Model	NO.	Position No.	CODE	EN DESCRIPTION	Qty/U nit
TX125 SM-	1	F26_2-1	05512M01B502	STICKER I,FRONT SIDE COVER RH,TXM	1
TX125 EN	1A	F26_2-1A	05512M01B503	STICKER I,FRONT SIDE COVER RH,TX	1
TX125-TX150	2	F26_2-2	05514M01B502	STICKER II,FRONT SIDE COVER RH	1
TX125-TX150	3	F26_2-3	05516M01W102	STICKER,REAR SIDE COVER RH	1
TX125 SM-	4	F26_2-4	05573J78B500	STICKER,MODEL NUMBER 125	2
TX125 SM-	5	F26_2-5	05511M01B502	STICKER I,FRONT SIDE COVER LH,TXM	1
TX125 EN	5A	F26_2-5A	05511M01B503	STICKER I,FRONT SIDE COVER LH,TX	1
TX125-TX150	6	F26_2-6	05513M01B502	STICKER II,FRONT SIDE COVER LH	1
TX125-TX150	7	F26_2-7	05515M01W102	STICKER,REAR SIDE COVER LH	1
TX125-TX150	8	F26_2-8	05501M01B502	STICKER,FRONT FENDER	1
TX125	9	F26_2-9	05573J78B501	STICKER,MODEL NUMBER 125S	2
TX150	10	F26_2-10	05571K62WF02	STICKER,MODEL NUMBER 150	2

F27 随车工具
F27 TOOL KIT



Model	NO.	Position No.	CODE	EN DESCRIPTION	Qty/U nit
TX125	1	F27-1	02102J060000	SOCKET, SPARK PLUG	1
TX125-TX150	1	F27-1	02102J000000	SOCKET, SPARK PLUG	1
TX125-TX150	2	F27-2	02103J000000	DOUBLE-FUNCTION SCREWDRIVER	1
TX125-TX150	3	F27-3	02110J000000	BAG, TOOL KIT	1
TX125-TX150	4	F27-4	02106J000000	HANDLE	1
TX125-TX150	5	F27-5	B20011001203	DOUBLE-ENDED SPANNER 10-12	1
TX125-TX150	6	F27-6	B20011301603	DOUBLE-ENDED SPANNER 13-16	1
TX125	7	F27-7	02100J060000	TOOL KIT ASSY	1
TX125-TX150	7	F27-7	02100K670001	TOOL KIT ASSY	1
TX125-TX150	8	F27-8	B20020800003	INNER HEXAGONAL WRENCH 8	1
TX125-TX150	9	F27-9	B20020600003	INNER HEXAGONAL WRENCH 6	1
TX125-TX150	10	F27-10	B20020500003	INNER HEXAGONAL WRENCH 5	1
TX125-TX150	11	F27-11	B20020400003	INNER HEXAGONAL WRENCH 4	1