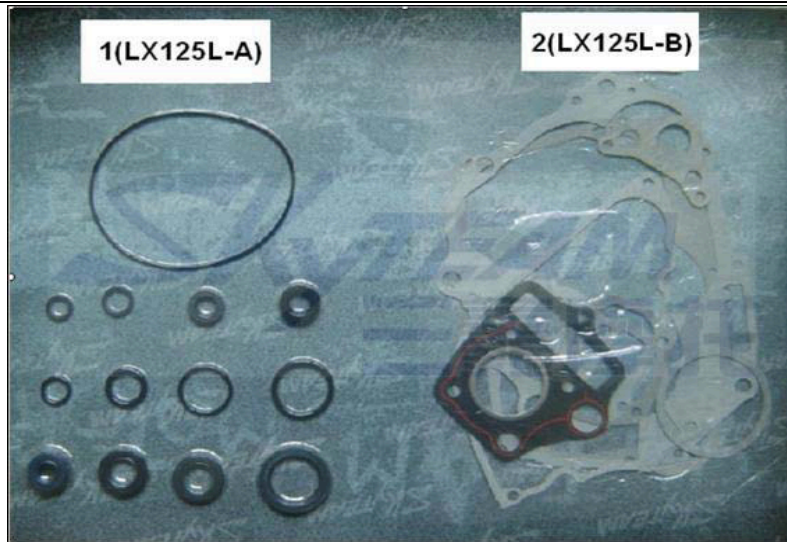


APE 125CC ENGINE PARTS

NO.	PARTS NO.	DESCRIPTION	PART NUMBER	DESCRIPTION	QTY	125cc
-----	-----------	-------------	-------------	-------------	-----	-------

E-1 Engine seals, gaskets and o-rings

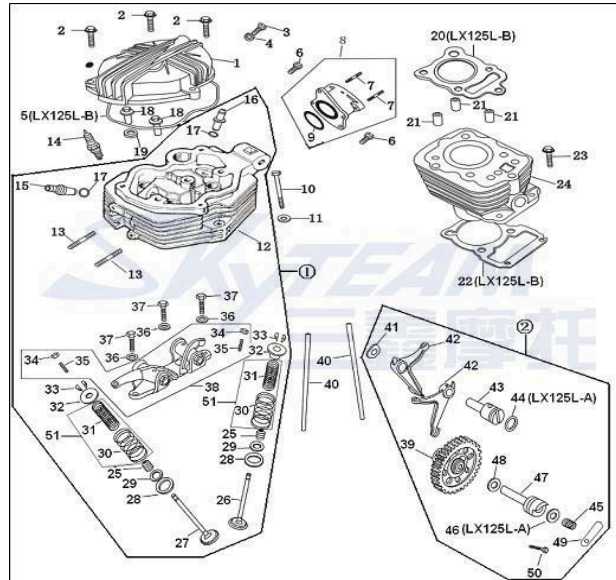


1	LX125L-A	ENGINE OIL SEAL SET 125CC	380840013-0001	O-RING	1	√				
			380840012-0001	O-RING	1					
			380840021-0001	O-RING,19*68	2					
			380840062-0001	O-RING,3*18	1					
			380650013-0001	OIL SEAL, KICK STARTER SPINDLE	1					
			380840080-0001	O-RING,3*63	1					
			380840079-0001	O-RING	1					
			380840078-0001	O-RING,24*274	1					
			380840067-0001	O-RING	1					
			380650007-0001	OIL SEAL, 14*28*7	1					
			380650002-0001	OIL SEAL	1					
			380650184-0001	OIL SEAL, GEARSHIFT DRUM	1					
			380650005-0001	OIL SEAL,COUNTERSHAFT,20*34*7	1					
			2	LX125L-B	ENGINE GASKETS SET 125CC		380840010-0001	GASKET, CYLINDER HEAD COVER	1	√
							120150001-0001	GASKET,CYLINDER HEAD	1	
120050001-0001	GASKET,CYLINDER	1								
110620018-0001	GASKET,RCRANKCASE COVER	1								
110420001-0001	GASKET,LCRANKCASE COVER	1								
110100016-0001	GASKET, CRANKCASE	1								

APE 125CC ENGINE PARTS

NO.	PARTS NO.	DESCRIPTION	PART NUMBER	DESCRIPTION	QTY	125cc
-----	-----------	-------------	-------------	-------------	-----	-------

E-2 CYLINDER HEAD/ AIR INLET EXHAUST SYSTEM/VALVE/CYLINDER BODY)

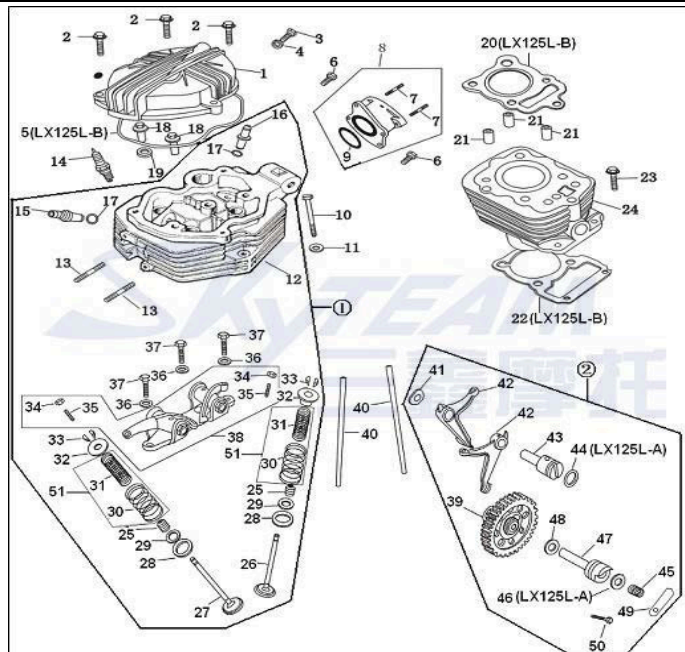


1	120230002-0024	CYLINDER HEAD	120230002-0024	COVER, CYLINDER HEAD	1	√
2	380140024-0002	HEAD	380140024-0002	BOLT, CYLINDER HEAD	3	√
3	380140026-0001	BOLT,FLANGE	380140026-0001	BOLT,FLANGE	1	√
4	380450021-0001	WASHER	380450021-0001	WASHER	1	√
5	380840010-0001	CYLINDER HEAD	380840010-0001	GASKET, CYLINDER HEAD COVER	1	SEE LX125L-B
6	380140015-0001	BOLT, FLANGE	380140015-0001	BOLT, FLANGE	2	√
8	180420003-0001	PIPE, INTAKE	380180047-0001	BOLT STUD	2	√
			180420003-0001	PIPE, INTAKE	1	√
			380840011-0001	O-RING	1	√
10	380140249-0001	BOLT	380140249-0001	BOLT	1	√
11	380450012-0001	WASHER	380450012-0001	WASHER	1	√
14	270960002-0001	PLUG, SPARK	270960002-0001	PLUG, SPARK	1	√
18	120410001-0001	HEAD	120410001-0001	NUT,CYLINDER HEAD	4	√
19	380450013-0001	WASHER	380450013-0001	WASHER	4	√
20	120150001-0001	ER HEAD	120150001-0001	GASKET,CYLINDER HEAD	1	SEE LX125L-B
21	380600004-0001	,10*20	380600004-0001	PIN,DOWEL ,10*20	2	√
22	120050001-0001	ER	120050001-0001	GASKET,CYLINDER	1	SEE LX125L-B
23	380140021-0002	6*25	380140021-0002	BOLT,FLANGE,M6*25	2	√
24	120020001-0034	COMP	120020001-0034	CYLINDER BODY COMP	1	√
25	LX125L-C	CYLINDER HEAD ASSY WITH VALVE SET	120080002-0003	CYLINDER HEAD COMP (INCL15,16&17)	1	√
			380180006-0001	BOLT, STUDdm=25d	2	√
				GUIDE, EX VALVE	1	√
				GUIDE, IN VALVE	1	√
				O-RING	2	√
			140400001-0001	SEAL,VALVE STEM	2	√
			140300001-0001	VALVE,IN	1	√
			140310001-0001	VALVE,EX	1	√
			140370001-0001	RETAINED,VALVE SPRING,OUTER	2	√
			140360001-0001	RETIANER,VALVE SPRING,INNER	2	√
			140350001-0001	SPRING,VALVE OUTER	2	√
			140340001-0001	SPRING,VALVE INNER	2	√
			140380001-0001	RETAINER,VALVE SPRING,UPPER	2	√
			140390001-0001	COTTER,VALVE	4	√
			140490001-0001	NUT,TAPPET ADJUSTING	2	√
			140480001-0001	SCREW,TAPPET ADJUSTING	2	√
			380450052-0001	WASHER	3	√
			380070122-0002	NUT,HEX	3	√
			140440001-0001	ROCKER ARM,UPPER	1	√
			140330001-0001	ARM , VALVE SPRING	1	√

APE 125CC ENGINE PARTS

NO.	PARTS NO.	DESCRIPTION	PART NUMBER	DESCRIPTION	QTY	125cc
-----	-----------	-------------	-------------	-------------	-----	-------

E-2 CYLINDER HEAD/ AIR INLET EXHAUST SYSTEM/VALVE/CYLINDER BODY)

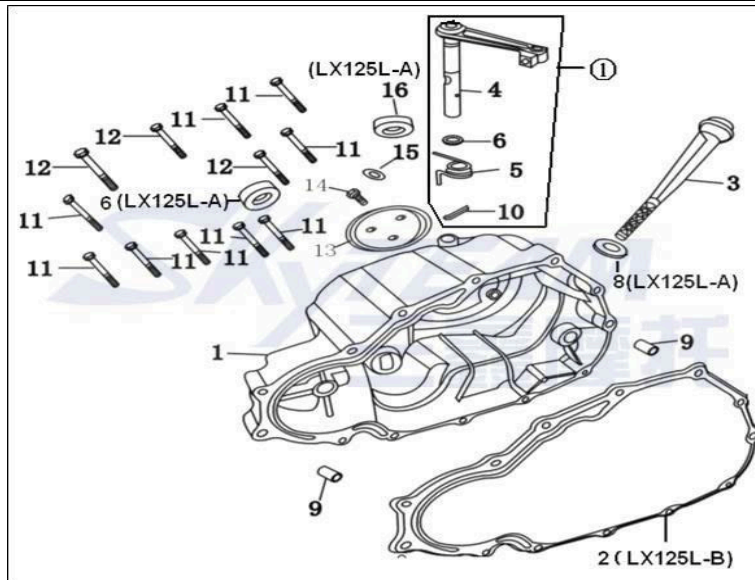


26	140670001-0001	TAPPET,COMP	140670001-0001	TAPPET,COMP	1	√
27	LX125L-D	CAMSHAFT COMP	140020001-0001	CAMSHAFT COMP	1	√
			380510001-0001	WASHER, WAVE	1	√
			140560001-0001	ROCKER ARM , LOWER	2	√
			140570001-0001	SHAFT , LOWER ROCKER	1	√
			380840013-0001	O-RING	1	SEE LX125L-A
			381150003-0002	SPRING	1	√
			380840012-0001	O-RING	1	SEE LX125L-A
			140160001-0001	CORE ASSY , CAMSHAFT	1	√
			380450018-0003	WASHER	1	√
			140170001-0001	PLATE,CAMSHAFT	1	√
			380070022-0001	NUT,HEX	1	√

APE 125CC ENGINE PARTS

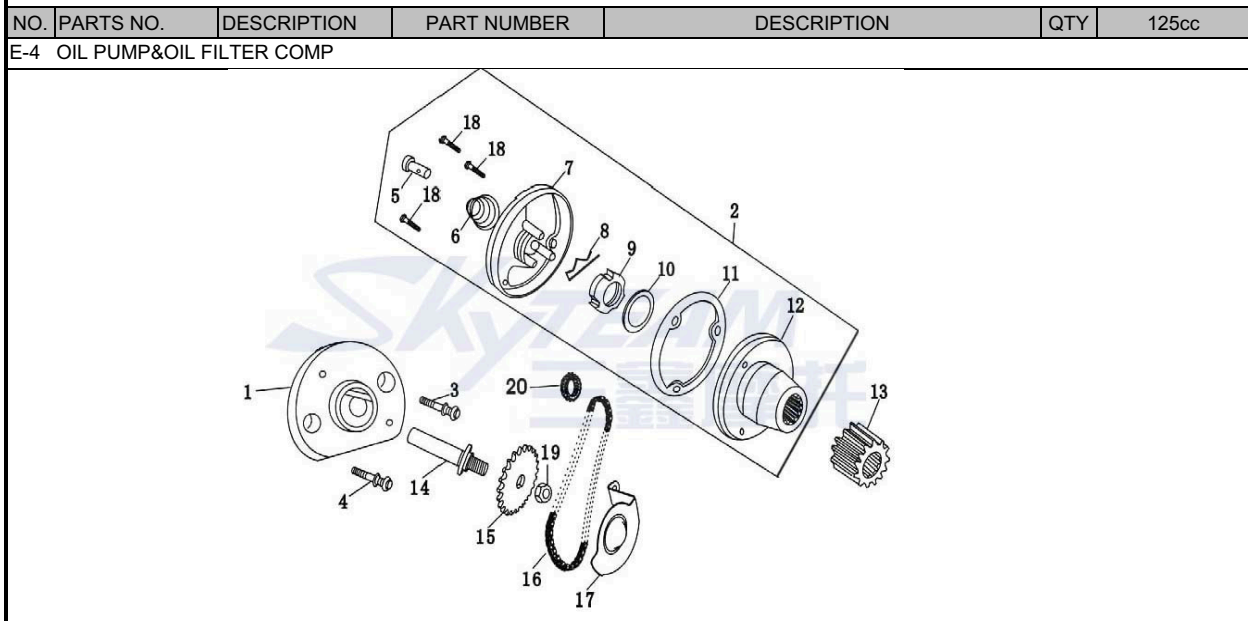
NO.	PARTS NO.	DESCRIPTION	PART NUMBER	DESCRIPTION	QTY	125cc
-----	-----------	-------------	-------------	-------------	-----	-------

E-3 COVER,RCRANKCASE



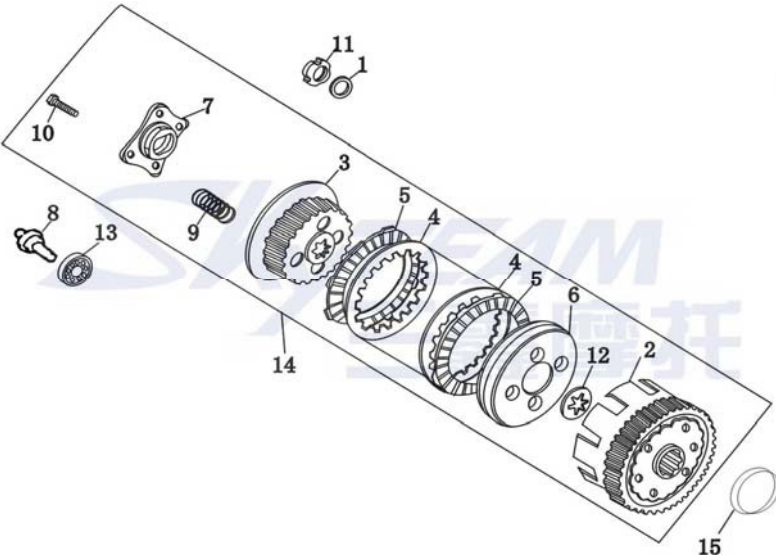
1	110600151-0011	COMP,R.CRANK	110600151-0011	COVER,RCRANKCASE	1	√
2	110620018-0001	KCASE COVER	110620018-0001	GASKET,RCRANKCASE COVER	1	SEE LX125L-B
3	110700002-0009	LEVEL	110700002-0009	GAUGE, OIL LEVEL	1	SEE LX126L-B
①	LX125L-E	LEVER ASSY,CLUTCH	190810029-0001	LEVER ASSY,CLUTCH	1	SEE LX127L-B
			381160009-0001	SPRING	1	SEE LX128L-B
			380840021-0001	O-RING,19*68	2	SEE LX125L-A
			191210001-0001	PIN,32*16	2	√
7	110630002-0001	HOLE	110630002-0001	OIL WATCHING HOLE	1	√
8	380840062-0001	O-RING,3*18	380840062-0001	O-RING,3*18	1	SEE LX125L-A
9	380600002-0001	PIN,DOWEL,8*14	380600002-0001	PIN,DOWEL,8*14	1	√
11	380140019-0003	BOLT,FLANGE	380140019-0003	BOLT,FLANGE	12	√
12	380140020-0002	BOLT,FLANGE	380140020-0002	BOLT,FLANGE	1	√
13	110720028-0072	DECORATIVE	110720028-0072	COVER,R DECORATIVE	1	√
14	380140026-0001	BOLT,FLANGE	380140026-0001	BOLT,FLANGE	3	√
15	380530001-0001	WASHER	380530001-0001	WASHER	3	√
16	380650013-0001	STARTER	380650013-0001	OIL SEAL, KICK STARTER SPINDLE	1	SEE LX125L-A

APE 125CC ENGINE PARTS



1	150010018-0001	OIL PUMP COMP	150010018-0001	OIL PUMP COMP	1	√
2	150350005-0001	OIL FILTER COMP	150350005-0001	OIL FILTER COMP	1	√
				OIL TUBE, OIL FILTER	1	\
				SPRING,OIL FILTER TUBE	1	\
			150360001-0001	COVER,OIL FILTER	1	\
				COTTER PIN	1	\
			380810003-0001	NUT,LOCK	1	\
			380810003-0001	WASHER	1	\
			150540001-0001	GASKET,OIL FILTER	1	\
			150490001-0001	SEAT,OIL FILTER	1	\
	380220002-0001	SCREW	3	\		
3	380070001-0001	BOLT	380070001-0001	BOLT	1	√
4	380220005-0001	BOLT	380220005-0001	BOLT	1	√
5	190030012-0001	PRIMARY	190030012-0001	DRIVE GEAR, PRIMARY	1	√
6	150080010-0001	TRANSMISSION	150080010-0001	SHAFT, TRANSMISSION, OIL FILTER	1	√
7	150070015-0001	PUMP DRIVEN	150070015-0001	SPROCKET,OIL PUMP DRIVEN	1	√
8	150170001-0001	PUMP	150170001-0001	CHAIN, OIL PUMP	1	√
9	150260001-0001	FILTER	150260001-0001	COVER,OIL FILTER	1	√
10	380340011-0003	NUT	380340011-0003	NUT	1	√
11	150150005-0001	DRIVE, OIL	150150005-0001	SPROCKET DRIVE, OIL PUMP	1	√

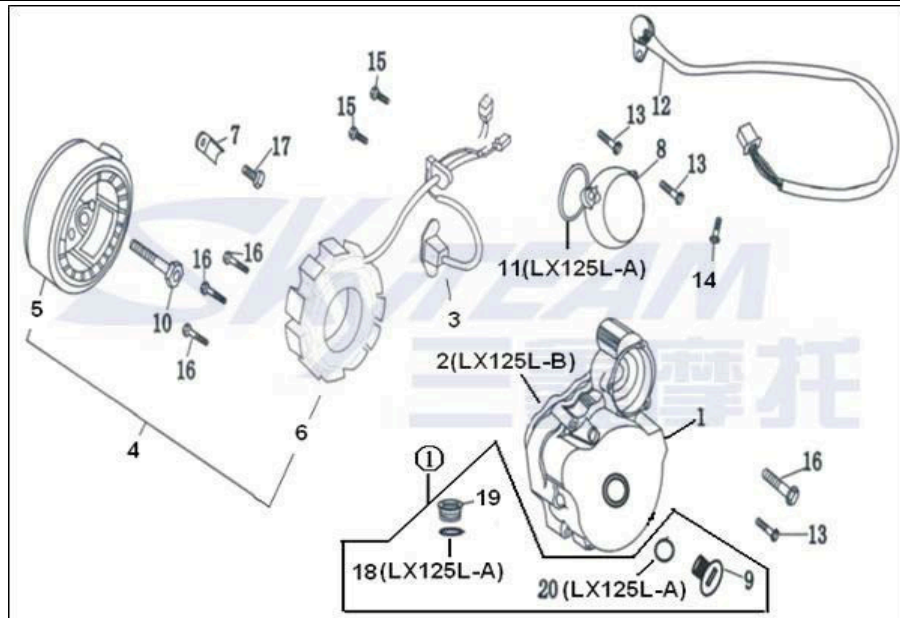
APE 125CC ENGINE PARTS

NO.	PARTS NO.	DESCRIPTION	PART NUMBER	DESCRIPTION	QTY	125cc
E-5 CLUTCH						
						
1	380480001-0001	WASHER	380480001-0001	WASHER	1	√
2	500280029-0001	CLUTCH ASSY	190330019-0001	OUTER COMP, CLUTCH	1	√
			190400013-0001	CENTER COMP, CLUTCH	1	√
			190460001-0001	DISK, CLUTCH FRICTION	4	√
			190430001-0001	PLATE, CLUTCH	5	√
			190470011-0001	PLATE, CLUTCH PRESSURE	1	√
			190480002-0001	PLATE, CLUTCH LIFTER	1	√
			190550001-0001	SPRING, CLUTCH	4	√
			380070012-0001	BOLT, HEX	4	√
			380500001-0001	WASHER, SPLINE	1	√
			3	190730007-0001	ROD	190730007-0001
4	380810003-0001	NUT, LOCK	380810003-0001	NUT, LOCK	1	√
5	380630267-0001	BALL	380630267-0001	BEARING, RADIAL BALL	1	√
6	380820498-0001	COLLAR	380820498-0001	COLLAR	1	√

APE 125CC ENGINE PARTS

NO.	PARTS NO.	DESCRIPTION	PART NUMBER	DESCRIPTION	QTY	125cc
-----	-----------	-------------	-------------	-------------	-----	-------

E-6 MAGNETO&COVER LCRANKCASE

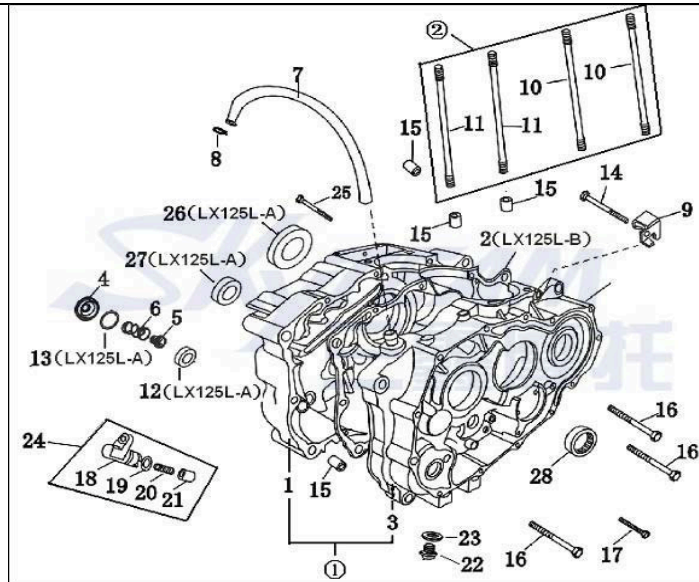


1	110400003-0392	CRANKCASE	110400003-0392	COVER, L CRANKCASE	1	√	
2	110420001-0001	GASKET,LCRANK	110420001-0001	GASKET,LCRANKCASE COVER	1	SEE LX125L-B	
3	270010007-0016	GENERATOR ASSY, FLYWHEEL		SENSOR	1		
				270010065-0001	GENERATOR ASSY, FLYWHEEL	1	√
				270020002-0001	FLYWHEEL COMP	1	√
				270100003-0004	STATOR COMP	1	√
4	110480002-0001	PLATE,CABLE	110480002-0001	CLAMP PLATE,CABLE	1	√	
5	110460001-0019	BOX	110460001-0019	COVER, GEAR BOX	1	√	
6	380140041-0001	BOLT	380140041-0001	BOLT	1	√	
7	380840080-0001	O-RING,3*63	380840080-0001	O-RING,3*63	1	SEE LX125L-A	
8	270650007-0001	INDICATOR,	270650007-0001	INDICATOR, GEAR	1	√	
9	380140015-0001	BOLT,FLANGE	380140015-0001	BOLT,FLANGE	3	√	
10	380140026-0003	BOLT	380140026-0003	BOLT	1	√	
11	380140047-0001	BOLT,FLANGE	380140047-0001	BOLT,FLANGE	2	√	
12	380140046-0001	BOLT,FLANGE	380140046-0001	BOLT,FLANGE	3	√	
13	380070009-0003	BOLT,HEX	380070009-0003	BOLT,HEX	1	√	
14	LX125L-F	CAP,GENERATOR AND COVER, LDECORATIVE	110430001-0016	COVER, LDECORATIVE	1	√	
			380840079-0001	O-RING	1	SEE LX125L-A	
			110440001-0001	CAP,GENERATOR	1	√	
			380840078-0001	O-RING,24*274	1	SEE LX125L-A	

APE 125CC ENGINE PARTS

NO.	PARTS NO.	DESCRIPTION	PART NUMBER	DESCRIPTION	QTY	125cc
-----	-----------	-------------	-------------	-------------	-----	-------

E-7 CRANKCASE ASSEMBLY

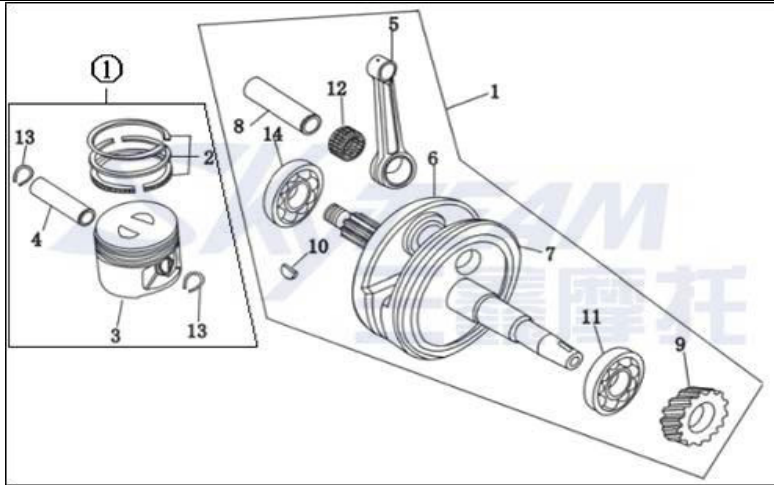


1	LX125L-G	CRANKCASE COMP L&R	110030049-0012	CRANKCASE COMP,L	1	√
			110080029-0012	CRANKCASE COMP,R	1	√
2	110100016-0001	CRANKCASE	110100016-0001	GASKET, CRANKCASE	1	SEE LX125L-B
3	120280001-0004	SCREEN	120280001-0004	CAP, OIL FILTER SCREEN	1	√
4	150290001-0001	FILTER	150290001-0001	SCREEN, OIL FILTER	1	√
5	381150014-0001	FILTER SCREEN	381150014-0001	SPRING, OIL FILTER SCREEN	1	√
6	380740003-0001	315	380740003-0001	TUBE,BREATHER 315	1	√
7	380950004-0001	CLAMP	380950004-0001	CLAMP	1	√
8	191230013-0001	PLATE,CLUTCH	191230013-0001	STOPPER PLATE,CLUTCH CABLE	1	√
9	LX125L-H		110250001-0001	BOLT, STUD B	2	√
			110240001-0001	BOLT, STUD A	2	√
10	380650007-0001	14*28*7	380650007-0001	OIL SEAL, 14*28*7	1	SEE LX125L-A
11	380840067-0001	O-RING	380840067-0001	O-RING	1	SEE LX125L-A
12	380040001-0001	BOLT	380040001-0001	BOLT	1	√
13	380600001-0001	PIN, DOWEL	380600001-0001	PIN, DOWEL	4	√
14	380140020-0002	BOLT	380140020-0002	BOLT	10	√
15	380070014-0005	BOLT,HEX,M6*25	380070014-0005	BOLT,HEX,M6*25	1	√
16	110320001-0001	PRESS PIN BODY ASSY		* PIN, PRESS	1	
				* O-RING	1	
				* SPRING	1	
				* PIN	1	
			110320001-0001	PRESS PIN BODY ASSY	1	√
17	110260003-0002	PLUG	110260003-0002	BOLT,DRAIN PLUG	1	√
18	380450018-0001	PLUG	380450018-0001	WASHER,DRAIN PLUG	1	√
19	380140012-0001	BOLT	380140012-0001	BOLT	1	√
20	380650002-0001	OIL SEAL	380650002-0001	OIL SEAL	1	SEE LX125L-A
21	380650184-0001	OIL SEAL,	380650184-0001	OIL SEAL, GEARSHIFT DRUM	1	SEE LX125L-A
22	380630007-0001	BEARING	380630007-0001	NEEDLE BEARING	1	√

APE 125CC ENGINE PARTS

NO.	PARTS NO.	DESCRIPTION	PART NUMBER	DESCRIPTION	QTY	125cc
-----	-----------	-------------	-------------	-------------	-----	-------

E-8 CRANKCASE & PISTON

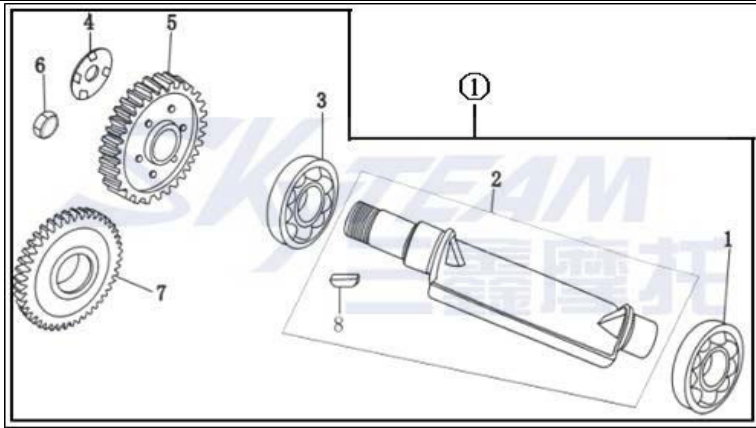


1	130140032-0001	CRANKSHAFT COMP	130140032-0001	CRANKSHAFT COMP	1	√	
				CONNECTING ROD	1		
				* CRANKSHAFT L	1		
				* CRANKSHAFT R	1		
				PIN, CRANKSHAFT	1		
				SPROCKET, TIMING, CRANKSHAFT	1		
				380620001-0001	KEY, WOODRUFF	1	√
					BEARING, RADIAL BALL	1	
2	LX125L-I	PISTON ASSY.	130070001-0001	RING SET, PISTON	1	√	
			130030001-0001	PISTON	1	√	
			130060001-0001	PIN, PISTON	1	√	
			380560001-0001	CLIP, PISTON PIN	2	√	

APE 125CC ENGINE PARTS

NO.	PARTS NO.	DESCRIPTION	PART NUMBER	DESCRIPTION	QTY	125cc
-----	-----------	-------------	-------------	-------------	-----	-------

E-9 BALANCER SHAFT

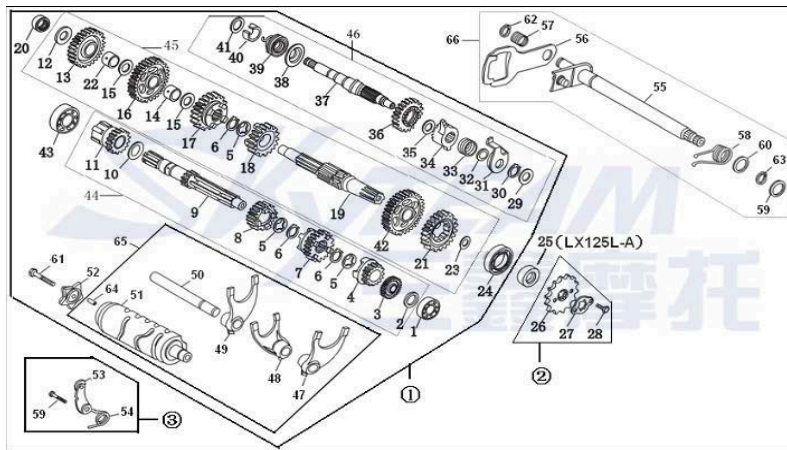


1	LX125L-J	BALANCER SHAFT ASSY.	380630002-0001	BEARING 6203	1	√
			130430004-0001	BALANCER SHAFT	1	√
				KEY,WOODRUFF	1	√
			380630005-0001	BEARING 6204	1	√
			380490010-0001	WASHER	1	√
			130480004-0001	GEAR, BALANCER SHAFT	1	√
			380810027-0001	NUT	1	√
			130460004-0001	DRIVE GEAR,BALANCER SHAFT	1	√

APE 125CC ENGINE PARTS

NO.	PARTS NO.	DESCRIPTION	PART NUMBER	DESCRIPTION	QTY	125cc
-----	-----------	-------------	-------------	-------------	-----	-------

E-10 TRANSMISSION & SPINDLE, KICK STARTER & GEAR SHIFTING

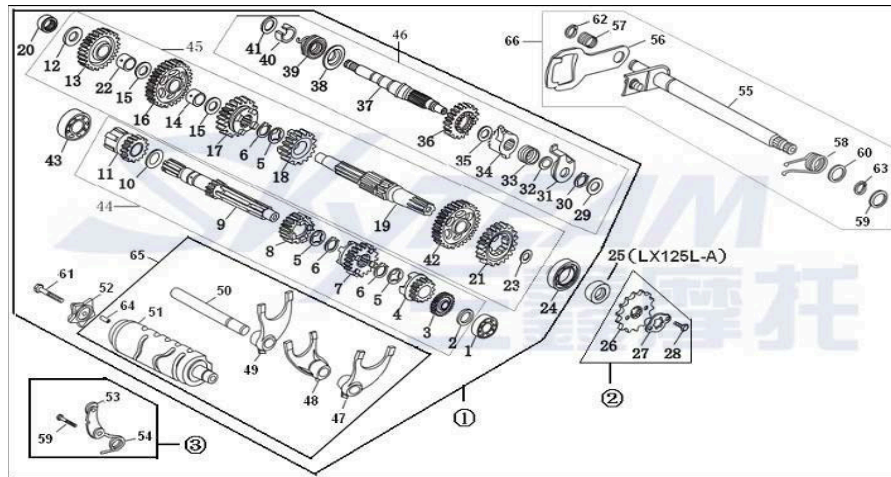


1	LX125L-K	TRANSMISSION ASSY	380630004-0001	BEARING,RADIAL BALL	1	√
			191250010-0001	MAINSHAFT,TRANSMISSION	1	√
			380540003-0002	WASHER,THRUST	1	√
			191280001-0001	GEAR,MAINSHAFT 2ND	1	√
			191330001-0001	GEAR,MAINSHAFT 5TH	1	√
			380500002-0001	WASHER,SPLINE	3	√
			380550010-0001	CIRCLIP A	4	√
			191300001-0001	GEAR, MAINSHAFT 4TH	1	√
			191290001-0001	GEAR, MAINSHAFT 3RD	1	√
			191260009-0001	MAINSHAFT	1	√
			380540004-0001	WASHER,THRUST	1	√
			191350007-0001	GEAR, KICK START DRIVEN	1	√
			380630006-0001	BEARING	1	√
				COUNTERSHAFT,TRANSMISSION	1	√
			380540005-0002	WASHER,THRUST	1	√
			191560001-0001	IDLE GEAR, STARTING	1	√
			380820023-0001	BUSH,METAL	1	√
			380540051-0001	WASHER,THRUST	2	√
			191420001-0001	GEAR,COUNTERSHAFT 1ST	1	√
			191460001-0001	GEAR,COUNTERSHAFT 3RD	1	√
			191480001-0001	GEAR,COUNTERSHAFT 4TH	1	√
			500290074-0001	COUNTERSHAFT	1	√
			191500001-0001	GEAR,COUNTERSHAFT 5TH	1	√
			191440001-0001	GEAR,COUNTERSHAFT 2ND	1	√
			380820024-0001	BUSH,METAL	1	√
			380540016-0001	WASHER,THRUST	1	√
			380630157-0001	NEEDLE BEARING	1	√
			380630005-0001	BEARING,RADIAL BALL,6204	2	√
				SPINDLE COMP., KICK STARTER	1	√
			380540012-0001	WASHER,THRUST,12*18*1	1	√
			380550031-0001	CIRCLIP A	1	√
			193400001-0001	PLATE,RATCHET GUIDE	1	√
			380540013-0001	WASHER,THRUST	1	√
			193350001-0001	SPRING,RECOIL STARTER RETURN	1	√
			193330001-0001	RATCHET,KICK STARTER	1	√
			380550043-0001	CIRCLIP, B	1	√
			193320001-0001	PINION, KICK STARTER	1	√
			193300046-0001	SPINDLE, KICK STARTER	1	√
			193470007-0001	RETAINER, KICK STARTER SPRING	1	√
			193340001-0001	SPRING, KICK STARTER	1	√
			380821108-0001	COLLAR,KICK SPRING	1	√
			380540015-0001	WASHER,THRUST	1	√
			192060003-0001	DRUM COMP., GEARSHIFT	1	√
			192120001-0001	FORK, GEARSHIFT I	1	√
			192120002-0001	FORK, GEARSHIFT II	1	√
192120003-0001	FORK, GEARSHIFT II	1	√			
192130001-0001	SHAFT, GEARSHIFT FORK	1	√			
192080017-0001	DRUM, GEARSHIFT	1	√			
380600003-0001	ROLLER	1	√			
192100001-0001	PLATE COMP,GEARSHIFT DRUM STOPPER	1	√			
380070014-0005	BOLT,HEX	1	√			

APE 125CC ENGINE PARTS

NO.	PARTS NO.	DESCRIPTION	PART NUMBER	DESCRIPTION	QTY	125cc
-----	-----------	-------------	-------------	-------------	-----	-------

E-10 TRANSMISSION & SPINDLE, KICK STARTER & GEAR SHIFTING

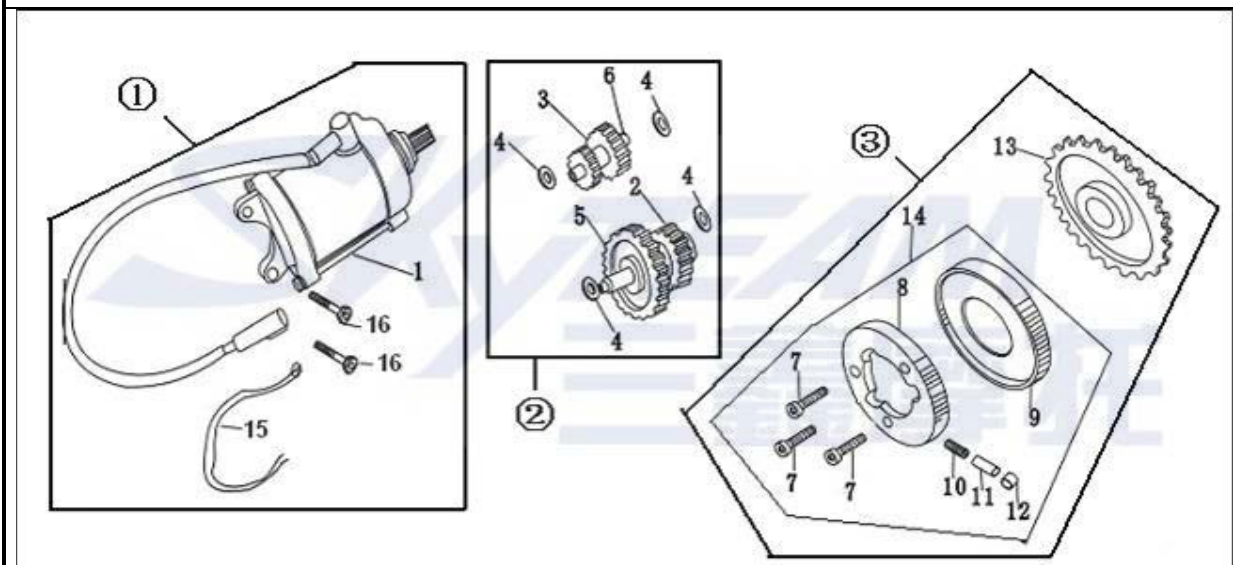


2	380650005-0001	OIL	380650005-0001	OIL SEAL,COUNTERSHAFT,20*34*7	1	SEE LX125L-A
3	LX125L-L	SPROCKET,DRIVE ASSY.	191600001-0015	SPROCKET,DRIVE	2	√
			191610001-0002	PLATE,FIXING,SPROCKET DRIVE	1	√
			380070009-0003	BOLT,HEX, M6*10	2	√
4	LX125L-M	STOPPER COMP,GEARSHIFT DRUM	192190001-0001	STOPPER COMP,GEARSHIFT DRUM	1	√
			381160003-0001	SPRING,SHIFT DRUM STOPPER	1	√
			380070015-0005	BOLT,HEX	1	√
5	192320001-0003	PEDAL COMP., GEARSHIFT	192320001-0003	PEDAL COMP., GEARSHIFT	1	√
			192330001-0001	SPINDLE COMP, GEARSHIFT	1	√
			192370001-0001	PLATE,GEARSHIFT	1	√
			381150006-0001	SPRING,GEARSHIFT	1	√
			381160004-0001	SPRING,GEARSHIFT RETURN	1	√
			380540008-0001	WASHER,THRUST	2	√
			380550007-0001	CIRCLIP A	1	√
			380550008-0001	CIRCLIP A	1	√

APE 125CC ENGINE PARTS

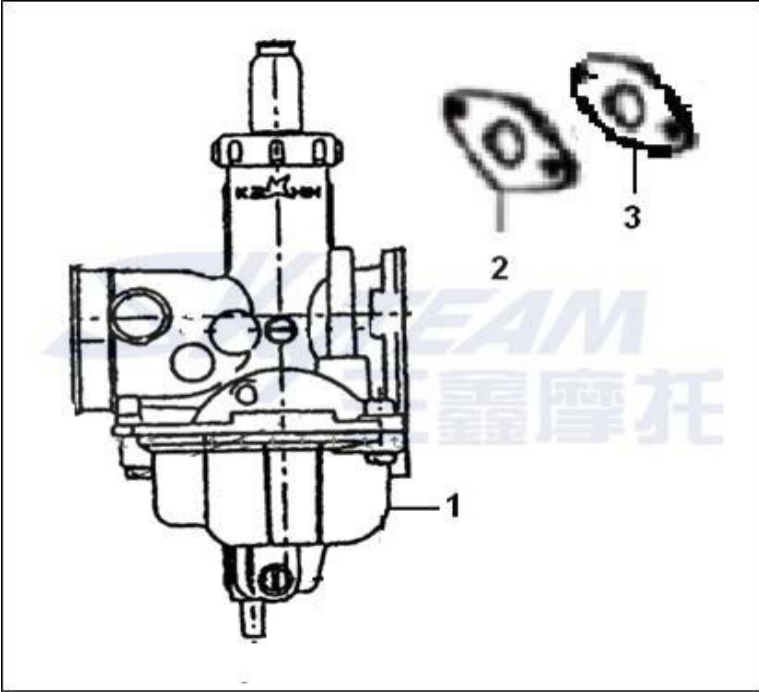
NO.	PARTS NO.	DESCRIPTION	PART NUMBER	DESCRIPTION	QTY	125cc
-----	-----------	-------------	-------------	-------------	-----	-------

E-11 STARTING MOTOR



1	LX125L-N	MOTOR, STARTER	270350001-0050	MOTOR, STARTER	1	√
			270390001-0001	WIRE,NEGATIVE	1	√
			380140024-0002	BOLT, FLANGE	2	√
2	LX125L-O	GEAR,STARTING IDLE, BIG&SMALL	193190001-0001	GEAR,STARTING IDLE,BIG	1	√
			193200001-0001	GEAR,STARTING IDLE,SMALL	1	√
			380540026-0001	WASHER,THRUST	4	√
			193220001-0001	SHAFT,STARTING IDLE GEAR	1	√
			193230002-0001	SHAFT,STARTING IDLE,SMALL	1	√
3	LX125L-P	STARTING CLUTCH ASSY.		SCREW	3	
				BODY,STARTING CLUTCH	1	
				SIDE COVER,STARTING CLUTCH	1	
			381150008-0001	ROLLER SPRING	3	
			193160001-0001	SLEEVE,SPRING	3	
			193140001-0001	ROLLER	3	
			193240001-0001	SPROCKET	1	√
			193090001-0001	BODY,STARTING CLUTCH COMP	1	√

APE 125CC ENGINE PARTS

NO.	PARTS NO.	DESCRIPTION	PART NUMBER	DESCRIPTION	QTY	125cc
E-12 CARBURETOR COMP						
						
1	16100-21H00	CARBURETOR	16100-21H00	CARBURETOR COMP	1	√
2	11012-21H00	WASHER	11012-21H00	WASHER	1	√
3	11014-21H00	CARBURETOR	11014-21H00	CARBURETOR WASHER	1	√

REMARK: THE PARTS IN RED ARE THE ONES WE CANNOT SUPPLY SEPARATELY