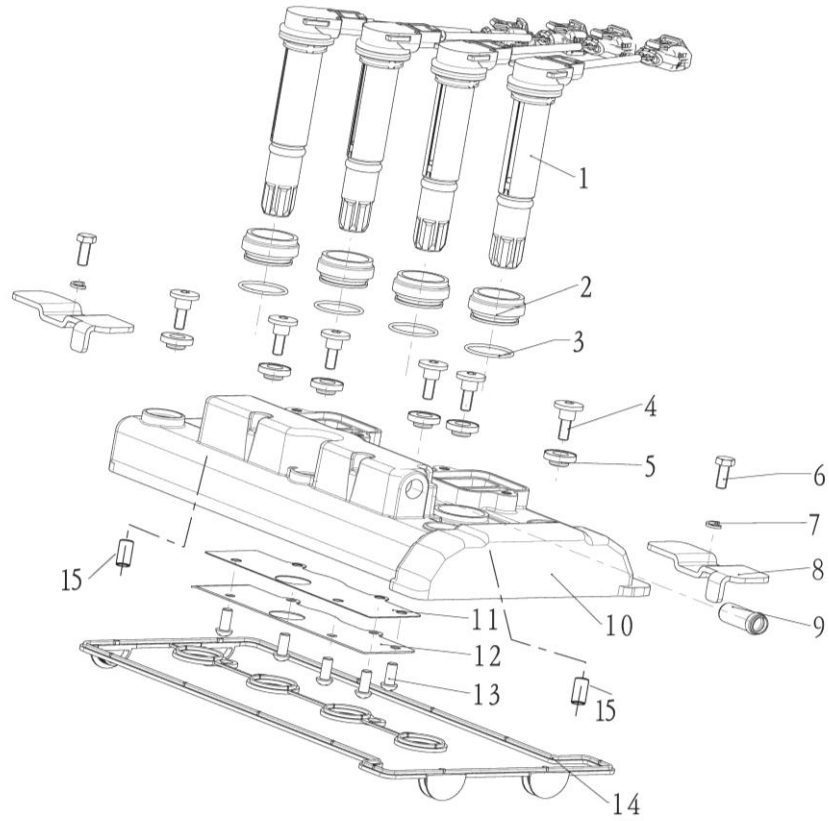
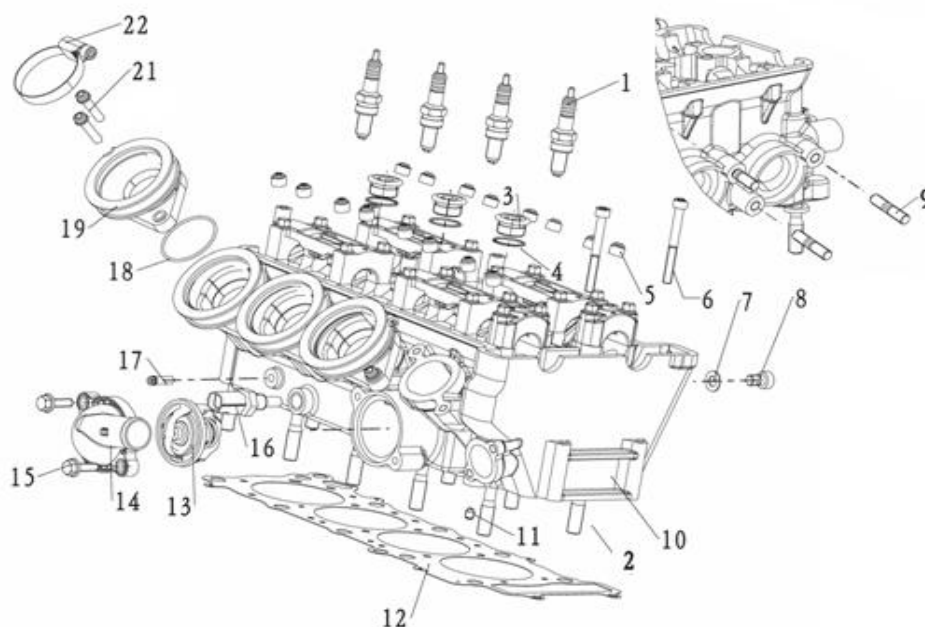


# E01 CYLINDER HEAD COVER ASSY(气缸盖罩分总成)



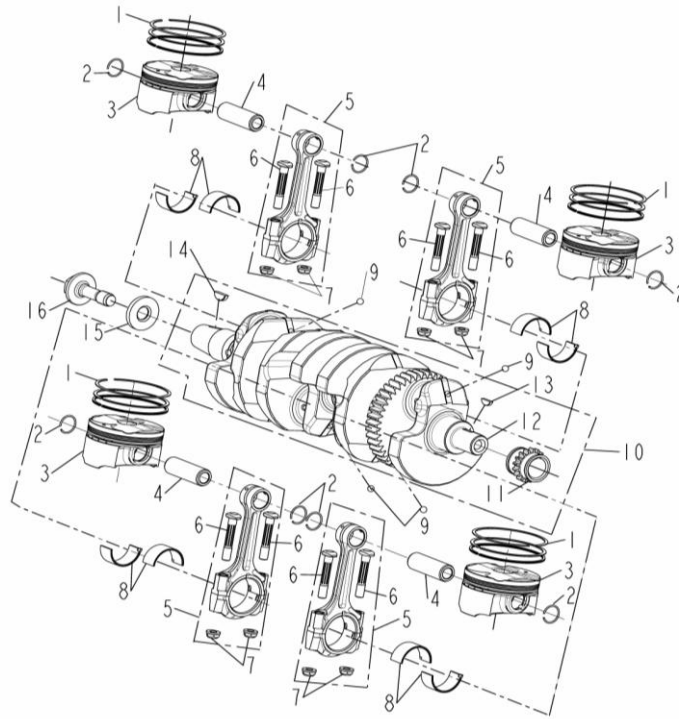
NO.	Position No.	CODE	CN DESCRIPTION	EN DESCRIPTION	Qty/Unit
1	E01	96200P300000	高压包	IGNITION COIL WITH WIRE	4
2	E01	100286030000	高压包套	HIGH-PRESSURE BUNDLE SLEEVE	4
3	E01	B190102650B0	O型圈	O-RING	4
4	E01	110026030000	定位螺钉	SCREW PIN	6
5	E01	100066030000	密封圈分组件	RING ASSY	6
6	E01	B01010601625	螺栓M6X16	BOLT M6X16	2
7	E01	B07000000604	弹簧垫圈	ELASTIC WASHER	2
8	E01	100276030000	高压包定位夹	COIL POSITIONING CLIP	2
9	E01	100296030000	管接头	PLUG	1
10	E01	109016030010	气缸盖罩(钱江灰)	CYLINDER HEAD COVER, GREY	1
11	E01	110056030000	盖板垫片	GASKET, COVER PLATE	1
12	E01	110046030000	盖板	COVER PLATE	1
13	E01	B02000601423	螺钉M6X14	SCREW M6X14	5
14	E01	100046030000	缸盖罩密封垫分组件	GASKET, HEAD COVER, MODULE	1
15	E01	100136030000	定位销	PIN DOWEL	2

## E02 CYLINDER HEAD(气缸盖分总成)



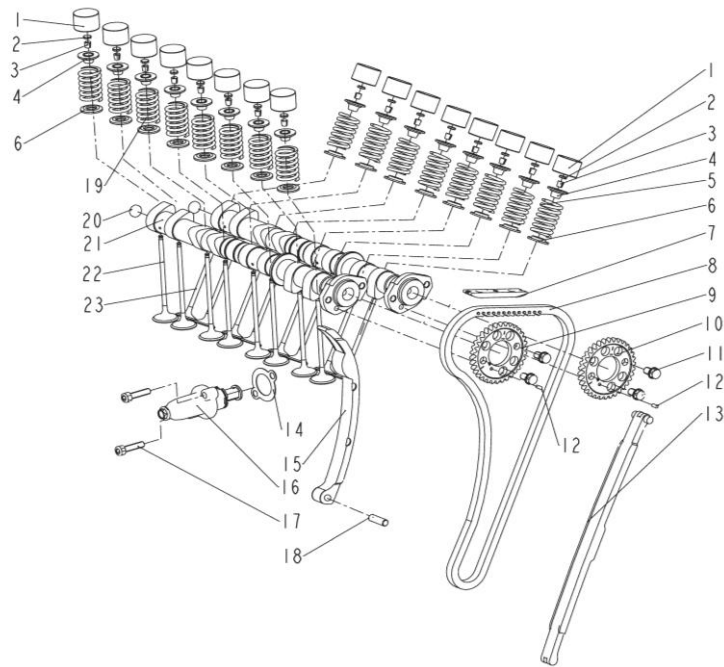
NO.	Position No.	CODE	CN DESCRIPTION	EN DESCRIPTION	Qty/Unit
1	E02	299076030010	火花塞	SPARK PLUG	4
2	E02	100236030000	缸头螺栓组件	COMBINATION BOLT	10
3	E02	150136030000	螺堵M20	WATER JACKET LOCATING SCREW	3
4	E02	100126030000	水套定位螺栓垫片M16	WASHER M16	3
5	E02	120126030000	气门油封	OIL SEAL ASSY	16
6	E02	B02050606085	螺钉M6X60	SCREW M6X60	2
7	E02	120133090002	垫片	GASKET	1
8	E02	160106030000	螺栓M6X12	BOLT M6X12	1
9	E02	12003505001X	螺柱	BOLT	8
10	E02	109056030030	气缸头机械加工组件(钱江灰无B	CYLINDER HEAD ASSY,GREY,without	1
11	E02	120166030000	控油螺钉	BOLT	1
12	E02	100196030000	气缸盖垫片组件	GASKET,cylinder head	1
13	E02	100186030000	水温控制器	WATER TEMPERATURE REGULATOR	1
14	E02	100306030000	恒温器盖	A THERMOSTAT COVER	1
15	E02	160106030020	螺栓M6X25	BOLT M6X25	2
16	E02	100096030000	水温传感器	WATER TEMPERATURE REGULATOR	1
17	E02	100106030000	水管	WATER PIPE	1
18	E02	160056090000	O型圈	O-RING	4
19	E02	280146030000	进气管组件	AIR DUCT	4
21	E02	B02050602065	螺钉M6X20	SCREW M6X20	8
22	E02	280426030000	卡箍组件	CLIP ASSY.	4

## E03 PISTON,CONNECTING ROD & CRANKSHAFT ASSY(活塞连杆曲轴分总成)



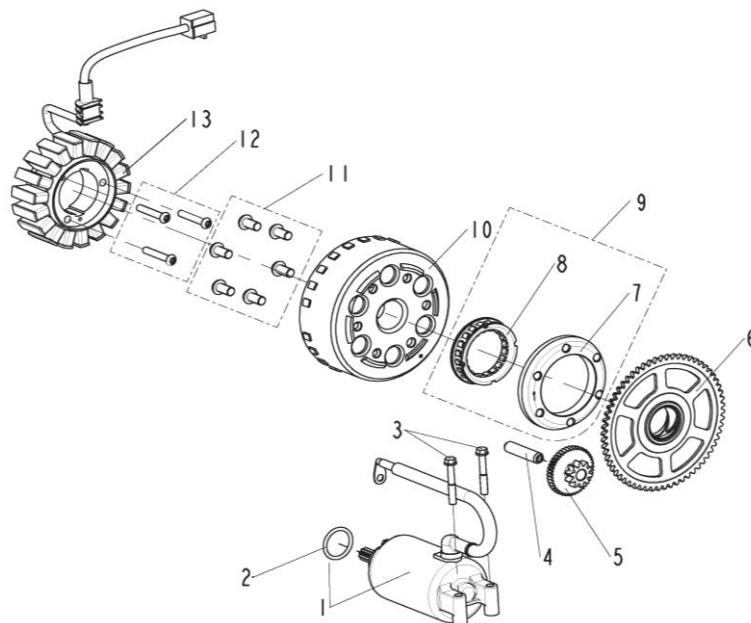
NO.	Position No.	CODE	CN DESCRIPTION	EN DESCRIPTION	Qty/Unit
1	E03	170146030000	活塞环组件	PISTON RING COMPONENT	4
2	E03	179155140000	活塞销挡圈	CIRCLIP	8
3	E03	179136030010	活塞	PISTON	4
4	E03	179146030000	活塞销	PIN,PISTON	4
5	E03	179036030000	连杆组件	PISTON COMPONENT	4
6	E03	170016030000	螺钉M7	SCREW M7	8
7	E03	170026030000	螺母M7	NUT M7	8
8	E03	170116030000	连杆轴瓦	BEARING	8
9	E03	B06010160000	钢球5.5	STEELING BALL 5.5	4
10	E03	179016030000	曲轴组件	CRANKSHAFT COMPONENT	1
11	E03	170203030000	链轮	CHAIN	1
12	E03	179106030000	曲轴	CRANKSHAFT	1
13	E03	B11810305013	半圆键3X5X13	HAIF-ROUND KEY 3X5X13	1
14	E03	B11810400016	半圆键4X6.5X16	HAIF-ROUND KEY 4X6.5X16	1
15	E03	170106030000	飞轮垫圈	FLY WHEEL GASKET	1
16	E03	170066030000	飞轮紧定螺栓	FLY WHEEL LOCK NUT	1

## E04 CAMSHAFT&CHAIN TENSIONER ASSY(凸轮轴链条张紧器分总成)



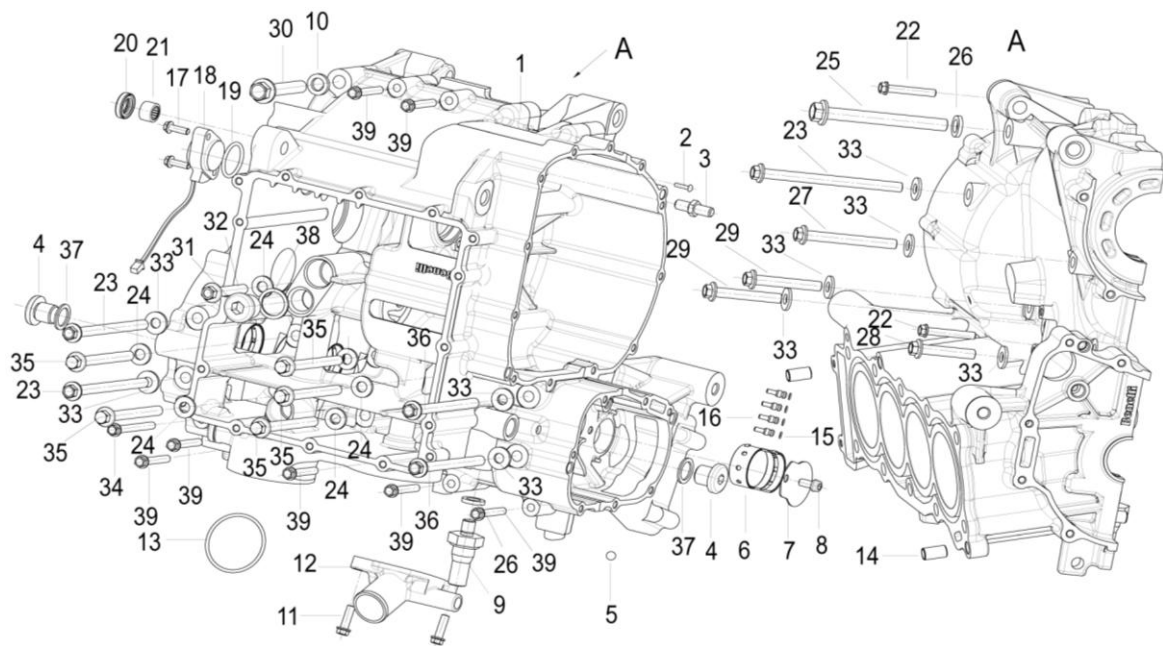
NO.	Position No.	CODE	CN DESCRIPTION	EN DESCRIPTION	Qty/Unit
1	E04	120106030000	顶柱	SCREW,ADJUSTING	16
2	E04	120096030000	气门调节垫片	VALVE ADJUSTING WASHER	16
3	E04	120086030000	气门锁块	PUNCH HEEL VALVE	32
4	E04	120036030000	气门弹簧上座	UPPER ROCHER SHAFT	16
5	E04	120076030000	排气弹簧	SPRING	8
6	E04	120046030000	气门弹簧下座	UNDER ROCHER SHAFT	16
7	E04	140186030000	上挡链板分组件	CHAIN PLATE COMPONENTS	1
8	E04	140016030000	链条	CHAIN	1
9	E04	129036030001	进气凸轮轴链轮	INTAKE CHAIN WHEEL	1
10	E04	129036030000	凸轮轴链轮	EXHAUST CHAIN WHEEL	1
11	E04	120156030000	螺栓M7	BOLT M7	4
12	E04	B090103006A4	销轴3x6	PIN 3x6	2
13	E04	140256030000	主导链板	GUIDE-PLATE	1
14	E04	140176030000	垫片	BACKUP PLATE	1
15	E04	140216030000	挡链板分组件 (一)	GUIDE 1, STARTING CHAIN	1
16	E04	140036030000	分气链条调整器	TENSIONER	1
17	E04	160106030020	螺栓M6X25	BOLT M6X25	2
18	E04	140026030000	张紧轴	SAHFT	1
19	E04	120066030000	进气门弹簧	SPRING,INLET VALVE	8
20	E04	120136090000	密封盖D13	SEALING COVER D13	2
21	E04	129076030020	凸轮轴组件	CAMSHAFT ASSY	2
22	E04	129186030000	进气门	INLET VALVE	8
23	E04	129196030000	排气门	VALVE,EX	8

## E05 ELECTRIC STARTER ASSY(电启动分总成)



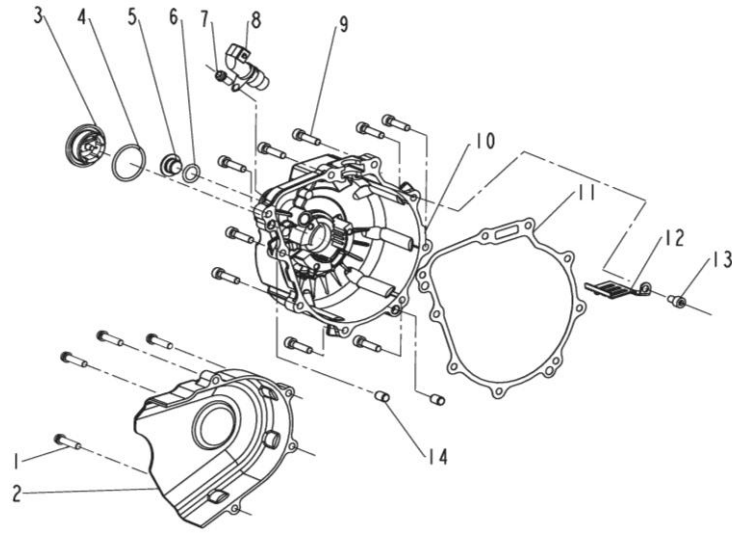
NO.	Position No.	CODE	CN DESCRIPTION	EN DESCRIPTION	Qty/Unit
1	E05	249016030000	启动电机组件	MOTOR ASSY,STARTING	1
2	E05	240013060000	O形密封圈24x3.1	O RING 24x 3.1	1
3	E05	150316030010	螺栓M6x40	BOLT M6x40	2
4	E05	249056030000	启动惰轮轴	SHAFT, STARTER IDLER GEAR	1
5	E05	249046030000	电启动惰轮	GEAR,STARTER IDLER	1
6	E05	249076030000	启动大齿轮组件	BIG GEAR COMP,starting	1
7	E05	B02050603263	螺钉M6x32	SCREW M6x32	3
8	E05	299036030000	定子组件	COIL ASSY	1
9	E05	240026030000	密排式离合器组件	CLUTCH COMP	1
10	E05	299026030000	飞轮组合	FLY WHEEL ASSY	1
11	E05	B02070801683	螺钉M8x16	SCREW M8x16	6

## E06 CRANKCASE SUB-ASSY(曲轴箱分总成)



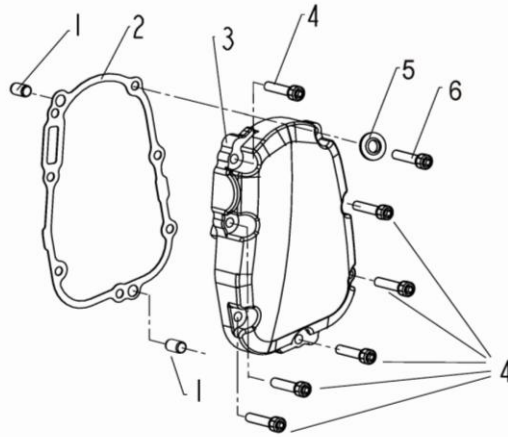
NO.	Position No.	CODE	CN DESCRIPTION	EN DESCRIPTION	Qty/Unit
1	E06	150146030010	曲轴箱机加工组件(钱江灰)	UPPER CRANKCASE/LOWER	1
2	E06	150126030000	铆钉3X13	RIVET 3X13	1
3	E06	150116030000	变档臂定位轴	ARM ASSY POSITIONING SHAFT	1
4	E06	150086030000	螺堵	SCREW STOPPER	3
5	E06	B06010240000	钢球	BALL	1
6	E06	150026030000	主轴瓦	BEARING LINNER	10
7	E06	150096030000	盖板	COVER	1
8	E06	B02050601264	螺钉M6X12	SCREW M6X12	1
9	E06	240026090000	最小机油压力开关	MINIMUM OIL PRESSURE SWITCH	1
10	E06	240056090000	垫片11X18X3	WASHER 11X18X3	1
11	E06	270156030000	螺栓M6X20	BOLT M6X20	2
12	E06	150016030000	进水盖	WATER INLET COVER	1
13	E06	150066030000	密封圈46X2.4	SEAL RING 46X2.4	1
14	E06	150016090000	定位销	LOCSTING PIN	2
15	E06	150036030000	O型圈3.8X1	O-RING 3.8X1	4
16	E06	150046030000	喷嘴	NOZZLE	4
17	E06	150316030000	内六角螺钉M5X16	SCREW M5X16	2
18	E06	150196030000	档位传感器	STALL THE SENSOR	1
19	E06	B190102580B0	O型圈	O-RING	1
20	E06	150025040000	油封 I	OIL SEAL I	1
21	E06	B1212K121002	滚针轴承12X16X10	NEEDLE BEARING 12X16X10	1
22	E06	150316030010	螺栓M6X40	BOLT M6X40	2
23	E06	150316030070	螺栓M8X115	BOLT M8X115	3
24	E06	150156030000	垫圈8	WASHER 8	12
25	E06	150316030090	螺栓M10X100	BOLT M10X100	1
26	E06	240056090000	垫片11X18X3	WASHER 11X18X3	2
27	E06	150316030050	螺栓M8X75	BOLT M8X75	1
28	E06	150316030030	螺栓M8X45	BOLT M8X45	1
29	E06	150316030040	螺栓M8X55	BOLT M8X55	2
30	E06	150316030080	螺栓M10X60	BOLT M10X60	1
31	E06	150136030000	螺堵M20	SCREW STOPPER M20	1
32	E06	B01070805084	螺栓M8X50	BOLT M8X50	1
33	E06	150135050010	垫圈	WASHER	4
34	E06	150316030020	螺栓M6X60	BOLT M6X60	1
35	E06	B01070808584	螺栓M8X85	BOLT M8X85	6
36	E06	150316030060	螺栓M8X100	BOLT M8X100	2
37	E06	150176090000	垫片 16x22x1.5	WASHER 16x22x1.5	3
38	E06	150126080000	平垫圈20.2x26x1.5	WASHER 20.2x26x1.5	1
39	E06	150316030100	螺栓M6X45	BOLT M6X45	7

## E07 LEFT COVER ASSY (左盖分总成)



NO.	Position No.	CODE	CN DESCRIPTION	EN DESCRIPTION	Qty/Unit
1	E07	160106030020	螺栓M6x25	BOLT M6x25	4
2	E07	169046030000	左后盖组件(钱江灰)	LEFT BACK COVER,GREY	1
3	E07	169166030000	观察孔盖	PLUG,COVER MAGNETO	1
4	E07	160076030000	O型圈32x2.5	O RING 32x2.5	1
5	E07	160044230000	观察孔螺塞	PLUG SEE	1
6	E07	B190101330B0	O型圈13.3x2.65	O RING 13.3x2.65	1
7	E07	160106030000	螺钉M6x12	SCREW M6x12	1
8	E07	280586090000	相位传感器	PHASE SENSOR	1
9	E07	160106030020	螺栓M6x25	BOLT M6x25	9
10	E07	169026030010	左盖(钱江灰)	LEFT COVER,GREY	1
11	E07	160036030000	垫片	GASKET LEFT COVER	1
12	E07	160046030000	压线夹	CLAMP PRESSURE	1
13	E07	B02050601063	内六角螺钉M6x10	SCREW M6x10	1
14	E07	160056030000	定位销	DOWEL PIN	2

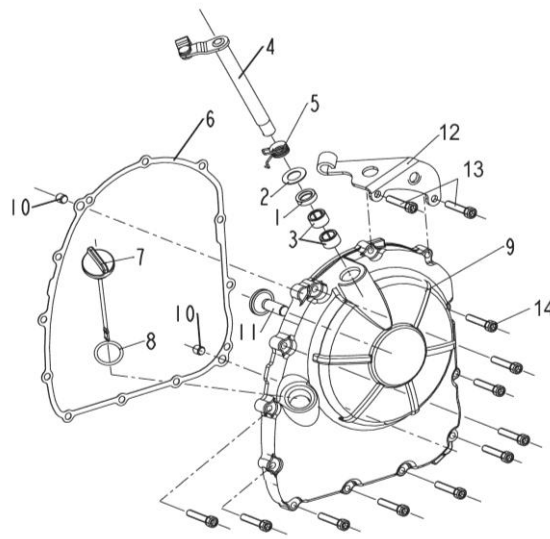
## E08 RIGHT COVER ASSY (右盖分总成)



NO.	Position No.	CODE	CN DESCRIPTION	EN DESCRIPTION	Qty/Unit
1	E08	160056030000	定位销6.6 X 8 X 11.5	DOWEL PIN 6.6 X 8 X 11.5	2
2	E08	169116030000	右盖垫片	RIGHT COVER GASKET	1
3	E08	169106030050	右盖(钱江灰POWERED BY	RIGHT COVER,GREY,mark:POWERED	1
4	E08	160106030010	螺栓M6X22	BOLT M6X22	6
5	E08	120133090002	垫片	WASHER	1
6	E08	160106030020	螺栓M6X25	BOLT M6X25	1

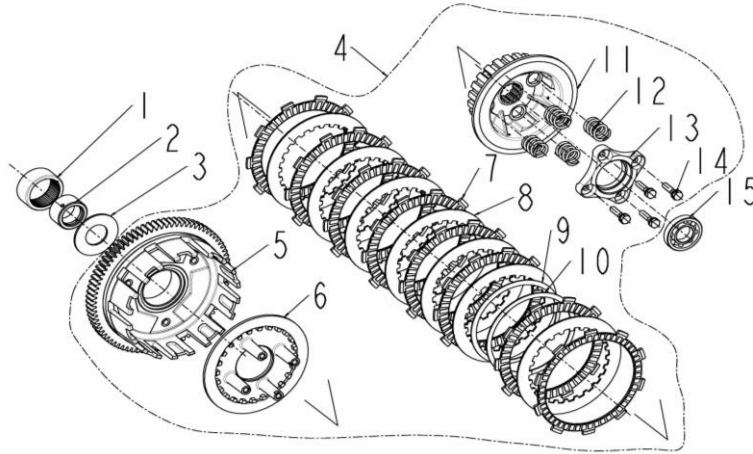


# E09 CLUTCH COV



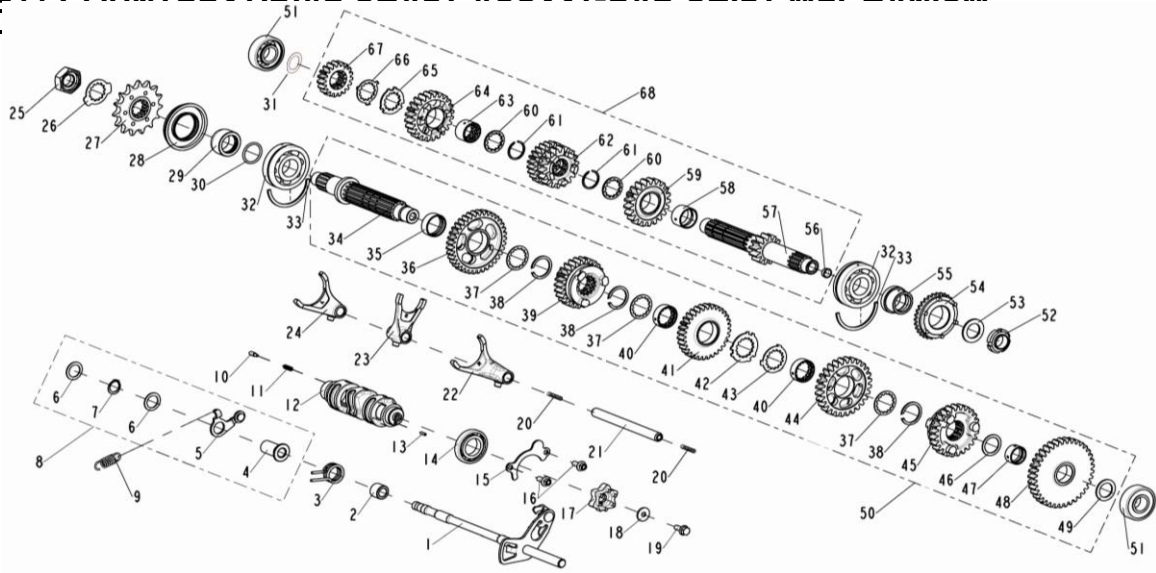
NO.	Position No.	CODE	CN DESCRIPTION	EN DESCRIPTION	Qty/Unit
1	E09	200001050000	分离杆油封	OIL SEAL	1
2	E09	200056030000	垫圈12X22X0.8	WASHER 12X22X0.8	1
3	E09	B1212K121002	滚针轴承12X16X10	NEEDLE BEARING 12X16X10	2
4	E09	200096030000	操纵杆铆接组件	OPERATING LEVER WELD ASSY	1
5	E09	200046030000	离合器分离杆弹簧	SPRING	1
6	E09	200076030000	离合器盖垫片	CLUTCH COVER GASKET	1
7	E09	200166030000	量标尺组件	GAUGE,OIL LEVER	1
8	E09	160063070000	O型圈18X3.5	O RING 18X3.5	1
9	E09	200016030010	离合器盖	CLUTCH COVER	1
10	E09	160056030000	定位销Φ8X11.5	PIN DOWEL 8X11.5	2
11	E09	200066030000	推杆头	HANDSPIKE	1
12	E09	200036030000	拉板	PLATE STRETCH	1
13	E09	160106030030	螺栓M6X30	BOLT M6X30	2
14	E09	160106030020	螺栓M6X25	BOLT M6X25	10

## E10 CLUTCH SYSTEM(离合器分总成)



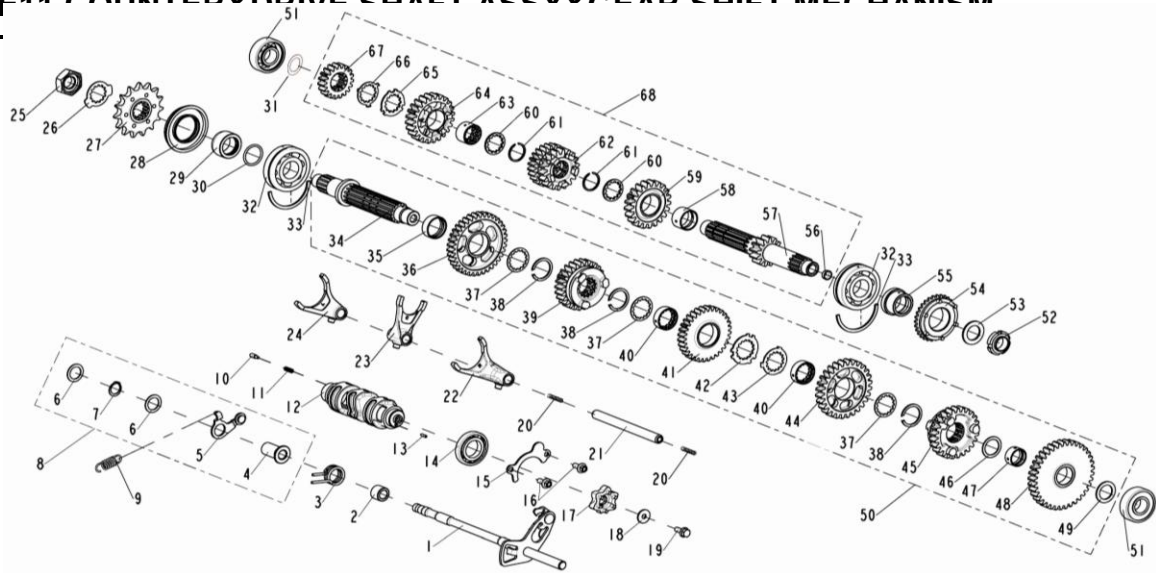
NO.	Position No.	CODE	CN DESCRIPTION	EN DESCRIPTION	Qty/Unit
1	E10	B1210H352000	滚针轴承	NEEDLE BEARING	1
2	E10	200176030001	轴套	AXIS GUIDE	1
3	E10	200446030000	垫圈26x52x2	WASHER 26X52X2	1
4	E10	209106030000	离合器组件	CLUTCH ASSEMBLY	1
5	E10	200276030001	离合器主动毂组件	CLUTCH INITIAIVE HUB ASSEMBLY	1
6	E10	200206030001	离合器从动毂	CLUTCH DRIVEN HUB	1
7	E10	200376030000	摩擦片(II)	FRICTIONAL GASKET(II)	8
8	E10	200216030000	离合器片	CLUTCH GASKET	7
9	E10	200226030001	碟形弹簧	DISHING SPRING	1
10	E10	200236030001	垫圈	GASKET	1
11	E10	200306030001	从动毂座组件	CLUTCH DRIVEN HUB ASSEMBLY	1
12	E10	200246030001	离合器弹簧	CLUTCH SPRING	4
13	E10	200256030001	压板	BINDER PLATE	1
14	E10	B1331060250N	螺栓组合件M6x25	MIX BOLT M6x25	4
15	E10	B12016600401	滚动轴承	ROLL BEARING	1

# E11 COUNTER DRIVE SHAFT ASSY & GEAR SHIFT MECHANISM



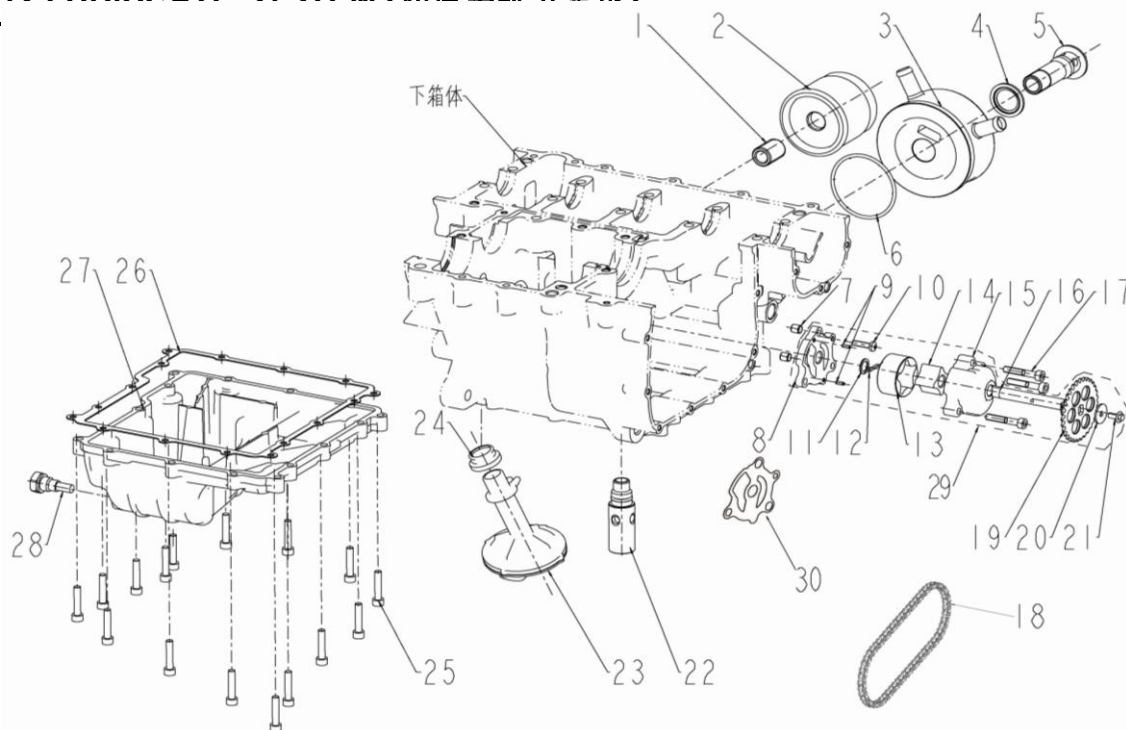
NO.	Position No.	CODE	CN DESCRIPTION	EN DESCRIPTION	Qty/Unit
1	E11	210456030000	变档臂组件	SHAFT ASSY,GEAR SHIFT	1
2	E11	210046030000	变档臂轴套	AXLE SET,GEAR SHIFT	1
3	E11	210056030000	变档臂弹簧	SPRING,GEAR SHIFT	1
4	E11	210396030000	止动臂轴套	AXLE SET	1
5	E11	210416030000	摇臂组件	ROCKER ASSY	1
6	E11	210406030000	垫圈	WASHER	2
7	E11	B08010001701	轴用弹性挡圈17	CIRCLIP 17	1
8	E11	210386030000	止动臂组件	STOPPER,GEAR SHIFT	1
9	E11	210026030000	止动臂弹簧	SPRING	1
10	E11	210323090000	变档转换触头	ANTENNA	1
11	E11	210313090000	触头弹簧	SPRING	1
12	E11	219056030000	变档鼓	CAM,GEAR SHIFT	1
13	E11	210356030000	定位销	PIN,DOWEL	1
14	E11	B12016600501	轴承16005	BEARING 16005	1
15	E11	210036030000	压板	PLATE	1
16	E11	B01090601464	螺栓M6×14	BOLT M6×14	2
17	E11	210366030000	荆轮	PLATE,GEAR SHIFT CAM	1
18	E11	210376030000	垫片	WASHER	1
19	E11	B01070601563	螺栓M6×15	BOLT M6×15	1
20	E11	210016030000	拨叉轴弹簧	SPRING,SHAFT,SHIFT FORK	2
21	E11	219086030000	拨叉轴	SHAFT,SHIFT FORK	1
22	E11	219126030000	右拨叉	FORK,GEAR SHIFT RH	1
23	E11	219116030000	中拨叉	FORK,GEAR SHIFT CENTER	1
24	E11	219106030000	左拨叉	FORK,GEAR SHIFT LH	1
25	E11	210196030000	螺母M18×1.0	NUT M18×1.0	1
26	E11	210306030000	内花键锁止垫圈	WASHER	1
27	E11	219296030000	输出链轮	SPROCKET	1
28	E11	210216030000	油封	OIL SEAL	1
29	E11	210206030000	轴套25	AXLE SET 25	1
30	E11	210316030000	O型圈25×2.5	O RING 25× 2.5	1
31	E11	210566030000	垫片	GASKET	1
32	E11	210136030000	深沟球轴承	BEARING	2
33	E11	210186030000	轴承挡圈	CIRCLIP, BEARING	2

# F11 COUNTER DRIVE SHAFT ASSY & GEAR SHIFT MECHANISM



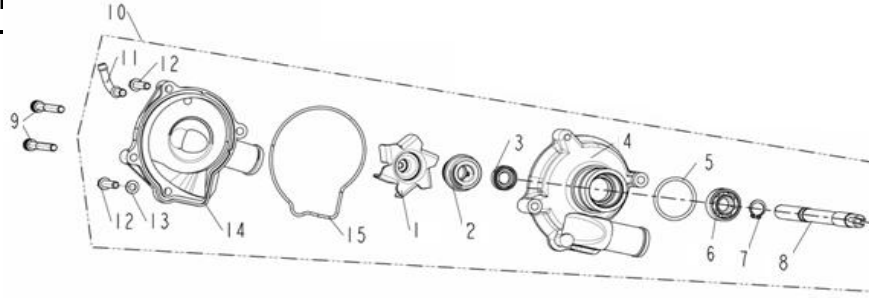
NO.	Position No.	CODE	CN DESCRIPTION	EN DESCRIPTION	Qty/Unit
34	E11	219226030000	副轴	SHAFT, DRIVEN	1
35	E11	210226030000	轴套28	AXLE SET 28	1
36	E11	219246030000	副轴二档齿轮	GEAR,2ND DRIVEN	1
37	E11	210236030000	内花键垫圈	WASHER	3
38	E11	210246030000	挡圈28	CIRCLIP 28	3
39	E11	219286030000	副轴六档齿轮	GEAR,6TH DRIVEN	1
40	E11	210256030000	内花键轴套	AXLE SET	2
41	E11	219266030000	副轴四档齿轮	GEAR,4TH DRIVEN	1
42	E11	210266030000	内花键垫圈	WASHER	1
43	E11	210276030000	内花键锁止垫圈	WASHER	1
44	E11	219256030000	副轴三档齿轮	GEAR,3RD DRIVEN	1
45	E11	219276030000	副轴五档齿轮	GEAR,5TH DRIVEN	1
46	E11	210326030000	垫圈22x30x1	WASHER 22x 30x1	1
47	E11	210286030000	轴套22	AXLE SET 22	1
48	E11	219236030000	副轴一档齿轮	GEAR,1ST DRIVEN	1
49	E11	210296030000	垫圈20	WASHER 20	1
50	E11	219216030000	副轴组件	DRIVER SHAFT ASSY	1
51	E11	B12016020406	滚动轴承6204-Z	BEARING 6204-Z	2
52	E11	210166030001	圆螺母M20x1.0	NUT M20x1.0	1
53	E11	210156030001	垫圈	WASHER	1
54	E11	269116030000	机油泵驱动链轮	SPROCKET ENGINE, OIL PUMP	1
55	E11	210146030000	链轮轴套25	AXLE SET 25, SPROCKET	1
56	E11	210556030000	堵头	STOPPER	1
57	E11	219146030001	主轴	SHAFT, COUNTER	1
58	E11	210126030000	轴套25	AXLE SET 25	1
59	E11	219196030000	主轴五档齿轮	GEAR,5TH DRIVE	1
60	E11	210096030000	内花键垫圈	WASHER	2
61	E11	210106060000	弹性环24	CIRCLIP 24	2
62	E11	210116030000	主轴三四档齿轮	GEAR,3RD/4TH DRIVE	1
63	E11	210086030000	内花键轴套	AXLE SET	1
64	E11	219206030000	主轴六档齿轮	GEAR,6TH DRIVE	1
65	E11	210076030000	内花键垫圈	WASHER	1
66	E11	210066030000	内花键锁止垫圈	WASHER	1
67	E11	219166030000	主轴二档齿轮	GEAR,2ND DRIVE	1
68	E11	219136030001	主轴组件	COUNTER SHAFT ASSY	1

# E12 LUBRICATE SYSTEM (润滑系统总成)



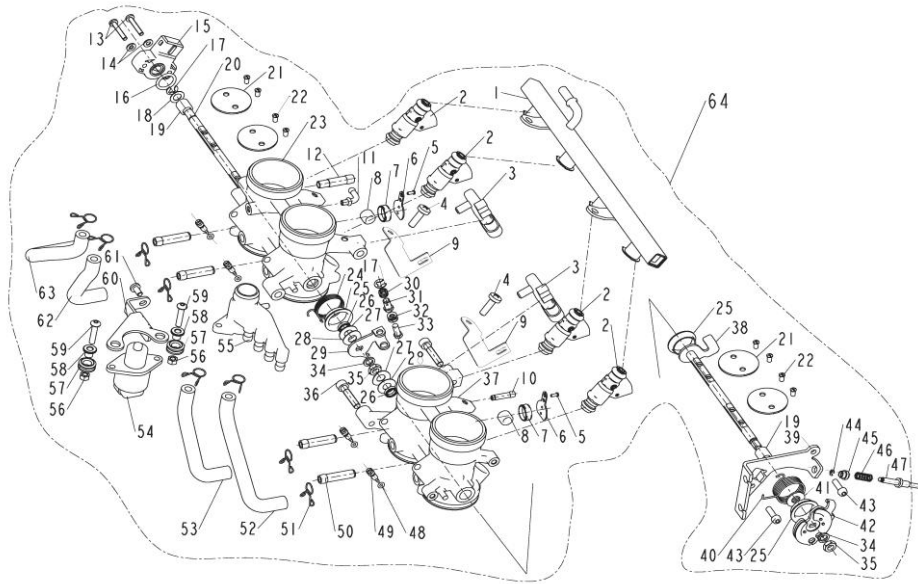
NO.	Position No.	CODE	CN DESCRIPTION	EN DESCRIPTION	Qty/Unit
1	E12	160106110000	连接螺栓	JOINT BOLT	1
2	E12	260146090010	机油滤清器	OIL FILTER	1
3	E12	279236030000	油冷器组件	OIL COLING IMPLEMENT ASSEMBLY	1
4	E12	270036030000	组合垫片	ASSEMBLED GASKET	1
5	E12	270046030000	螺栓M14	BOLT M14	1
6	E12	270056030000	O型圈密封圈	O-RING	1
7	E12	200086030000	定位销Φ8x8	ORIENTATION PIN 8x8	2
8	E12	269106030000	机油泵盖	OIL PUMP LID	1
9	E12	B091403008A1	销	ORIENTATION PIN	2
10	E12	B02000502023	十字槽盘头小螺钉	BOLT	1
11	E12	260086030000	垫圈11x15x1	WASHER 11x15x1	1
12	E12	260096030000	链轮传动销	CHAIN WHEEL DRIVE PIN	1
13	E12	260066030000	外转子	BESIDE ROTOR	1
14	E12	260076030000	内转子	INSIDE ROTOR	1
15	E12	269096030000	泵体	OIL PUMP BODY	1
16	E12	269086030000	泵轴	OIL PUMP SHAFT	1
17	E12	B02050603564	内六角螺钉	BOLT	3
18	E12	269056030000	机油泵链条	OIL PUMP CHAIN	1
19	E12	260116030000	机油泵驱动链轮	OIL PUMP CHAIN WHEEL	1
20	E12	260106030000	垫圈5x20x1.5	GASKET 5x20x1.5	1
21	E12	B13140502002	螺钉M5X10	BOLT M5X10	1
22	E12	260126030000	溢流阀组件	OVERFALL VALVE	1
23	E12	260186030000	机油集滤器组件	CARELESS OIL FILTER ASSEMBLY	1
24	E12	260036030000	机油集滤器套	THE CARELESS OIL FILTER COVER	1
25	E12	160106030030	螺栓M6X30	HEXAGON BOLT	16
26	E12	260026030000	油底壳垫片	UNDERSIDE OIL COVER GASKET	1
27	E12	170056030010	油底壳	UNDERSIDE OIL COVER	1
28	E12	320076090000	磁性螺栓组件	MAGNETISM BOLT	1
29	E12	269016030001	机油泵部件	OIL PUMP	1
30	E12	260236030000	机油泵密封垫	GASKET,OIL PUMP	1

# E13 COOLING SYSTEM 冷却系统总成



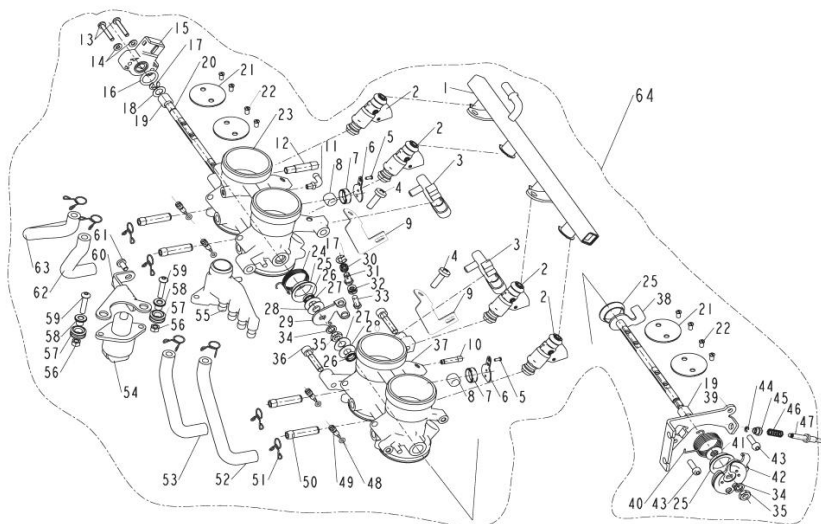
NO.	Position No.	CODE	CN DESCRIPTION	EN DESCRIPTION	Qty/Unit
1	E13	279216030000	叶轮	IMPELLER	1
2	E13	270015050000	水封组件	WATER SEAL ASSY	1
3	E13	270195050000	油封	OIL SEAL	1
4	E13	279316030000	水泵体(钱江灰)	WATER PUMP BODY,GREY	1
5	E13	270365050000	O型圈	O-RING	1
6	E13	B12016000101	轴承	BEARING	1
7	E13	B080100011A1	挡圈	CIRCLIP	1
8	E13	279226030000	水泵轴	WATER PUMP SHAFT	1
9	E13	150316030010	螺栓M6x40	SCREW	2
10	E13	279206030010	水泵分总成(钱江灰)	WATER PUMP,GREY	1
11	E13	270076030000	管子	PIPE	1
12	E13	270156030000	螺栓M6X20	BOLT	2
13	E13	270345050000	垫圈	WASHER	1
14	E13	279336030000	水泵盖(钱江灰)	WATER PUMP COVER,GREY	1
15	E13	270066030000	密封圈	SMALL SEAL RING	1

# E14 THRO



NO.	Position No.	CODE	CN DESCRIPTION	EN DESCRIPTION	Qty/Unit
1	E14	280086030000	油轨	OIL ROAD	1
2	E14	289036030000	喷油器	OIL INSUFFLATING IMPLEMENT	4
3	E14	96910N120000	进气压力传感器	INTAKE PRESSURE SENSOR	2
4	E14	B02000602024	螺钉M6x20	BOLT	2
5	E14	B02000300823	螺钉	BOLT	2
6	E14	280576030000	密封盖板	PRESSURIZING COVER	2
7	E14	280586030000	密封圈	PRESSURIZING RING	2
8	E14	280666030000	橡胶套	RUBBER SLEEVE	2
9	E14	280406030000	安装支架II	KICKSTAND II	2
10	E14	100373070000	管接头	PIPE TIE-IN	1
11	E14	289993060000	管接头	PIPE TIE-IN	1
12	E14	280506030000	负压铜管	COPPER PIPE	1
13	E14	B02000402523	螺钉M4x25	SCREW M4x25	2
14	E14	65705S010000	垫圈	GASKET	2
15	E14	280366030000	节气门位置传感器	THROTTLE LOCATION SENSOR	1
16	E14	280043180000	O形环2.62x15.08	O-RING	1
17	E14	B0882000050A	挡圈	BLOCK GASKET	2
18	E14	280023180000	垫片8.2x14x0.5	GASKET	1
19	E14	280053180000	滚针轴承HK0812.2RS	NEEDLE BEARING	2
20	E14	280246030000	右节气门轴	RIGHT THROTTLE SHAFT	1
21	E14	280076030000	节气门片D37	VVALVE BAN	4
22	E14	280116080000	节气门片固定螺栓M4	BOLT	8
23	E14	280736030000	右节流阀体	RIGHT THROTTLE	1
24	E14	280236030000	右气门轴扭簧	RIGHT THROTTLE TORSIONAL SPRING	1
25	E14	280196030000	节气门扭簧导套	GUID BUSHING	3
26	E14	280386030000	油封8x12x2.5	SEAL	2
27	E14	280336090000	节气门轴垫片II	THROTTLE AXIS GASKET	2
28	E14	280176030000	鞍形弹性垫圈II	SADDLE SHAPED ELASTIC WASHER II	2
29	E14	280256030001	右节气门轴摇臂	RIGHT THROTTLE WAVE	1
30	E14	280296090000	支撑弹簧	BACK-UP SPRING	1
31	E14	280306090000	支撑销	BACK-UP PIN	1
32	E14	280266090000	负压调节螺钉座	SCREW SEAT,BALANCED-DRAFT	1
33	E14	280286090000	负压调节螺钉	SCREW,BALANCED-DRAFT CONTROL	1
34	E14	280266030000	弹簧垫圈	BELLEVILLE SPRING FOR CILINDER	2

# E14 THROT



NO.	Position No.	CODE	CN DESCRIPTION	EN DESCRIPTION	Qty/Unit
35	E14	280476090000	节气门轴锁紧螺母	NUT	2
36	E14	B02050603064	内六角螺钉	HEXAGON BOLT	2
37	E14	280116030000	左节流阀体	LEFT THROTTLE	1
38	E14	280276030000	左节气门轴组件	LEFT THROTTLE SHAFT	1
39	E14	280416030000	安装支架III	MOUNTING BRACKET III	1
40	E14	280306030000	左节气门轴扭簧	LEFT THROTTLE TORSIONAL SPRING	1
41	E14	280346030000	垫片	GASKET	1
42	E14	280676030000	操作转轮组件	CONTROL TRANSFER ASS	1
43	E14	B02810501663	螺栓M5X0.8X16	BOLT M5X0.8X16	2
44	E14	B0882000230A	挡圈	ANELLO UNI 7434 2.3 INOX	1
45	E14	280696030000	怠速调节螺钉座	SCREW SEAT,BALANCED-DRAFT	1
46	E14	40381S010000	控制线φ0.8弹簧	SPRING,CONTROL WIRE	1
47	E14	280376060000	控制线	IDLEE SPEED CABLE	1
48	E14	280416090000	混合比调节螺钉密封圈	O RING,SCREW AIR	4
49	E14	280406090000	混合比调节螺钉	SCREW,AIR	4
50	E14	280716030000	负压铜管	PLUG	4
51	E14	11002214001X	卡箍	CLAMP	8
52	E14	280636030000	定时系统软管IV	TIMING SYSTEM HOSES IV	1
53	E14	280626030000	定时系统软管III	TIMING SYSTEM HOSES III	1
54	E14	280476030000	步进电机	STEPPER MOTOR	1
55	E14	280646030000	定时系统组件	TIMING SYSTEM COMPONENTS	1
56	E14	B04000500054	螺母	NUT	2
57	E14	57039S010000	橡胶垫	RUBBER CUSHION	2
58	E14	49004S010000	T型衬套	BUSH T D5.2 D7.2	2
59	E14	B0283050250A	螺栓M5x25	SCREW M5X25	2
60	E14	280396030000	安装支架 I	MOUNTING BRACKET I	1
61	E14	B02000501025	螺钉	SCREW	1
62	E14	280616030000	定时系统软管II	TIMING SYSTEM HOSES II	1
63	E14	280606030000	定时系统软管I	TIMING SYSTEM HOSES I	1
64	E14	289006030010	节流阀体分总成	THROTTLE ASS	1