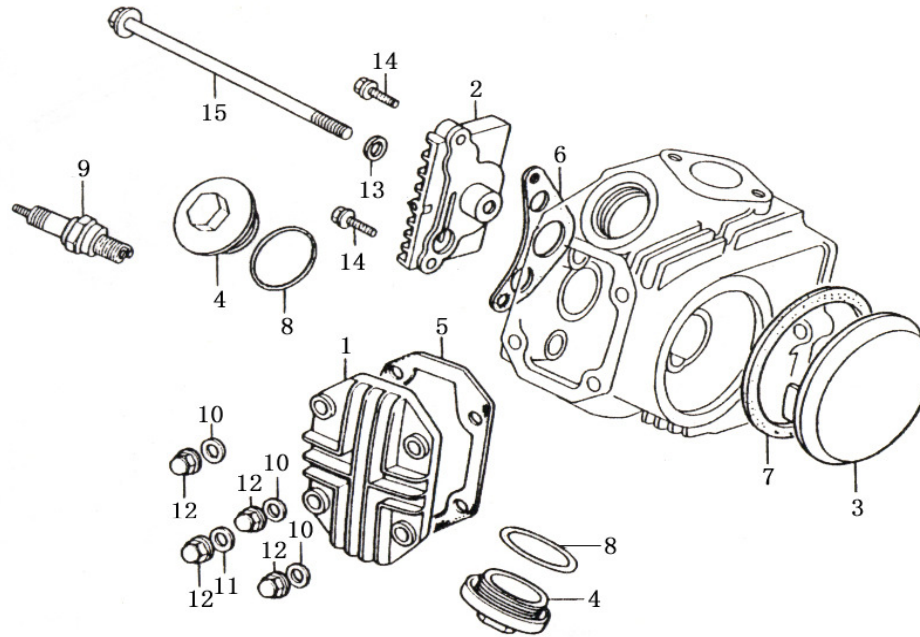


E1

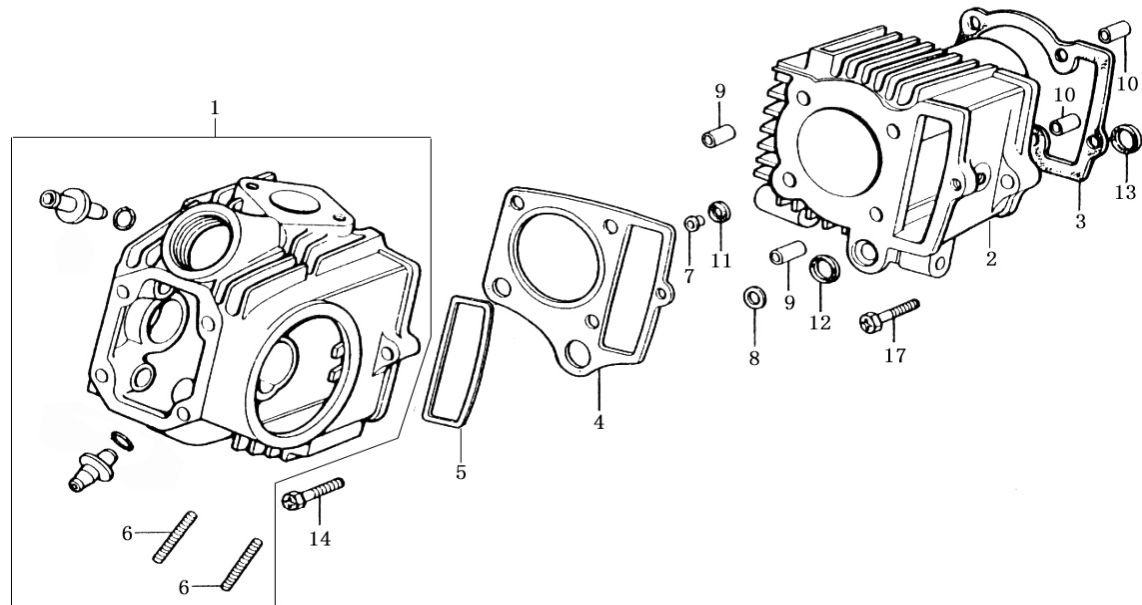
Cylinder Head Cover



Ref.No.	Part No.	Description	Qty.	Remark
1	E0101-001-70E	Cover, upper cylinder head	1	
2	E0101-002-70E	Cover, R. cylinder head	1	
3	E0101-003-70E	cover, L.cylinder head	1	
4	E0101-004-70E	Cap, valve chamber	2	
5	E0101-005-70E	Gasket, upper cylinder head	1	
6	E0101-006-70E	Gasket, R.cylinder head cover	1	
7	E0101-007-70E	Gasket, L.cylinder head cover	1	
8	E0101-011-70E	O-ring 30.8x3.2	2	
9	E0101-012-70E	Spark plug	1	
10	E0101-009-70E	Washer 6	3	
11	E0101-010-70E	Washer A6	1	
12	GB923-88(6)	Nut,cap M6	4	
13	GB95-85(6)	Washer6	1	
14	GB5787-87(6x20)	Bolt, flange AM6x20	2	
15	GB5787-87(6x110)	Bolt, flange AM6x110	1	

E2

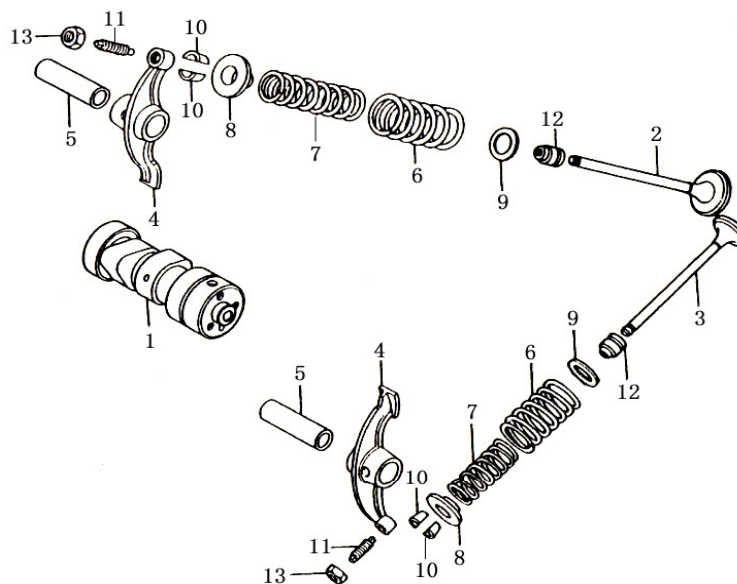
Cylinder  
Cylinder Head



Ref.No.	Part No.	Description	Qty.	Remark
1	E0102-000-70E	Head comp., cylinder	1	
2	E0201-000-70E	Block comp., cylinder	1	
3	E0201-001-70E	Gasket, cylinder block	1	
4	E0102-001-70E	Gasket,cylinder head	1	
5	E0102-002-70E	Seal, cam chain chamber	1	
6	E0102-003-70E	Bolt, stud AGM6-M6×32	2	
7	E0102-005-70E	Collar 9.5	1	
8	E0201-003-70E	Collar 14.8	1	
9	E0201-004-70E	Pin, dowel 8×14	2	
10	E0201-005-70E	Pin, dowel 8×12	2	
11	E0201-006-70E	seal, 9×1.35	1	
12	E0201-007-70E	O-ring 14.5	1	
13	E0201-008-70E	O-ring 16	1	
14	E0201-009-70E	Bolt,M6	2	

E3

Camshaft  
Valve

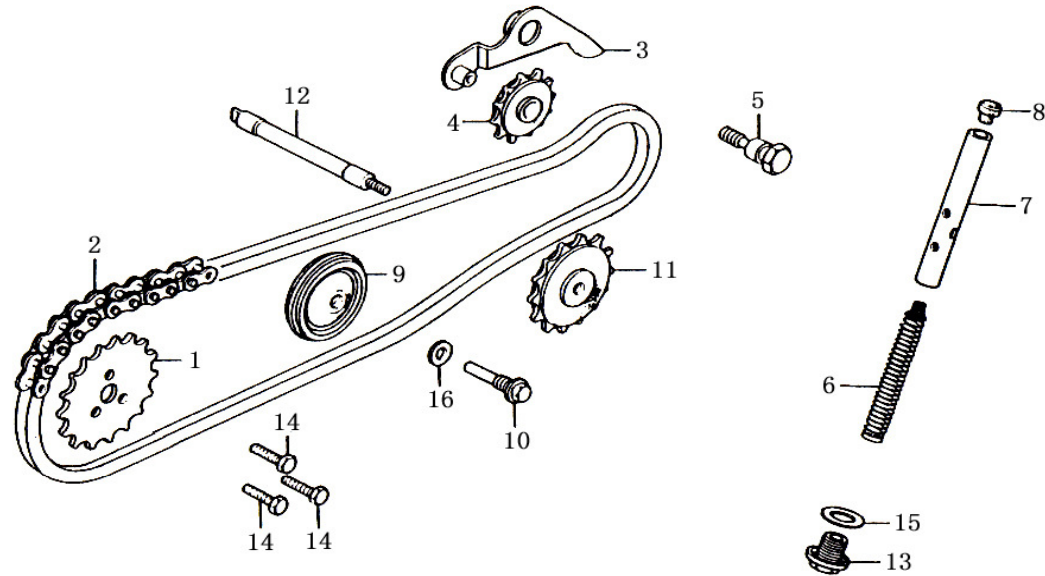


Ref.No.	Part No.	Description	Qty.	Remark
1	E0103-100-70E	Camshaft comp.	1	
2	E0103-004-70E	Valve, intake	1	
3	E0103-005-70E	Valve, exhaust	1	
4	E0103-002-70E	Arm, valve rocker	2	
5	E0103-003-70E	Shaft comp., valve rocker arm	2	
6	E0103-006-70E	Spring, valve outer	2	
7	E0103-007-70E	Spring, valve inner	2	
8	E0103-008-70E	Retainer, valve spring	2	
9	E0103-009-70E	Seat, valve spring outer	2	
10	E0103-010-70E	Cotter, valve	4	
11	E0103-011-70E	Screw, valve adjusting	2	
12	E0103-001-70E	Seal assy., valve stem	2	
13	E0103-012-70E	Nut, valve adjusting	2	

E4

Cam Chain

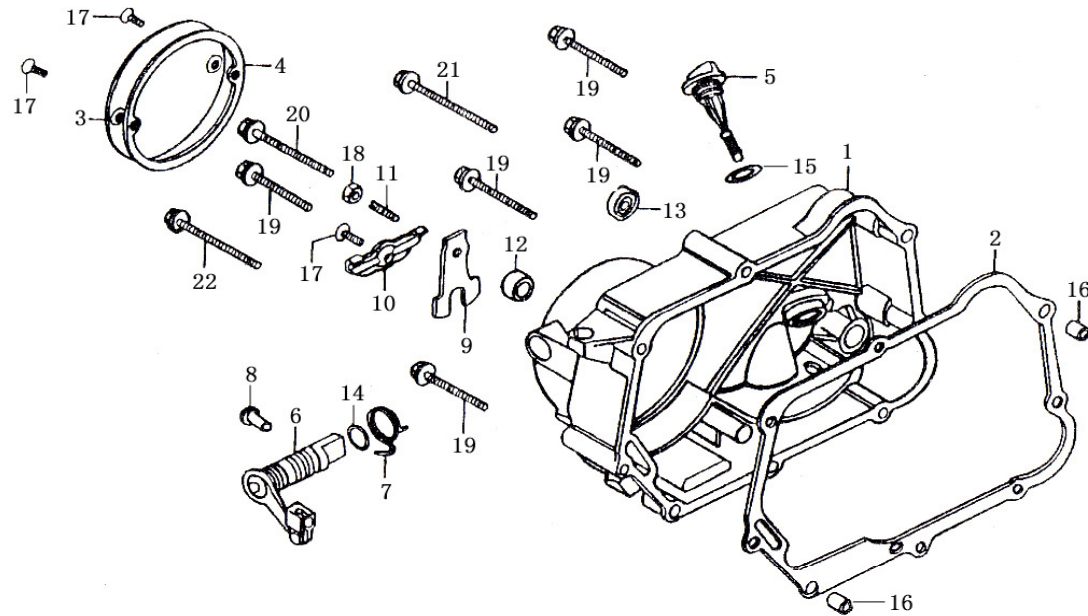
Tensioner



Ref.No.	Part No.	Description	Qty.	Remark
1	E0202-001-70E	Sprocket , cam	1	
2	E0202-002-70E	Chain, cam	1	
3	E0202-003-70E	Arm comp., cam chain tensioner	1	
4	E0202-004-70E	Roller , cam chain tensioner	1	
5	E0202-005-70E	Pivot, cam chain tensioner	1	
6	E0202-006-70E	Spring, cam chain tensioner	1	
7	E0202-007-70E	Rod comp., cam chain tensioner push	1	
8	E0202-008-70E	Head, cam chain tensioner rod	1	
9	E0202-009-70E	Roller comp., cam chain guide	1	
10	E0202-010-70E	Pin, cam chain guide roller	1	
11	E0202-011-70E	Sprocket comp., cam chain guide	1	
12	E0202-012-70E	Spindle, cam chain guide	1	
13	E0202-013-70E	Bolt, sealing M14x1.5	1	
14	E0202-014-70E	Bolt M5x12	3	
15	GB95-85(14)	Washer 14	1	
16	GB95-85(8)	Washer 8	1	

# E5

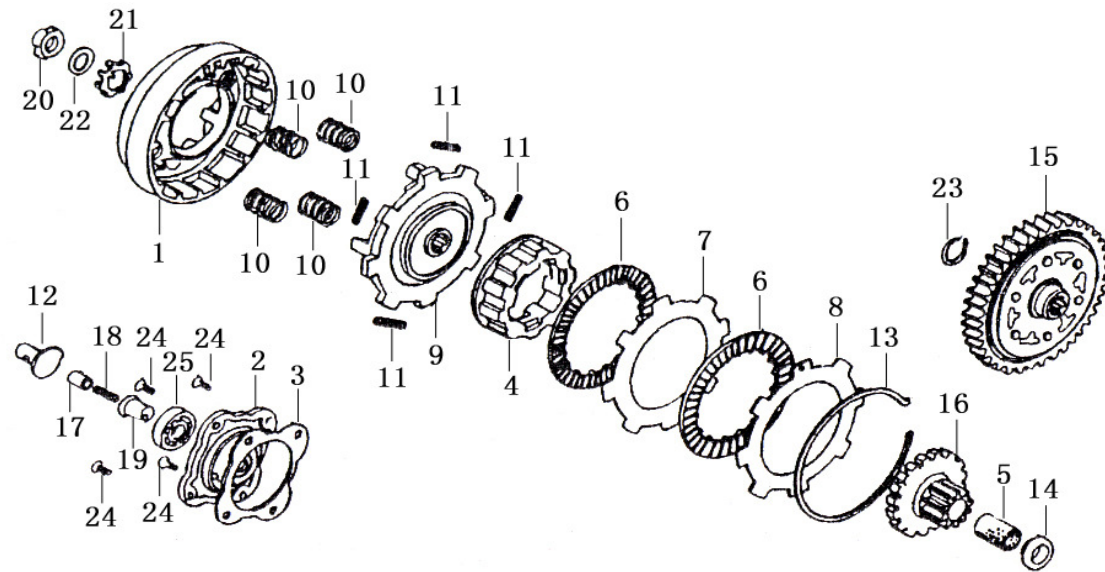
## Right Crankcase Cover



Ref.No.	Part No.	Description	Qty.	Remark
1	E0301-000-70E	Cover comp., R. crankcase	1	
2	E0301-001-70E	Gasket, R. crankcase cover	1	
3	E0302-005-70E	Cover ,clutch	1	
4	E0302-006-70E	Gasket, clutch cover	1	
5	E0301-002-70E	Gauge, oil lever	1	
6	E0302-001-70E	Lever comp., clutch	1	
7	E0302-007-70E	Spring, lever comp., clutch	1	
8	E0302-002-70E	Pin, clutch cam comp.	1	
9	E0302-003-70E	Plate, clutch lifter	1	
10	E0301-003-70E	Plate, clutch lifter setting	1	
11	E0302-004-70E	Screw, clutch adjusting	1	
12	E0301-006-70E	Seal, oil 12×21×4	1	
13	E0301-006-70E	Seal, oil 14×24×5	1	
14	E0301-008-70E	O-ring 14×1.5	1	
15	E0301-007-70E	O-ring 18×3	1	
16	E0301-005-70E	Pin, dowel 8×12	2	
17	GB823-85(6×12)	Screw, M6×16	3	
18	GB41-86(6)	Nut, hex M6	1	
19	GB5787-87(6×40)	Bolt, flange AM6×40	5	
20	GB5787-87(6×55)	Bolt, flange AM6×55	1	
21	GB5787-87(6×65)	Bolt, flange AM6×65	1	
22	GB5787-87(6×80)	Bolt, flange AM6×80	1	

E6

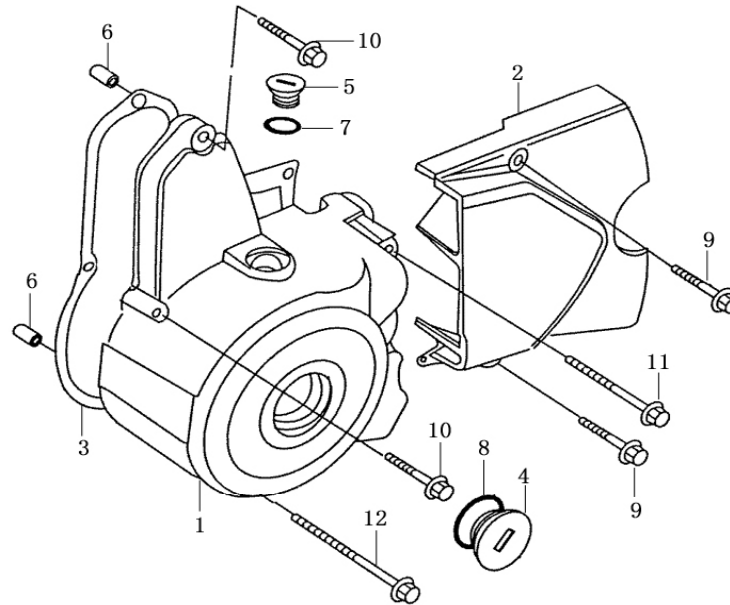
Clutch



Ref.No.	Part No.	Description	Qty.	Remark
1	E0902-001-70E	Outer comp., clutch	1	
2	E0902-002-70E	Cover, clutch outer	1	
3	E0902-003-70E	Gasket, clutch outer couver	1	
4	E0902-004-70E	Center, clutch	1	
5	E0902-005-70E	Guide, clutch center	1	
6	E0902-006-70E	Disk, clutch friction	2	
7	E0902-007-70E	Plate comp., clutch bottom	1	
8	E0902-008-70E	Plate comp., clutch upper	3	
9	E0902-009-70E	Plate, drive	1	
10	E0902-010-70E	Spring ,clutch	4	
11	E0902-011-70E	Spring, clutch damper	4	
12	E0902-012-70E	Rod, clutch push	1	
13	E0902-013-70E	Set ring ,plastic	1	
14	E0902-014-70E	Collar	1	
15	E0902-015-70E	Gear comp., driven	1	
16	E0902-016-70E	Gear, drive	1	
17	E0902-017-70E	Tube ,oil through	1	
18	E0902-018-70E	Spring , oil through tube	1	
19	E0902-019-70E	Guide, oil through	1	
20	E0902-020-70E	Nut, lock	1	
21	E0902-021-70E	Washer, lock	1	
22	E0902-022-70E	Washer, disc-shaping	1	
23	E0902-023-70E	Circlip	1	
24	GB823-76(5×12)	Screw, M5×12	4	
25	GB276-94	Bearing	1	

E7

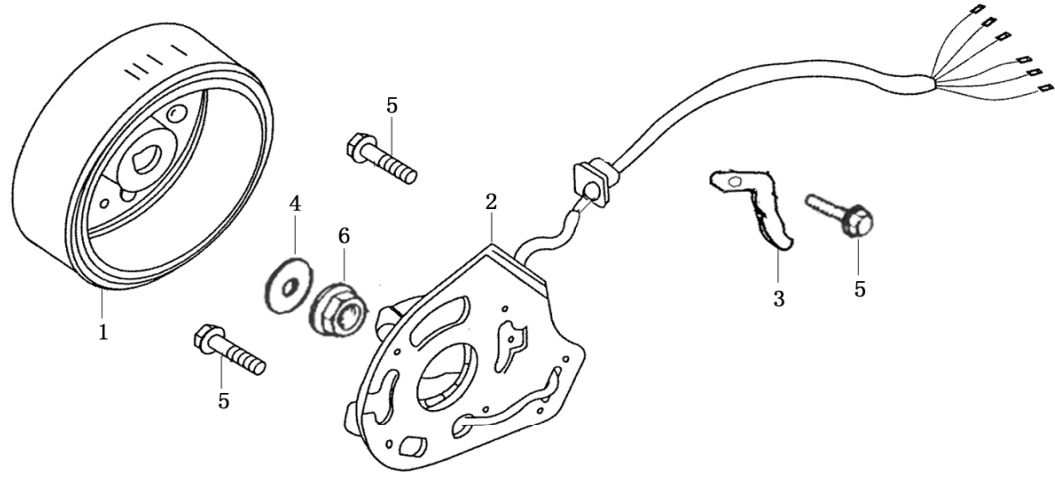
Left Crankcase Cover



Ref.No.	Part No.	Description	Qty.	Remark
1	E0601-001-70E	Cover, L. crankcase front	1	
2	E0601-002-70E	Cover, L. crankcase rear	1	
3	E0601-003-70E	Gasket, L. crankcase cover	1	
4	E0601-005-70E	Cap	1	
5	E0601-006-70E	Cap, generator	1	
6	E0601-007-70E	Pin, dowel 8x12	2	
7	E0601-009-70E	O-sealing ring 13.8x2.5	1	
8	E0601-008-70E	O-sealing ring 27.4x2.4	1	
9	GB5787-87(6x25)	Bolt, flange AM16x25	2	
10	GB5787-87(6x32)	Bolt, flange AM16x32	2	
11	GB5787-87(6x65)	Bolt, flange AM16x65	1	
12	GB5787-87(6x70)	Bolt, flange AM16x70	1	

E8

Generator Comp.

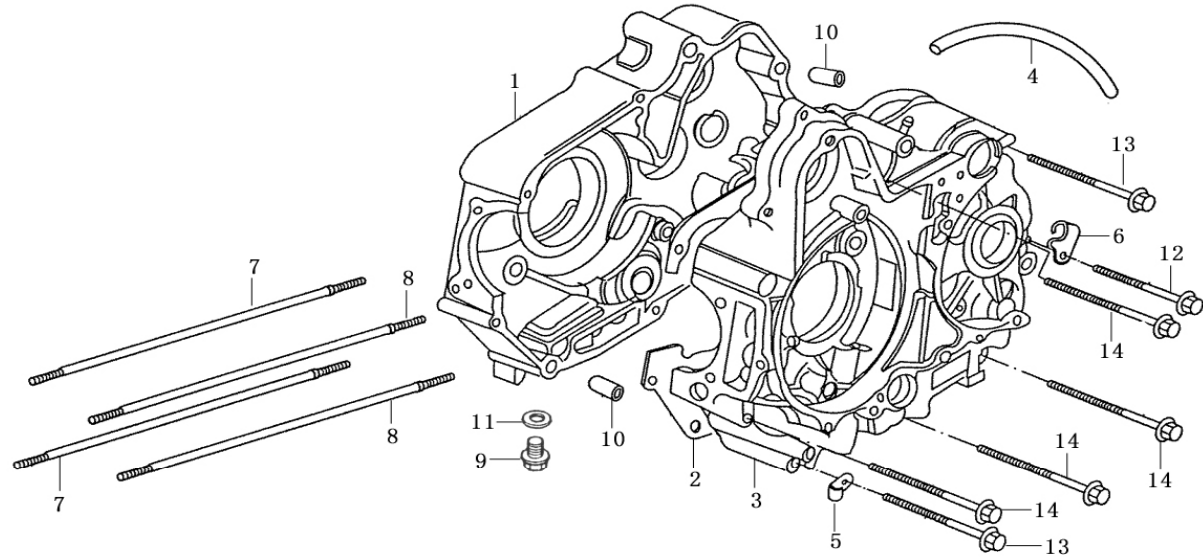


Ref.No.	Part No.	Description	Qty.	Remark
1	E1202-000-70E	Flywheel comp.	1	
2	E1201-000-70E	Stator comp	1	
3	E1201-001-70E	Plate, wire clamping	1	
4	E1201-002-70E	Washer 10	1	
5	GB5787-87(6x16)	Bolt, flange AM6x16	2	
6	GB6187-86(10x1.25)	Nut ,M10x1.25	1	



E9

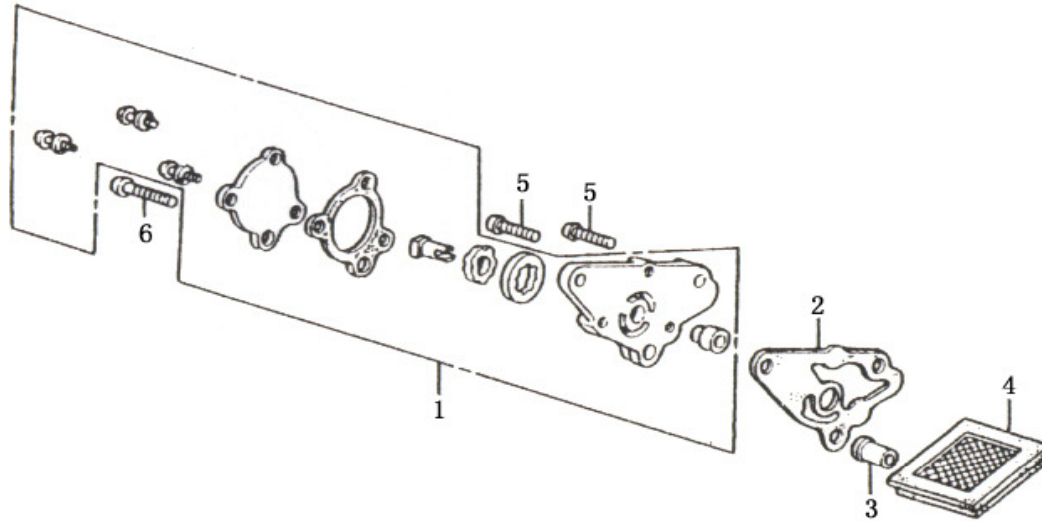
Crankcase



Ref.No.	Part No.	Description	Qty.	Remark
1	E0401-000-70E	Crankcase comp... R.	1	
2	E0401-001-70E	Gasket,crankcase	1	
3	E0501-000-70E	Crankcase comp., L.	1	
4	E0401-002-70E	Tube, breather	1	
5	E0401-003-70E	Clamper,overflow pipe	1	
6	E0401-004-70E	Clamper,breather rube	1	
7	E0401-005-70E	Bolt A, cylinder stud	2	
8	E0401-006-70E	Bolt B, cylinder stud	2	
9	E0401-007-70E	Bolt, drain plug M12	1	
10	E0401-008-70E	Pin, dowel 10x14	2	
11	E0401-009-70E	Washer 12	1	
12	GB5787-87(6x50)	Bolt, flange AM6x50	1	
13	GB5787-87(6x60)	Bolt, flange AM6x60	2	
14	GB5787-87(6x65)	Bolt, flange AM6x65	4	

### E10

### Oil Pump Comp.

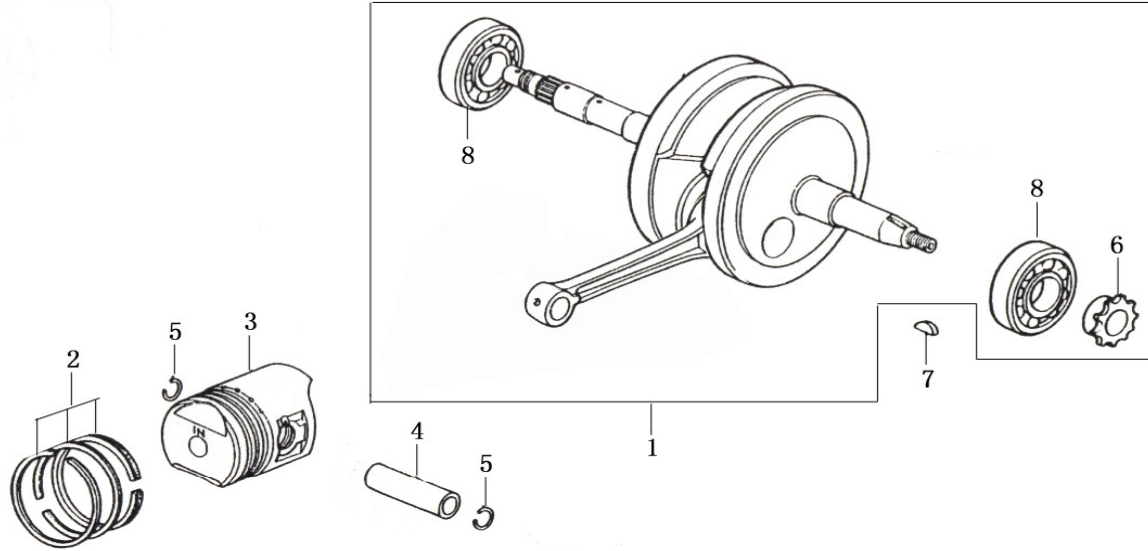


Ref.No.	Part No.	Description	Qty.	Remark
1	E1001-000-70E	Pump assy., oil pump	1	
2	E1001-001-70E	Gasket, oil pump body	1	
3	E1001-002-70E	Bush, oil pump body	1	
4	E1001-003-70E	Screen, oil filter	1	
5	GB823-86(6×16)	Screw M6×16	2	
6	GB823-86(6×22)	Screw M6×22	1	

E11

Crankshaft

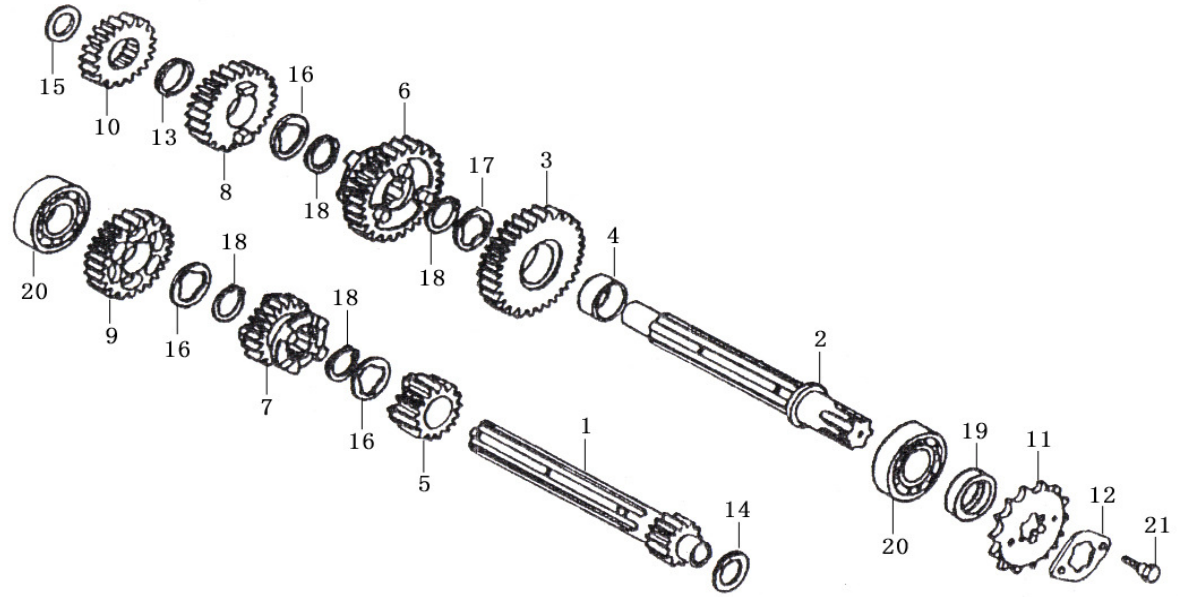
Piston



Ref.No.	Part No.	Description	Qty.	Remark
1	E0701-000-70E	Crankshaft comp.	1	
2	E0702-001-70E	Piston ring	1set	
3	E0702-005-70E	Piston	1	
4	E0702-006-70E	Pin,piston	1	
5	E0702-007-70E	Circlip,piston pin 15	2	
6	E0701-006-70E	Sprocket, timing	1	
7	E0701-001-70E	Key, woodruff	1	
8	GB276-94(6304)	Bearing 6304	2	

E12

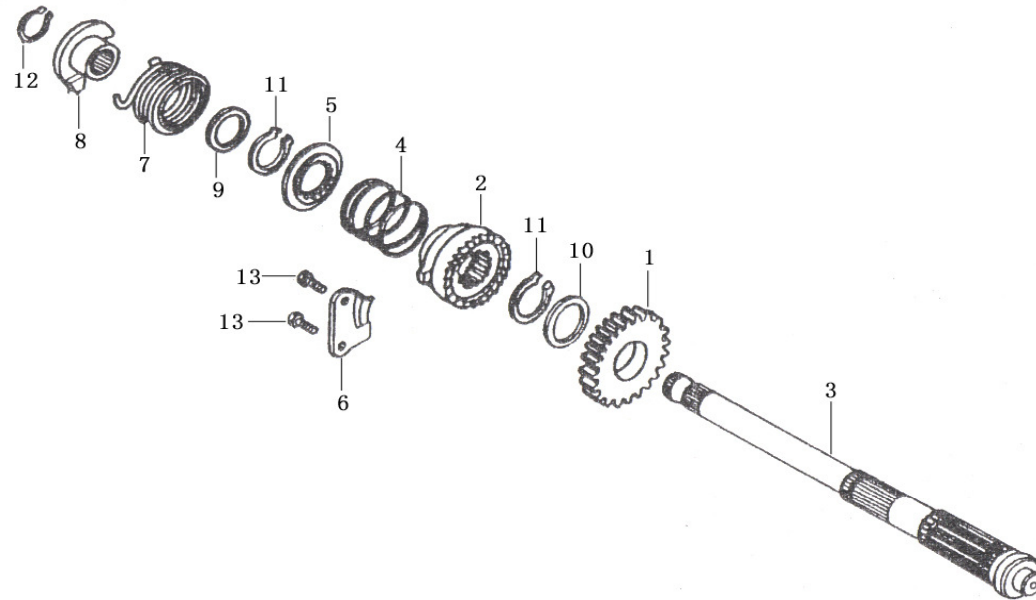
Transmission Comp.



Ref.No.	Part No.	Description	Qty.	Remark
1	E0801-000-70E	Mainshaft , transmission	1	
2	E0802-000-70E	Countershaft , transmission	1	
3	E0802-001-70E	Gear, countershaft low	1	
4	E0802-002-70E	Collar, gear	1	
5	E0801-001-70E	Gear, mainshaft second	1	
6	E0802-003-70E	Gear, countershaft second	1	
7	E0801-002-70E	Gear, mainshaft third	1	
8	E0802-004-70E	Gear, countershaft third	1	
9	E0801-003-70E	Gear, mainshaft fourth	1	
10	E0802-005-70E	Gear, countershaft fourth	1	
11	E0802-006-70E	Sprocket, drive	1	
12	E0802-007-70E	Plate, drive sprocket fixing	1	
13	E0802-008-70E	Washer	1	
14	E0802-009-70E	Washer, thrust	1	
15	E0802-010-70E	Washer, thrust	1	
16	E0802-011-70E	Washer, spline	3	
17	E0802-012-70E	Washer, spline	1	
18	E0801-004-70E	Circlip	4	
19	E0802-013-70E	Oil seal	1	
20	GB276-94(6203)	Bearing 6203	2	
21	GB5781-86(6x8)	Bolt ,hexM6x8	2	

E13

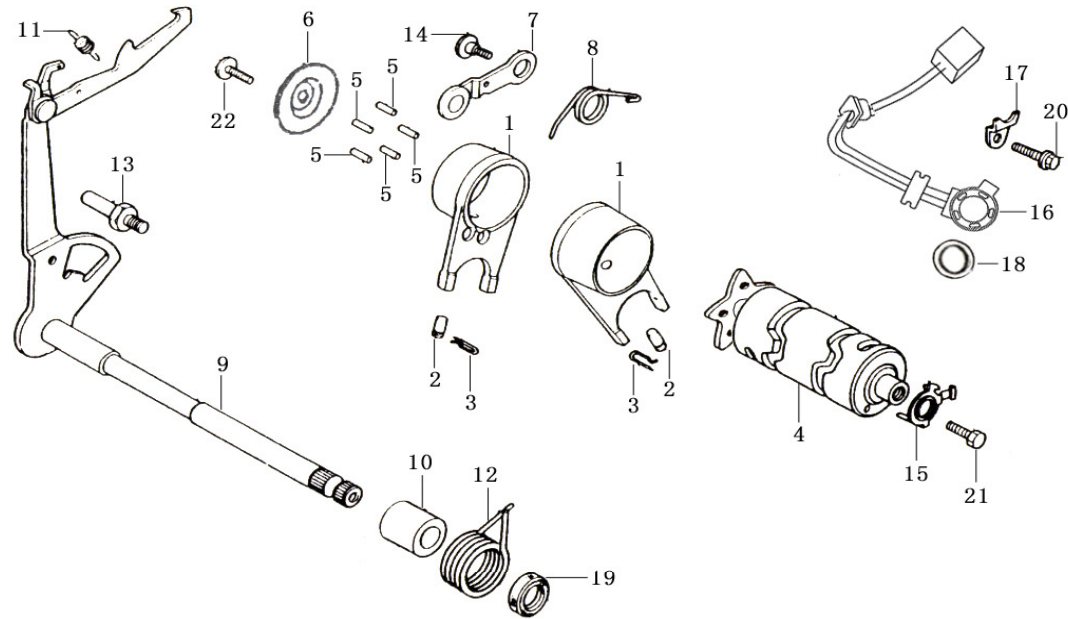
Kick Starter



Ref.No.	Part No.	Description	Qty.	Remark
1	E0803-000-70E	Pignon, kick stariter	1	
2	E0803-001-70E	Ratchet, kick stariter	1	
3	E0803-002-70E	Spindle, kick starter	1	
4	E0803-003-70E	Spring, kick starter ratchet	1	
5	E0803-004-70E	Retainer, ratchet spring	1	
6	E0803-005-70E	Plate, ratchet guide	1	
7	E0803-006-70E	Spring, kick starter spindle return	1	
8	E0803-007-70E	Spindle spring	1	
9	E0803-008-70E	Washer	1	
10	E0803-009-70E	Washer	1	
11	E0803-010-70E	Circlip	2	
12	E0803-011-70E	Circlip	1	
13	GB5781-86(6x20)	Bolt, hexM6x20	2	

# E14

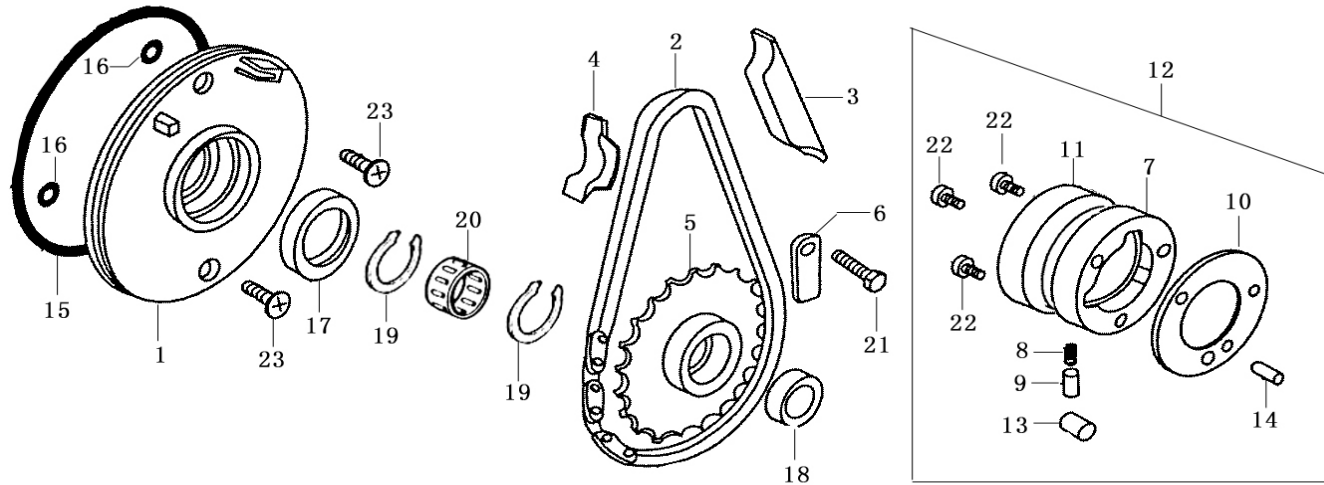
## Gearshift Comp.



Ref.No.	Part No.	Description	Qty.	Remark
1	E0805-001-70E	Fork, gearshift	2	
2	E0805-002-70E	Pin, gearshift fork guide	2	
3	E0805-003-70E	Clip, gearshift fork guide pin	2	
4	E0805-004-70E	Drum, gearshift	1	
5	E0805-005-70E	Pin, 4x12.8	5	
6	E0805-006-70E	Cover, gearshift drum	1	
7	E0805-007-70E	Stopper comp., gearshift drum	1	
8	E0805-008-70E	Spring, gearshift drum stopper return	1	
9	E0805-009-70E	Shaft comp.gearshift	1	
10	E0805-010-70E	Collar	1	
11	E0805-011-70E	Spring, gearshift arm	1	
12	E0805-012-70E	Spring , gearshift return	1	
13	E0805-013-70E	Pin, shift return spring	1	
14	E0805-014-70E	Bolt, gearshift drum stopper	1	
15	E0805-015-70E	gearshift switch contact	1	
16	E0805-016-70E	Gearshift switch comp.	1	
17	E0805-017-70E	Plate, gearshift switch pressign	1	
18	E0805-018-70E	O-ring	1	
19	E0805-019-70E	Oil seal	1	
20	GB5787-87(6x12)	Bolt, frange AM6x12	1	
21	GB823-86(6x12)	Screw M6x12	1	
22	GB818-86(6x16)	Screw M6x16	1	

# E15

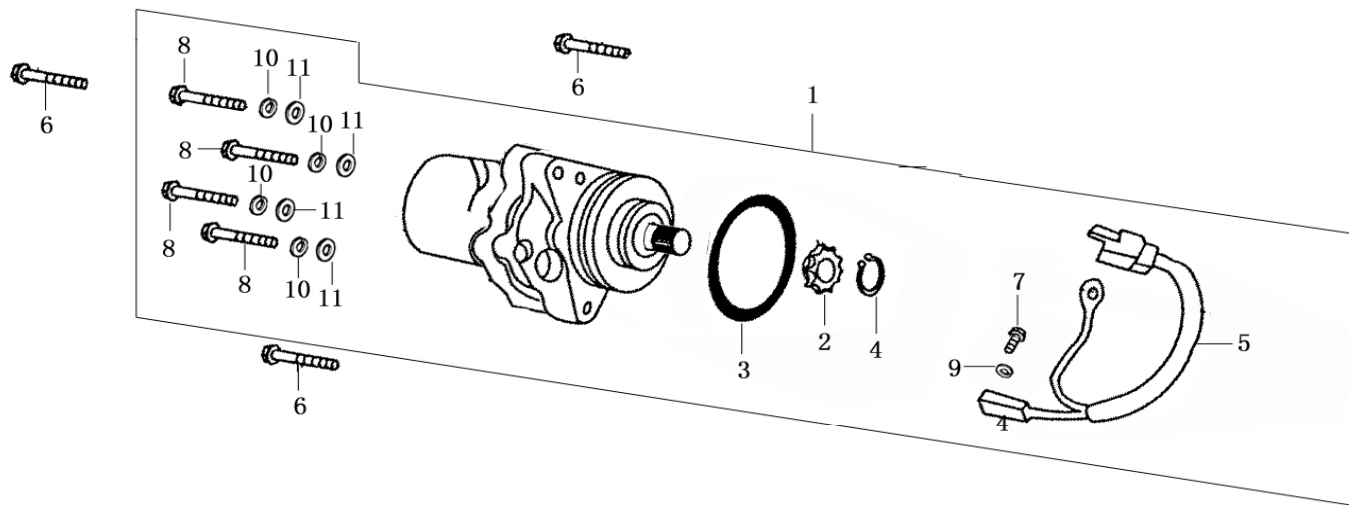
## Starting Clutch



Ref.No.	Part No.	Description	Qty.	Remark
1	E0903-001-70E	Cover, starting clutch	1	
2	E0903-002-70E	Chain, starting motor transmission	1	
3	E0903-003-70E	Plate , starting chain guide	1	
4	E0903-004-70E	Tensioner, chain	1	
5	E0903-005-70E	Wheel comp., starting motor drivenchain	1	
6	E0903-006-70E	Retainer	1	
7	E0903-007-70E	Outer comp., starting clutch	1	
8	E0903-008-70E	Spring, starting clutch roller	3	
9	E0903-009-70E	Cap,starting clutch roller spring	3	
10	E0903-010-70E	Gasket, starting clutch outer	1	
11	E0903-011-70E	Cover, starting clutch outer	1	
12	E0903-012-70E	Starting clutch comp.	1	
13	E0903-013-70E	Roller	3	
14	E0903-014-70E	Pin, dowel 5×11.8	1	
15	E0903-015-70E	O-ring	1	
16	E0903-016-70E	O-ring	2	
17	E0903-017-70E	Oil seal 30×42×4.5	1	
18	E0903-018-70E	Oil seal	1	
19	E0903-019-70E	Collar 23	2	
20	E0903-020-70E	Needle bearing 9×23×13	1	
21	GB5787-87(6×12)	Bolt ,flangeAM6×12	1	
22	GB818-85(6×20)	Screw M6×20	3	
23	GB818-85(6×16)	Screw M6×16	2	

# E16

## Starter Motor

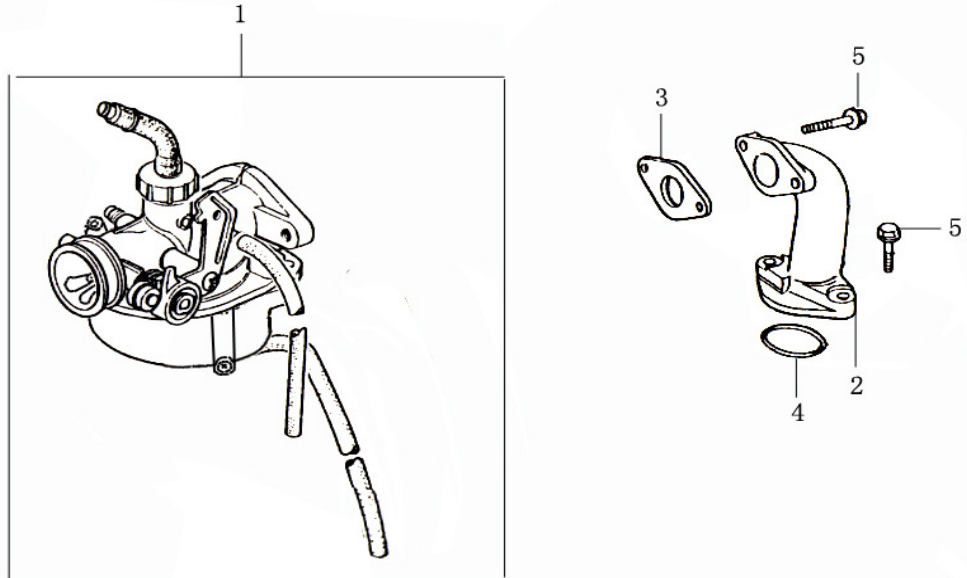


Ref.No.	Part No.	Description	Qty.	Remark
1	E1101-000-70E	Starter Motor Comp.	1	
2	E1101-001-70E	Sprocket, starting motor drive	1	
3	E1101-005-70E	O-ring , rubber	1	
4	E1101-007-70E	Circlip	1	
5	E1101-008-70E	Connecting wire, starting motor	1	
6	GB5787-87(6×45)	Bolt, flange AM6×45	3	
7	GB823-86(4×6)	Screw M4×6	1	
8	GB823-86(5×30)	Screw M5×30	4	
9	GB93-87(4)	Spring washer 4	1	
10	GB93-87(5)	Spring washer 5	4	
11	GB95-85(5)	Washer, plain 5	4	



E17

Carburetor assy.



Ref.No.	Part No.	Description	Qty.	Remark
1	1002B-000-70E	Carburetor unit	1	
2	1002B-100-70E	Pipe , in	1	
3	1002B-101-70E	Insulator, carburetor	1	
4	1002B-102-70E	O-ring	1	
5	GB5787-87(6×25)	Bolt ,flangeAM6×25	4	