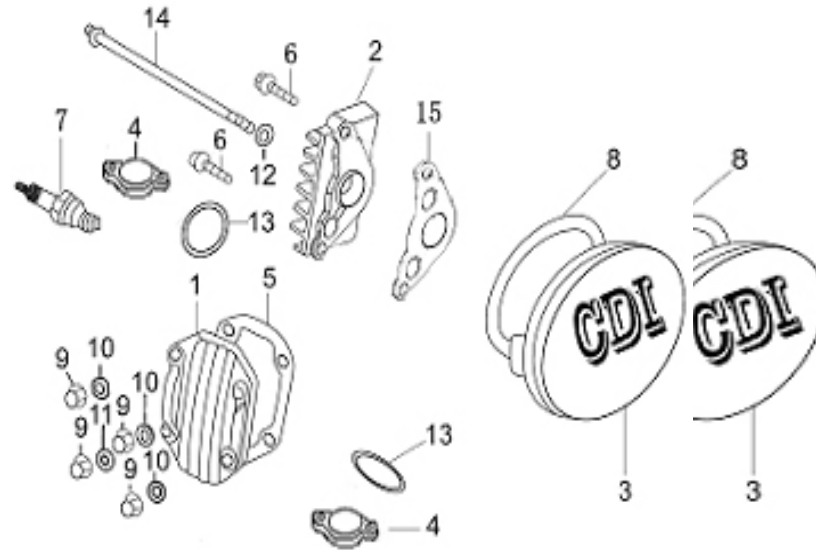
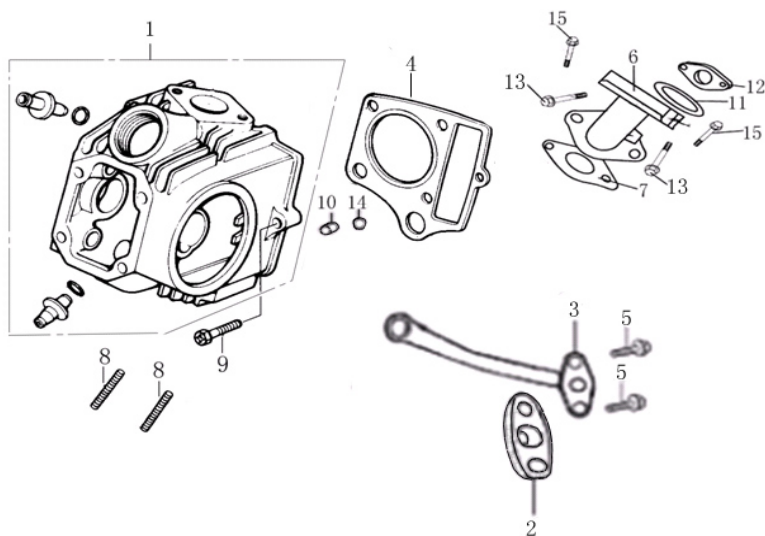


E-2 气缸头盖 (Cylinder Head Cover Assy)



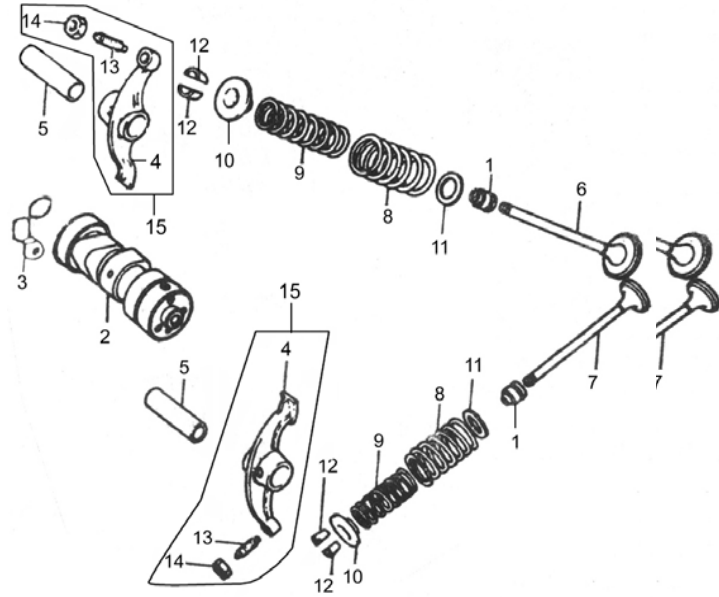
ITEM	PART NO.	中文名称	DESCRIPTION	QTY	ORDER QTY	UNIT PRICE
1	12310-FYIF3-000	气缸头盖	Cylinder Head Cover	1		
2	12332-FYIF3-000	气缸头右盖组合	Right Cover, Cylinder Head	1		
3	12331-FYIF3-00L	气缸头左盖	Left Cover, Cylinder Head	1		
4	12335-FYIF3-000	气门盖	Valve Cover	2		
5	12392-FYIF3-000	气缸头盖密封垫	Gasket, Cylinder Head Cover	1		
6	90103-06025-00F5J	螺栓M6×25	Bolt M6×25	2		
7	30700-FYGF-000	火花塞	Spark Plug	1		
8	12333-FYIF3-000	气缸头左盖密封垫	Left cover Gasket, Cylinder head	1		
9	GB/T923-88-70000	螺母M7	Nut M7	4		
10	90301-07015-2500B	气缸螺栓钢垫圈7	Steel Washer, Cylinder bolt	3		
11	90301-07015-25CU0	气缸螺栓铜垫圈7	Copper Washer, Cylinder bolt	1		
12	90301-06013-01AL0	垫圈6	Washer 6	1		
13	90701-30003-002	气门盖O型密封圈	O-Ring, Valve Cover	2		
14	GB/T5789-M6*110-F5J	螺栓M6×110	Bolt M6×110	1		
15	12334-FYIF3-000	缸头右盖密封垫	Right cover Gasket, Cylinder head	1		

E-3 气缸头 (Cylinder Head)



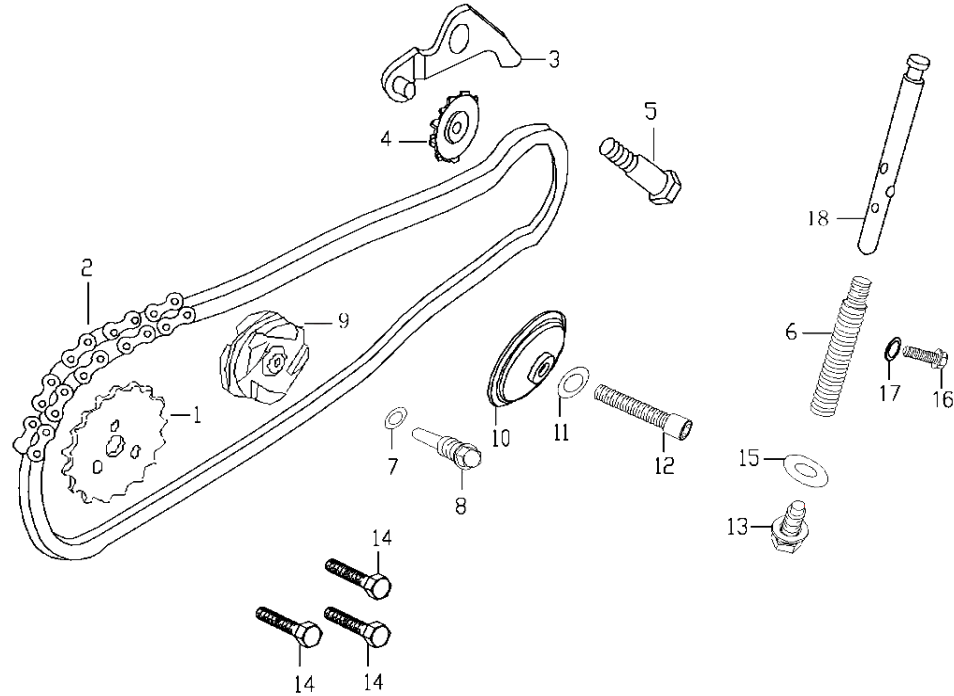
ITEM	PART NO.	中文名称	DESCRIPTION	Q'TY	ORDER QTY	UNIT PRICE
1	12200-FYIF3-000	气缸头组合	Cylinder Head Set	1		
2	16103-FYIF3-000	通气管组合	Air conduit	1		
3	16105-FYIF3-000	通气管垫片	Gasket	1		
4	12391-FYIF3-000	气缸头密封垫	Gasket, Cylinder Head	1		
5	GB/T16674.1-M6*16-F5J	螺栓M6×16	Bolt M6×16	2		
6	16103-FYIF3-000	进气管 (64#)	Inlet Pipe (64#)	1		
7	16105-FYIF3-000	进气管密封垫	Gasket, Inlet Pipe	1		
8	GB898-88-06034-K	螺栓M6×34	Bolt M6×34	2		
9	GB/T29.2-88-06023-L	螺栓M6×23	Bolt M6×23	1		
10	90414-08010-000	气缸通油衬套	Bushing	1		
11	90701-25002-004	化油器接口密封圈	Gasket, Carburetor	1		
12	16104-FYIF3-000	进气管隔热垫	Heat-Isolating Mat, Inlet Pipe	1		
13	GB/T16674.1-96-06030-L	螺栓M6×30	Bolt M6×30	2		
14	90715-14018-002	矩形密封圈	Rectangular Ring	1		
15	90103-06028-00F5J	螺栓M6×28	Bolt M6×28	2		

E-4 凸轮轴、气门 (Camshaft & Valve)



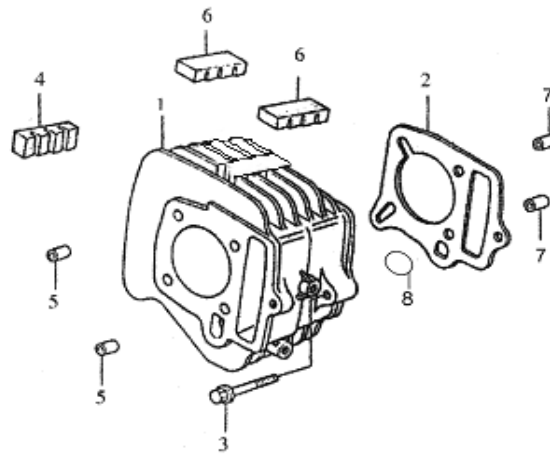
ITEM	PART NO.	中文名称	DESCRIPTION	Q'TY	ORDER QTY	UNIT PRICE
1	14790-FYGF-000	挡油罩	Oil Seal, Valve Stem	2		
2	14100-FYIF3-000	凸轮轴装配组合	Camshaft Comp.	1		
3	14100-FYIF3-001	自动减压器限位板	Auto Reductor Limit Plate	1		
4	14430-FYGF-003	气门摇臂	Valve Rocker Arm	2		
5	14450-FYGF-000	摇臂轴	Rocker Shaft	2		
6	14711-FYIF3-000	进气门	Inlet Valve	1		
7	14721-FYIF3-000	排气门	Exhaust Valve	1		
8	14751-FYGF-000	气门外弹簧	Outer Valve Spring	2		
9	14761-FYGF-000	气门内弹簧	Inner Valve Spring	2		
10	14771-FYGF-000	气门弹簧上座	Spring Upper Retainer	2		
11	28103-17023-1000K	气门外弹簧座	Outer Spring Retainer	2		
12	14781-FYGF-000	气门锁夹	Valve Clamp	4		
13	14430-FYGF-001	气门间隙调节螺钉	Valve Adjusting Screw	2		
14	14430-FYGF-002	气门间隙调节螺母	Locking Nut	2		
15	14430-FYGF-000	摇臂装配组合	Rocker Arm Set	2		

E-5 正时链条、张紧器 (Timing Chain & Tensioner)



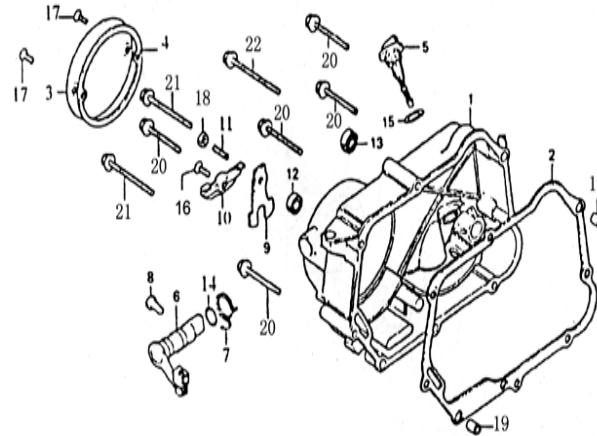
ITEM	PART NO.	中文名称	DESCRIPTION	Q'TY	ORDER QTY	UNIT PRICE
1	14109-FYIF3-000	正时从动链轮32T	Timing Driven Sprocket (32T)	1		
2	14440-FYIF3-000	正时链条	Timing Chain	1		
3	14530-FYGF-000	张紧臂组合	Tensioning Arm Set	1		
4	14541-FYGF-000	张紧轮	Chain Tensioner	1		
5	14542-FYGF-000	张紧臂螺钉	Screw, Tensioning Arm	1		
6	14543-FYGF-000	张紧杆弹簧	Spring, Chain Adjusting Set	1		
7	14510-FYGF-001	张紧杆组合	Pole, Chain Adjusting Set	1		
8	14510-FYGF-002	张紧杆头	Cap, Chain Adjusting Set	1		
9	14560-FYGF-000	导向轮	Chain Guide Roller	1		
10	14561-FYIF3-000	导向轮销轴	Pivot, Guide Chain Roller	1		
11	15133-FYIF3-000	滚轮	Roller	1		
12	15133-FYIF3-001	滚轮垫圈	Washer	1		
13	14562-14012-000B	密封螺塞M14×1.5	Sealing Plug M14×1.5	1		
14	GB/T5783-M5*12-A2F	螺栓M5×12	Bolt M5×12	3		
15	90301-14020-15AL0	张紧器密封垫	Gasket, Chain Adjusting Set	1		
16	15114-FYIF3-000	滚轮销钉	Roller Pivot	1		
17	90301-08015-1500	垫片	Washer 8	1		

E-6 气缸 (Cylinder)



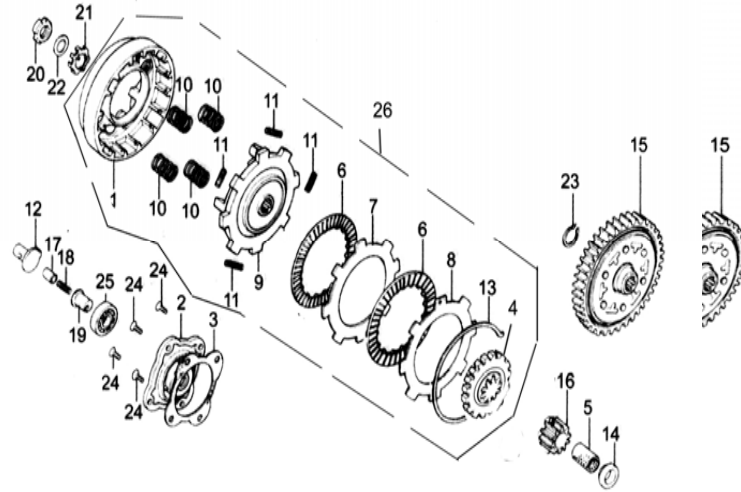
ITEM	PART NO.	中文名称	DESCRIPTION	QTY	ORDER QTY	UNIT PRICE
1	12000-FYIF3-000	气缸体组合	Cylinder Block	1		
2	12191-FYIF3-000	气缸体密封垫	Cylinder Gasket	1		
3	GB/T29.2-88-06030-L	螺栓M6×30	Bolt M6×30	1		
4	12912-FYIF3-000	气缸减振块(二)	Cylinder block Rubber No.2	1		
5	90411-08014-000	气缸头定位销	Cylinder Head Pin	2		
6	12913-FYIF3-000	气缸减振块(三)	Rubber No.3	2		
7	90411-08012-000	定位销	Set Pin	2		
8	90715-11015-002	矩形密封圈11.5×2.1	Rectangular Ring 11.5×2.1	1		

E-7 右曲轴箱盖 (Right Crankcase Cover)



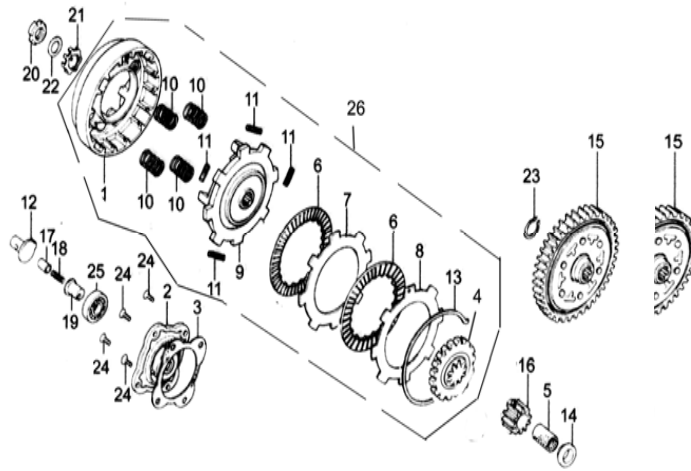
ITEM	PART NO.	中文名称	DESCRIPTION	Q'TY	ORDER QTY	UNIT PRICE
1	11300-FYGF-000	右曲轴箱盖组合	Crankcase cover,RH	1		
2	11393-FYGF-000	右曲轴箱盖密封垫	Gasket,crankcase cover,RH	1		
3	11356-FYIF3-000	右小盖	Clutch cover	1		
4	90563-FYGF-000	点火线圈线夹	Wire clamp,ignition coil	1		
5	15155-FYGF-000	机油尺	Dipstick	1		
6	21410-FYIF3-000	离合器操纵杆组合	Controlling lever,clutch	1		
7	21416-FYIF3-000	离合器操纵杆弹簧	Spring	1		
8	21411-FYIF3-000	离合器操纵杆定位销	Set pin	1		
9	21421-FYIF3-000	离合器拨板	Control plate	1		
10	21422-FYIF3-000	离合器操纵杆压板	Press plate	1		
11	21421-FYIF3-001	离合器调节螺杆	Adjusting screw	1		
12	21421-FYIF3-002	推杆油封	Oil seal	1		
13	90801-13024-005	起动轴油封 13.7×24×5	Oil seal 13.7×24×5	1		
14	90701-14001-000	O形圈	O-ring	1		
15	90701-18003-000	机油尺O型圈	O-ring,dipstick	1		
16	GB/T819.1-M6*16-F5J	螺钉M6×16	Screw M6×16	1		
17	GB/T69-05012-L	螺钉M5×12	Screw M5×12	2		
18	GB/T6170-0600	螺母M6	Nut M6	1		
19	90411-08012-000	定位销8×12	Dowel pin 8×12	2		
20	GB/T16674.1-M6*40-F5J	螺栓M6×40	Bolt M6×40	5		
21	GB/T16674.1-M6*80-F5J	螺栓M6×80	Bolt M6×80	2		
22	GB/T16674.1-M6*65-F5J	螺栓M6×65	Bolt M6×65	1		

E-8 离合器 (Clutch)



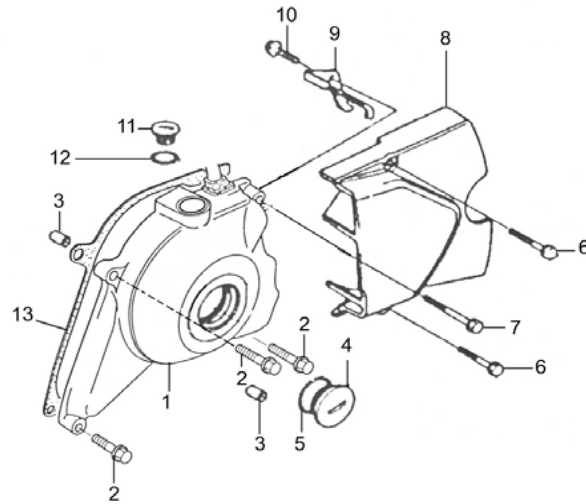
ITEM	PART NO.	中文名称	DESCRIPTION	QTY	ORDER QTY	UNIT PRICE
1	21100-FYIF3-101	离合器外罩	Hood, clutch	1		
2	21215-FYIF3-000	离合器端盖	End cover, clutch	1		
3	21103-FYIF3-000	离合器端盖密封垫	Gasket, clutch end cover	1		
4	21100-FYIF3-102	主动齿轮外套	Sleeve	1		
5	21227-FYGF-100	初级主动齿轮衬套	Bushing	1		
6	21100-FYIF3-103	从动片组合	Friction plate	2		
7	21100-FYIF3-104	主动片 (一)	Drive plate (No.1)	1		
8	21100-FYIF3-105	主动片 (二)	Drive plate (No.2)	1		
9	21100-FYIF3-106	离合器主动盘	Drive disc	1		
10	21100-FYIF3-107	离合器弹簧	Spring	4		
11	21100-FYIF3-108	离合器减震弹簧	Damping spring	4		
12	21451-FYIF3-000	离合器推杆组合	Push rod set	1		
13	21100-FYIF3-109	弹性挡圈	Snap ring	1		
14	21116-FYIF3-100	离合器垫圈	Washer	1		
15	22226-FYIF3-100	初级从动齿轮组合 (67Z)	Primary driven gear (67Z)	1		

E-8 离合器 (Clutch)



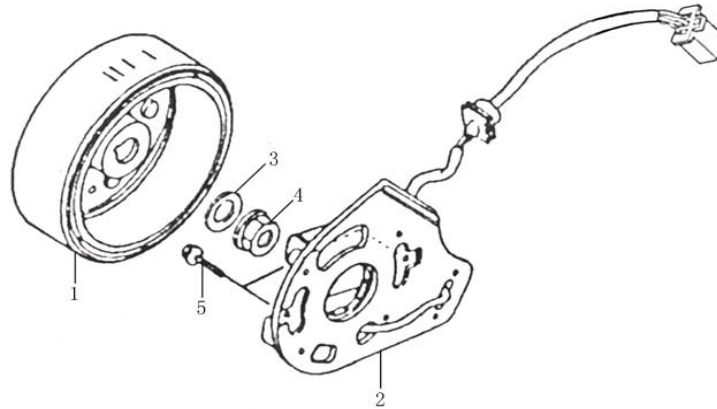
ITEM	PART NO.	中文名称	DESCRIPTION	QTY	ORDER QTY	UNIT PRICE
16	21227-FYIF3-000	初级主动齿轮(18Z)	Primary drive gear (18Z)	1		
17	21236-FYIF3-000	曲轴通油管	Oil tube	1		
18	21237-FYIF3-000	通油管弹簧	Spring	1		
19	21235-FYIF-000	通油套管	Sleeve	1		
20	90209-14001-000	初级主动齿轮紧固螺母(M14)	Lock nut M14×1	1		
21	21308-FYGF-000	止退垫圈	Lock washer	1		
22	90307-14024-16000	碟形垫圈	Dished washer	1		
23	28103-17023-1000K	初级从动齿轮挡圈	Snap ring	1		
24	GB/T819.1-M5*12-A2F	螺钉 M5×12	Screw M5×12	4		
25	6001/P6-GB/T276-94	轴承 6001	Bearing 6001	1		
26	21100-FYIF3-100	离合器主体组合	Clutch body	1		

E-9 左曲轴箱盖 (Left Crankcase cover)



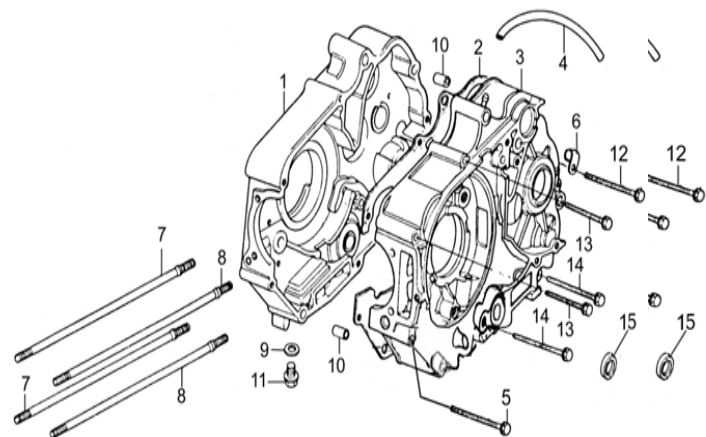
ITEM	PART NO.	中文名称	DESCRIPTION	QTY	ORDER QTY	UNIT PRICE
1	11400-FYIF3-000	左曲轴箱盖	Crankcase cover,LH	1		
2	GB/T16674.1-06030-L	螺栓M6×30	Bolt M6×30	3		
3	90411-08012-000	定位销8×12	Dowel pin 8×12	2		
4	11446-FYGF-000	螺塞	Plug	1		
5	90727-FYXF-000	螺塞O型圈27×2	O-ring 27×2	1		
6	GB/T16674.1-06025-L	螺栓M6×25	Bolt M6×25	2		
7	GB/T16674.1-06050-L	螺栓M6×50	Bolt M6×50	1		
8	11462-FYIF3-000	左后盖	Cover,RL	1		
9	31116-FYIF3-000	磁电机线夹	Wire clamp,magneto	1		
10	GB/T5783-M6*16-A2F	螺栓M6×16	Bolt M6×16	1		
11	11445-FYGF-000	观察孔螺塞	Plug,watch hole	1		
12	90713-FYXF-000	观察孔螺塞O形圈13.5×2.4	O-ring 13.5×2.4	1		
13	11495-FYIF3-000	左曲轴箱盖密封垫	Gasket,crankcase cover,LH	1		

E-10 磁电机 (Magneto)



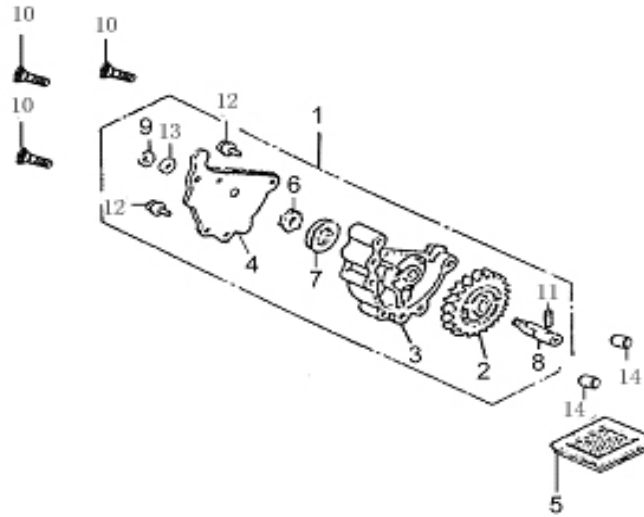
ITEM	PART NO.	中文名称	DESCRIPTION	Q'TY	ORDER QTY	UNIT PRICE
1	31110-FYIF3-000	磁电机转子组合	Rotor set,magneto	1		
2	31120-FYIF3-000	磁电机定子组合	Stator set,magneto	1		
3	90301-10024-015	垫圈	Washer	1		
4	GB/T6177.2 M10*1.25-A2	磁电机紧固螺母M10×1.	Lock nut M10×1.25	1		
5	GB/T5783-06016	螺栓M6×16	Bolt M6×16	2		

E-11 曲轴箱 (Crankcase)



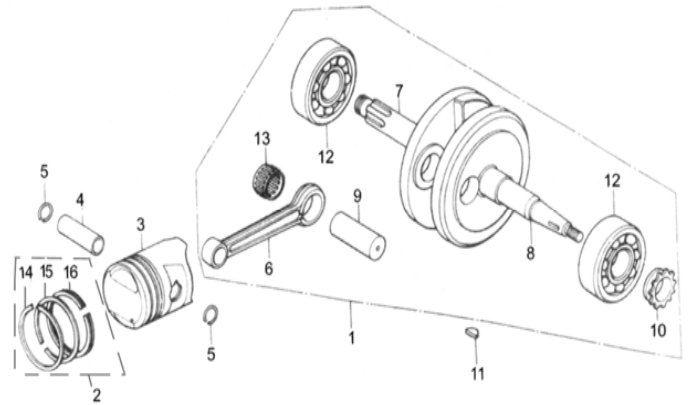
ITEM	PART NO.	中文名称	DESCRIPTION	QTY	ORDER QTY	UNIT PRICE
1	11110-FYIF3-000	右曲轴箱组合	Crankcase,RH	1		
2	11191-FYIF3-000	曲轴箱密封垫	Gasket,crankcase	1		
3	11210-FYIF3-000	左曲轴箱组合	Crankcase,LH	1		
4	11211-FYIF3-000	废气管	Vent pipe	1		
5	GB/T16674.1-06055-L	螺栓M6×55	Bolt M6×55	1		
6	11211-FYIF3-100	废气管管夹	Clamp,Vent pipe	1		
7	GB899-88-A-K	气缸螺栓A	Bolt A,Cylinder	2		
8	GB899-88-B-K	气缸螺栓B	Bolt B,Cylinder	2		
9	90301-12020-15AL0	放油螺塞垫圈	Washer	1		
10	90411-10014-000	定位销10×14	Dowel pin 10×14	2		
11	GB/T5789-96-12015	放油螺塞M12×1.5	Drain plug M12×1.5	1		
12	GB/T16674.1-06050-L	螺栓M6×50	Bolt M6×50	1		
13	GB/T16674.1-06060-L	螺栓M6×60	Bolt M6×60	2		
14	GB/T16674.1-M6*65-F5J	螺栓M6×65	Bolt M6×65	2		
15	90801-11024-010	挡轴油封 (11.6×24×10)	Oil seal (11.6×24×10)	1		

E-12 机油泵 (Oil Pump)



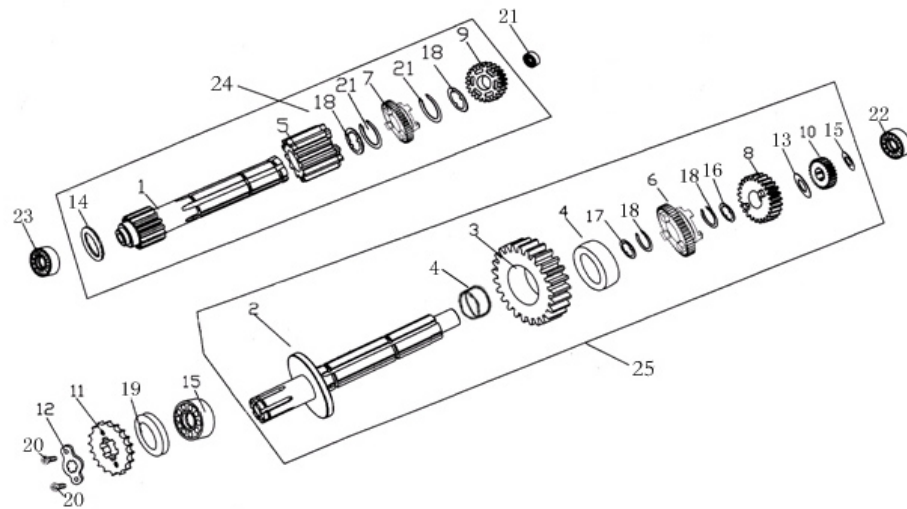
ITEM	PART NO.	中文名称	DESCRIPTION	Q'TY	ORDER QTY	UNIT PRICE
1	15000-FYIF3-000	机油泵总成	Oil pump Assy	1		
2	15000-FYIF3-001	机油泵从动齿轮组合	Driven gear	1		
3	15000-FYIF3-002	机油泵体	Body, Oil pump	1		
4	15000-FYIF3-003	机油泵盖	Cover, Oil pump	1		
5	15160-FYGF-000	机油滤网组合	Oil gauze filter	1		
6	15000-FYIF3-004	机油泵内转子	Inner rotor, Oil pump	1		
7	15000-FYIF3-005	机油泵外转子	Outer rotor, Oil pump	1		
8	15000-FYIF3-006	机油泵轴	Shaft Oil pump	1		
9	GB/T896-04	挡圈	Collar	1		
10	GB/T819.1-06035	螺钉M6×35	Screw M6×35	3		
11	GB/T119-03016	销3×16	Set pin 3×16	1		
12	GB/T16674-05010	螺栓M5×10	Bolt M5×10	2		
13	GB/T848-06014	垫圈6	Washer 6	1		
14	15000-FYIF3-007	定位销	Dowel pin	2		

E-13 曲轴/活塞 (Crankshaft & Piston)



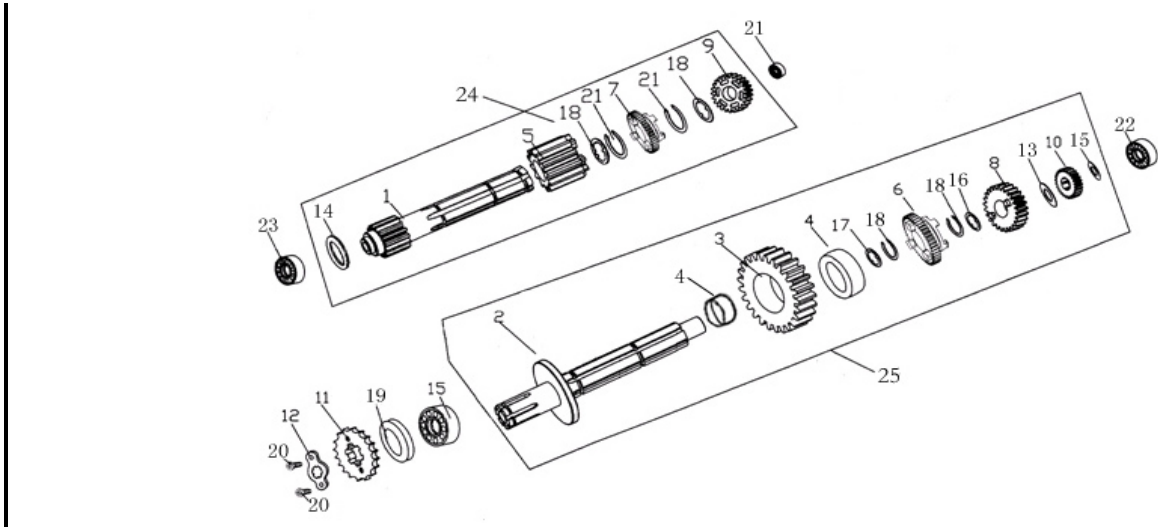
ITEM	PART NO.	中文名称	DESCRIPTION	QTY	ORDER QTY	UNIT PRICE
1	13200-FYIF3-000	曲轴连杆组合	Crankshaft & connecting rod	1		
2	13120-FYIF3-000	活塞环组	Piston ring set	1		
3	13101-FYIF3-000	活塞	Piston	1		
4	13111-FYIF3-000	活塞销	Piston pin	1		
5	13112-FYIF3-000	活塞销挡圈	Clip, piston pin	2		
6	13201-FYIF3-000	连杆	Connecting rod	1		
7	13204-FYIF3-000	右曲柄	Crankshaft,RH	1		
8	13205-FYIF3-000	左曲柄	Crankshaft,LH	1		
9	13202-FYIF3-000	曲柄销	Pin, Crankshaft	1		
10	14201-FYIF3-000	正时主动链轮 (16T)	Timing drive sprocket (14T)	1		
11	13206-FYGF-000	半圆键	Woodruff key	1		
12	GB/T276-94-6205	轴承6205	Bearing 6205	2		
13	13203-FYIF3-000	连杆大头轴承	Roller bearing,connecting rod big	1		
14	13121-FYIF3-000	活塞环 (一)	Piston ring (No.1)	1		
15	13122-FYIF3-000	活塞环 (二)	Piston ring (No.2)	1		
16	13123-FYIF3-000	油环组合	Oil ring,3-piece	1		

E-14 主轴/副轴 (Transmission Shaft)



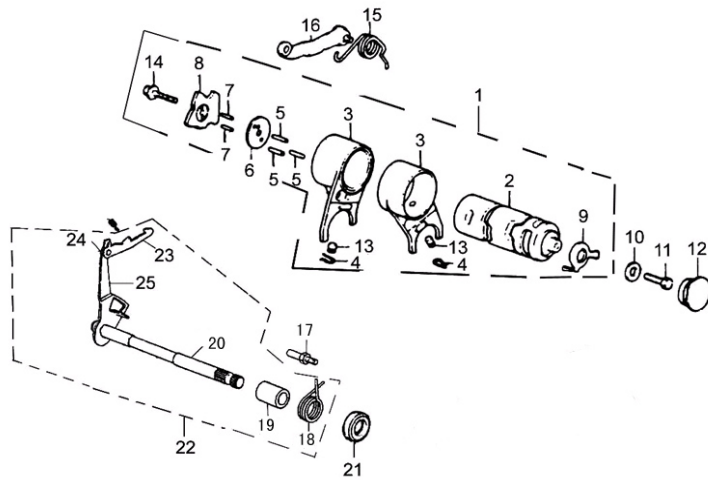
ITEM	PART NO.	中文名称	DESCRIPTION	Q'TY	ORDER QTY	UNIT PRICE
1	23501-FYIF3-000	主轴	Main shaft	1		
2	23601-FYIF3-000	副轴	Counter Shaft	1		
3	23611-FYIF3-000	副轴一档齿轮	1st gear,counter shaft	1		
4	23614-FYIF3-000	衬套	Bushing	1		
5	23509-FYIF3-000	主轴二档齿轮	2nd gear,main shaft	1		
6	23603-FYIF3-000	副轴二档齿轮	2nd gear,counter shaft	1		
7	23504-FYIF3-000	主轴三档齿轮	3rd gear,main shaft	1		
8	23608-FYIF3-000	副轴三档齿轮	3rd gear,counter shaft	1		
9	23505-FYIF3-000	主轴四档齿轮	4th gear,main shaft	1		
10	23605-FYIF3-000	副轴四档齿轮	4th gear,counter shaft	1		
11	23682-FYIF3-000	输出链轮 (16Z)	Output sprocket(16Z)	1		
12	23681-FYGF-000	链轮固定板	Fixing plate	1		
13	23602-FYIF3-000	垫圈 (-)	WasherI	1		
14	23507-FYIF3-000	垫圈 (-)	WasherI	1		
15	23609-FYIF3-000	垫圈 (二)	WasherII	1		

E-14 主轴/副轴 (Transmission Shaft)



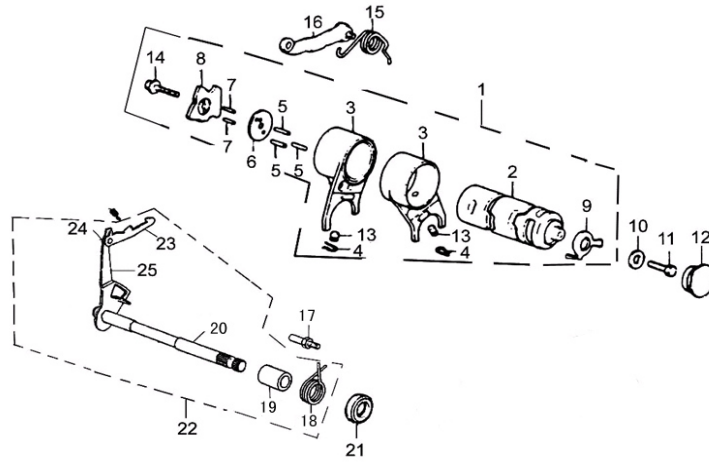
ITEM	PART NO.	中文名称	DESCRIPTION	Q'TY	ORDER QTY	UNIT PRICE
16	23507-FYIF3-000	内花键垫圈	Spindle washer	3		
17	23606-FYIF3-000	内花键垫圈	Spindle washer	1		
18	GB/T 894.1-86-16000	弹性挡圈	Snap ring	4		
19	90801-17029-005	副轴油封 17×29×5	Oil seal 17×29×5	1		
20	GB/T 5783-2000-06008	螺栓M6×8	Bolt M6×8	2		
21	6203/P5-GB/T276-94	轴承6203	Bearing 6203	2		
22	6201/C3-GB/T276-94	轴承6201	Bearing 6201	1		
23	6001/P6-GB/T276-94	轴承6001	Bearing 6001	1		
24	23500-FYIF3-100	主轴组合	Main shaft Assy	1		
25	23600-FYIF3-100	副轴组合	Counter shaft Assy	1		

E-15 变档凸轮 (Gearshift Drum)



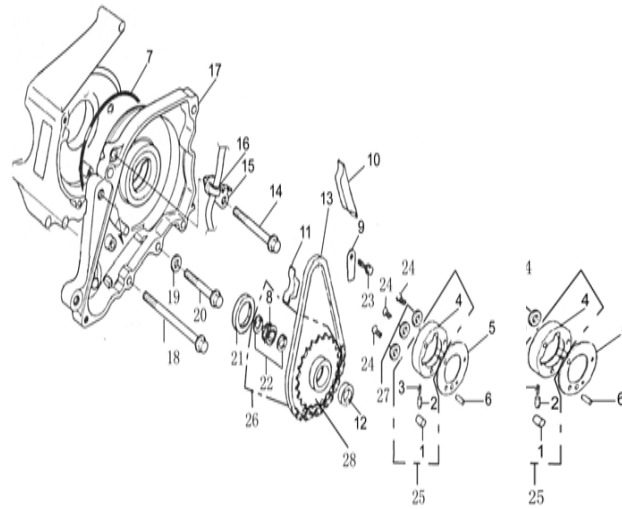
ITEM	PART NO.	中文名称	DESCRIPTION	Q'TY	ORDER QTY	UNIT PRICE
1	23701-FYIF3-000	变档凸轮装配组合	Gearshift Drum Assy	1		
2	23702-FYIF3-000	变档凸轮	Drum, Gearshift	1		
3	23740-FYGF-000	拨叉	Fork	2		
4	23748-FYGF-000	弹簧夹	Clamp, Spring	2		
5	23746-FYIF3-001	档位指示销	Pin, Shift	3		
6	23719-FYIF3-000	档位指示销压板	Clamp, Shift Pin	1		
7	23746-FYIF3-002	变档轮定位销	Dowel Pin, Gearshift Wheel	2		
8	23711-FYIF3-000	变档轮	Wheel, Gearshift	1		
9	31322-FYIF3-000	空档指示器接触片	Contacts, Neutral Indicator	1		
10	90301-06017-2000B	垫圈	Washer	1		
11	GB/T 5783-2000-06012	螺钉M6×12	Screw M6×12	1		
12	31317-FYGF-000	空档指示器油封	Oil Seal, Neutral Indicator	1		
13	23747-FYGF-000	拨销	Pin, Pull	2		
14	GB/T 5783-2000-06012-B	螺钉M6×12	Screw M6×12	1		
15	23731-FYIF3-000	定位板弹簧	Spring, Position Plate	1		

E-15 变档凸轮 (Gearshift Drum)



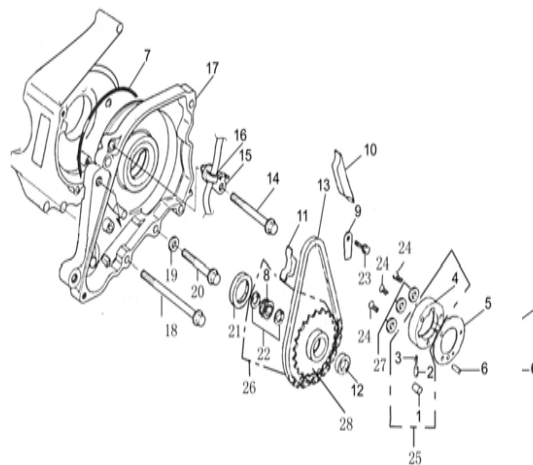
ITEM	PART NO.	中文名称	DESCRIPTION	Q'TY	ORDER QTY	UNIT PRICE
16	23730-FYIF3-000	档位定位板组合	Position Plate Comp	1		
17	23723-FYIF3-000	回位弹簧止动螺钉	Stop Screw	1		
18	23716-FYIF3-000	变档轴回位弹簧	Torsion Spring	1		
19	23735-FYIF3-000	轴套	Bush	1		
20	23712-FYIF3-000	变档轴	Shaft, Shift	1		
21	90801-11024-010	变档轴油封11.6×24×10	Oil Seal, Gearshift Shaft 11.6×24×10	1		
22	23712-FYIF3-000	变档轴总成	Gearshift Shaft Assy	1		
23	23713-FYIF3-100	副变档拨板	Shifter,Secondary	1		
24	23720-FYIF3-100	变档拨板销钉	Pin	1		
25	23713-FYIF3-000	变档拨板	Shifter	1		

E-16 起动离合器 (Starting clutch)



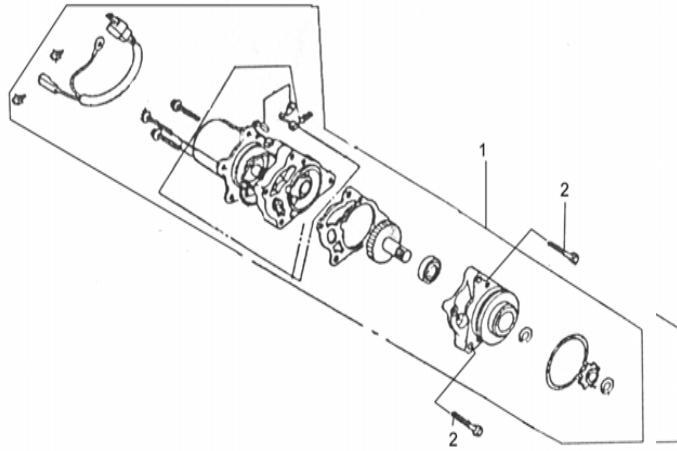
ITEM	PART NO.	中文名称	DESCRIPTION	QTY	ORDER QTY	UNIT PRICE
1	28132-FYIF3-000	滚子10×10	Roller 10×10	3		
2	28135-FYIF3-000	弹簧套	Sleeve,spring	3		
3	28122-FYIF3-000	弹簧	Spring	3		
4	28128-FYIF3-000	起动离合器本体组合	starting clutch body	1		
5	28125-FYIF3-000	起动离合器盖板	Side plate,start clutch	1		
6	90411-05012-000	起动离合器盖板销5×12	Pin 5×12	1		
7	90701-10700-020	O型圈107×2	O-ring 107×2	1		
8	GB/T5801-94-1913	滚针轴承19×23×13	Needle bearing 19×23×13	1		
9	23802-FYGF-000	起动离合器链轮定位板	Set plate,startsprocket	1		
10	28134-FYGF-000	起动链条张紧板	Tensioning plate	1		
11	28132-FYGF-000	起动链条导向板	Guide	1		
12	90801-19030-005	曲轴左油封18.9×30×5	Oil seal 18.9×30×5	1		
13	31210-FYGF-000	起动链条64T	Start chain 64T	1		
14	90103-06025-00F5J	螺栓M6×25	Bolt M6×25	1		
15	90561-FYIF3-000	起动电机线线夹	Wire clamp	1		

E-16 起动离合器 (Starting clutch)



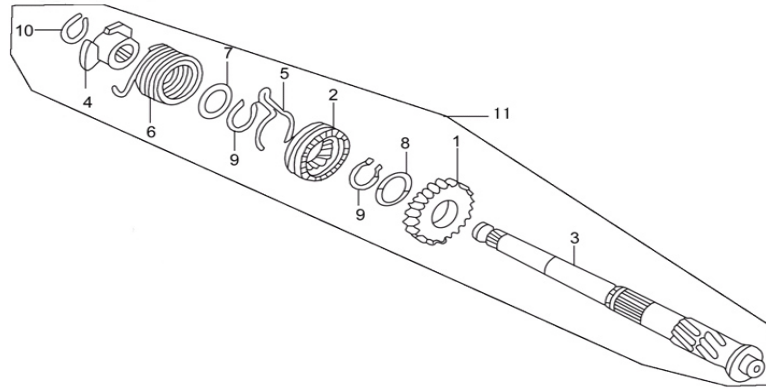
ITEM	PART NO.	中文名称	DESCRIPTION	QTY	ORDER QTY	UNIT PRICE
16	90561-FYIF3-100	尼龙线夹	Nylon clamp	1		
17	11251-FYIF3-000	过渡板	Board	1		
18	GB/T16674.1-M6*105-F5	螺栓M6×105	Bolt M6×105	1		
19	28105-FYIF3-000	铝垫片	Aluminum washer	1		
20	GB/T16674.1-M6*35-F5J	螺栓M6×35	Bolt M6×35	1		
21	90801-03042-004	起动离合器链轮油封30×42×1.5	Oil seal 30×42×1.5	1		
22	GB894.1-86-23000	挡圈23	Snap ring 23	2		
23	GB/T5783-2000-06008-B	螺栓M6×8	Bolt M6×8	1		
24	GB/T70.1-2000-06014-B	螺钉M6×14	Bolt M6×14	3		
25	28120-FYIF3-000	起动离合器装配组合	Starting clutch Assy	1		
26	28121-FYIF3-000	起动离合器链轮组合	Sprocket set	1		
27	GB/T859-85-06010	弹性垫圈6	Spring washer 6	3		
28	28114-FYIF3-000	离合器链轮焊接组合 (44Z)	Clutch sprocket weldment (44Z)	1		

E-17 起动电机 (Starting motor)



ITEM	PART NO.	中文名称	DESCRIPTION	Q'TY	ORDER QTY	UNIT PRICE
1	31200-FYIF3-000	起动电机	Starting Motor	1		
2	90103-06030-00F5J	螺栓M6×30	Bolt M6×30	2		

E-18 反冲起动机构 (Kick-Starter)



ITEM	PART NO.	中文名称	DESCRIPTION	QTY	ORDER QTY	UNIT PRICE
1	28114--FYIF3-000	起动齿轮	Gear , Start	1		
2	28119-FYIF3-000	棘轮	Ratchet	1		
3	28112-FYIF3-000	起动轴	Shaft , Start	1		
4	28115-FYGF-000	弹簧座	Base Spring	1		
5	28167-FYIF3-000	起动齿轮摩擦弹簧	Friction Spring	1		
6	28116-FYIF3-000	起动回位弹簧	Torsion Spring	1		
7	28103-FYIF3-000	垫圈 (一)	WasherI	1		
8	28103-FYIF3-001	垫圈 (二)	WasherII	1		
9	GB/T894.1-20-O	轴用弹性挡圈 - A型	Snap Ring I	2		
10	GB/T894.1-20-O	轴用弹性挡圈 - A型	Snap Ring II	1		
11	28100-FYIF3-000	起动轴总成	Start Shaft	1		