

FIG.1

Ref.No.	Part No.	Description
1	11110QM09000	Head assy, cylinder
2		
3	09206Q080806	Pin 8×11
4	GB5789-86	Bolt M6×60
5	09241Q380801	Plug
6	11115QM09000	Guide, valve
7	09402Q462007	Clamp
8	11141QM09000	Gasket cylinder head
9	09206Q130803	Pin 13×18
10	GB5789-86	Bolt M6×48
11	GB802-88	Nut
12	09159Q100803	Nut M10
13	09160Q100802	Washer
14	09159Q100803	Nut M10
15	09160Q100802	Washer
16	09159Q100804	Nut M10
17	09160Q100803	Washer
18	11151QM09000	Pad,Rubber
19	09482Q000818	Spark plug
20	11175QK01000	Cap,inspection
21	09280Q290802	O-Rng 3.0×29.5
22	13110QM09000	Gasket
23		O-ring 3.0×46

FIG.1

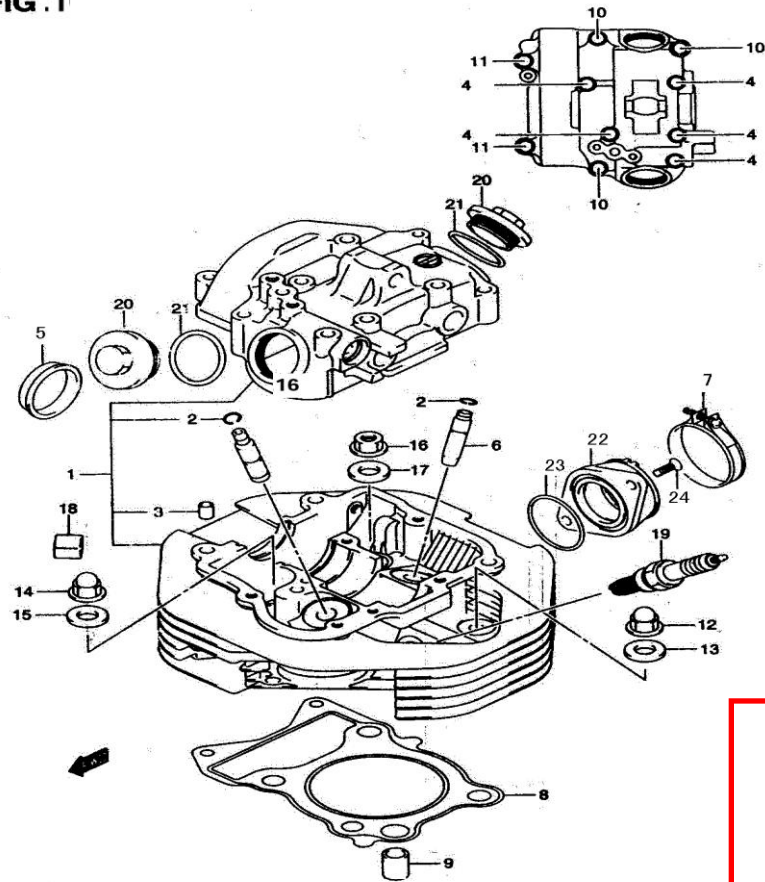


FIG.2

Ref.No.	Part No.	Description
1	11210QM09000	Cylinder
2	09108Q100802	Stud bolt L:166
3	09108Q100801	Stud bolt L:161
4	09108Q060820	Stud bolt L:191
5	11241QM09000	Gasket,cylinder
6	09206Q130803	Pin 13×18

FIG.2

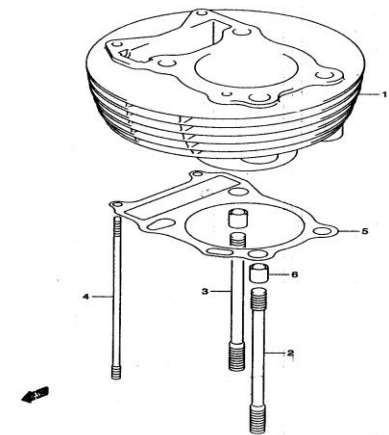


FIG.3

Ref.No.	Part No.	Description
1	11300QM09000	Crankcase
2	09206Q130803	Pin 13×18
3	GB5787-86	Bolt M6×35
4	GB5787-86	Bolt M6×45
5	GB5787-86	Bolt M6×55
6	GB5787-86	Bolt M6×60
7	GB5787-86	Bolt M6×70
8	09280Q090805	O-ring
9	09280Q060803	O-ring

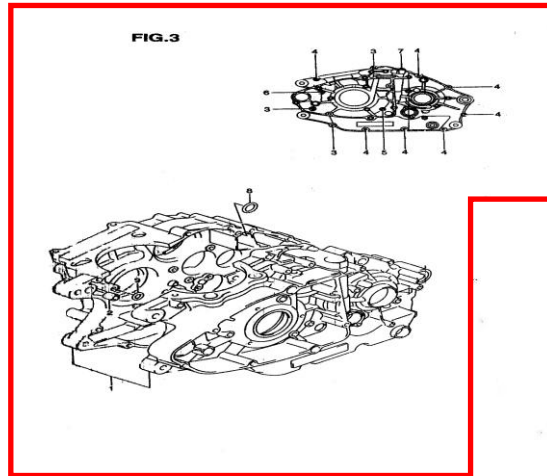


FIG.4

Ref.No.	Part No.	Description
1	11341QM09000	Cover, clutch
2	11482QM09000	Gasket, clutch cover
3	11971QK01000	Lens, oil level
4	09206Q130803	Pin 13×18
5	GB5787-86	Bolt M6×30
6	GB5787-86	Bolt M6×45
7	GB5787-86	Bolt M5×45
8	09259Q200802	Plug, oil filler
9	09280Q160802	O-Ring
10	09247Q140805	Plug, oil check
11	09168Q130801	Gasket
12	11351QM09000	Cover, magneto
13	11483QM09000	Gasket, magneto
14	09206Q130803	Pin 13×18
15	GB5787-86	Bolt 6×25
16	GB5787-86	Bolt 6×35
17	GB5787-86	Bolt M6×50
18	GB5787-86	Bolt M6×60
19	09247Q120802	Plug, T.D.C
20	09168Q110801	Gasket
21	09247Q360801	Plug, T.D.C

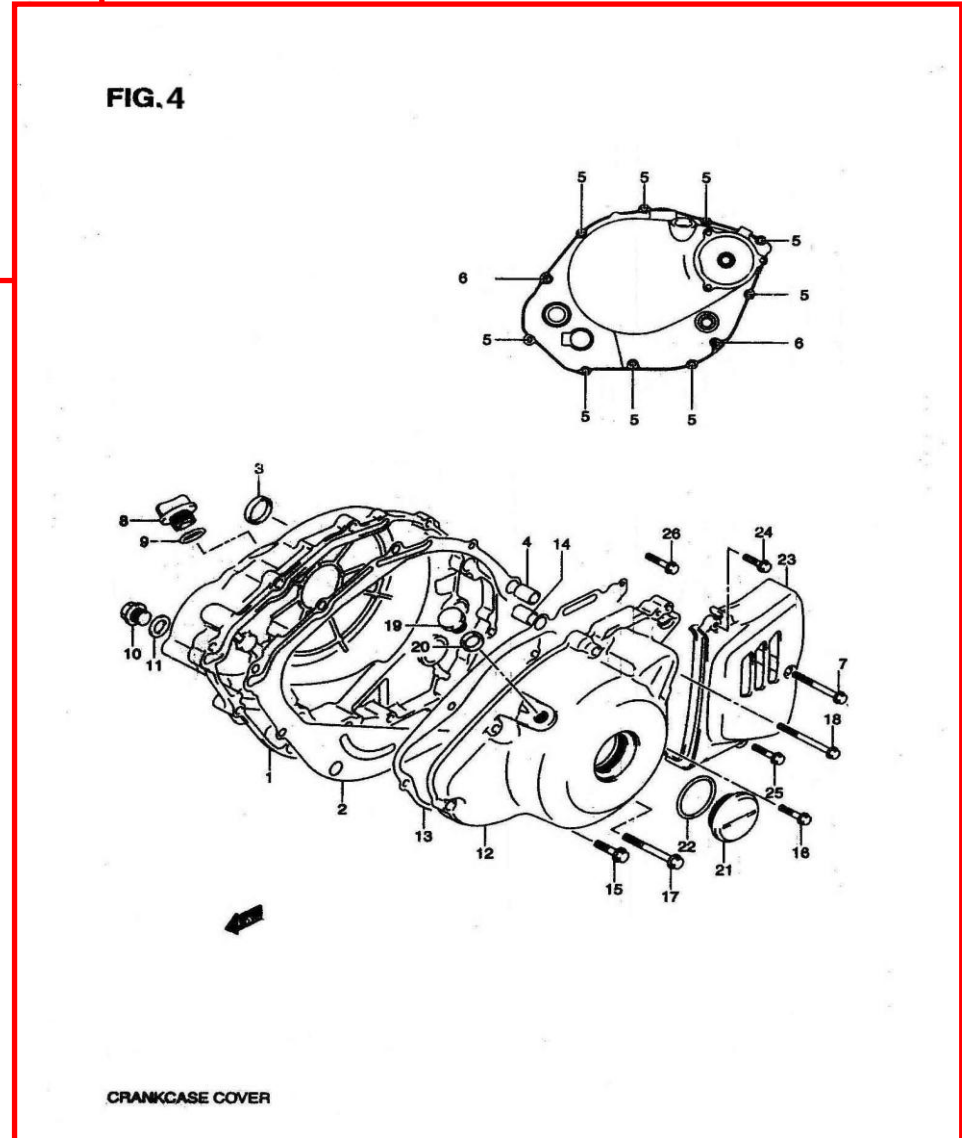


FIG.4

22	09280Q320801	O-ring
23	11361QM09000	Cover,engine
24	GB5787-86	Bolt M5×20
25	GB5787-86	Bolt M5×30
26	GB5787-86	Bolt M5×30

FIG.5

Ref.No.	Part No.	Description
1	12200QM09000	Crankshaft assy
2	12161QM09000	Rod set, connecting
3	12211QM09000	Pin
4	09263Q310802	Bearing
5	09181Q310801	Washer
6	12221QM09000	Crankshaft, RH
7	12261QM09000	Crankshaft, LH
8	12661QM09000	
9	K172FMM.03.1-07	Pin
10	GB/T276-1994	Bearing, RH
11	GB/T276-1994	Bearing, LH
12	GB5783-1986	Bolt M12×16
13	09169Q360801	Washer
14	K172FMM.03-17	
15	GB819-1985	Bolt M5×10
16	12742QM09000	Driver belt
17	09422Q080801	Key
18	21111QM09000	Face, fixed driver
19	09283Q140805	Oil seal
20	09164Q200801	Washer
21	09421Q120801	Key
22	12111QM09000	Piston
23	12140QM09000	Ring
24	12151QM09000	Pin, piston
25	09381Q200801	

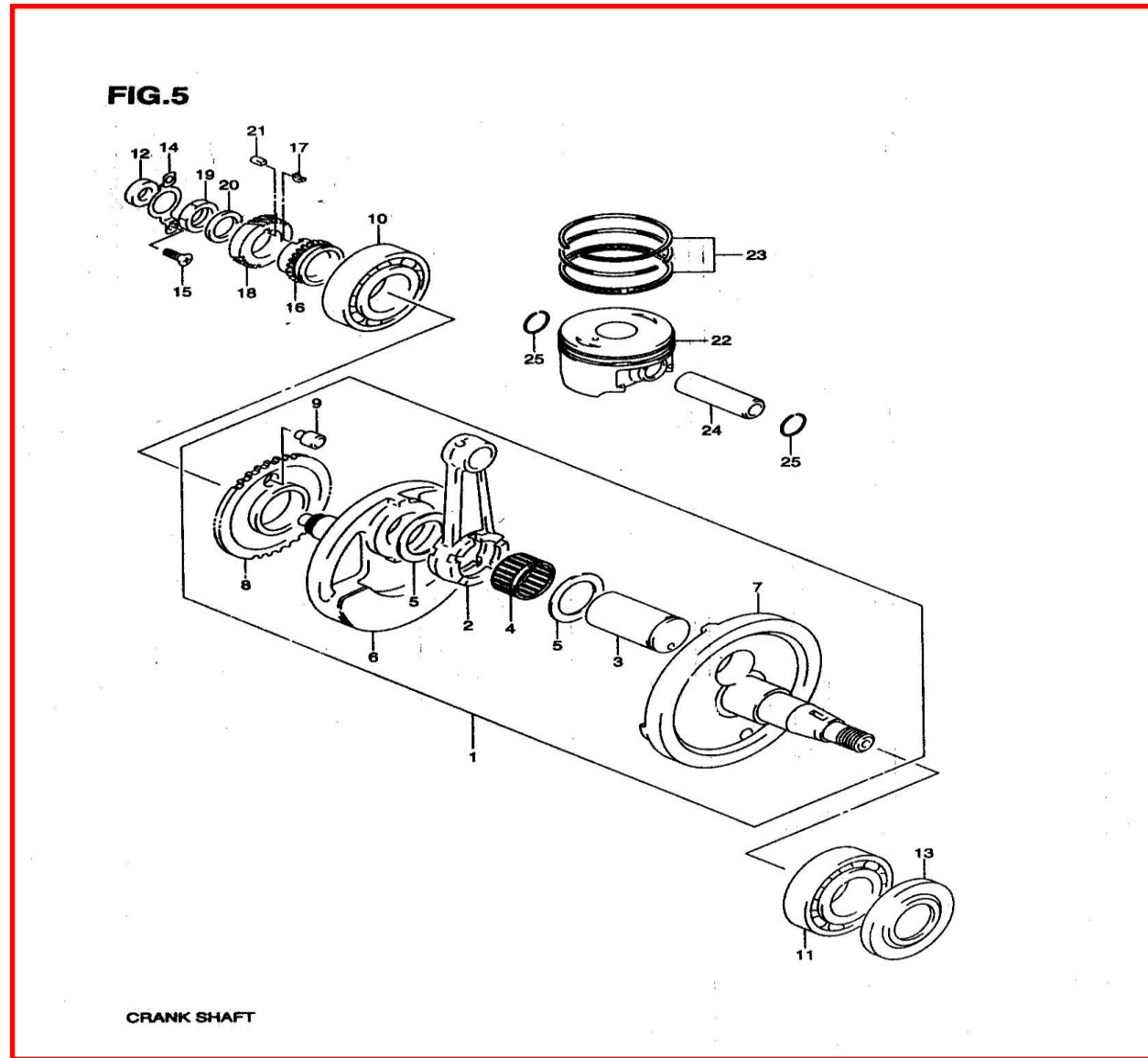


FIG.6

Ref.No.	Part No.	Description
1	26261QM09000	Gear, starter idle
2	24151QM09000	Pin
3	12600QM09000	Clutch set, starter
4		
5		
6		
7	09100Q080804	Bolt
8	12649QM09000	Hub plate
9	09160Q270801	Washer
10	09263Q270801	Bearing
11	09285Q520801	Oil seal

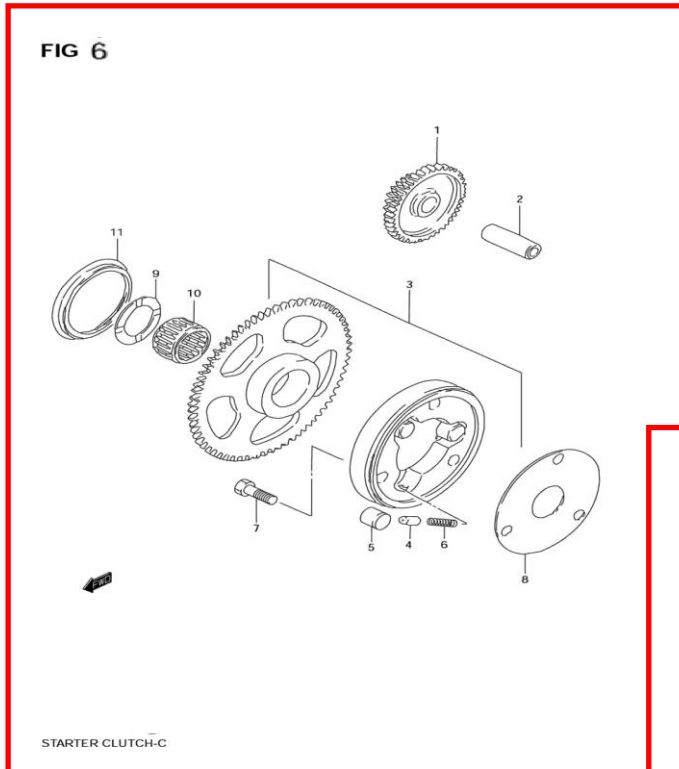


FIG.7

Ref.No.	Part No.	Description
1	12711QM09000	Cam shaft
2	12741QM09000	Sprocket
3	09206Q080806	Pin
4	09202Q050802	Pin
5	09106Q060803	BoltM6×12
6	09390Q300801	C- Ring
7	12840QM09000	Arm, valve rocker
8	12842QK01000	Screw
9	12843QK01000	Nut
10	12861QM09000	Shaft, rocker arm
11	09280Q080803	O-Ring
12	09164Q120806	O-Ring Wave
13	12912QM09000	Valve, exhaust
14	12911QM09000	Valve, intake
15	12922QM09000	Spring , valve
16	12931QK01000	Retainer, spring
17	12932QK01010	Cotter, valve
18	12933QM09000	Seat, spring
19	09284Q050801	Oil seal

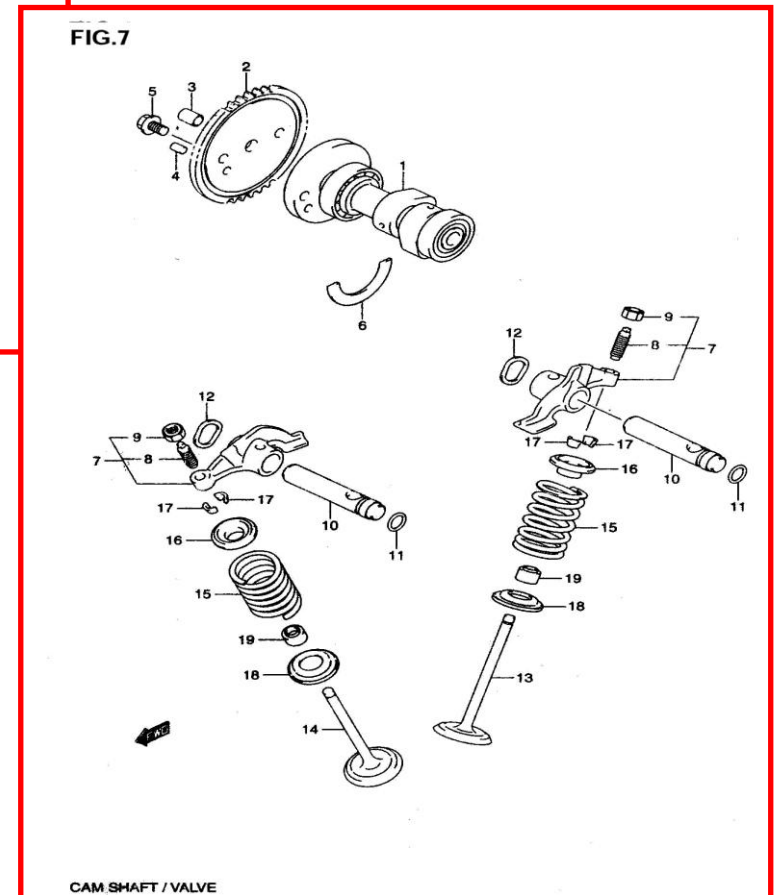
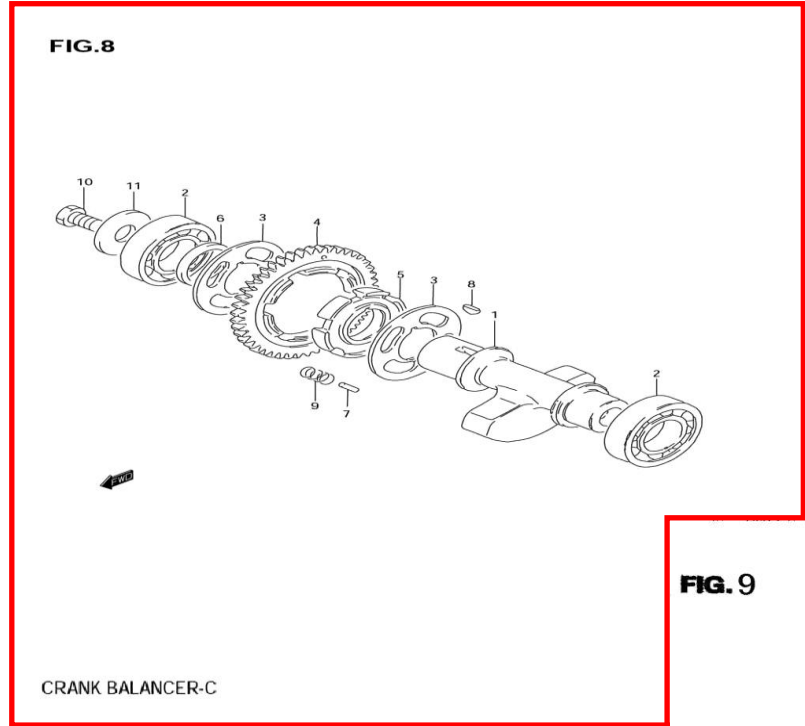


FIG.8

Ref.No.	Part No.	Description
1	12651QM09000	Crank balancer
2	GB/T276-94	Bearing 6305
3	12652QM09000	Washer balancer
4	12666QM09000	Drivengear,crank
5	12667QM09000	
6	09181Q250809	Washer
7	09202Q040805	Pin
8	GB1099-79	Key
9	09440Q090802	Spring
10	GB5783-86	Bolt
11	09160Q120806	Washer

**FIG.9**

Ref.No.	Part No.	Description
1	12771QM09000	Chain, cam shaft
2	12771QM09000	Guide, cam chain
3	12771QM09000	Tensioner, cam
4	12812QK01000	Bolt
5	09168Q080806	Washer
6	12830QM09000	Adjuster assy,
7	12837QK01000	Gasket, adjuster
8	GB5783-86	Bolt M6×20

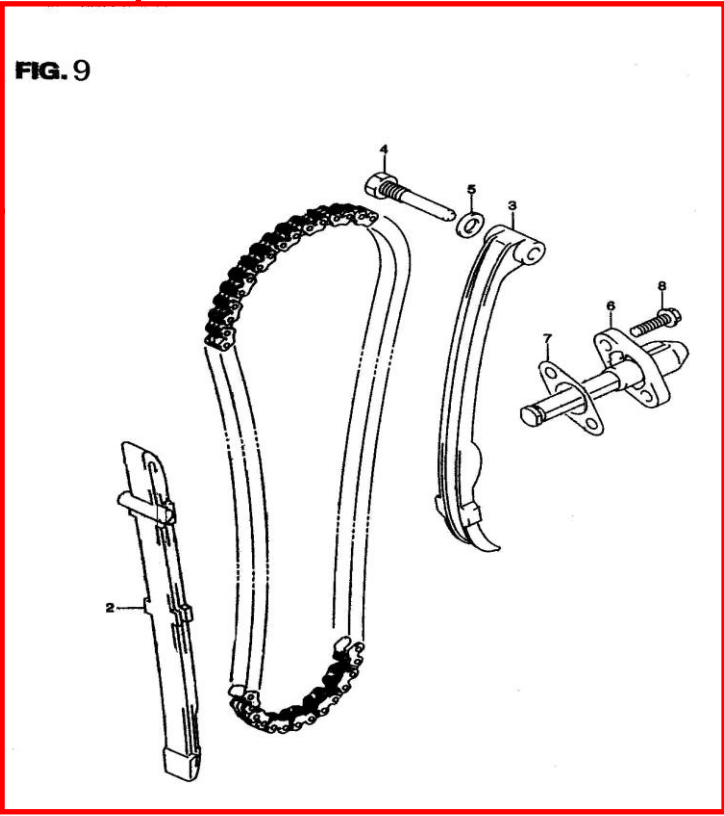
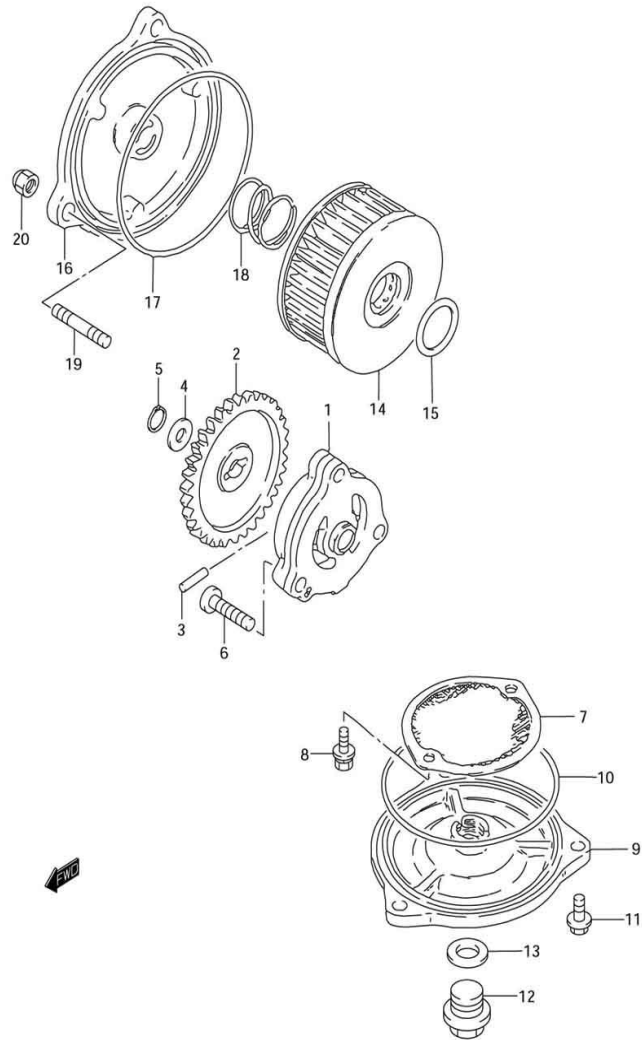


FIG.10

Ref.No.	Part No.	Description
1	16100QM09000	Pump, engine oil
2	16331QM09000	Gear, driven
3	09202Q040806	Pin
4	09160Q100807	Washer
5	GB894.1-86	
6	GB818-85	Screw M6×25
7	16520QM09000	Strainer, engine oil
8	GB9074.1-88	Screw M5×12
9	16523QM09000	Cap
10	09280Q810801	O-Ring
11	GB5787-86	Bolt M6×20
12	09247Q140804	Plug, drain
13	09168Q130801	Gasket
14	16510QM09000	Filter, engine oil
15	09280Q150804	O ring
16	16512QM09000	Cap,oil filter union
17	09280Q720801	O ring
18	09440Q210802	Spring
19	GB900-88	Bolt
20	GB802-88	Nut M6

FIG.10



OIL PUMP-C

FIG.11

Ref.No.	Part No.	Description
1	21221QM09000	Gear assy, primary
2	09181Q220802	Washer
3	21251QM09000	Spacer, clutch
4	21411QM09000	Hub, sleeve
5	09140Q220801	Nut M22×1.5
6	09167Q220801	Washer
8	21441QM09000	Plate, driven
9	21442QM09000	Plate, driven
10	09181Q000801	Washer
11	09181Q000801	Washer
12	21442QM09000	Plate, driven
13	21462QM09000	Disk, pressure
14	09440Q180803	Spring
15	09116Q060801	Bolt M6×20
16	16321QM09000	Gear, driven
17	05430Q031426	Circlips for holes
18	23110QM09000	Rod, push
19	23121QK01000	Pin
20	09263Q150807	Thrust, bearing
21	09160Q150801	Washer
22	K157FMI.05-03	Screw M6×25
23	09140Q060803	Nut M6
24	23122QM09000	Camshaft
25	09167Q220801	Washer
26	09283Q100804	Oil seal
27	23123QM09000	Washer
28	23271QM09000	Arm, release
29	01604Q060165	Bolt M6×16

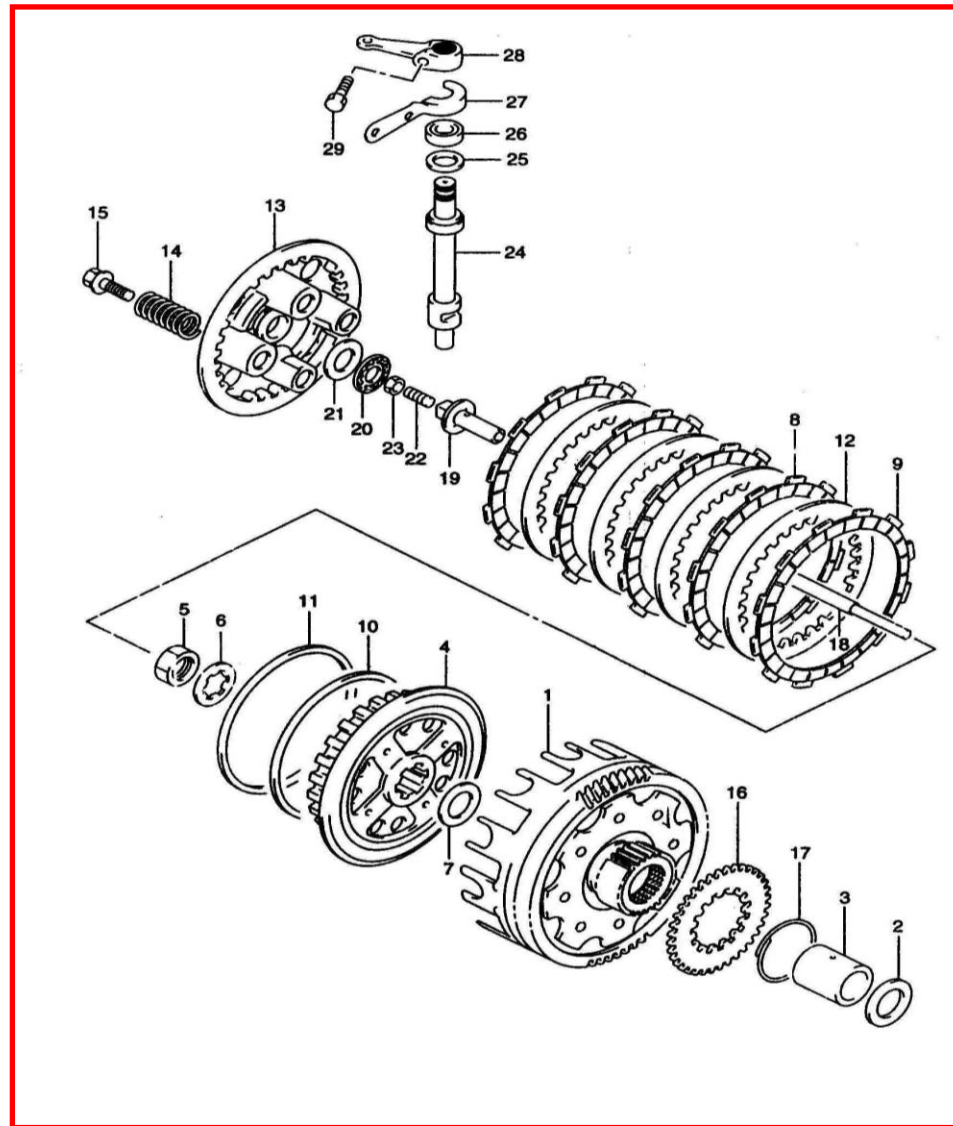


FIG.12

Ref.No.	Part No.	Description
1	K172FMM.04.1-00	
2	K172FML04.1-01	Bush
3	K172FMM.04-01	Gear, 2 nd drive
4	K172FMM.04-03	Gear, 3 drive
5	K172FMM.04-02	Gear, 4 th drive
6	K172FMM.04-04	Gear, 5 th drive
7	05430Q021176	Circlips for holes
8	05510Q063A22	Bearing
9	05530Q006203	Bearing
10	24741QM09000	Holder, bearing
11	03414Q060121	Screw M6×12
12	K172FMM.04.2-00	Drive, shaft
13	K172FMM.04-08	Gear, 1 nd drive
14	K172FMM.04-09	Washer
15	K172FMM.04-09	Washer
16	K166FML04-13	Bearing
17	K172FMM.04-11	Gear, 2 th drive
18	K166FML04-09	Circlips for holes
19	K172FMM.04.3-00	Gear, 3 th drive
20	K166FML.04-11	Bolt M6×10
21	K166FML04-09	Circlips for holes
22	K172FMM04-11	Gear, 4 th drive
23	K172FMM04-10	Gear, 5 th drive
24	GB/T276-94	Bearing
25	GB/T276-94	Bearing
26	K172FMM.04-18	Washer
27		
28	09283Q300803	Oil seal
29	24751QM09000	Holder, bearing
30	GB5783-86	Bolt M6×12
31	K172FMM04.5-00	Idler pulley
32	K166FML04-06	Washer
33	K166FMI04-05	Bearing, RH
34	27511QM09000	Sprocket

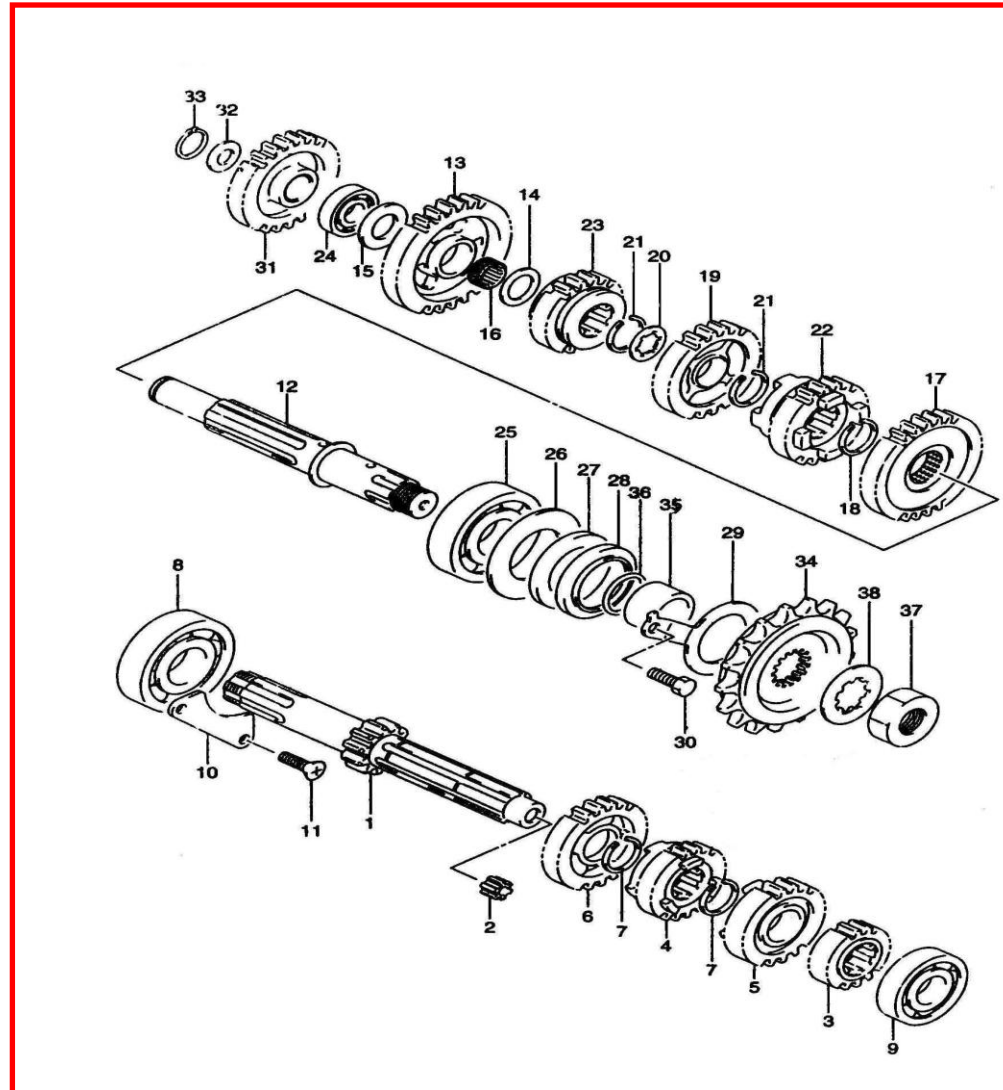


FIG.12

FIG.12

35	K172FMM.04-16	Spacer
36	K166FML04-19	O-ring
37	09143Q180801	Nut M18×1.5
38	27512QM09000	Washer

FIG.13

Ref.No.	Part No.	Description
1	25211QM09000	Fork, gear
2	25221QM09000	Fork, gear
3	25231QM09000	Fork, gear
4	25411QM09000	Shaft, fork
5	25310QM09000	Cam, gear shifting
6	25322QK01000	Gear cam driven
7	25323QK01000	Pawl, (1)
8	25324QK01000	Pawl, (2)
9	09202Q050803	Pin
10	09440Q040806	Spring
11	25331QM09000	Lifter, pawl
12	03424Q060121	Screw
13	25341QM09000	Guide, cam
14	03424Q060121	Screw
15	25350QM09000	Stopper, cam
16	29613QM09000	Spring
17	25351QK01000	Stopper, neutral
18	09247Q140805	Plug, cam stopper
19	09168Q130801	Washer
20	K166FML10-06	Spring
21	25381QK01000	Plate, stopper
22	04522Q040061	Pin4×6
23	25510QM09000	Shaft, gear shifting
24	09180Q120803	Spacer
25	09444Q260802	Spring
26	25671QK01000	Stopper, arm
27	09283Q120802	Oil seal

FIG.13

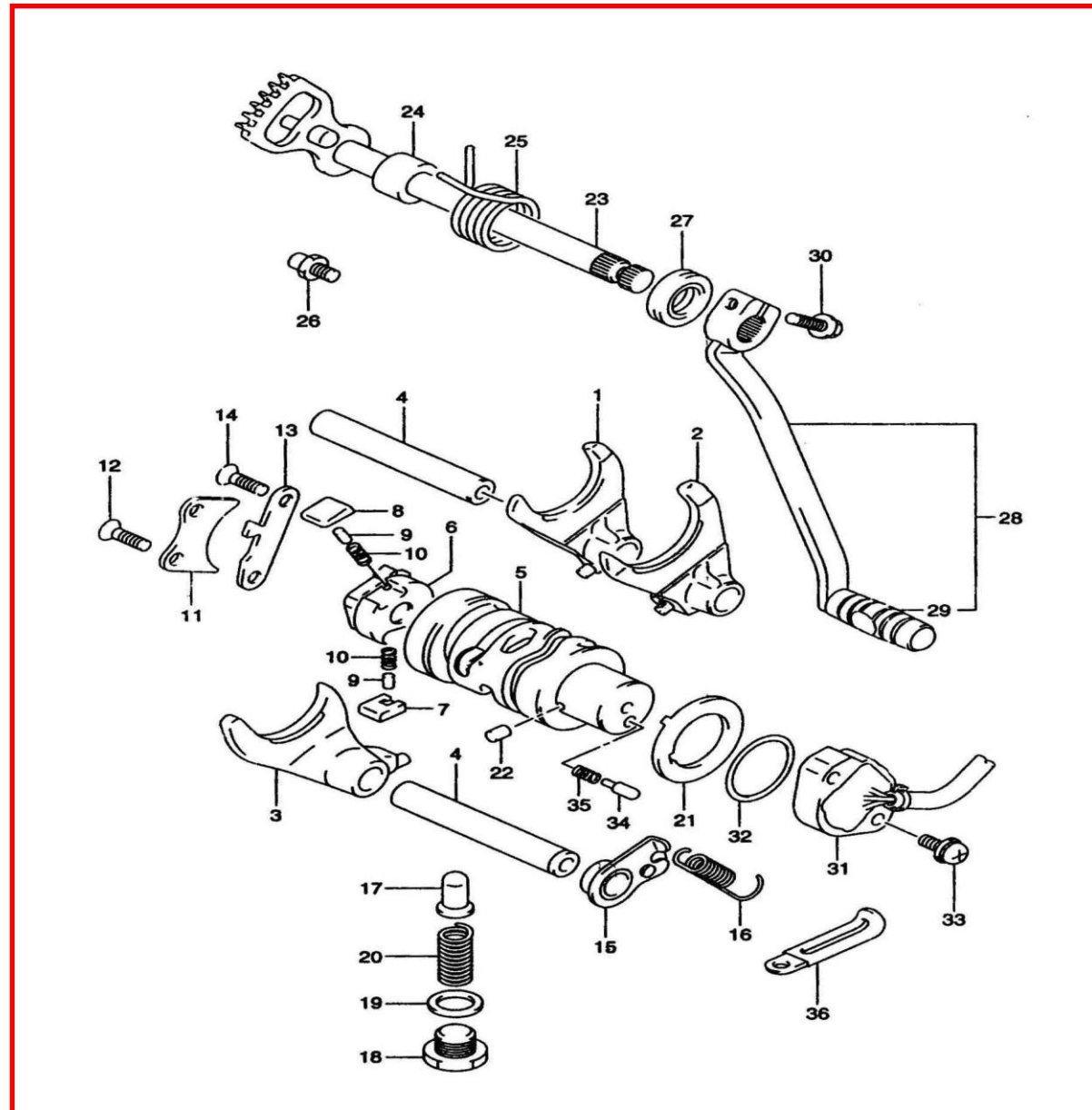


FIG.13

28	K172FMM.10.3-00	Lever assy
29	K172FMM.10.4-02	Cover
30	GB5783-86	Bolt M6×20
31	37720QK01000	Terminal base assy
32	09280Q260802	Arm
33	03414Q350201	Screw M5×20
34	09202Q050804	Contact
35	09440Q040804	Nut, R
36	09404Q066801	Clip

FIG.14

Ref.No.	Part No.	Description
1	31100QM09000	Motor assy, starting
2		Armature
3		
4		Washer
5		O-ring
6		Holder, brush
7		Spring
8		
9	K172FMM.06D.1-	
10		
11	K172FMM.06D.1-	O-Ring
12		Bolt
13		O-Ring
14	09280Q250804	O-Ring
15	GB5787-86	Bolt

FIG.14

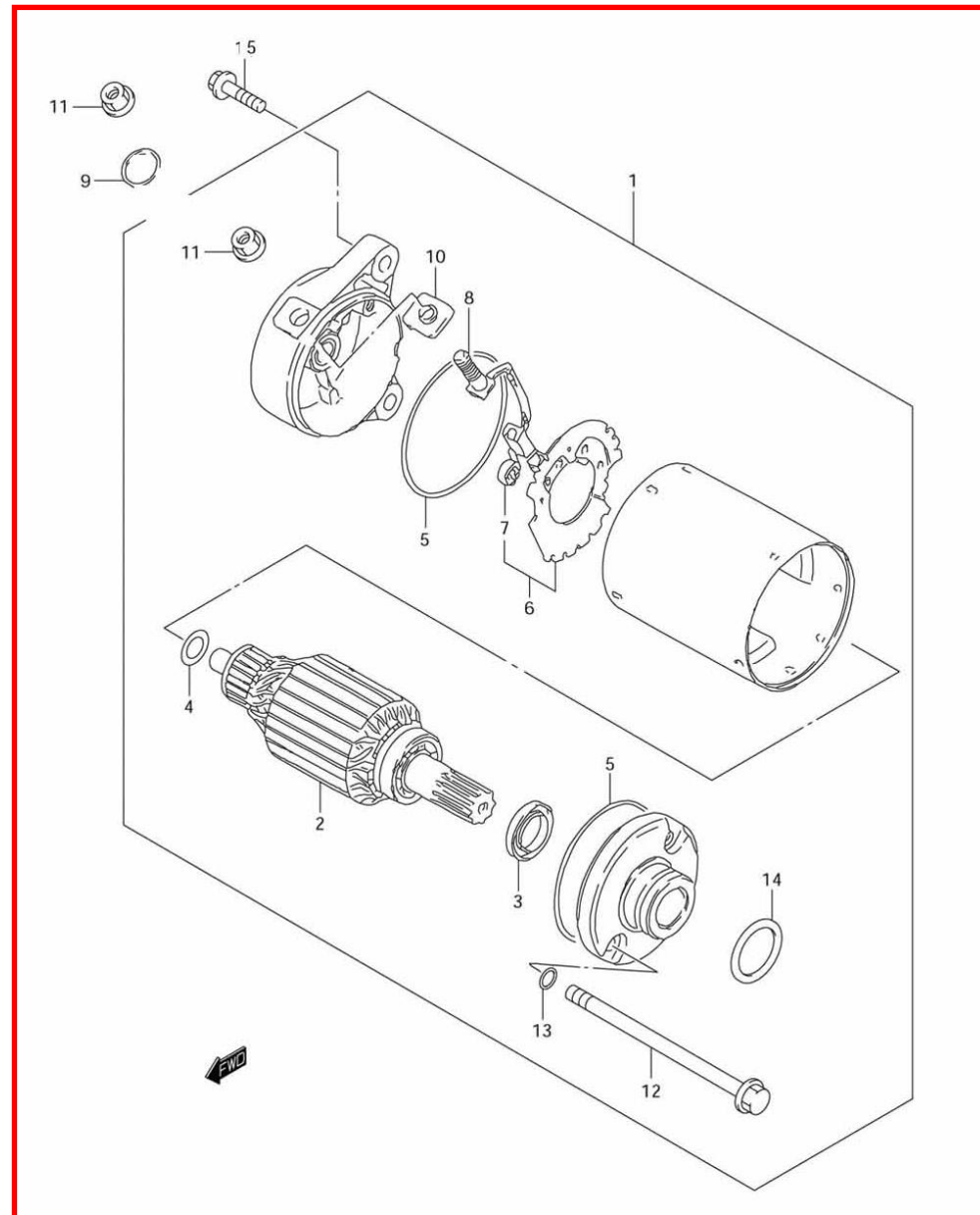


FIG.15

Ref.No.	Part No.	Description
1	32101QM09000	Stator assy
2	32102QM09000	Rotor, flywheel
3	GB818-2000	Screw M6×25
4	09159Q160803	Nut M16
5	GB1099-79	Key 3×13
6	GB/T70.1-2000	M5×12
7	11334QM09000	
8	K172FMM.07.2-00	

FIG.15

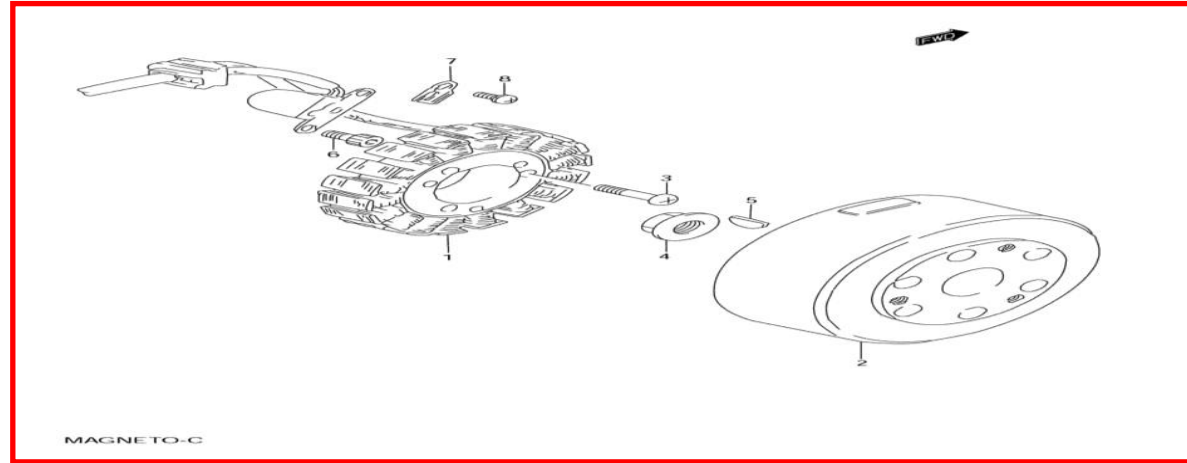


FIG.16

Ref.No.	Part No.	Description
1		Carburetor assy

FIG.16

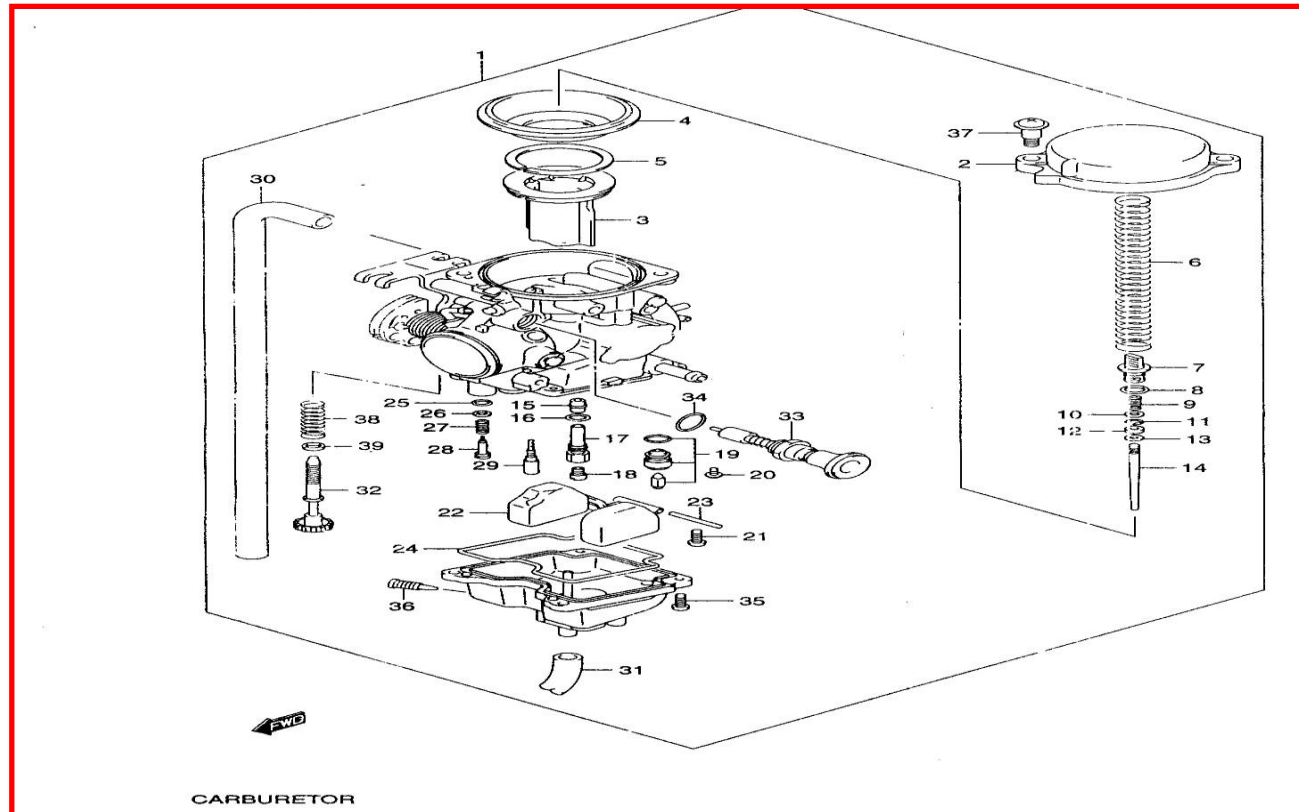


FIG.17

Ref.No.	Part No.	Description
1	<u>31800QLAZ000</u> GS125.73-00	Relay assy, starting
1A	<u>31800QMN2000</u> QM200GY-B.70-00	Relay assy, starting
2	<u>31801QLAZ000</u> QM125-2.73.1-00	Relay, starting
2A	<u>31801QMN2000</u> QM200GY-B.70.1-	Relay, starting
3	<u>31851QMN2000</u> QM200GY-B.70-1	Holder rubber, relay
4	<u>31861QLKK010</u> QM125-	Lead wire, starting motor
5	<u>05401Q011064</u> GB/T6170-2000	Nut M6
6	<u>31861QMN2000</u> QM200GY-B.70-2	Cover
7	<u>38600QLKD00</u> QM125-10N.72-00	Flasher

