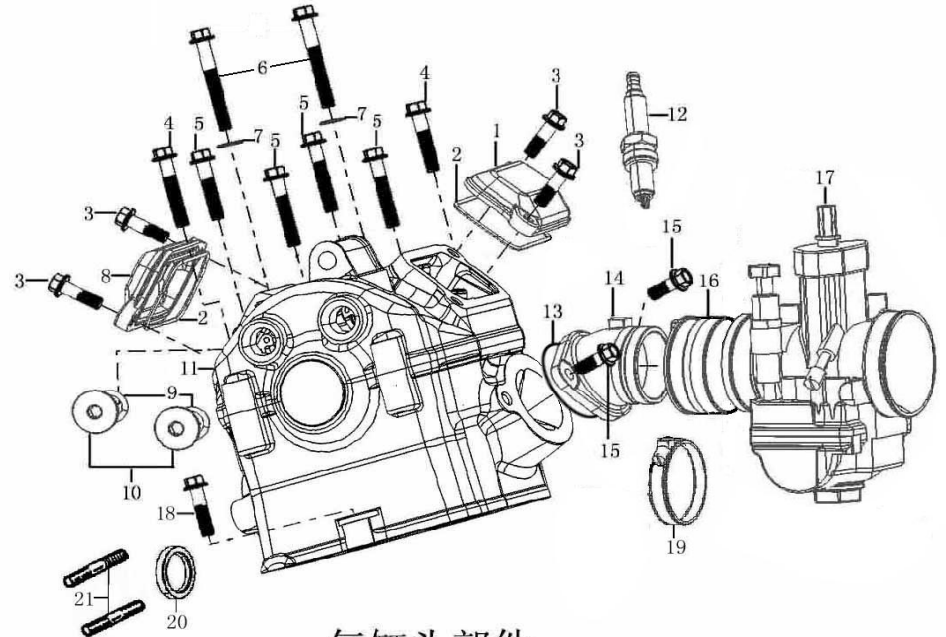


## E-1 CYLINDER HEAD ASSY

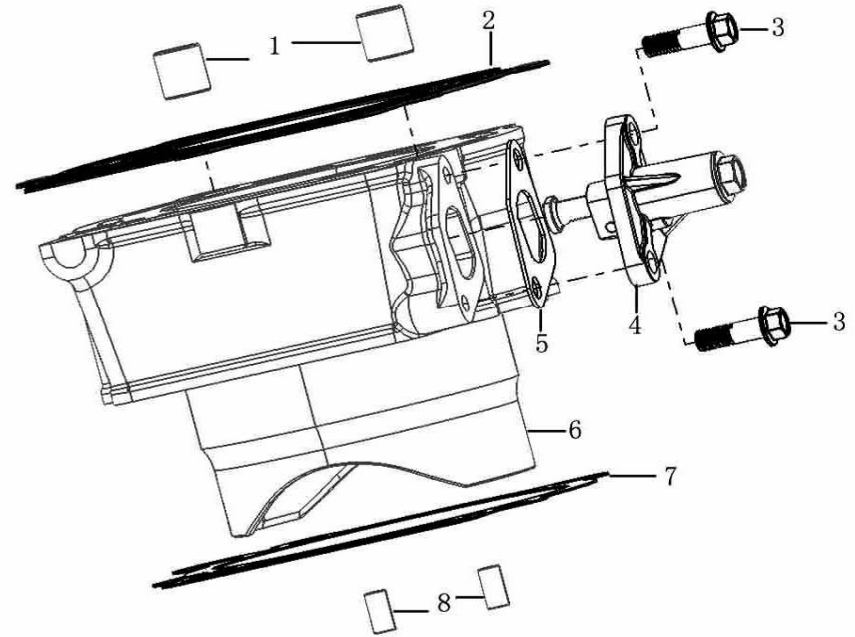
NO.	( PART CODE )	( DESCRIPTION )	QTY	REMARK
1	11230-ME30-00000W	COVER, VALVE CHAMBER	1	
2	90104-ME30-0000	RING	2	
3	B166740A06002070X	BOLT M6×20	4	
4	B166740A06003570X	BOLT M6×35	2	
5	B166740A06003070X	BOLT M6×30	4	
6	B166740A06006070X	BOLT M6×60	2	
7	93301-80651512000	WASHER 6.5×1.5×12	2	
8	11230-ME30-01000W	COVER, VALVE CHAMBER	1	
9	90101-30118000260	O-RING 11.8×2.6	2	
10	15415-ME30-0000	BOLT	2	
11	1122B-ME30-00000W	CYLINDER HEAD ASSY	1	
12	81300-BA81-0200	SPARK PLUG	1	
13	90101-30380000300	O-RING 38×3	1	
14	15800-ME30-0000	INLET PIPE	1	
15	B166740A06001670X	BOLT M6×16	2	
16	15838-ME30-0000	CONNECTING PIPE	1	
17	17100-ME30-0000	CARBURETOR	1	
18	B166740A06002570X	BOLT M6×25	1	
19	1583B-PE03-0000	CLAMP INLET PIPE	2	
20	18007-ME30-0000	PACKING SILENCER	1	
21	91138-I008-04000X	BOLT M8×40	2	
22				
23				
24				
25				
26				
27				
28				
29				
30				
31				
32				
33				
34				
35				
36				
37				
38				
39				
40				
41				
42				
43				
44				
45				



气缸头部件  
CYLINDER HEAD ASSY

## E-2 CYLINDER ASSEMBLY

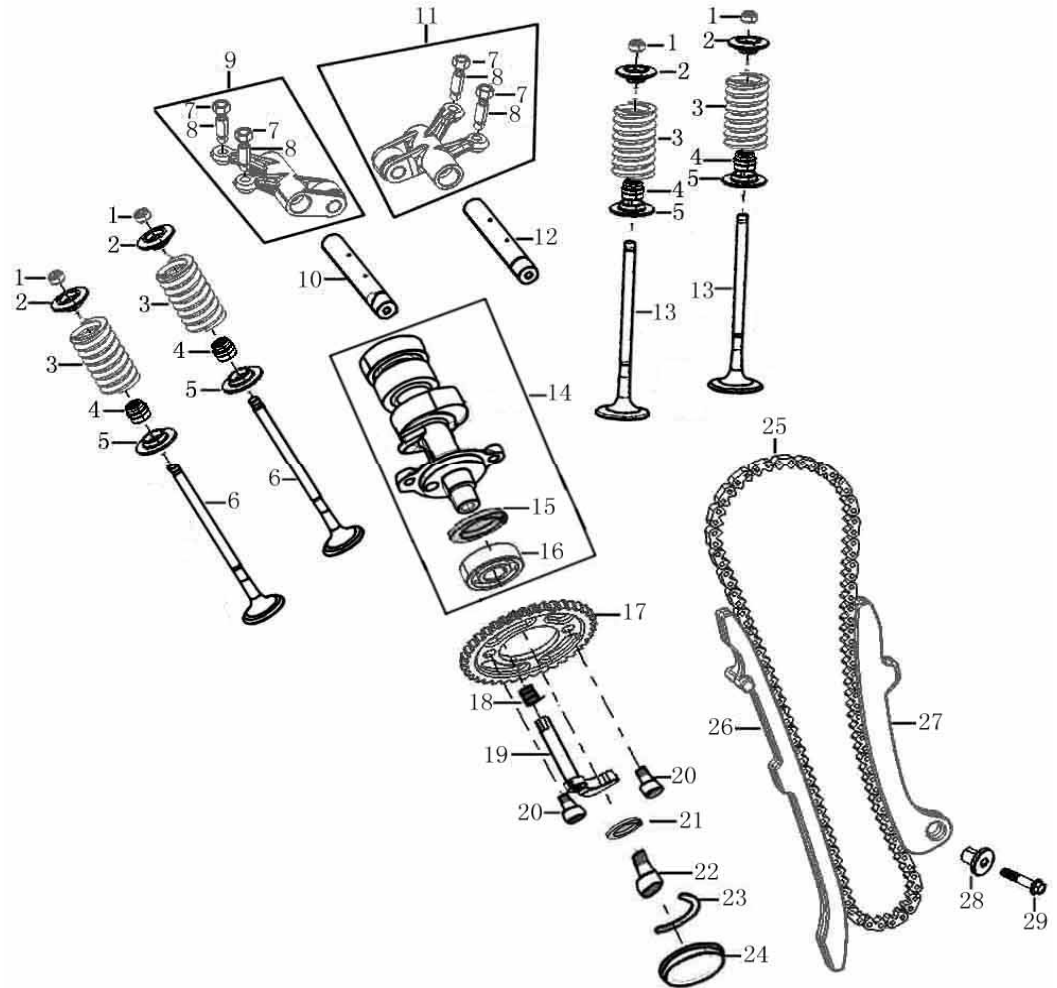
NO.	(PART CODE )	(DESCRIPTION )	QTY	REMARK
1	91521-13001400000	PIN 13×14	2	
2	9022B-ME30-0000	GASKET ASSY,CYLINDER HEAD	1	
3	B166740A06002070X	BOLT M6×20	2	
4	1554B-BA81-0000	PLUG OF TIGHTENER	1	
5	90211-BA81-0000	GASKET,TENSIONER	1	
6	1110B-ME30-00000W	CYLINDER BLOCK ASSEMBLY	1	
7	90205-ME30-0000	GASKET,CYLINDER BLOCK	1	
8	91522-06001200000	PIN 6×12	2	
9				
10				
11				
12				
13				
14				
15				
16				
17				
18				
19				
20				
21				
22				
23				
24				
25				
26				
27				
28				
29				
30				
31				
32				
33				
34				
35				
36				
37				
38				
39				
40				
41				
42				
43				
44				
45				



气缸体部件  
CYLINDER ASSEMBLY

### E-3 VALVE MECHANISM

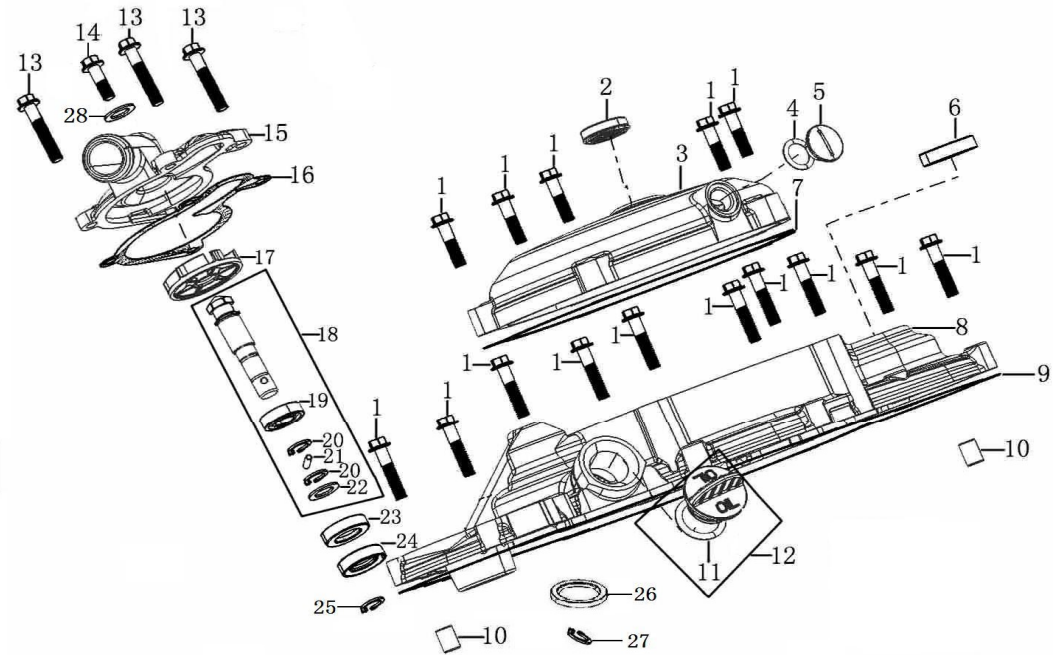
NO.	( PART CODE )	( DESCRIPTION )	QTY	REMARK
1	15707-BA81-0000	VALVE LOCKER	8	
2	15705-ME30-0000	SPRING SEAT	4	
3	15703-ME30-0000	VALVE OUTER SPRING	4	
4	1572B-BA81-0000	SEAL, VALVE STEM	4	
5	15706-ME30-0000	OUTER VALVE SPRING RETAINER	4	
6	15701-ME30-0000	INTAKE VALVE	2	
7	15403-BA81-0000	NUT, VALVE CLEARANCE	4	
8	15404-BA81-0000	SCREW, VALVE CLEARANCE	4	
9	1540A-ME30-0000	ROCKER ARM ASSEMBLY, VALVE	1	
10	15402-ME30-0000	ROCKER SHAFT	1	
11	1540A-ME30-0100	ROCKER ARM ASSEMBLY, VALVE	1	
12	15402-ME30-0100	ROCKER SHAFT	1	
13	15702-ME30-0000	EXHAUST VALVE	2	
14	15100-ME30-0000	GAMP SHAFT COMP	1	
15	15169-ME30-0000	WASHER	1	
16	92102-00000006201	BEARING (6201C3)	1	
17	15301-ME30-0000	TIMING DRIVEN SPROCKET	1	
18	15164-ME30-0000	DECOMPRESSION SPRING OF CAMSHAFT	1	
19	1516A-ME30-0000	CENTRIFUGAL MASS ASS.	1	
20	B000700106001070B	SCREW M6×10	2	
21	93301-5065151800N	WASHER 6.5×1.5×18	1	
22	B166740A06001670B	BOLT M6×16	1	
23	15108-ME30-0000	STOP PLATE, CAMSHAFT	1	
24	11264-ME30-0000	SEAL COLLOID OF CYLINDER HEAD	1	
25	1532B-L044-0000	SPROKET CHAIN	1	
26	1553A-ME30-0000	GUIDE PLATE CHAIN	1	
27	1552A-ME30-0000	TENSION PLATE ASSY	1	
28	15526-ME30-0000	BUSH	1	
29	B166740A05002570B	BOLT M5×25	1	
30				
31				
32				
33				
34				
35				
36				
37				
38				
39				
40				
41				
42				
43				
44				
45				



配气机构  
VALVE MECHANISM

## E-4 RIGHT CRANKCASE COVER

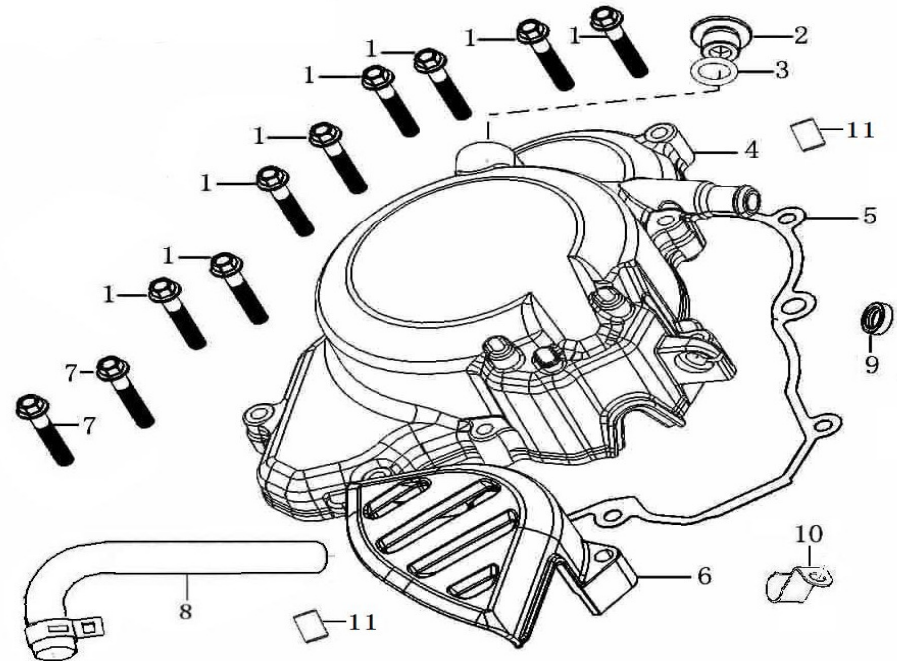
NO.	( PART CODE )	( DESCRIPTION )	QTY	REMARK
1	B166740A06003070X	BOLT M6×30	15	
2	12426-ME30-0000	OIL LELVE SIGHT WINDOW	1	
3	12425-ME30-00000W	DECORATE COVER ,R.CRANKCASE COVER	1	
4	90101-10132000265	O-RING 13.2×2.65	1	
5	12303-G011-00000W	CAP, SMALL VIEW HOLE	1	
6	90304-ME30-0000	OIL SEAL 18×30×7	1	
7	90228-ME30-0000	GASKET, DECOTATE COVER	1	
8	12421-ME30-00000W	COVER COMP. RIGHT CRANKCASE	1	
9	90206-ME30-0000	GASKET , R.CRANKCASE COVER	1	
10	91521-09001300000	PIN 9×13	2	
11	90101-30200000355	O-RING 20×3.55	1	
12	14311-ME30-0000	OIL PLUG ASSY	1	
13	B166740A06003570X	BOLT M6×35	3	
14	B166740A06002070X	BOLT M6×20	1	
15	19001-ME30-00000W	WATER PUMP COVER	1	
16	90217-ME30-0000	GASKET	1	
17	19002-ME30-0000	ANE WHEEL WATER PUMP	1	
18	19004-ME30-0000	SHAFT , WATER PUMP	1	
19	92102-00006900P63	BEARING(6900/P63)	1	
20	B0089401100000000	CIRCLIP 10	2	
21	91522-03001380000	PIN 3×13.8	1	
22	93301-11021017000	WASHER 10.2×1×17	1	
23	19012-ME30-0000	WATER PUMP SEAL	1	
24	90326-ME30-0000	OIL SEAL 12×24×6	1	
25	B0089301220000000	CIRCLIP 22	1	
26	90302-RE08-0000	OIL-SEAL 14×24×7	1	
27	B0089301240000000	CIRCLIP 24	1	
28	93301-80651512000	WASHER 6.5×1.5×12	1	
29				
30				
31				
32				
33				
34				
35				
36				
37				
38				
39				
40				
41				
42				
43				
44				
45				



右曲轴箱盖  
RIGHT CRANKCASE COVER

## E-5 LEFT CRANKCASE COVER

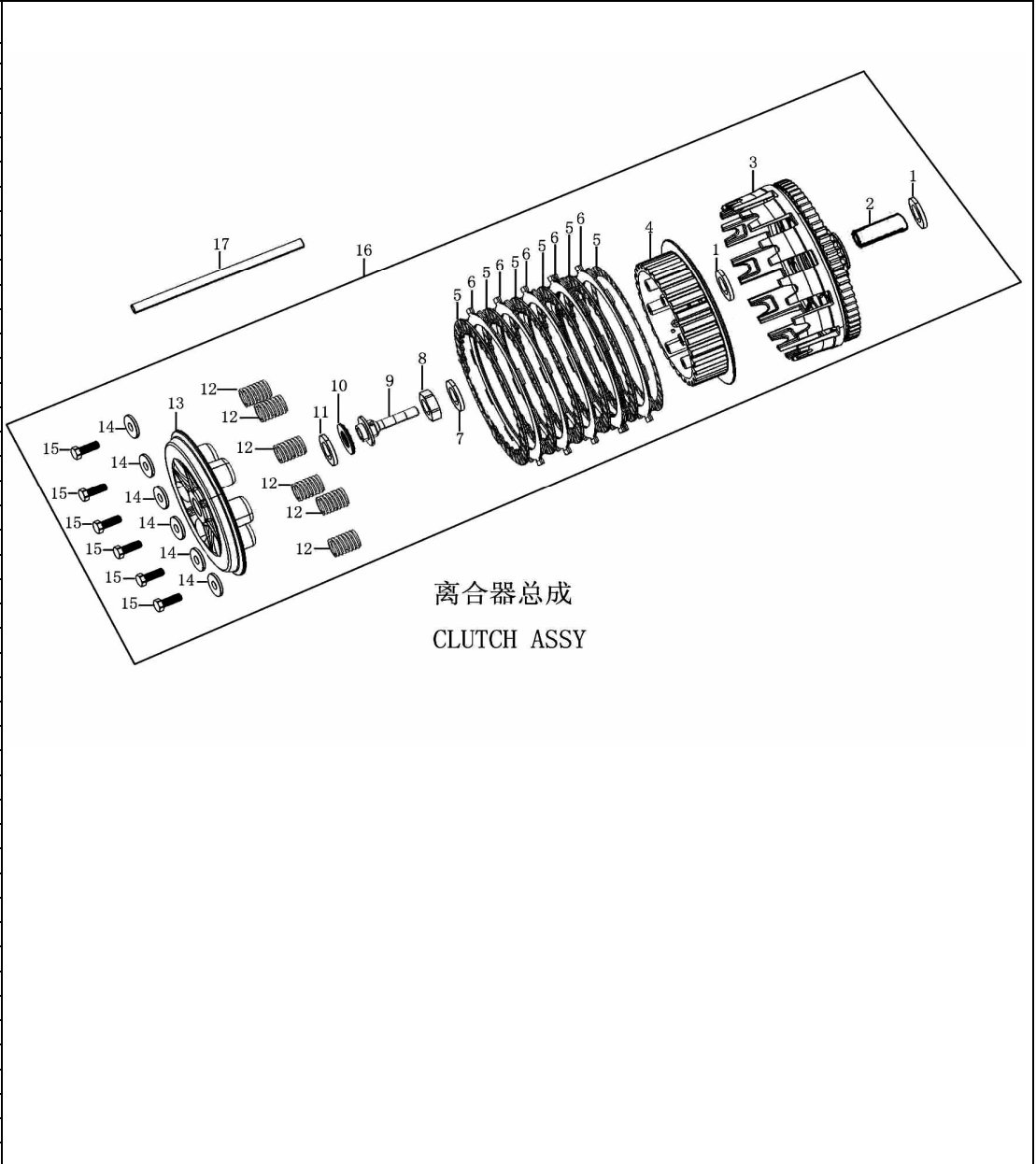
NO.	( PART CODE )	( DESCRIPTION )	QTY	REMARK
1	B166740A06003570X	BOLT M6×35	8	
2	15415-ME30-0000	BOLT M14×1	1	
3	90101-30118000260	O-RING 11.8×2.6	1	
4	12301-ME30-00000W	FRONT PART , L.CRANKCASE COVER	1	
5	90207-ME30-0000	GASKET, CYLINDER HEAD UPPER COVER	1	
6	12302-ME30-0000	BACK PART , L.CRANKCASE COVER	1	
7	B166740A06003070X	BOLT M6×30	2	
8	12130-I008-0001	BREATH TUBE	1	
9	90302-H092-0000	OIL-SEAL 10×18×6	1	
10	12305-PE03-01000G	FIXING PLATE, MAGNETO CABLE	1	
11	91521-09001300000	PIN 9×13	2	
12				
13				
14				
15				
16				
17				
18				
19				
20				
21				
22				
23				
24				
25				
26				
27				
28				
29				
30				
31				
32				
33				
34				
35				
36				
37				
38				
39				
40				
41				
42				
43				
44				
45				



左曲轴箱盖  
LEFT CRANKCASE COVER

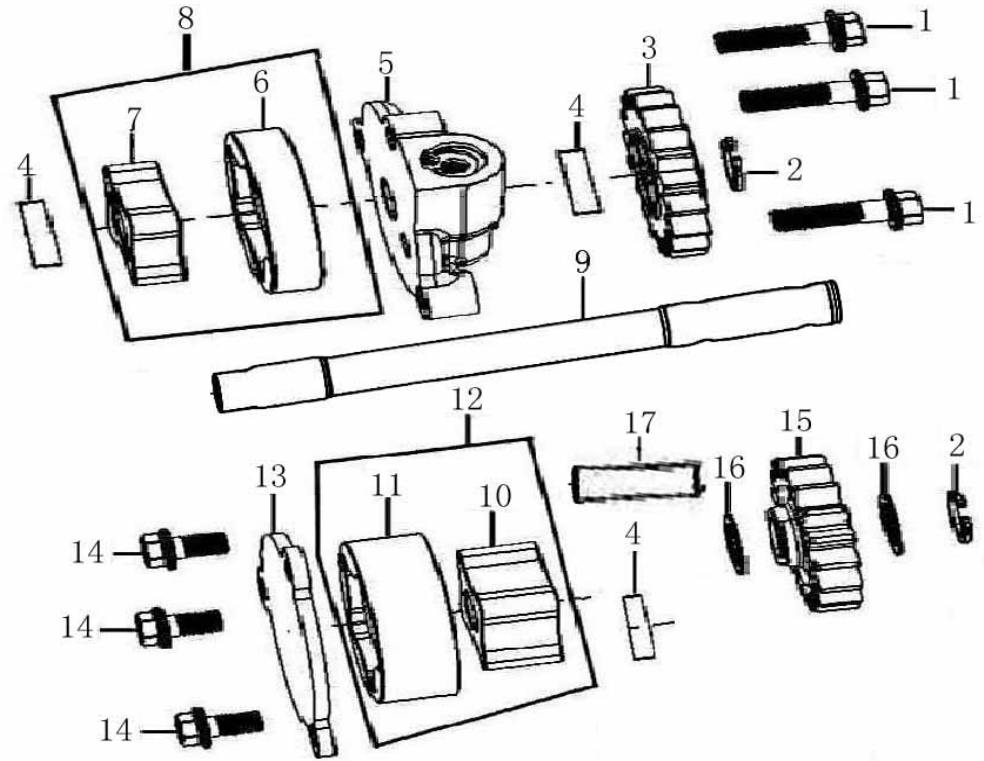
## E-6 CLUTCH ASSY

NO.	(PART CODE)	(DESCRIPTION)	QTY	REMARK
1	93301-52021834000	WASHER 20.2×1.8×34	2	
2	22104-ME30-0000	SLEEVE, CLUTCH	1	
3	22150-ME30-0000	OUT CASE ASSEMBLY, CLUTCH	1	
4	22105-ME30-0000	CENTER SLEEVE, CLUTCH	1	
5	22214-ME30-0000	DRIVE FRICTION DISK	6	
6	22215-ME30-0000	OUTER FRICTION DISK A	5	
7	22004-I006-0000	WASHER 16.5×2×27	1	
8	91202-ME30-0000	NUT M16×1	1	
9	22314-ME30-0000	ROD, CLUTCH PUSH	1	
10	92102-I093-0000	BEARING (AXK1528)	1	
11	93301-51501028000	WASHER 15×1×28	1	
12	22142-ME30-0000	SPRING, CLUTCH	5	
13	22122-ME30-0000	PRESSURE PLATE, CLUTCH	1	
14	93301-30522017000	WASHER 5.2×2×17	6	
15	B057830005002570B	BOLT M5×25	6	
16	22000-ME30-0000	CLUTCH ASSY	1	
17	22403-ME30-0000	PUSHING ROD, CLUTCH	1	
18				
19				
20				
21				
22				
23				
24				
25				
26				
27				
28				
29				
30				
31				
32				
33				
34				
35				
36				
37				
38				
39				
40				
41				
42				
43				
44				
45				



## E-7 OIL PUMP

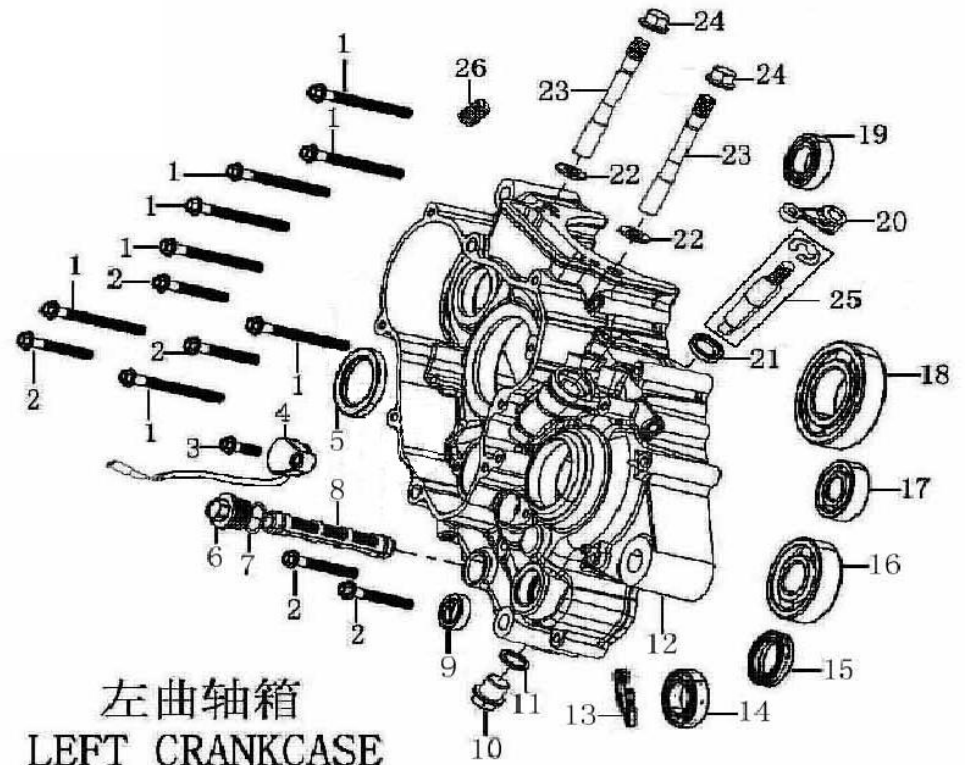
NO.	( PART CODE )	( DESCRIPTION )	QTY	REMARK
1	B166740A05001870B	BOLT M5×18	3	
2	B0089401100000000	CIRCLIP 10	2	
3	1410B-ME30-0000	OIL PUMP GEAR ASS.	1	
4	91522-04001580000	PIN 4×15.8	2	
5	14108-ME30-0100	OIL PUMP COVER	1	
6	14112-ME30-0000	OUTER ROTOR, OIL PUMP	1	
7	14111-ME30-0000	INNER ROTOR, OIL PUMP	1	
8	14120-ME30-0100	OIL PUMP ROTOR	1	
9	14107-ME30-0000	SHAFT,OIL PUMP	1	
10	14111-ME30-0100	INNER ROTOR, OIL PUMP	1	
11	14112-ME30-0100	INNER ROTOR, OIL PUMP	1	
12	14120-ME30-0200	OIL PUMP ROTOR	1	
13	14108-ME30-0000	OIL PUMP COVER	1	
14	B166740A05001070B	BOLT M5×10	3	
15	14135-ME30-0000	OIL PUMP GEAR	1	
16	93301-51020515000	WASHER 10.2×0.5×15	2	
17	14134-ME30-0000	OIL PUMP GEAR SHAFT	1	
18				
19				
20				
21				
22				
23				
24				
25				
26				
27				
28				
29				
30				
31				
32				
33				
34				
35				
36				
37				
38				
39				
40				
41				
42				
43				
44				
45				



机油泵部件  
OIL PUMP

## E-8 LEFT CRANKCASE

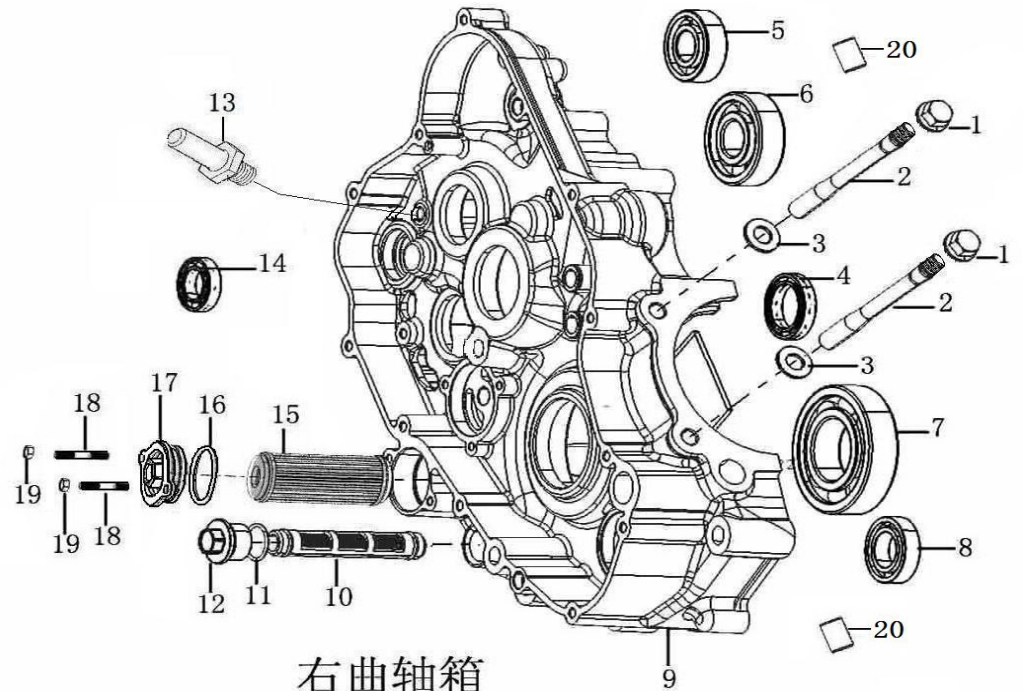
NO.	( PART CODE )	( DESCRIPTION )	QTY	REMARK
1	B166740A06006570X	BOLT M6×65	8	
2	B166740A06004570X	BOLT M6×45	5	
3	B008190106002020X	SCREW M6×20	1	
4	88031-JZ52-150055	GEARSHIFT SWITCH COMP	1	
5	90303-ME30-0000	OIL SEAL 32×47×6	1	
6	14305-ME30-00000H	COVER, OIL FILTER SCREEN	1	
7	90101-30175000180	O-RING 17.5×1.8	1	
8	1431B-ME30-0000	STRAINER,OIL FILTER	1	
9	90345-PE03-0000	OIL SEAL 15×25×5	1	
10	91103-RE08-00000X	OIL DRAIN PLUG	1	
11	93301-81451520000	WASHER 14.5×1.5×20	1	
12	1212B-ME30-00000W	LEFT CRANKCASE BLOCK	1	
13	B0089301280000000	CIRCLIP 28	1	
14	92102-00000061902	BEARING (61902)	1	
15	92102-00000061805	BEARING (61805)	1	
16	92102-0006322P516	BEARING (63/22/P5/16)	1	
17	92102-00006203P63	BEARING (6003/P53)	1	
18	92102-000QSTM6207	BEARING (QSTM6207)	1	
19	92102-000006004CM	BEARING (6004CM NSK)	1	
20	22312-ME30-0000	ROCKER ARM, RELEASE LEVER, CLUTCH	1	
21	90305-I008-0100	OIL SEAL 14×22×5	1	
22	93301-5105202000N	WASHER 10.5×2×20	2	
23	91101-ME30-0000	CYLINDER STUD BOLT A	2	
24	91212-RE08-00000X	NUT M10×1.25	2	
25	22313-ME30-0000	CLUTCH SEPARATING ROD	1	
26	92202-ME30-0000	OIL NOZZLE	1	
27				
28				
29				
30				
31				
32				
33				
34				
35				
36				
37				
38				
39				
40				
41				
42				
43				
44				
45				





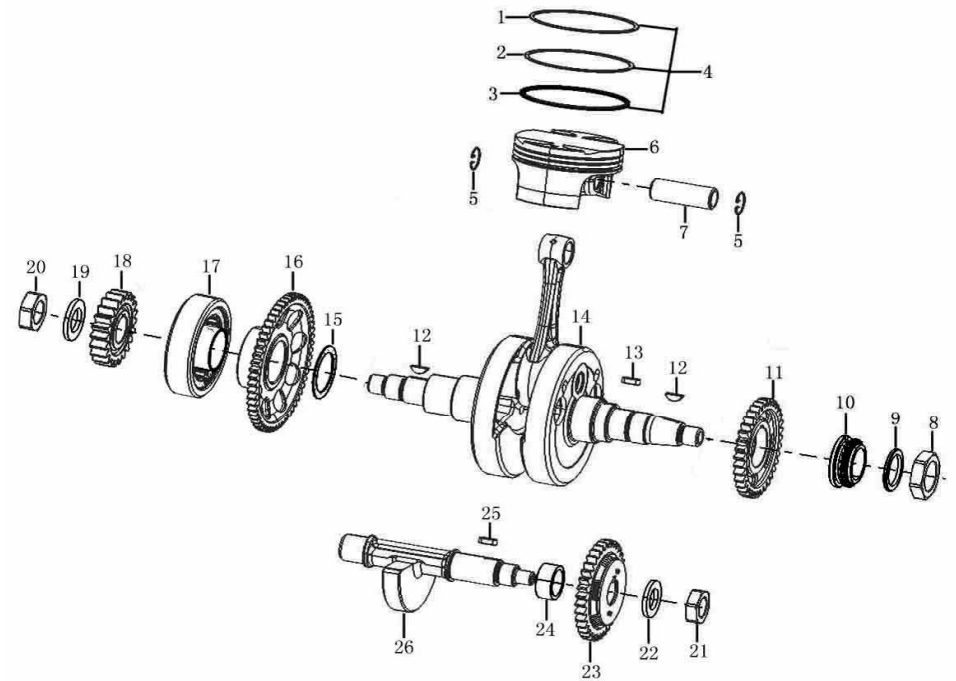
## E-9 RIGHT CRANKCASE

NO.	( PART CODE )	( DESCRIPTION )	QTY	REMARK
1	91212-RE08-00000X	NUT M10×1.25	2	
2	91101-ME30-0000	CYLINDER STUD BOLT A	2	
3	93301-5105202000N	WASHER 10.5×2×20	2	
4	92102-00000061805	BEARING (61805)	1	
5	92102-00006203P63	BEARING (6203/P63)	1	
6	92102-00TM6304P53	BEARING (TM6304/P53)	1	
7	92102-000TM6207RS	BEARING (TM6207RS)	1	
8	92102-006004DDUCM	BEARING (6004DDUCM NSK)	1	
9	1222B-ME30-00000W	RIGHT CRANKCASE BLOCK	1	
10	1431B-ME30-0000	STRAINER,OIL FILTER	1	
11	90101-30175000180	O-RING 17.5×1.8	1	
12	14305-ME30-00000H	COVER, OIL FILTER SCREEN	1	
13	91117-ME30-0000	BOLT, RETURN SPRINGN FIXING	1	
14	92102-00000061902	BEARING (61902)	1	
15	14210-ME30-0000	OIL FILTER	1	
16	90101-30300000260	O-RING 30×2.6	1	
17	12402-ME30-00000W	CAP, OIL FILTER	1	
18	91140-ME30-00000B	BOLT M5×22	2	
19	B061770105000090X	NUT 5	2	
20	91521-13001400000	PIN 13×14	2	
21				
22				
23				
24				
25				
26				
27				
28				
29				
30				
31				
32				
33				
34				
35				
36				
37				
38				
39				
40				
41				
42				
43				
44				
45				



## E-10 CRANKSHAFT CONNECTING-ROD ASSY/PISTON

NO.	( PART CODE )	( DESCRIPTION )	QTY	REMARK
1	13103-ME30-0000	PISTON RING 1	1	
2	13104-ME30-0000	PISTON RING 2	1	
3	13120-ME30-0000	OIL RING ASSY	1	
4	1310A-ME30-0000	PISTON RING COMP	1	
5	91401-ME30-0000	CHECK RING, PISTON PIN	2	
6	13101-ME30-0000	PISTON	1	
7	13102-ME30-0000	PIN PISTON	1	
8	91220-ME30-0000	NUT M24	1	
9	93301-42422532000	WASHER 24.2×2.5×32	1	
10	13222-ME30-0000	HUB DUMP CHAIN SPROCKET	1	
11	13302-ME30-0000	DRIVING GEAR	1	
12	91601-ME30-0000	SEMICIRCULAR KEY	2	
13	91606-ME30-0000	TABULATE KEY	1	
14	1320B-ME30-0000	CRANKSHAFT CONNECTING-ROD ASSY	1	
15	93301-53021040000	WASHER 30.2×1×40	1	
16	2142A-ME30-0000	PLATE GEAR ASSY	1	
17	21300-ME30-0000	ASSEMBLY, OVERRUNNING CLUTCH	1	
18	23101-ME30-0000	PRIMARY DRIVE GEAR	1	
19	93301-41823031000	WASHER 18.2×3×31	1	
20	91218-ME30-0000	NUT	1	
21	91202-ME30-0000	LOCK NUT, CLUTCH	1	
22	22004-1006-0000	DISH WASHER, CLUTCH	1	
23	1331B-ME30-0000	DRIVEN GEAR ASS.	1	
24	23206-ME30-0000	CRANKSHAFT TUBE	1	
25	91607-ME30-0000	TABULATE KEY	1	
26	13301-ME30-0000	BALANCE SHAFT	1	
27				
28				
29				
30				
31				
32				
33				
34				
35				
36				
37				
38				
39				
40				
41				
42				
43				
44				
45				

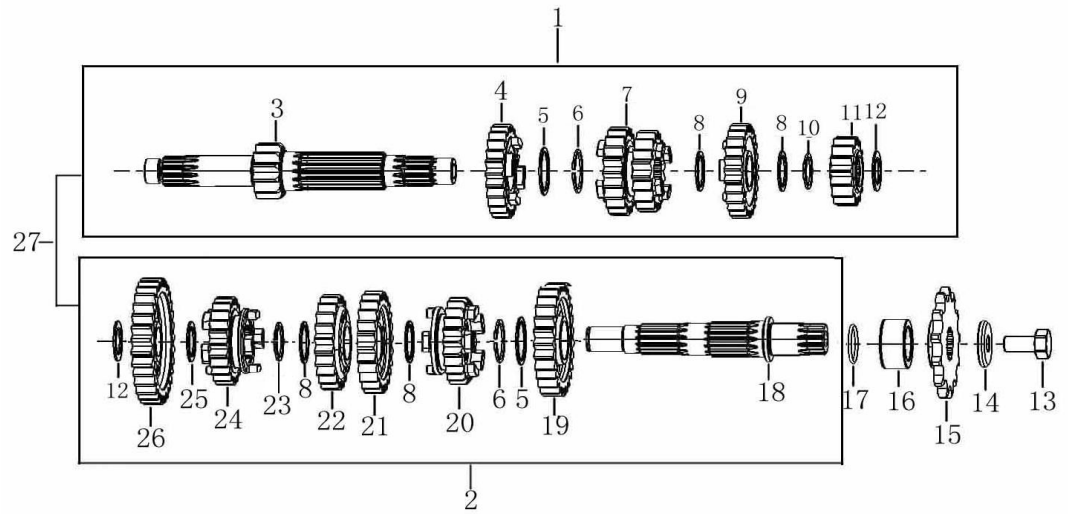


曲轴连杆部件 / 活塞

CRANKSHAFT CONNECTING-ROD ASSY/PISTON

## E-11 TRANSMISSION MAIN, COUNTER SHAFT

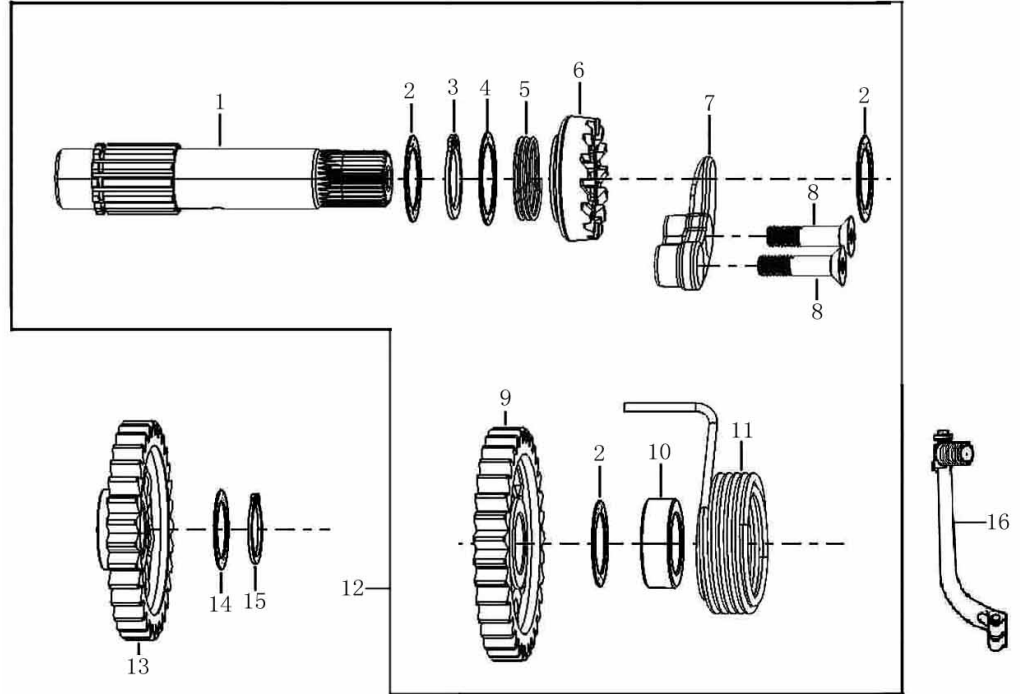
NO.	( PART CODE )	( DESCRIPTION )	QTY	REMARK
1	23220-ME30-0000	MAIN SHAFT, TRANSMISSION	1	
2	23240-ME30-0000	COUNTERSHAFT TRANSMISSION	1	
3	23221-ME30-0000	TRANSMISSION MAIN SHAFT	1	
4	23222-ME30-0005	GEAR M-5	1	
5	93301-52511030000	WASHER 25.1×1.0×30	2	
6	23226-M037-0000	CIRCLIP	2	
7	23222-ME30-0034	GEAR M-3, 4	1	
8	93301-52011025000	WASHER 20.1×1.0×25	4	
9	23222-ME30-0006	GEAR M-6	1	
10	23226-I008-0000	CIRCLIP	1	
11	23222-ME30-0002	GEAR M-2	1	
12	93301-51711026000	WASHER 17.1×1.0×26	2	
13	B057890010000070H	BOLT M10×1.25	1	
14	93301-1102403000X	WASHER 10.2×4×30	1	
15	23401-ME30-0000	DRIVE SPROCKET	1	
16	23106-ME30-0000	BUSH	1	
17	90101-30210000200	O-RING 21×2	1	
18	23241-ME30-0000	TRANSMISSION COUNTER SHAFT	1	
19	23242-ME30-0002	GEAR C-2	1	
20	23242-ME30-0006	GEAR C-6	1	
21	23242-ME30-0003	GEAR C-3	1	
22	23242-ME30-0004	GEAR C-4	1	
23	B0089401220000000	CIRCLIP 22	1	
24	23242-ME30-0005	GEAR C-5	1	
25	93301-51901026000	WASHER 19×1×26	1	
26	23242-ME30-0001	GEAR C-1	1	
27	23200-ME30-0000	MAINSHAFT ASSEMBLY	1	
28				
29				
30				
31				
32				
33				
34				
35				
36				
37				
38				
39				
40				
41				
42				
43				
44				
45				



主副轴组合  
TRANSMISSION MAIN, COUNTER SHAFT

## E-12 KICK STARTING SHAFT ASSEMBLY

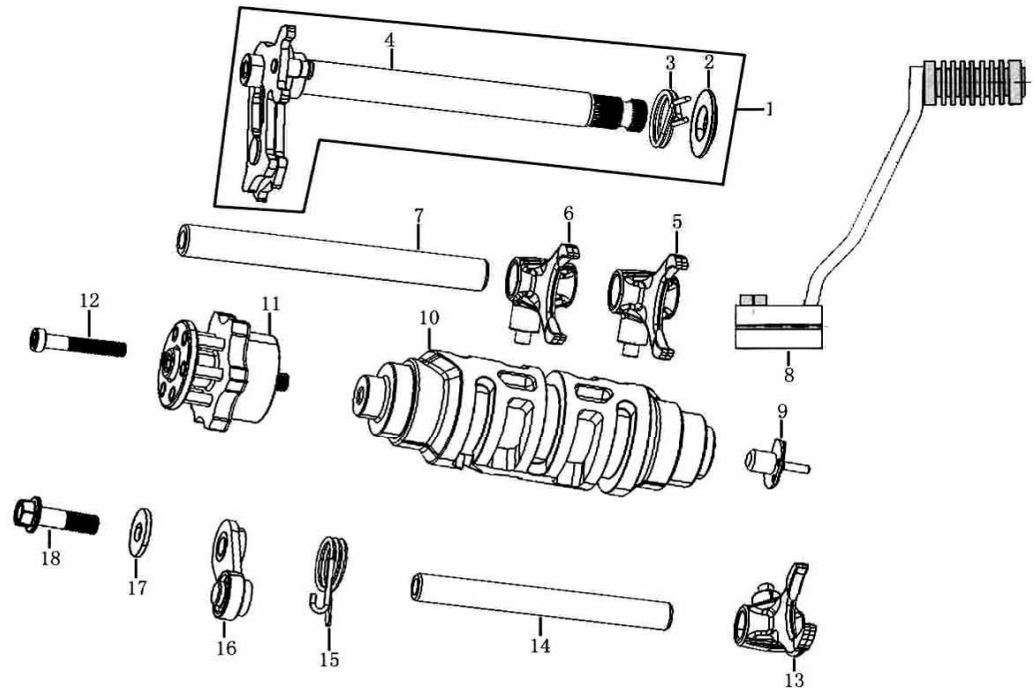
NO.	( PART CODE )	( DESCRIPTION )	QTY	REMARK
1	21107-ME30-0000	PIVOT, KICK STARTING SHAFT	1	
2	93301-51850526000	WASHER 18.5×0.5×26	3	
3	B0089401210000000	CIRCLIP 21	1	
4	93301-52170529500	WASHER 21.7×0.5×29.5	1	
5	21119-ME30-0000	SPRING, KICK STARTING RATCHET WHEEL	1	
6	21118-ME30-0000	STARTING RATCHET	1	
7	21123-ME30-0000	GUIDE PLATE	1	
8	B008190106002570B	SCREW M6×25	2	
9	21117-ME30-0000	GEAR, KICK STARTER	1	
10	21104-ME30-0000	SEAT, SPRING, KICK STARTING SHAFT	1	
11	21106-ME30-0000	RETURN SPRING, KICK STARTING SHAFT	1	
12	21100-ME30-0000	KICK STARTING SHAFT ASSEMBLY	1	
13	93301-61710526000	WASHER 17.1×0.5×26	1	
14	23248-ME30-0000	GEAR	1	
15	B0089401170000000	CIRCLIP 17	1	
16	21200-ME30-0000	START-UP BAR COMP	1	
17				
18				
19				
20				
21				
22				
23				
24				
25				
26				
27				
28				
29				
30				
31				
32				
33				
34				
35				
36				
37				
38				
39				
40				
41				
42				
43				
44				
45				



启动轴总成  
KICK STARTING SHAFT ASSEMBLY

## E-13 GEARSHIFT MECHANISM

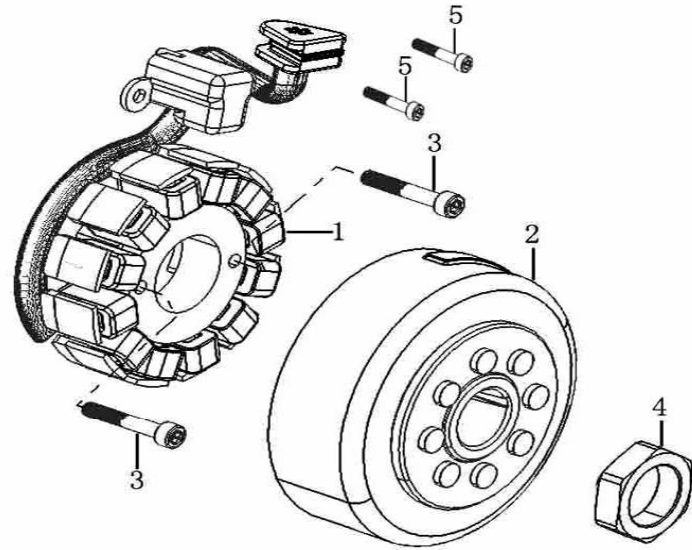
NO.	( PART CODE )	( DESCRIPTION )	QTY	REMARK
1	24300-ME30-0000	GEARSHIFT LEVER COMP	1	
2	24324-ME30-0000	AXLE SLEEVE	1	
3	24302-ME30-0000	RETURN SPRING	1	
4	24301-ME30-0000	GEARSHIFT SHAFT COMP	1	
5	24104-ME30-0000	RIGHT FORK, COUNTERSHAFT	1	
6	24105-ME30-0000	LEFT FORK, COUNTERSHAFT	1	
7	24108-ME30-0000	GUIDE PIN, SELECTOR FORK CENTER	1	
8	24400-D002-0072	GEARSHIFT SHAFT	1	
9	88004-I008-0100	CONTACT , CEARINDICATION	1	
10	24200-ME30-0000	GEARSHIFT DRUM COMP	1	
11	24202-ME30-0000	STOPPING PLATE	1	
12	B000700106003570B	SCREW M6×35	1	
13	24106-ME30-0000	CENTER FORK, MAINSHAFT	1	
14	24107-ME30-0000	SHAFT , GEARSHIFT FORK	1	
15	24304-ME30-0000	SPRING ,LOCATING PLATE	1	
16	2434A-ME30-0000	LOCATING PLATE ASSY	1	
17	93301-5065151800N	WASHER 6.5×1.5×18	1	
18	B166740A06002070B	BOLT M6×20	1	
19				
20				
21				
22				
23				
24				
25				
26				
27				
28				
29				
30				
31				
32				
33				
34				
35				
36				
37				
38				
39				
40				
41				
42				
43				
44				
45				



变速机构  
GEARSHIFT MECHANISM

## E-14 MAGNETO COMP

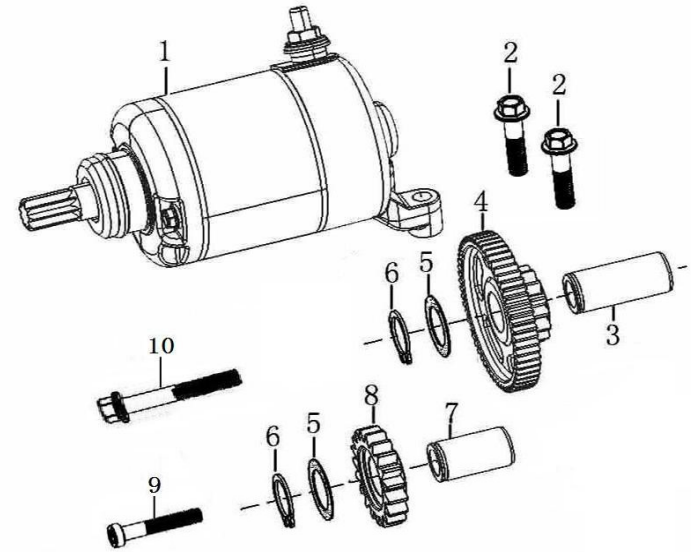
NO.	( PART CODE )	( DESCRIPTION )	QTY	REMARK
1	82120-ME30-000043	STATOR ASSY,MAGNETO	1	
2	82130-ME30-0000	ROTOR ASSY,MAGNETO	1	
3	B000700105003070B	SCREW M5×30	2	
4	91213-KA35-00000X	NUT M14×1.5	1	
5	B00818B005001040C	SCREW M5×10	2	
6				
7				
8				
9				
10				
11				
12				
13				
14				
15				
16				
17				
18				
19				
20				
21				
22				
23				
24				
25				
26				
27				
28				
29				
30				
31				
32				
33				
34				
35				
36				
37				
38				
39				
40				
41				
42				
43				
44				
45				



磁电机总成  
MAGNETO COMP

## E-15 ELECTRIC STARTING MECHANISM

NO.	(PART CODE)	(DESCRIPTION)	QTY	REMARK
1	82200-ME30-000051	STARTING MOTOR ASSY	1	
2	B166740A06002570X	BOLT M6×25	2	
3	21402-ME30-0000	SHAFT,REDUCTION,1	1	
4	21421-ME30-0000	TWIN GEAR, SET	1	
5	93301-51520523000	WASHER 15.2×0.5×23	2	
6	B0089401150000000	CIRCLIP 15	2	
7	21402-ME30-0100	SHAFT,REDUCTION,2	1	
8	21401-ME30-0000	GEAR, REDUCTION, 2	1	
9	B000700106003070B	SCREW M6×30	1	
10	B166740A06003570B	BOLT M6×35	1	
11				
12				
13				
14				
15				
16				
17				
18				
19				
20				
21				
22				
23				
24				
25				
26				
27				
28				
29				
30				
31				
32				
33				
34				
35				
36				
37				
38				
39				
40				
41				
42				
43				
44				
45				

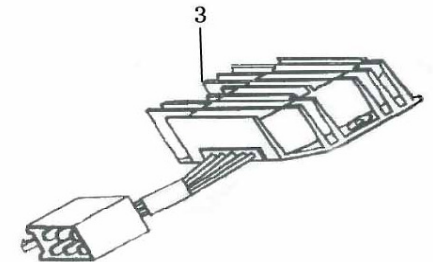
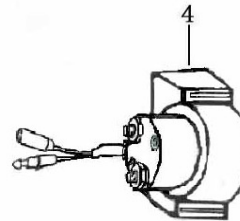
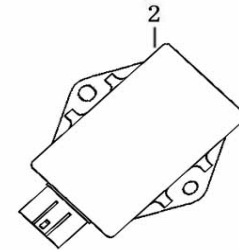
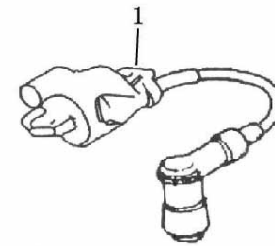


电启动机构

ELECTRIC STARTING MECHANISM

## E-16 ELECTRIC

NO.	( PART CODE )	( DESCRIPTION )	QTY	REMARK
1	81100-ME30-000020	IGNITION COIL	1	
2	81200-ME30-0000	C.D.I	1	
3	83100-JA32-0400	RECTIFIER	1	
4	82290-I049-000016	RELAY	1	
5				
6				
7				
8				
9				
10				
11				
12				
13				
14				
15				
16				
17				
18				
19				
20				
21				
22				
23				
24				
25				
26				
27				
28				
29				
30				
31				
32				
33				
34				
35				
36				
37				
38				
39				
40				
41				
42				
43				
44				
45				



电 器 件 ELECTRIC