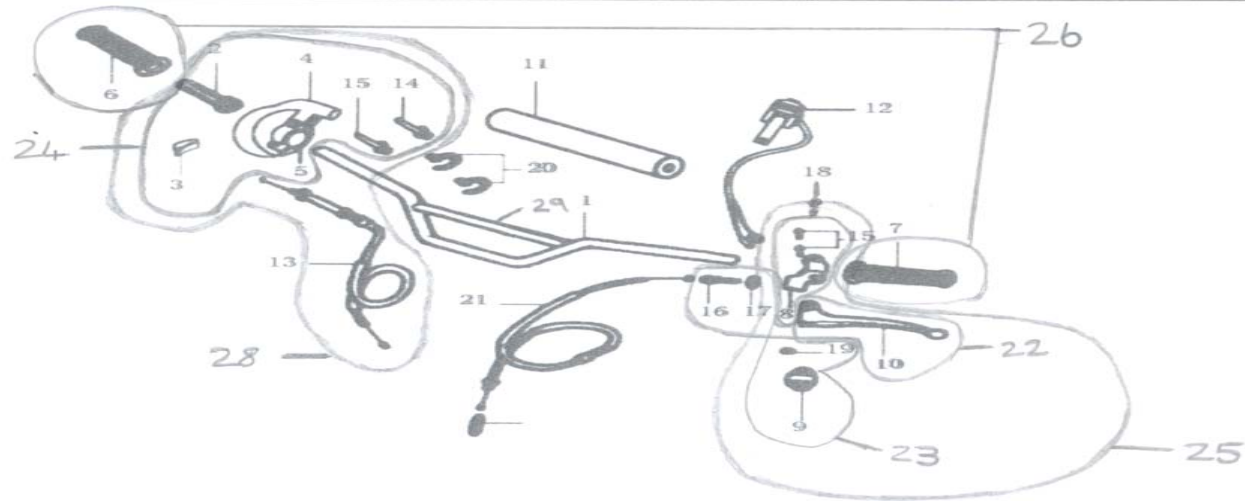
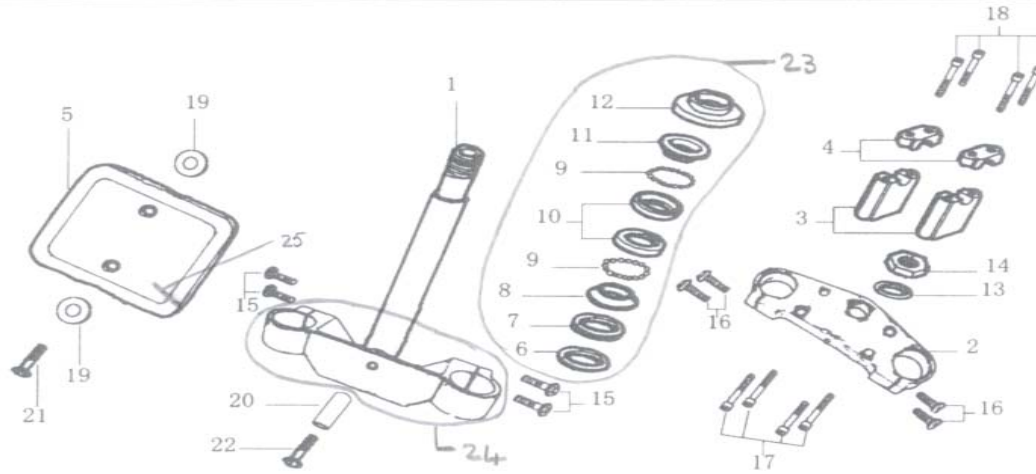


F01 HANDLE BAR



No.	Description	No.	Description
1	Handle Bar	14	Hex. Bolt with Flanged Face M6x25
2	Throttle Body	15	Hex. Bolt with Flanged Face M6x20
3	Plastic Piece for Throttle Cable	16	Adjusting Screw
4	Upper Throttle Body Housing	17	Tightening Nut
5	Lower Throttle Body Housing	18	Stepped Screw MX x 22
6	Right Grip	19	Self-locking nut M6
7	Left Grip	20	Tie Strip 150
8	Clutch Perch	21	Clutch Cable
9	Clutch Perch Bracket	22	Clutch Lever & Screw
10	Clutch Lever	23	Perch Complete with Screws
11	Bar Pad	24	Throttle Sets with Screws
12	Kill Switch	25	Clutch Lever Assembly with Perch & Screws
13	Throttle Cable	26	Handle Grips (left &right)
		27	Rubber Protect Cover (clutch cable)
		28	Throttle Body & Cable
		29	Crossbar

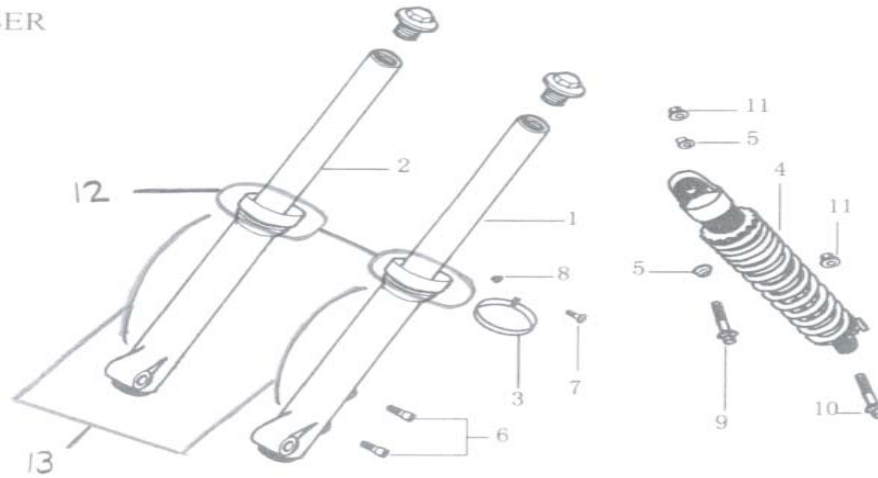
F02 STEERING STEM  
& TRIPLE CLAMPS



No.	Description	No.	Description
1	Steering stem	17	Stud Screw M8 x 40
2	Top triple Clamp	18	Stud Screw M8 x 30
3	Lower Bar Mount	19	Cushion for front Number Plate 6 x 3
4	Top Bar Mount	20	Sleeve 7 x 12 x 30
5	Front Number Plate	21	Plus Screw M6 x 20
6	Washer for Steering Head Dust Seal	22	Plus Screw M6 x 45
7	Dust Seal for Steering Head	23	Parts 6 -12 in 1-Assembly
8	Ball Cone, Steering Bottom	24	Steering stem & Mounting assembly
9	Ball Assembly	25	Front Brake Hose Bracket
10	Ball Race, Steering Top		
11	Ball Cone, Steering Top		
12	Top Nut for Steering		
13	Washer for Steering Stem		
14	Nut for steering Stem		
15	Stud Screw M8 x 25		
16	Stud Screw M6 x 25		



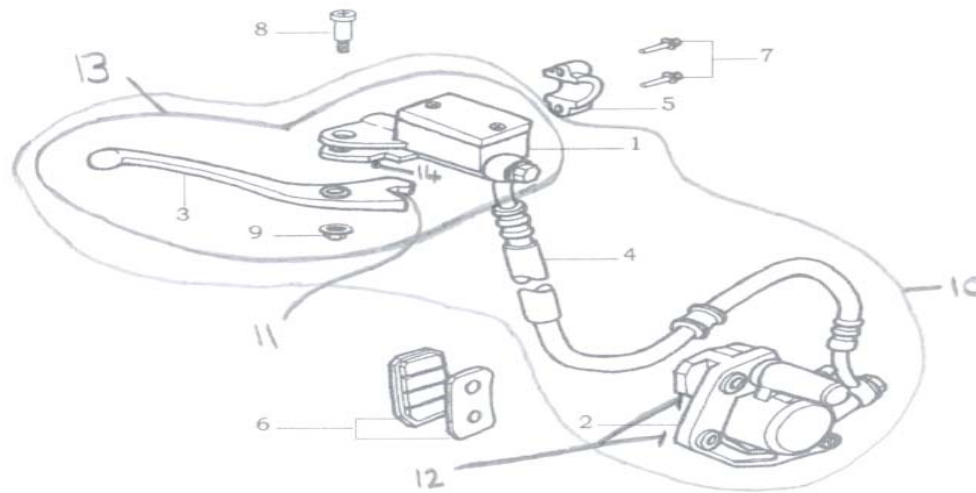
## F04 SHOCK ABSORBER



No.	Description	No.	Description
1	Front shock absorber, right		
2	Front shock absorber, left		
3	Brake Cable Holder		
4	Rear Shock Absorber		
5	Nylon Gasket		
6	Stud Screw M8 x 30		
7	Plus Screw M5 x 22		
8	Hex. Flanged Nut M5		
9	Hex. Bolt with Flanged face M8 x 40		
10	Hex. Bolt with Flanged face M8 x 55		
11	Self-Locking Nut M8		
12	Fork Seals		
13	Fork Guards (Grey) Set (left & right)		

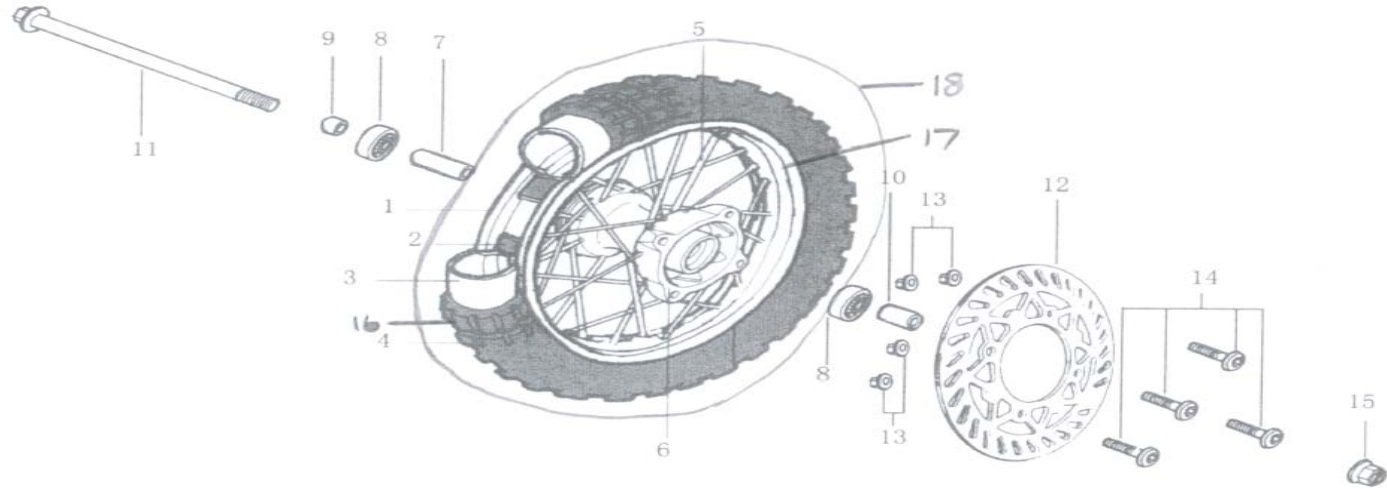


## F05 FRONT BRAKE SYSTEM



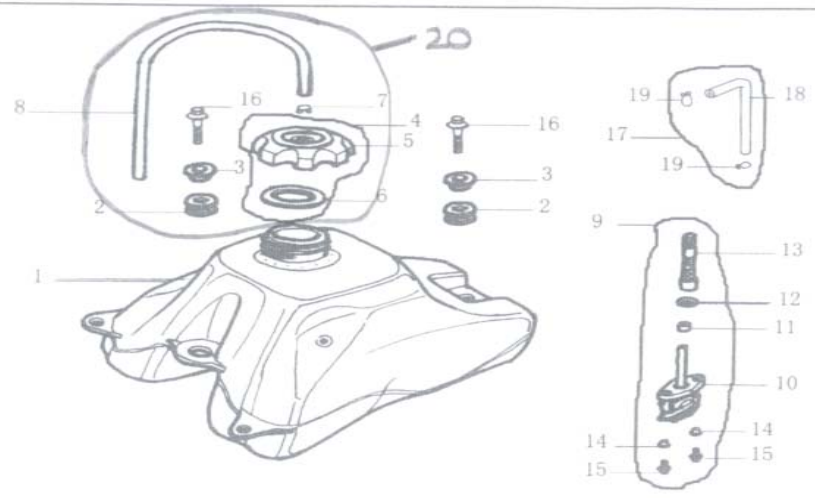
No.	Description	No.	Description
1	Reservoir		
2	Caliper		
3	Front Brake Lever		
4	Front Brake Line		
5	Brake Perch Bracket		
6	Front Brake Pads		
7	Hex. Bolt with Flanged Face M6 x 25		
8	Stepped Screw M6 x 30		
9	Self-Locking Nut M6		
10	Brake assembly Complete		
11	Screw		
12	Spacer MXA Brake Caliper		
13	Lever + Brake Caliper		
14	Top Lock for Brake lever MXR		
15	MXR Adjustor screw		

F06  
FRONT WHEEL



No.	Description	No.	Description
1	Rim for Front wheel	17	Rim only (steel)
2	Front Tyre Lining	18	Wheel with Tyre
3	Tube for Front Tyre 2.50 - 10		
4	Front Tyre 2.50 - 10		
5	spoke for Front wheel 98		
6	Front Hub		
7	Front Axle Bushing		
8	Ball Bearing		
9	Front Axle Spacer, right		
10	Front Axle Spacer, Left		
11	Front Axle		
12	Front Rotor		
13	Self-Locking Nut M8		
14	Socket Head Cap Screw M8 x 22		
15	Self-Locking Nut M14		
16	Valve Cap		

307 FUEL TANK

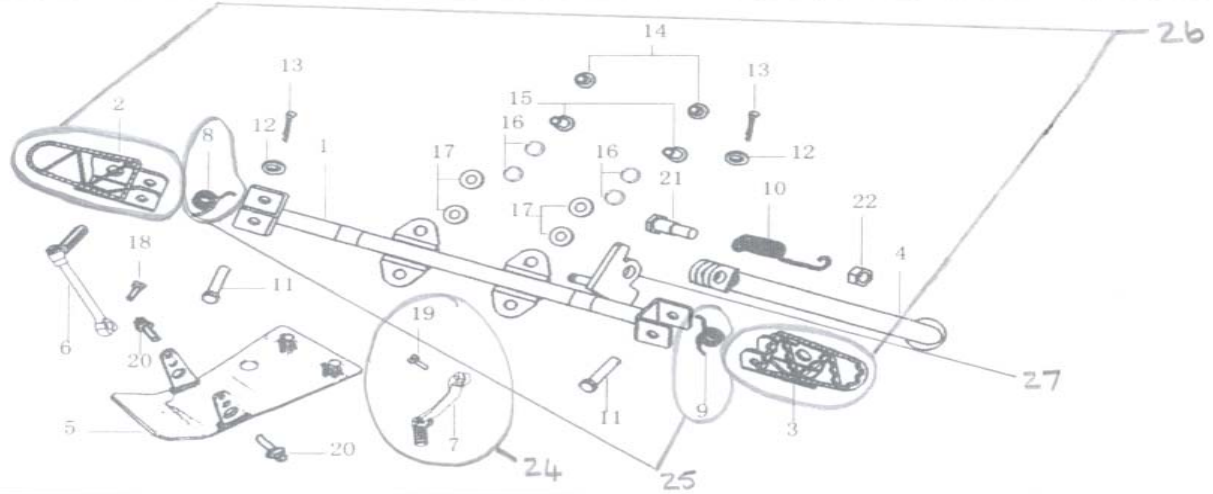


No.	Description	No.	Description
1	Fuel Tank Assembly	17	Fuel Tube Comp.
2	Cushion for Fuel Tank	18	Fuel Tube Comp.
3	Washer	19	Hoop
4	Tank Cap Assembly	20	Alu Tank Cap & Breathe Pipe
5	Tank Cap		
6	Cushion for Tank Cap		
7	Clip for Breathing Pipe		
8	Breathing Pipe		
9	Fuel Cock Assembly		
10	Fuel Cock Assembly		
11	Seal Washer		
12	Seal Washer		
13	Screen		
14	Gasket		
15	Hex. Bolt with Flanged Face M6 x 16		
16	Hex. Bolt with Flanged Face M8 x 25		



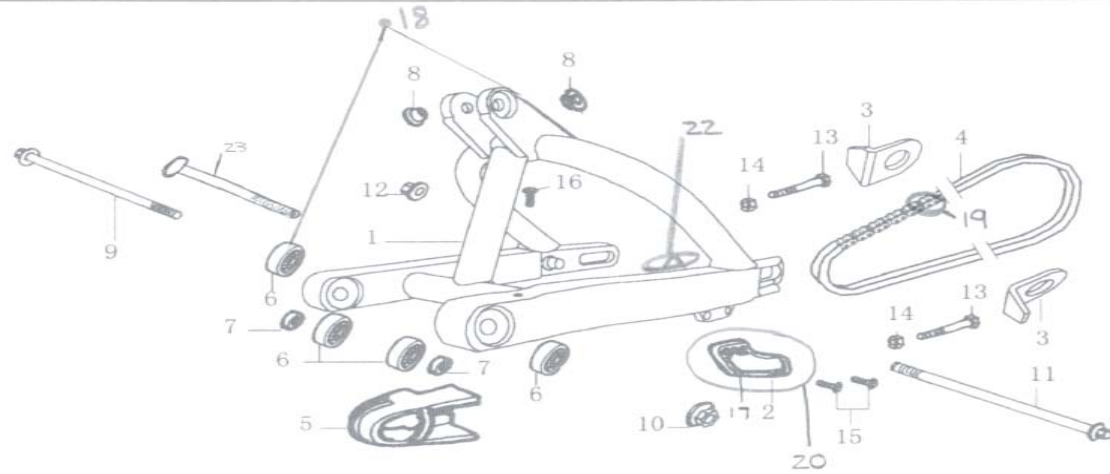


F09 FOOT PEGS



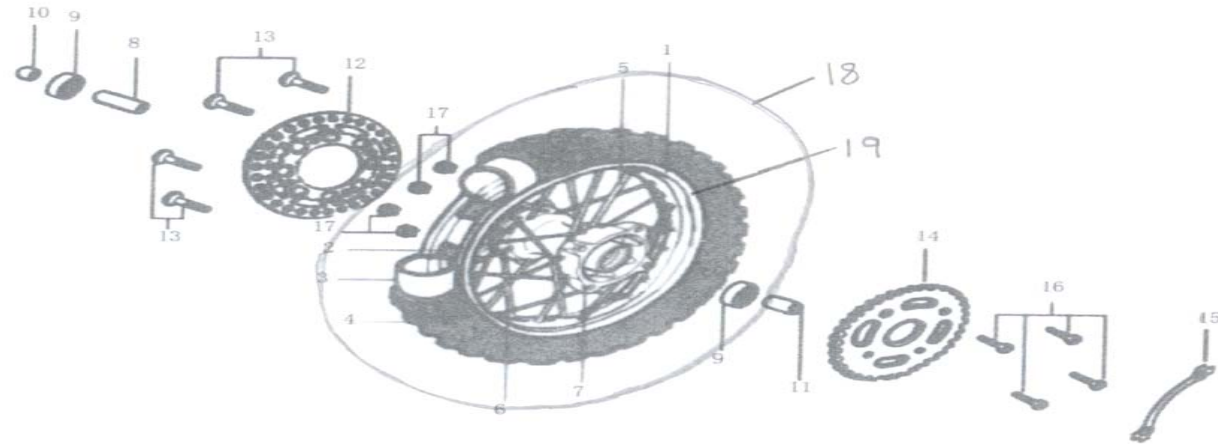
No.	Description	No.	Description
1	Foot Peg Comp.	17	Flat Washer 8 x 16 x 2
2	Right Foot Peg	18	Exterior Hex. Bolt M6 x 22
3	Left Foot Peg	19	Exterior Hex. Bolt M6 x 20
4	Kick Stand	20	Hex. Bolt with Flanged Face M6 x 16
5	Engine Skid Plate	21	Stepped Screw M10 x 30
6	Kick starter Assembly	22	Hex. Nut M10
7	Shifter Lever	24	Gear Shifter & Screw - Lever
8	Spring for Right Foot Peg	25	Spring for Left & Right foot peg (set)
9	Spring for Left Foot Peg	26	Left & Right Foot Peg Set
10	Spring for Kick Stand	27	MXA Bracket - Foot Peg, Kick Stand
11	Shaft Pin		
12	Flat Washer		
13	Cotter Pin 1.6 x 16		
14	Socket Head Cap Screw M8 x 20		
15	Socket Head Cap Screw M8 x 40		
16	Standard Spring Washer 8		

F10 SWING ARM  
ASSEMBLY



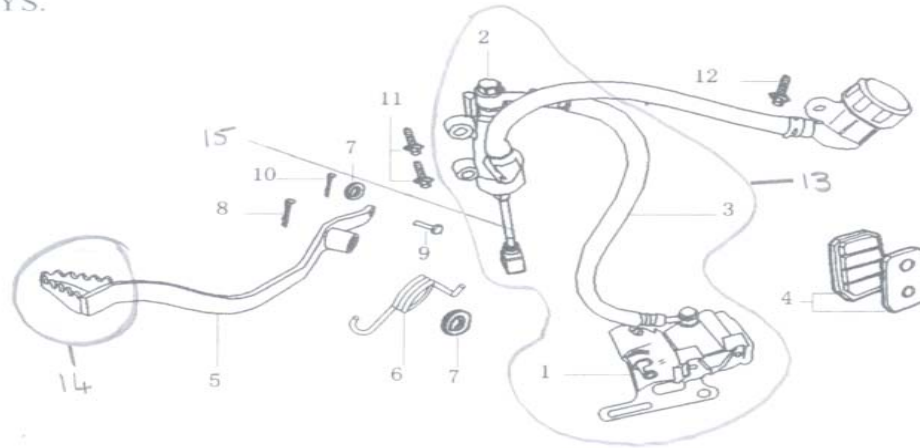
No.	Description	No.	Description
1	Swing Arm	17	Chain Guard Screw
2	Chain Guard	18	Swing Arm & Bearing
3	Chain Adjustor	19	Masterlink - Chainlink
4	Driving Chain	20	Chain Guard (part of 2 on MXA)
5	Chain Slider	21	Metal Chain Guard Bracket
6	Ball Bearing	22	Swing Arm Block - Xpert
7	Sleeve for Swing Arm	23	Engine Mount Bolt above Swing Arm
8	Sleeve 8 x 22 x 12		
9	Swingarm Shaft		
10	Self-locking Nut M10		
11	Rear Wheel Axle		
12	Self-locking Nut M14		
13	Exterior Hex. Bolt M8 x 6140		
14	Hex Nut M8		
15	Socket Head Cap Screw M8 x 22		
16	Plus Screw M5 x 12		

## F11 REAR WHEEL



No.	Description	No.	Description
1	Rim for Rear Wheel	17	Self Locking Nut M8
2	Rear Tyre Lining	18	Wheel with Tyre
3	Tube for Rear Tyre	19	Rim Only
4	Rear Tyre		
5	Spoke for Rear Wheel, right 109		
6	Spoke for Rear Wheel, left 106		
7	Rear Hub		
8	Rear Axle Bushing 16 x 21 x 84		
9	Ball Bearing 6202 - 2z		
10	Axle spacer, right 15 x 25 x 25		
11	Axle Spacer, Left 15 x 25 x 33		
12	Rear Rotor		
13	Socket Head cap screw M8 x 22		
14	Driven Sprocket		
15	Sprocket locking piece		
16	Exterior Hex. Bolt M8 x 25		

F12 REAR BRAKE SYS.

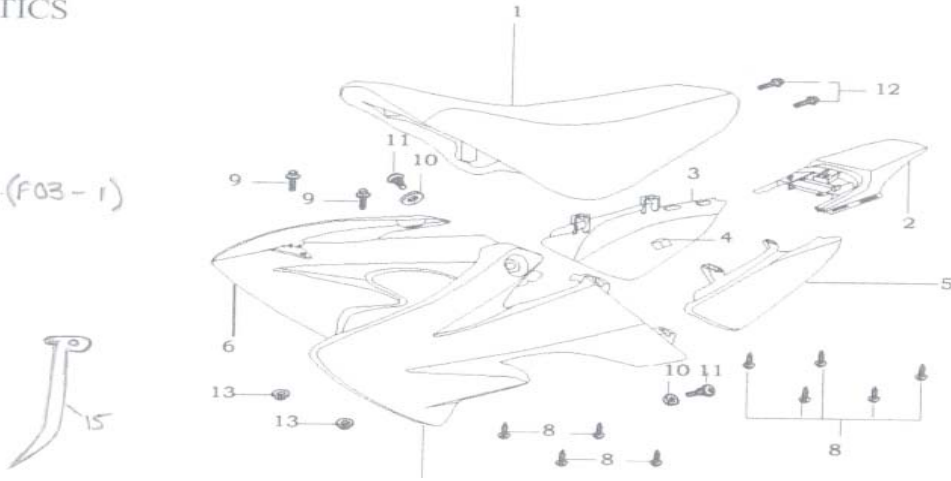


No.	Description	No.	Description
1	Caliper		
2	Reservoir		
3	Oil Pipe		
4	Friction Pad		
5	Brake Pedal		
6	Spring for Brake Pedal		
7	Flat Washer 14 x 28 x 2.5		
8	Split Pin 2 x 24		
9	Pin Shaft 7 x 16		
10	Split Pin 1.6 x 16		
11	Hex. Bolt with Flanged Face M6 x 20		
12	Hex. Bolt with Flanged Face M6 x 14		
13	Rear Brake Caliper assembly complete		
14	Rear Brake Lever - Red		
15	Handspike - Rear Brake		



F14 SEAT & PLASTICS

ASS- 6;7;2;5;3+(F03-i)

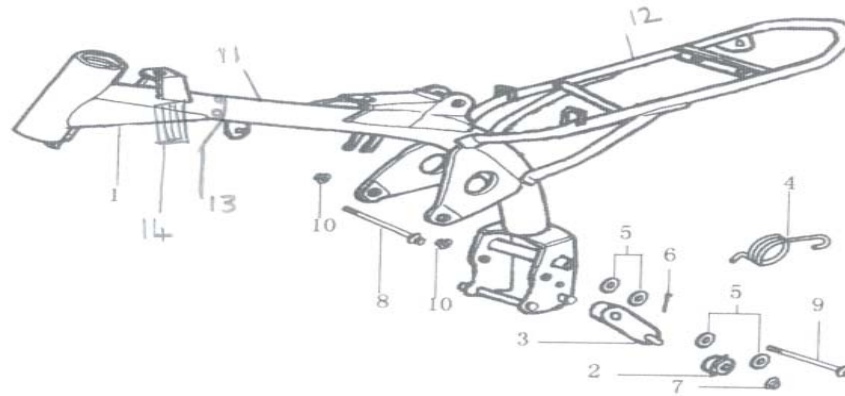


No.	Description	No.	Description
1	Seat Assembly		
2	Rear Fender assembly		
3	Right Side Plastic		
4	Cushion for Right Side Plastic		
5	Left Side Plastic		
6	Right Shroud		
7	Left shroud		
8	Plus Screw Head ST4.8 x 15		
9	Hex. Bolt with Flanged Face M6 x 14		
10	Rubber Washer 6 x 3		
11	Plus screw M05 x12		
12	Hex. Bolt with Flanged Face M6 x 16		
13	Hex. Flanged Nut M6		
14	Complete Plastic sets incl. Front Fender		
15	Plastic Strenghtner		





F16 FRAME

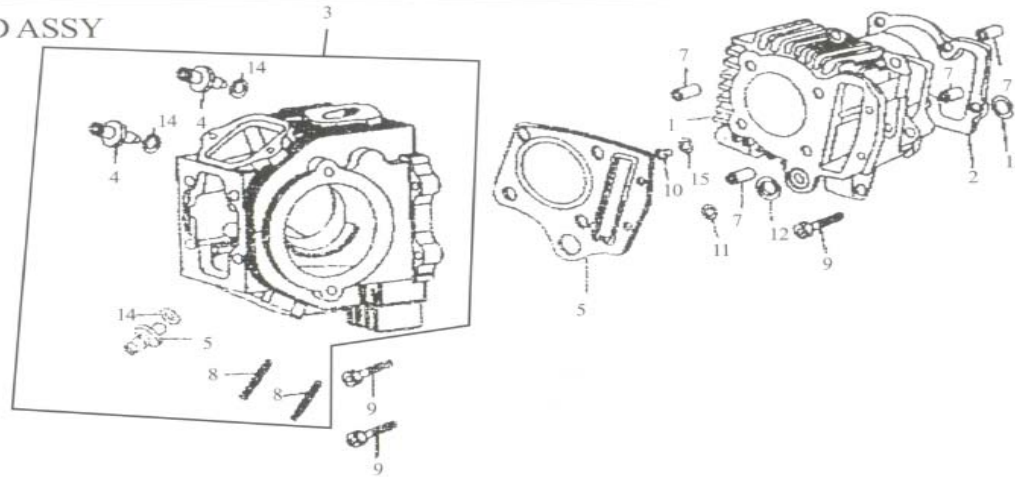


No.	Description	No.	Description
1	Frame Body		
2	Chain Tensioner		
3	Arm for Chain Tensioner		
4	Spring for Chain Tensioner		
5	Flat Washer 10 x 17 x 2		
6	Cotter Pin 1.6 x 16		
7	Self Locking Nut M8		
8	Hex. Bolt with Flanged face M8 x 110		
9	Hex. Bolt with Flanged face M8 X 100		
10	Hex. Bolt with Flanged face M8		
11	Chrome Molly Main Frame		
12	Chrome Molly Sub Frame		
13	Air Deflector bracket for grill and grid		
14	Air Deflector plastic for grill and grid		



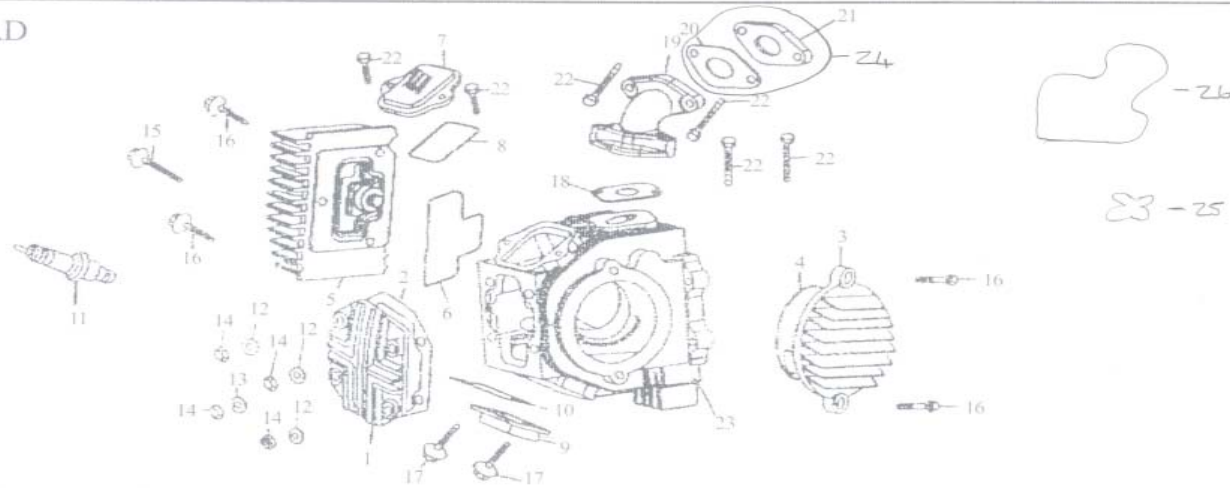


E-1 CYLINDER HEAD ASSY



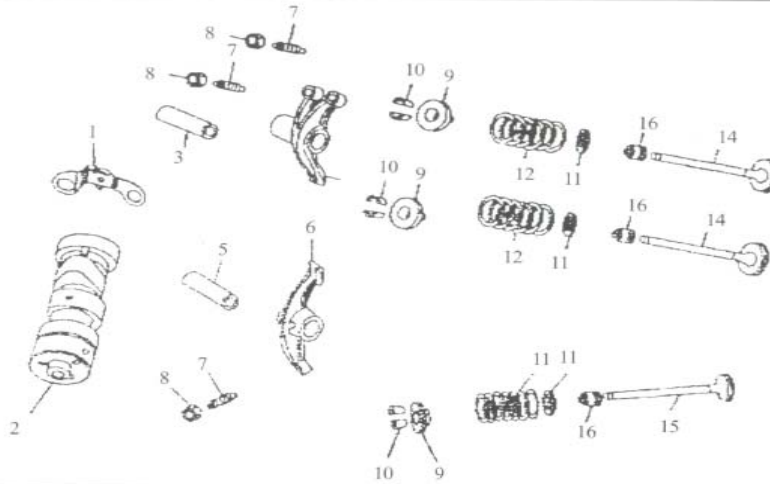
S/N	Part No.	Description	Qua	S/N	Part No.	Description	Qua
No.	Description			No.	Description		
1	Cylinder Body						
2	Cylinder Body Seal Packing						
3	Cylinder Body Gasket						
4	Suction - Valve Pipe						
5	Exhaust Valve Pipe						
6	Cylinder Head Seal gasket						
7	Assembling Pin						
8	Bolt						
9	Bolt						
10	Oil Seal						
11	Oil Seal						
12	Rectangle seal Ring						
13	Rectangle seal Ring						
14	O-Shaped Seal Ring						
15	Seal Lvasher						

## E-2 CYLINDER HEAD



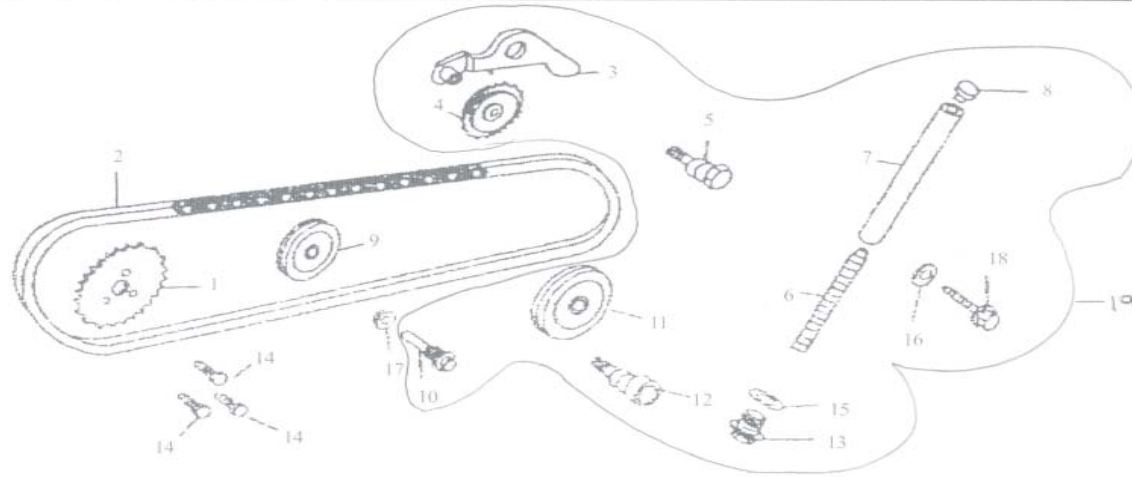
No.	Description	No.	Description
1	Cylinder Head Cover	17	Plate Bolt 92140-06016
2	Cylinder Head Cover Seal Packing	18	Seal Washer for Intake
3	Cylinder Head Left Cover	19	Intake
4	Cylinder Head Left Cover Seal Ring	20	Seal Packing
5	Cylinder head Ring Cover	21	Carburetor Seal Packing
6	Cylinder head Ring Cover Seal Ring	22	Tape Spool Bolt 92140-06025
7	Intake Valve Cover	23	Cylinder Head assembly
8	Seal Ring for Intake	24	Carbu. Gasket set
9	Exhaust Valve Cover	25	Fuel Filter
10	Exhaust Valve Cover	26	Carburetor Seal Packing
11	NGK Sparking Plug		
12	Cushion Ring		
13	Cushion Ring		
14	Nut M		
15	Bolt		
16	Plate Bolt 92140-06020		

### E-3 CAMSHAFT & VALVE



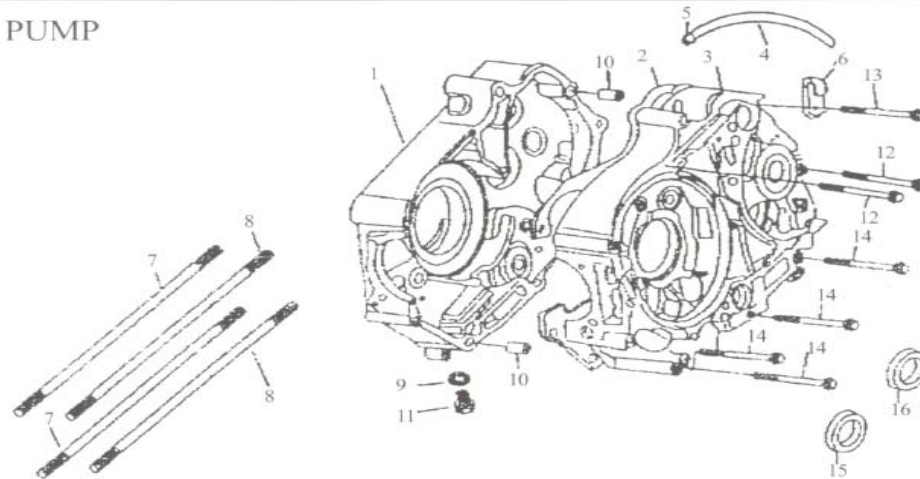
No.	Description	No.	Description
1	Isolator Locker assembly		
2	Camshaft sub assembly		
3	Air-in Rockerarm Shaft		
4	Air-in Rockerarm		
5	Rockerarm Shaft		
6	Air-out Rockerarm		
7	Air Valve Adjusting Screw		
8	Air Valve Adjusting nut		
9	Up Spring Seat		
10	Air Valve Locker		
11	Down Spring Seat		
12	Induction Valve Spring		
13	Exhaust Valve Spring		
14	Induction Valve		
15	Exhaust Valve		
16	Valve Stem Seal		

### E-4 TIMING CHAIN



No.	Description	No.	Description
1	Timing Driven Sprocket	17	Washer
2	Timing Chain	18	Bolt 92140-06025B
3	Chain Tension	19	Cam Chain Tensioner Kit
4	Chain Pulley		
5	Chain Tension Arm Mandrel		
6	Chain Tension Stud Spring		
7	Chain Tension Stud Assembly		
8	Chain Tension Stud Head		
9	Guide wheel without Core		
10	Guide Roller Pin		
11	Chain Tension Contact Roller		
12	Chain Tension Contact Roller Pin		
13	Seal Bolt		
14	Bolt		
15	Washer		
16	Washer		

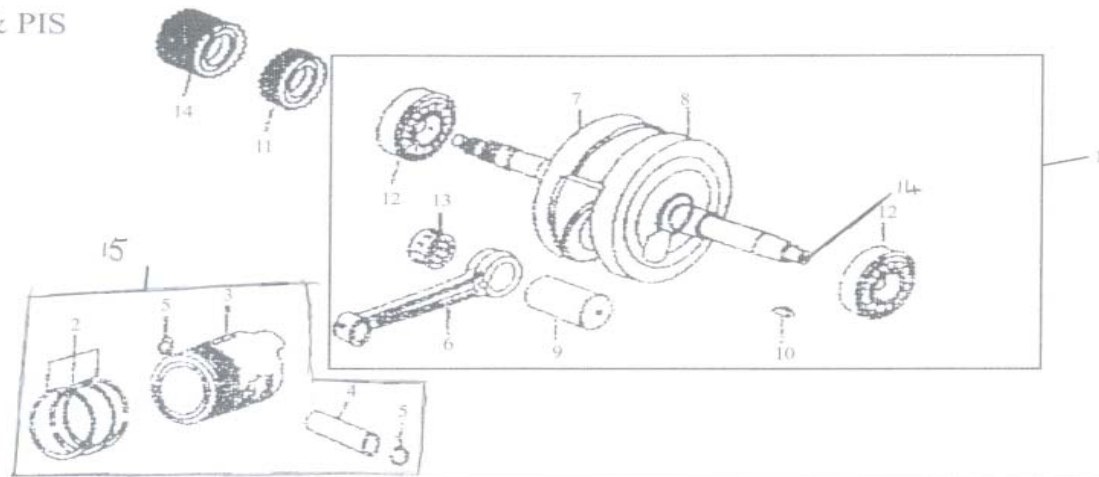
## E-5 CRANKCASE & PUMP



No.	Description	No.	Description
1	Right Crankcase Body		
2	Crankcase Sealed Packing		
3	Left Crankcase Body		
4	Breathing Pipe		
5	Overflow Pipe Clip		
6	Pipe Clamping		
7	Cylinder Trapped Stud (A)		
8	Cylinder Trapped Stud (B)		
9	Washer		
10	Assembling Pin 92401-10014		
11	Discharging oil Plug Screw		
12	Bolt 92140-06060B		
13	Bolt 92140-06050B		
14	Bolt 92140-06065B		
15	Oil Seal		
16	Oil Seal		



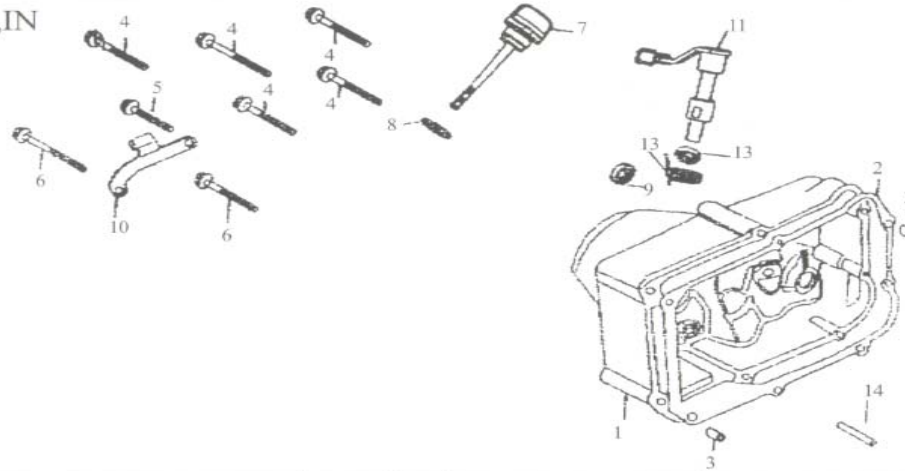
### E-6 CRANKSHAFT & PIS



S/N	Part No.	Description	Qty	S/N	Part No.	Description	Qty
	<b>No.</b>	<b>Description</b>			<b>No.</b>	<b>Description</b>	
	1	Crank Connecting Rod			15	Complete Piston Ring set	
	2A	Piston Ring (A ring)					
	2	Piston Ring (oil ring)					
	2B	Piston Ring (B ring)					
	3	Piston					
	4	Piston Pin					
	5	Piston Pin Shield Ring					
	6	Connecting Rod Level					
	7	Right Hand					
	8	Left-Hand Crank Shaft					
	9	Crank Pin					
	10	Semicircular Key					
	11	Oil Pump Main Gear Wheel					
	12	Bearing 6304					
	13	Needle Bearing					
	14	Elementary Main Gear Wheel					



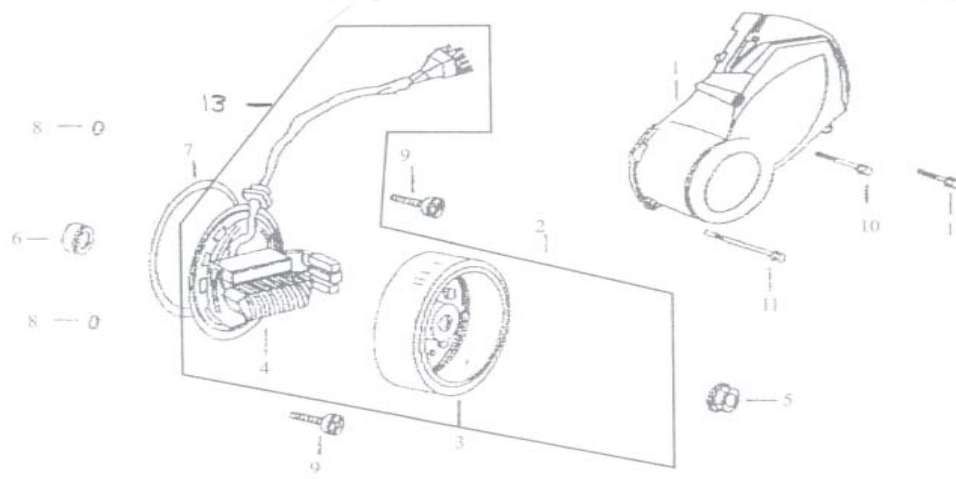
E-7 CRANKCASE COVER,IN



S/N	Part No.	Description	Qua	S/N	Part No.	Description	Qua
-----	----------	-------------	-----	-----	----------	-------------	-----

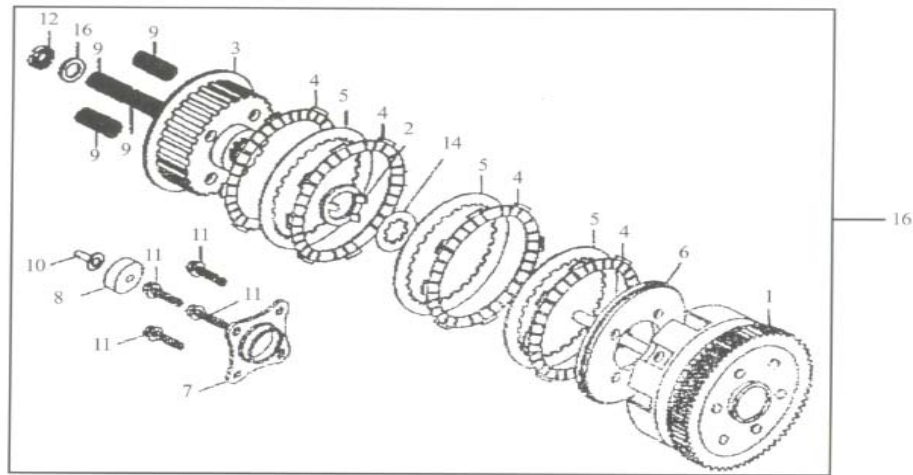
No.	Description	No.	Description
1	Right Crankcase Cover		
2	Right Crankcase Sealed		
3	Pitched Pin 92401-08012		
4	Bolt 92140-06040B		
5	Bolt 92140-06050B		
6	Bolt 92140-06080B		
7	Oil Scale assembly		
8	O-Shaped Sealed Ring		
9	Oil Seal		
10	Clutch cable Clip		
11	Clutch Control Lever		
12	Control Lever Return spring		
13	Oil Seal 12 x 18 x 15		
14	Oil Pipe		

E-8 LEFT COVER



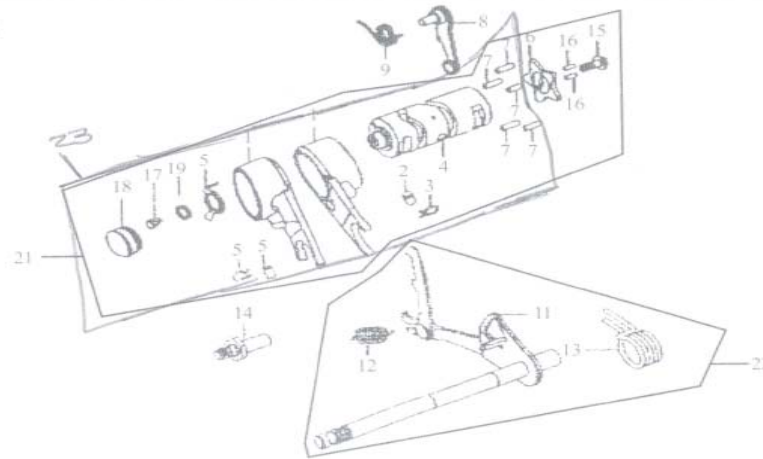
No.	Description	No.	Description
1	Left Crankcase Cover		
2	Magneton		
3	Flywheel		
4	Stator Module		
5	Hex Nut		
6	Oil Seal		
7	O-Shaped Sealring		
8	O-Shaped Sealring		
9	Mechanical Bolt		
10	Bolt		
11	Bolt		
13	Inner Rotar Kit		

### E-9 CLUTCH COMPONENT PART



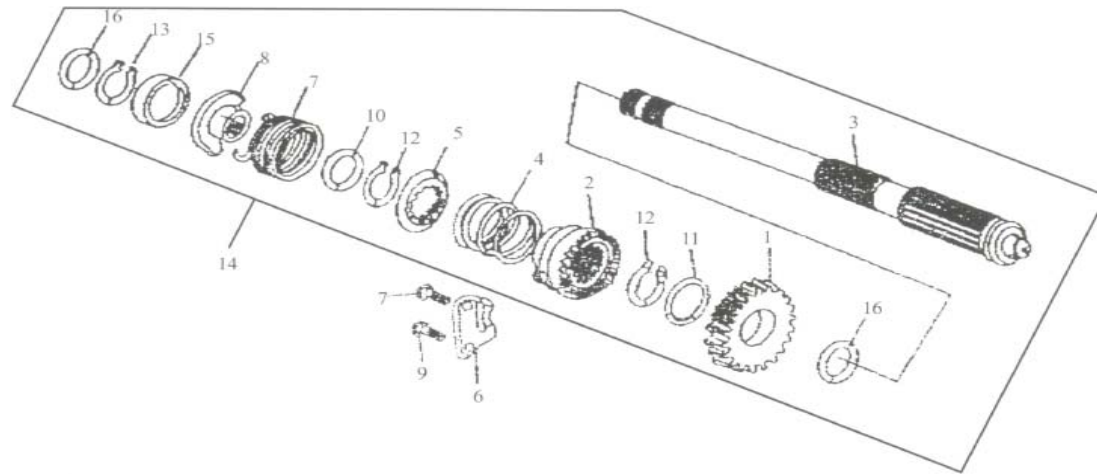
No.	Description	No.	Description
1	Clutch External Assy		
2	Holding Ring		
3	Centre of Clutch Cover		
4	Clutch Friction Disk		
5	Clutch Board		
6	Clutch Pressure Plate		
7	Clutch Lift slab		
8	Bearing 6000		
9	Clutch Spring		
10	Clutch Push Rod		
11	Bolt M6 x 25		
12	Round Nut		
13	Disk Shaped Washer		
14	Spline Shaft Washer		
15	Clutch Assembly		
16	Valve Stem Seal		

## E-10 SHIFTING MOTIVATOR



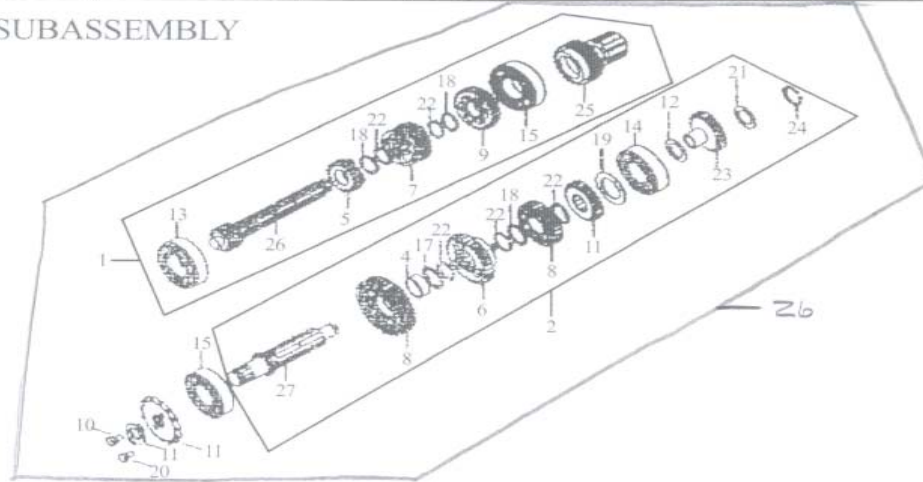
No.	Description	No.	Description
1	Gear shift Fork	17	Switch pressboard
2	Guide Pin	18	Moving Contact subassembly
3	Spring Clip	19	Socket Head Cap Screw H6 x 12
4	Shifting Drum	21	Shifting Yoke Variator
5	Neutral Gear Switch Contract	22	Shifting assembly
6	Speed Variator Strongback	23	Shifting Subassembly Complete
7	Strongback Pin Bolt		
8	Speed Variator Strongback Subassembly		
9	Strongback Spring		
10	Washer		
11	Shifting Subassembly		
12	Spring		
13	Return Spring		
14	Assembling Spring		
15	Bolt with Salver		
16	Assembling Pin 3 x 8.5		

E-11 START ASSY



No.	Description	No.	Description
1	Start Gear		
2	Starting Ratchet Wheel		
3	Starting Shaft		
4	Spring		
5	Ratchet Wheel Springs Supporting		
6	Ratchet Wheel Guide Runner		
7	Starting shaft Return Spring		
8	Starting shaft Spring Supporting		
9	Bolt M6 x 20		
10	Washer		
11	Washer		
12	Washer		
13	Shield Ring		
14	Starting Shaft Assembly		
15	Spring Cover		
16	Washer 14		

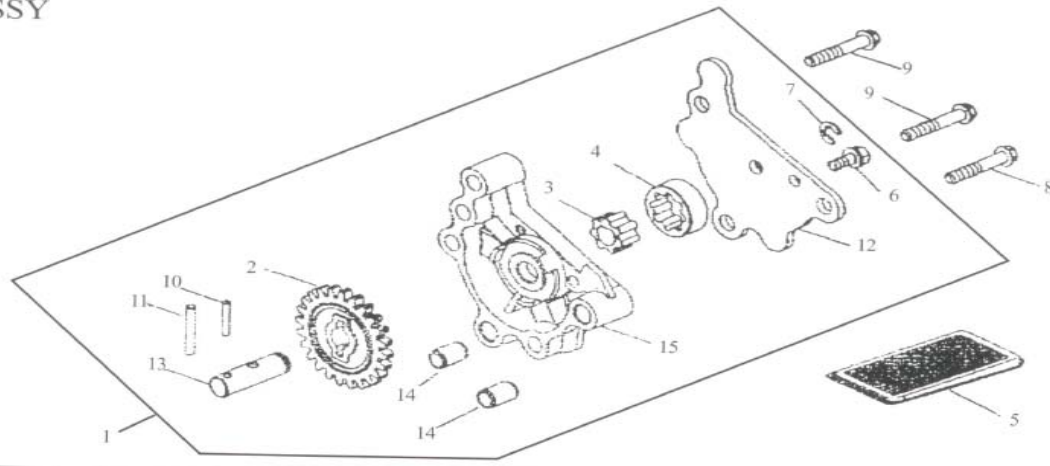
### E-12 SLOWING DOWN SUBASSEMBLY



No.	Description	No.	Description
1	Transmission Main Shaft	12	Drive Sprocket Clsoing Ring
2	Transmission Countenshaft	13	Bearing 001
3	Gear Wheel	14	Bearing 002
4	Geared Sleeve	15	Bearing 003
5	Gear Wheel	16	Thrust Washer
6	Spline Shaft Driver gear	17	Spline Shaft Washer
7	Spline Shaft Main Driven Gear	18	Spline Shaft Washer
8	Gear Wheel	19	Spline Shaft Washer
9	Gear Wheel	20	Bolt M6 x 8
10	Spline Shaft Gear Wheel	21	Thrust Washer
11	Drive Sprocket	22	Shield Ring
11A	14T Drive Sprocket	23	Star Rolling Gear
11B	15T Drive Sprocket	24	Shield Ring 15
		25	Clutch Gear Sleeve
		26	Gearbox Main & Countershaft



E-13 PUMP ASSY



No.	Description	No.	Description
1	Oil Pump Components		
2	Oil Pump Driver Gear		
3	Oil Pump Inner Rotor		
4	Oil Pump Outer Rotor		
5	Oil Filter Subassembly		
6	Plate Bolt 92140-05010		
7	Shield Ring		
8	Bolt with Salver 92140-06035B		
9	Bolt with Salver 92140-06040B		
10	Pin Bearing 2.5 x 10		
11	Pin Bearing 2.5 x 16		
12	Oil Pump Cover		
13	Oil Pump Axis		
14	Assembling Pin 92401-08014		
15	Oil Pump Body		