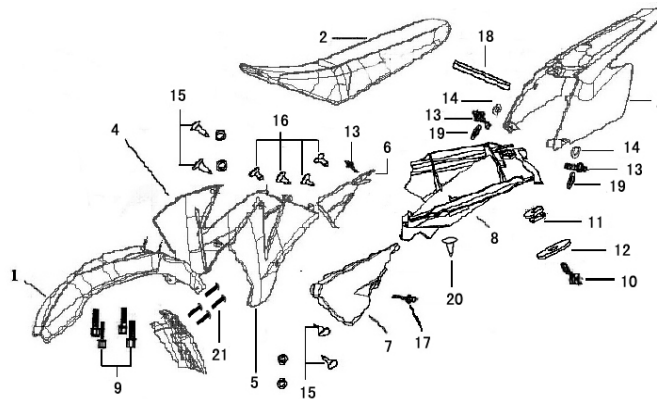
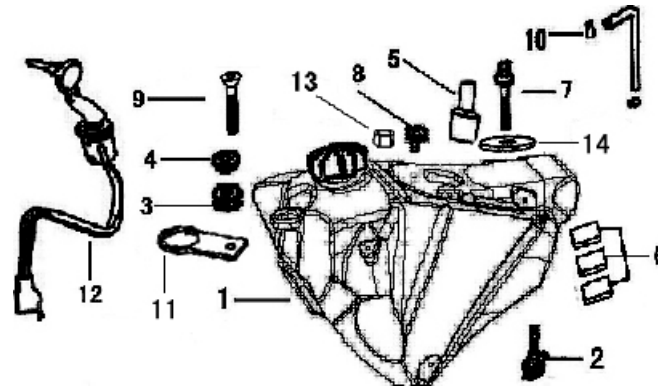


F01 塑料件 PLASTICS



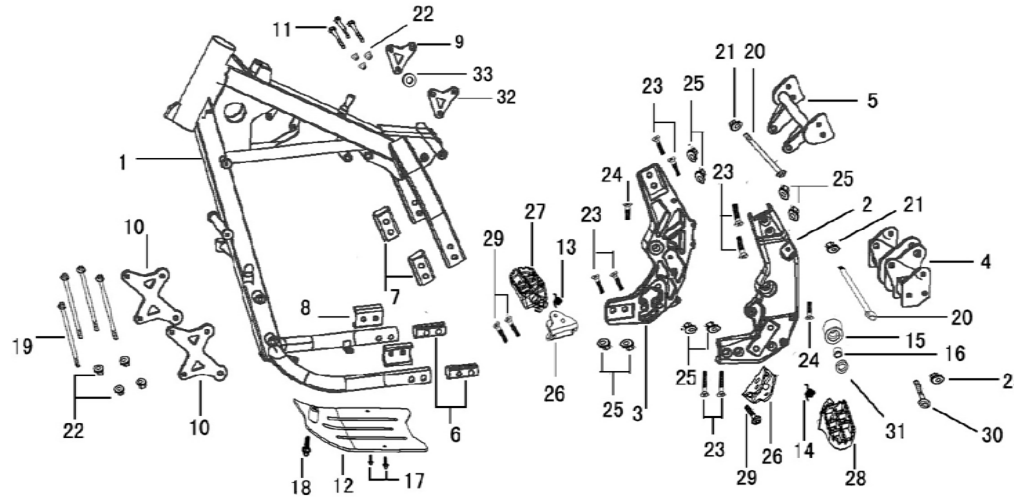
No.	Part No.零件代码	Part Name	Qty'数	No.	Part No.零件代码	Part Name	Qty'数
1	61100-YM1-000	front fender	1	14	61110-SPH-00	rubber cushion, front	2
2	77200-YM1-00	seat assy.	1	15	818-05010G	cross pan head screw	4
	77210-YM1-000	rear cover assy.	1	16	818-05010	cross pan head screw	4
4	77240-YM1-000	shroud,right	1	17	5789-06025Z	hex.flange bolt M6*25	1
5	77250-YM1-000	shroud,left	1	18	17527-YM1-02	water-proof sponge	1
6	77220-YM1-000	side cover,right	1	19	95-06018	large flat washer	2
7	77230-YM1-000	side cover,left	1	20	818-05010	cross cup head bolt	1
8	77260-YM1-000	rear fender	1	21	70.4-06012	head bolt	4
9	5789-08016Z	hex.flange bolt M8*16	4				
10	5789-08028Z	hex.flange bolt M8*28	1				
11	17526-YM1-00	rubber cushion, rear	1				
12	95-06025	large flat washer	1				
13	5789-08016Z	hex. flange bolt M6*16	3				

F02 油箱总成 FUEL TANK



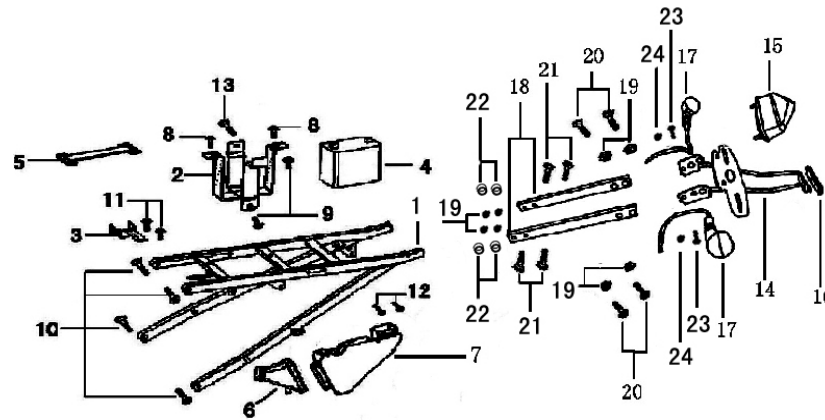
No.	Part No.零件代码	Part Name	Qty'数	No.	Part No.零件代码	Part Name	Qty'数
1	17520-YM1-00	fuel tank assy.	1	12	53180-SPH-01	key	1
2	16950-SPH-00	fuel cock assy.	1	13	30642-YM1-00	bushing,seat	1
3	17521-YM1-00	bushing,rubber cushion,	1	14	95-06025	(excircle diameter 18)	1
4	17522-YM1-00L	bushing,rubber cushion,	1				
5	17524-YM1-00	middle fix block, fuel	1				
6	17523-YM1-00	rear rubber cushion, fuel	3				
7	5789-06030Z	hex.flange bolt M6*30	1				
8	817-06016	cross cup head screw	1				
9	70.3-06030Z	hex. Socket countersunk	1				
10	16990-YM1-00	fuel pipe comp.	1				
11	53181-YM1-00	bracket,key	1				

F03 车架主梁部分 MAIN TUBE, FRAME



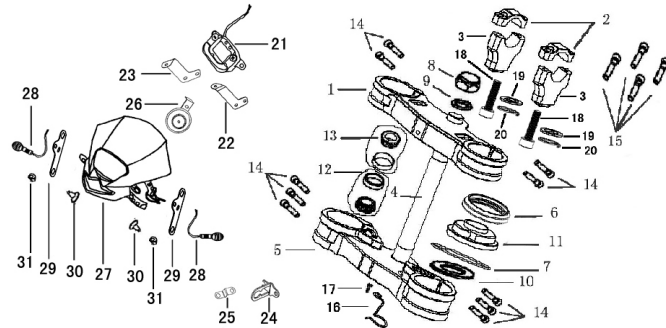
No.	Part No.零件代码	Part Name	Qty'数	No.	Part No.零件代码	Part Name	Qty'数
1	50110-YM1-00	main tube,frame	1	18	5789-06030Z	hex. flange bolt M6*30	1
2	50106-YM1-00L	side supporting tube, left	1	19	5789-	hex. flange bolt M8*90	4
3	50107-YM1-00L	side supporting tube,	1	20	5789-10110Z	hex. flange bolt	2
4	50191-YM1-00	engine supporter, rear	1	21	6187.1-10000Z	hex.flange self lock	2
5	50153-YM1-00	engine supporter, upper	1	22	6187.1-08000Z	hex.flange self lock	7
6	50193-YM1-00L	stiffener,supporting tube	2	23	70.3-10055Z	hex.socket	8
7	50208-YM1-00L	stiffener,rear connecting	2	24	70.3-10030	hex.socket	2
8	50189-YM1-00L	locking plate, supporting	2	25	6182-10000Z	hex.self lock nut	9
9	50184-YM1-00	upper bracket,	2	26	50611-YM1-00	brackets, foot pegs	2
10	50185-YM1-00	lower bracket, engine	2	27	50620-SPY5-00	right foot peg (with pin	1
11	5789-08065Z(对边12)	hex.flange bolt (thread 1.2)	3	28	50630-SPY5-00	left foot peg (with pin	1
12	83810-YM1-00L	engine guard comp.	1	29	70.2-10035Z	hex.socket	3
13	50622-SPX-00	releasing spring, right	1	30	70.2-10085Z	hex.socket	1
14	50635-SPX-00	releasing spring, left foot	1	31	95-10017Z-2.0	φ10*17*2	1
15	52120-YM1-00	chain tensioner wheel	1	32	50186-YM1-00	engine,left	1
16	52132-YM1-00	bushing, chain tensioner	1	33	46507-YM2-00	bracket, engine,right	1
17	5789-06010Z	hex.flange bolt M6*10	2				

F04 车架尾架 SUB FRAME



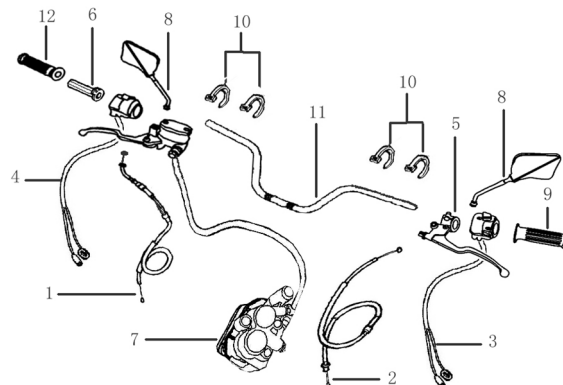
No.	Part No.零件代码	Part Name	Qty'数	No.	Part No.零件代码	Part Name	Qty'数
1	50170-YM1-00	sub frame component	1	14	98113-YM2-00	bracket,taillight	1
2	50220-YM1-00	battery bracket	1	15	98111-YM2-00	taillight	1
3	50183-YM1-00	relay bracket	1	16	98112-YM2-00	reflector	1
4	30810-YM1-00	battery	1	17	98120-YM1-00	turn light	2
5	30811-YM1-00	battery strap	1	18	98114-YM2-00	connecting bar	2
6	16240-YM1-00	rubber tube,air box	1	19	6182-06000Z	hex.flange nut M6	8
7	1720A-YM1-00	air box assy.	1	20	5787-06025Z	hex. flange bolt M6*25	2
8	5789-06020Z	hex.flange bolt M6*20	2	21	5787-06040Z	hex. flange bolt M6*40	4
9	5789-06010Z	hex. flange bolt M6*10	2	22	46507-YM1-00	bushing,muffler	4
10	70.2-08025	hex. socket button head	4	23	818-05015	bolt	2
11	5789-06016Z	hex. flange bolt M6*16	2	24	6182-05000	self lock nut	2
12	818-04020	cross countersunk head	2				
13	70.3-06025	head bolt M8*25	1				

F05 方向柱连板组件 STEERING STEM &



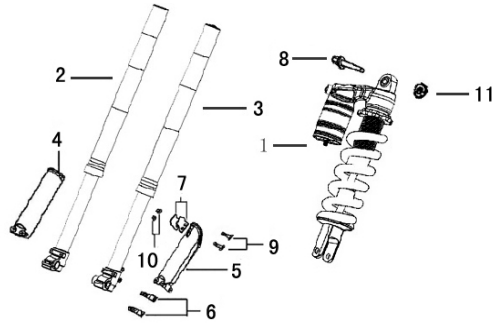
No.	Part No.零件代码	Part Name	Qty'数	No.	Part No.零件代码	Part Name	Qty'数
1	53231-YM1-00L	upper triple clamp	1	16	51511-SPH3-00	pipe clip, triple clamp	1
2	95014-YM1-00L	top bar mount	2	17	5789-0608Z	hex. flange screw	1
3	95015-YM1-00L	lower bar mount	2	18	70.1-10040Z-1.25	hex. Socket head cap	2
4	53202-YM1-00	steering stem	1	19	95-10017Z-2.0	flat washer	2
5	53201-YM1-00L	lower triple clamp	1	20	93-10000Z	spring washer	2
6	90505-YM1-00	gum cover, steering link	1	21	98115-YM1-00	speedo meter	1
7	90506-YM1-00	rubber seal, steering link	1	22	98116-YM2-00	speedo meter	1
8	90304-SPH6-00	steering stem nut	1	23	98118-YM2-00	speedo meter	1
9	90503-SPH-00	washer, steering stem	1	24	98117-YM2-00	speedo meter	1
10	53215-SPH-00	dust-proof washer,	1	25	98119-YM2-00	speedo meter	1
11	53220-SPH2-00	top nut, steering stem	1	26	98130-YM1-00	horn	1
12	50302-460/23.5-00	tapered roller bearing	1	27	98110-YM1-00	head light	1
13	50303-460/22-00	tapered roller bearing	1	28	98120-YM1-00	turn light	2
14	70.1-06025Z	hex. socket head cap	10	29	98121-YM1-00	bracket, turn light	1
15	70.1-08025Z	hex. socket head cap	4	30	818-05015Z	cross round head	2
				31	6182-05000Z	nut	2

F06 方向把组件 HANDLE BAR



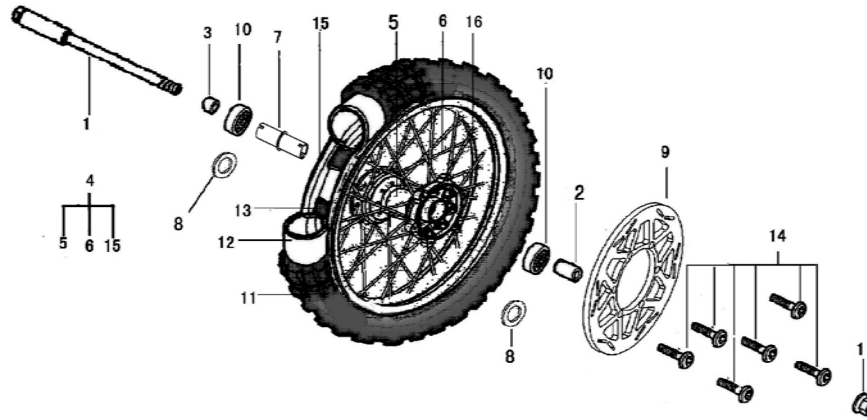
No.	Part No.零件代码	Part Name	Qty'数	No.	Part No.零件代码	Part Name	Qty'数
1	17910-SPX-00	throttle cable comp.	1				
2	22870-YM1-00	clutch cable comp.	1				
3	98140-YM1-00	left switch,handle bar	1				
4	98150-YM1-00	right switch,handle bar	1				
5	53170-YM1-00	clutch lever comp.	1				
6	53151-YM2-00	throttle	1				
7	4500B-YM2-00L	front brake assy.	1				
8	98114-YM2-00	rearview mirror	1				
9	53166-YM1-00	left grip	1				
10	32161-SPX-00	strap	4				
11	53100-KX-00L	handle bar(tapered)	1				
12	53165-YM1-00	right grip	1				

F07 FORKS & REAR SHOCK



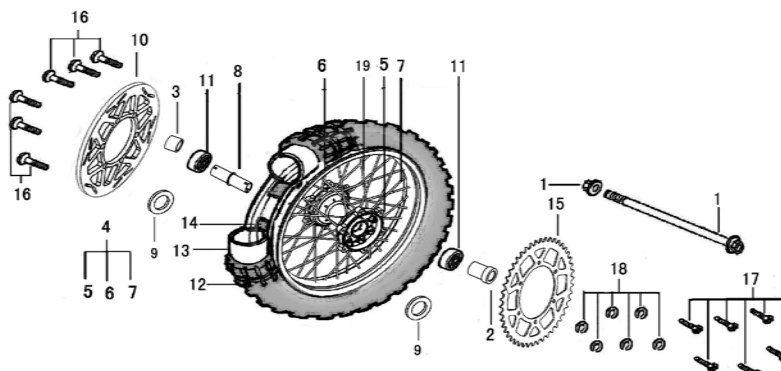
No.	Part No.零件代码	Part Name	Qty'数	No.	Part No.零件代码	Part Name	Qty'数
1	52400-YM1-00	rear shock assy.	1				
2	51400-YM1-00	front fork,right	1				
3	51500-YM1-00	front fork,left	1				
4	51420-KX-00	fork guard,right	1				
5	51520-KX-00	fork guard,left	1				
6	70.1-08030Z	hex. socket head cap	2				
7	51512-KX-00	clip,brake cable	2				
8	5789-10055Z	hex. flange bolt	1				
9	70.4-06016	hex.socket hemispheric	2				
10	6182-06000Z	hex. Self lock nut M6	2				
11	6187.1-10000Z	hex.flange self lock nut	1				

F08 前轮总成 FRONT WHEEL



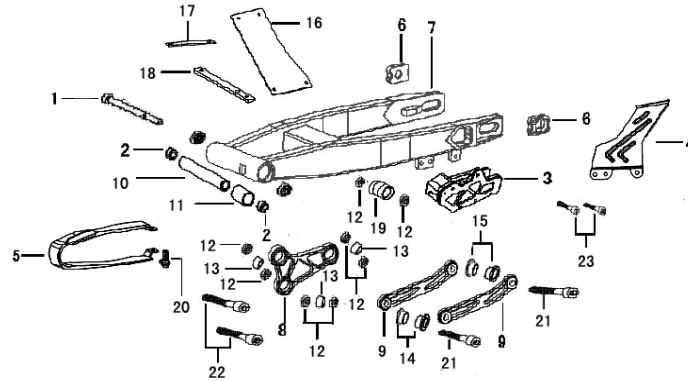
No.	Part No.零件代码	Part Name	Qty'数	No.	Part No.零件代码	Part Name	Qty'数
1	44301-YM1-00	axle,front wheel (with	1	13	44713-21-00Y	lining, front wheel	1
2	44311-YM1-00	left spacer, front wheel	1	14	70.3-08016	hex. socket button	6
3	44312-YM1-00	right spacer, front wheel	1	15	44601-1.6/21-00L	front rim	1
4	4460A-YM1-00L	front rim assy.	1	16	97172-200/21-00	wheel	18
5	44630-YM1-00L	front hub	1				
6	97171-221/21-00	inner & outer spoke,front	18				
7	44620-YM1-00	bushing, front wheel	1				
8	42631-YM1-00	O-ring, front hub	2				
9	45010-YM1-00	front brake disk 280	1				
10	52140-6203/2Z-00	bearing,front wheel	2				
11	44711-80/100-21-00Y	tire, front wheel 80/100-21	1				
12	44712-80/100-21-00Y	front tube	1				

F09 后轮总成 REAR WHEEL



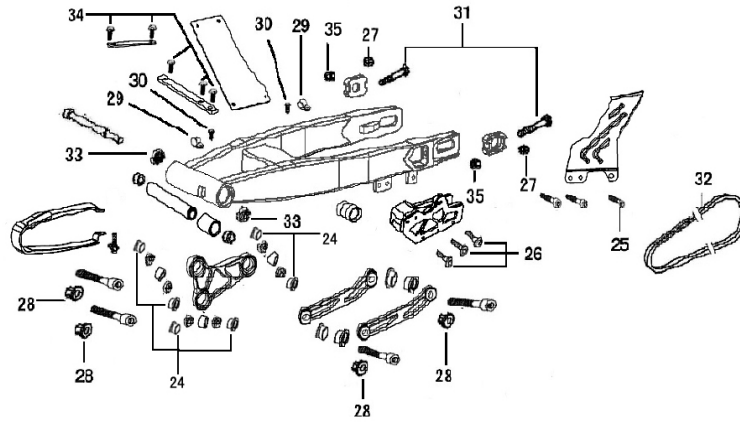
No.	Part No.零件代码	Part Name	Qty'数	No.	Part No.零件代码	Part Name	Qty'数
1	42301-YM1-00	axle, rear wheel (with self	1	14	42713-18-00Y	lining, rear wheel	1
2	42304-YM1-00	left spacer, rear wheel	1	15	41201-YM1/38-00	driven sprocket	1
3	42305-YM1-00	right spacer, rear wheel	1	16	70.3-08016	hex. socket button	6
4	4260A-YM1-00L	rear rim assy.	1	17	5783-08025	hex.bolt M8*20*1	6
5	42630-YM1-00L	rear hub	1	18	93-08000Z	spring washer 8	6
6	42601-2.15/18-00L	rear rim	1	19	97282-185/18-00	outer spoke, rear wheel	18
7	97281-190/18-00	inner spoke, rear wheel	18				
8	42620-YM1-00	bushing, rear wheel axle	1				
9	42633-YM1-00	O-ring, rear hub 27*42*8	2				
10	43010-YM1-00	rear brake disk 240	1				
11	52140-6004/2Z-00	bearing, rear wheel	2				
12	42711-110/100-18-00Y	rear tyre 110/100-18	1				
13	42712-110/100-18-00Y	rear tube	1				

F10 后平叉总成 SWINGARM



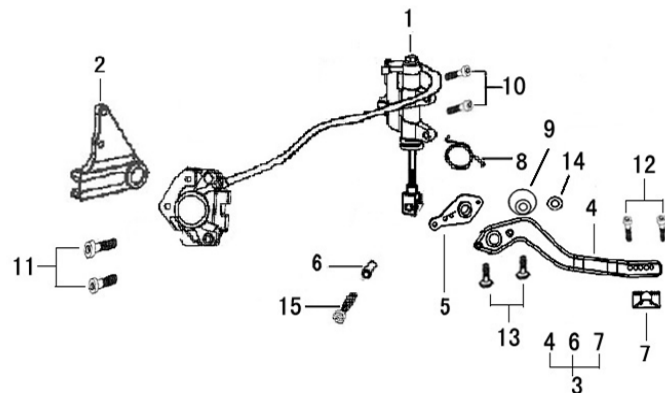
No.	Part No.零件代码	Part Name	Qty'数	No.	Part No.零件代码	Part Name	Qty'数
1	90120-YM1-00	axle, swingarm (with self	1	13	52306-YM1-00L	inner bushing, link	3
2	52108-YM1-00	bearing bushing,	2	14	52307-YM1-00	outer bushing 1 ,link	2
3	52150-YM1-00L	chain guard assy.	1	15	52308-YM1-00	outer bushing 2,link,	2
4	52221-YM1-00	sprocket guard	1	16	77263-YM1-00	rubber, mud cover	1
5	52110-YM1-00	chain slider	1	17	77262-YM1-00	upper locking block ,	1
6	40543-YM1-00L	chain adjuster	2	18	77261-YM1-00	lower locking block,	1
7	52100-YM1-00L	swingarm assy.	1	19	52305-YM1-00	bearing cover, rear	1
8	52301-YM1-00L	main body,	1	20	5789-06010Z	hex. flange bolt M6*10	1
9	52302-YM1-00L	connecting bar,	2	21	70.1-12060Z	hex. socket head cap	2
10	52303-YM1-00L	inner bushing 1,	1	22	70.1-12090Z	hex. socket head cap	2
11	52304-YM1-00	inner bushing 2,	1	23	70.1-08055Z	hex. socket head cap	2
12	52140-61902/2Z-00	link bearing 28*15*7	8				

F10 后平叉总成 SWINGARM



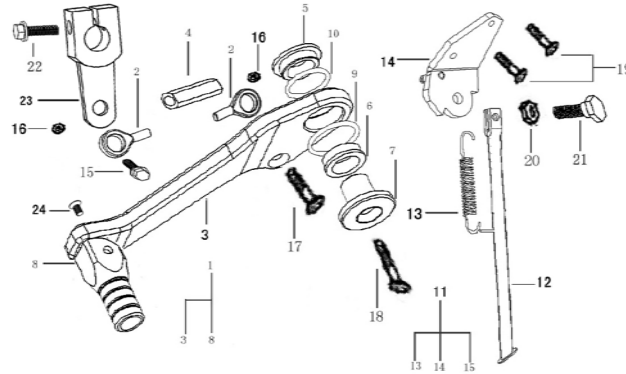
No.	Part No.零件代码	Part Name	Qty'数	No.	Part No.零件代码	Part Name	Qty'数
24	52307-YM1-00	outer bushing 1, link	6	33	52140-6004/2Z-00	bearing,swingarm	2
25	70.1-08030	hex. socket head cap	1	34	5789-06020Z	hex.flange bolt M6*20	5
26	70.1-06050Z	hex.socket cup head	3	35	6182-08000Z	nut	2
27	6170-08000Z	hex. Nut M8	4				
28	6182-12000Z	hex.self lock nut	4				
29	51513-SPG-00	clip,rear brake pipe	2				
30	818-05012	cross tapping screw	2				
31	5783-08060(对边 12)	hex.bolt M8*60(full	2				
32	40530-YM1-00	driving chain	1				

F11 后刹车组件总成 REAR BRAKE



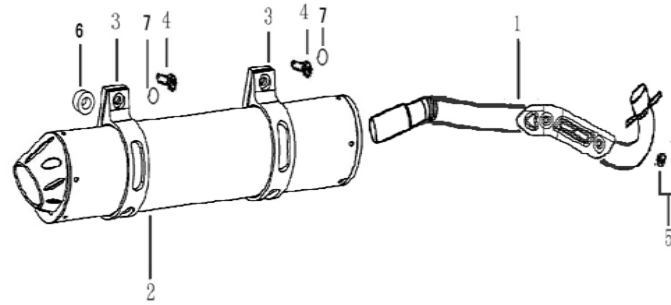
No.	Part No.零件代码	Part Name	Qty'数	No.	Part No.零件代码	Part Name	Qty'数
1	4300B-YM2-00L	rear brake subassembly	1	12	70.1-06016	hex. socket head cap	2
2	43020-YM1-00L	bracket, rear caliper	1	13	70.1-06010Z	hex.socket	2
3	46500-YM1-00L	brake pedal assy.	1	14	70.3-06028	hex.socket	1
4	46502-YM1-00L	brake pedal	1	15	70.2-10035Z	hex.socket	1
5	46530-YM1-00	spacer,brake pedal	1				
6	46520-YM1-00	spacer,rear brake	1				
7	46503-SPX-00L	triple end ,brake pedal	1				
8	46510-YM1-00	releasing spring, brake	1				
9	46540-YM1-00L	adjuster,rear brake	1				
10	70.1-06020Z	hex. socket head cap	2				
11	70.1-08020Z	hex. socket head cap	2				

F12 变档杆和侧支架 GEAR PEDAL & SIDE



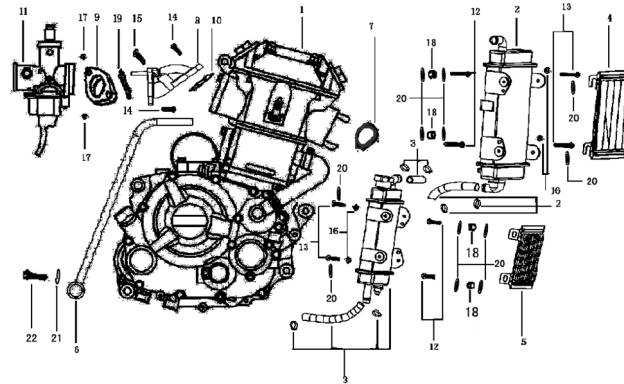
No.	Part No.零件代码	Part Name	Qty'数	No.	Part No.零件代码	Part Name	Qty'数
1	24700-YM1-00L	gear pedal comp.	1	14	50541-YM1-00	connecting plate, side	1
2	24710-YM1-00	joint bearing	2	15	5789-06020Z	hex. flange bolt M6*20	1
3	24721-YM1-00L	shift pedal body	1	16	6182-06000	hex.self lock nut M6	2
4	24725-YM1-00	adjusting shaft ,joint	1	17	70.3-06028	hex.socket	1
5	24726-YM1-00	nylon bushing 1	1	18	70.3-08035Z	hex.socket	1
6	24728-YM1-00	nylon bushing 2	1	19	70.3-08025Z	hex.socket	2
7	24727-YM1-00L	inner bushing	1	20	6170-10000Z-1.25	hex.nut M10*1.25	1
8	24722-YM1-00L	top end ,gear pedal	1	21	27-10030B-1.25-18	step bolt (step 18)	1
9	11107-28/2.4-00	O-ring 28*2.4	1	22	5783-06020	hex.flange bolt M6*20	1
10	11107-24/2.4-00	O-ring 24*2.4	1	23	24720-YM1-00	connector,gear pedal	1
11	50540-YM1-00E	side stand assy.	1	24	70.3-0608Z	head screw	1
12	50540-YM1-00	side stand	1				
13	50545-YM1-00	spring,side stand	1				

F13 排气消音总成 EXHAUST



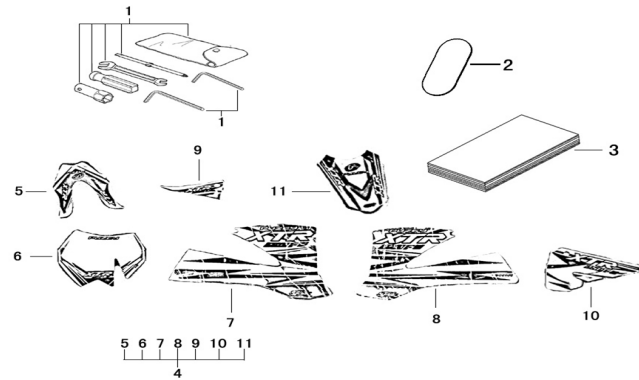
No.	Part No.零件代码	Part Name	Qty'数	No.	Part No.零件代码	Part Name	Qty'数
1	18320-YM1-00	exhaust pipe comp.	1				
2	18330-YM1-00L	muffler assy.	1				
3	18333-SPX-00L	muffler clamp	2				
4	70.2-08020Z	hex. socket button head	2				
5	6170-080000Z	hex. nut M8	2				
6	18332-SPH-00	bushing, muffler	1				
7	93-08000Z	spring washer	2				

F14 发动机总成 ENGINE



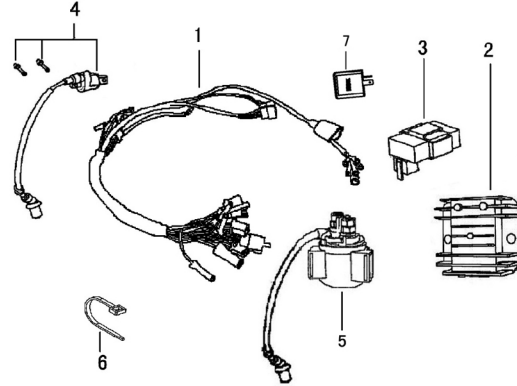
序号	Part No.零件代码	Part Name	Qty'数	No.	Part No.零件代码	Part Name	Qty'数
1	1100A-YM1-00	engine assy. (water	1	14	5787-06015Z	hex.flange bolt M6*15	2
2	30620-YM1-00	water radiator ,left (with	1	15	5787-06028Z	hex.flange bolt M6*28	1
3	30630-YM1-00	water radiator ,right (with	1	16	6177.1-06000Z	hex.flange nut M6	4
4	30621-YM1-00	air deflector, left	1	17	6182-06000Z	hex.flange self lock	2
5	30631-YM1-00	air deflector, right	1	18	30641-YM1-00	connector, air deflector	2
6	28300-YM1-00	kick pedal	1	19	16231-YM1-00	gasket, carburettor	1
7	18291-YM1-00	gasket, exhaust pipe	1	20	95-06018	large flat washer	12
8	16210-YM1-00	manifold	1	21	93-08000Z	spring washer	1
9	16220-YM1-00	thermal shield,	1	22	5783-08025	hex. flange bolt	1
10	16230-YM1-00	gasket, manifold	1				
11	1600A-YM1-00	carburettor assy.	1				
12	5789-06030Z	hex.flange bolt M6*30	4				
13	5789-06020Z	hex.flange bolt M6*20	4				

F15 随车附件 ACCESSORIES



No.	Part No.零件代码	Part Name	Qty'数	No.	Part No.零件代码	Part Name	Qty'数
1	89010-SPH-00	tool kit	1				
2	01000-YM1-00	nameplate	1				
3	03000-YM1-00	owner's manual	1				
4	87100-YM1-00P	sticker kit	1				
5	87101-YM1-00P	sticker, front fender	1				
6	87102-YM1-00P	sticker, front number	1				
7	87103-YM1-00P	sticker, right shroud	1				
8	87104-YM1-00P	sticker, left shroud	1				
9	87105-YM1-00P	sticker, side cover, right	1				
10	87106-YM1-00P	sticker, side cover, left	1				
11	87107-YM1-00P	sticker, rear cover	1				

F16 电器件 ELECTRICAL APPLIANCE



No.	Part No.零件代码	Part Name	Qty'数	No.	Part No.零件代码	Part Name	Qty'数
1	32100-YM1-00	wire harness	1				
2	30610-YM1-00	rectifier	1				
3	30410-YM1-00	C.D.I. component	1				
4	30510-YM1-00	ignition coil component	1				
5	30710-YM1-00	relay	1				
6	32161-SPH-00	strap 150mm	1				
7	98113-YM2-00	flasher	1				