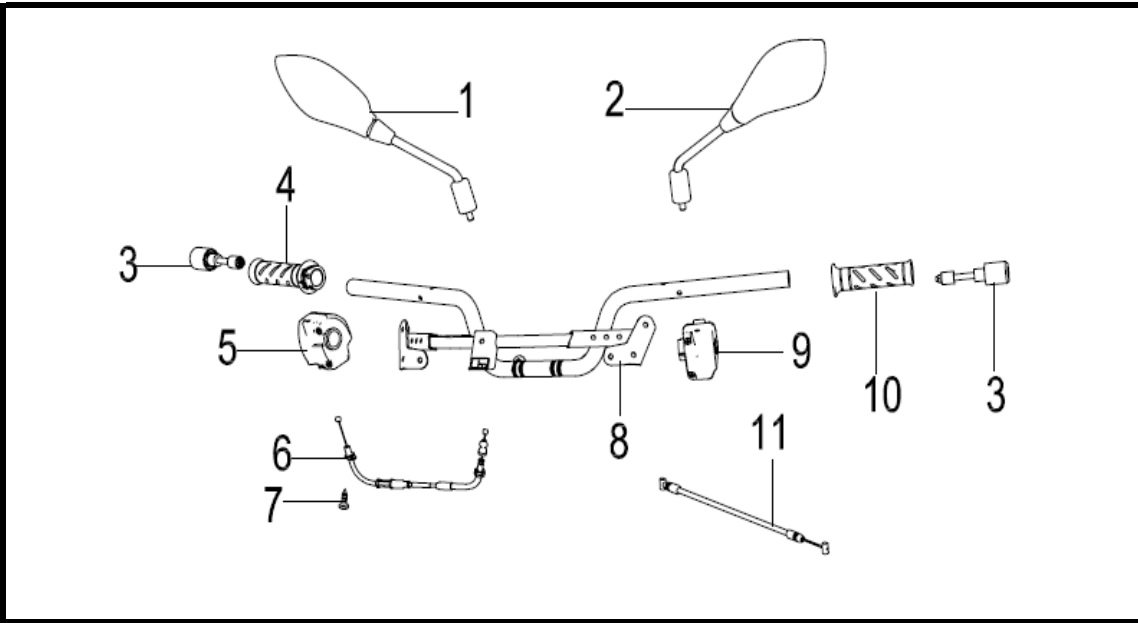


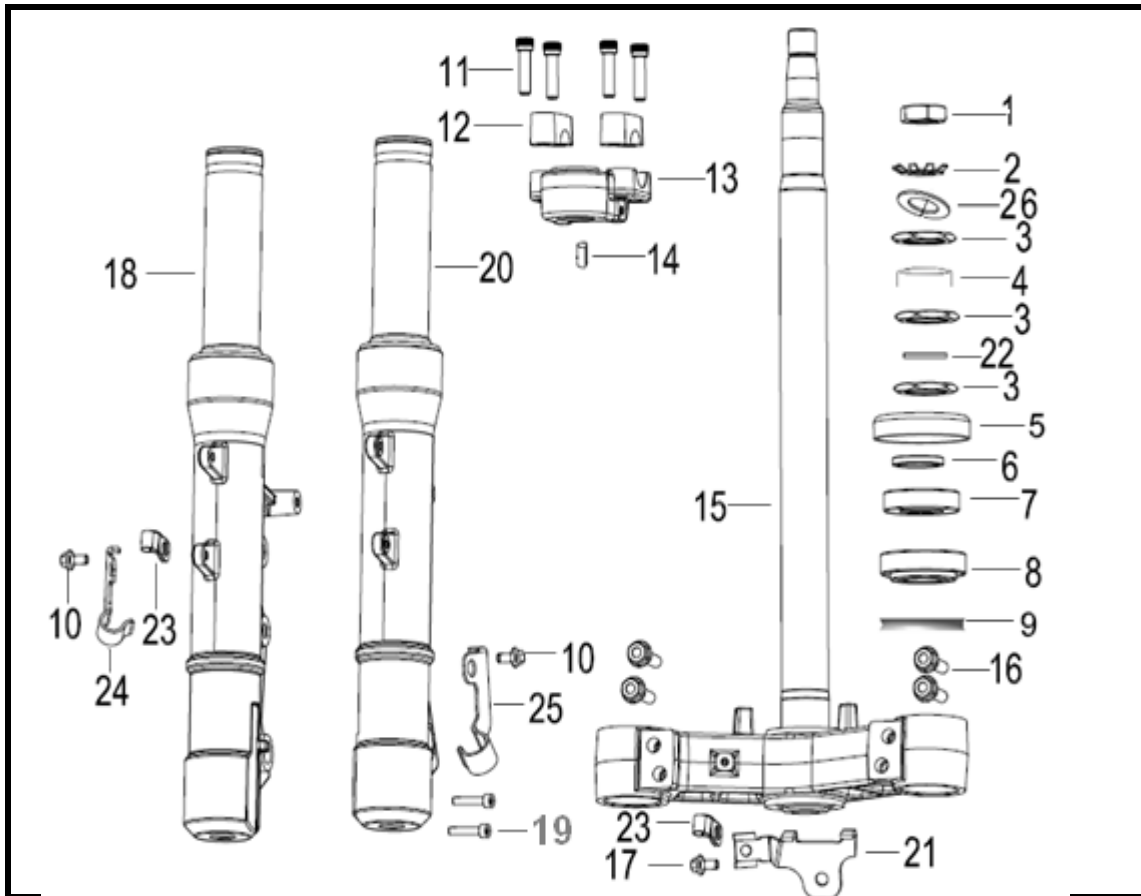
SILVERBLADE 250
F01 操纵 CONTROL ASSY.



NO.	CODE	EN DESCRIPTION
1	40480N120000	REAR VIEW MIRROR ASSY.,R
2	40450N120000	REAR VIEW MIRROR ASSY.,L
3	40030J000022	BALANCER ASSY.
4	40210N120000	HANDLEBAR GRIP,R
5	40600N120001	SWITCH ASSY.,R.
6	40300N120000	THROTTLE CABLE SUBASSEMBLY
7	B02000501025	SCREW 5x10MM
8	40100N120000	HANDLEBAR ASSY
9	40500N120000	SWITCH ASSY.,L
10	40001H010001	HANDLEBAR GRIP,L
11	58900N120000	CABLE STEEL

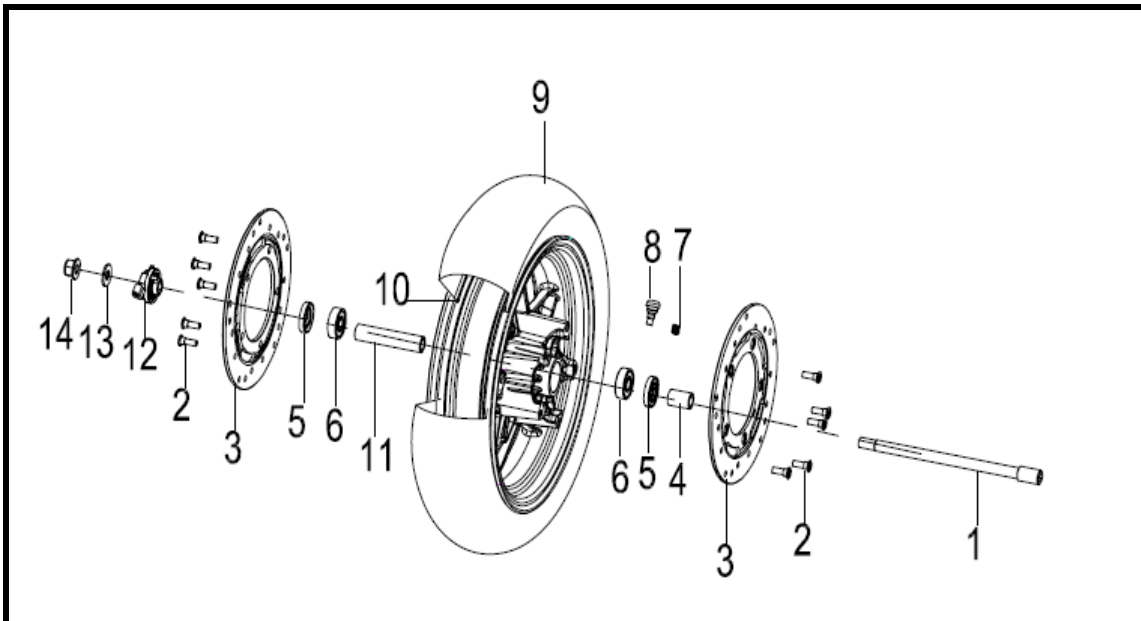
SILVERBLADE 250

F02 前叉 FORK ASSY.



NO.	CODE	EN DESCRIPTION
1	B04032015003	NUT M20x1.5
2	43059N120000	WASHER
3	43008N120000	NUT
4	43007N120000	WASHER STOPPERφ31×φ20×1.5
5	43022N100000	COVER, DUSTPROOF
6	43029N100000	BUSH
7	B12016000600	BEARING 6006--2RS
8	43004T180000	BEARING 32007
9	43006T430000	RING ANTI-DUST
10	B01090601265	BOLT M6x12
11	B02050803064	SCREW 8x30MM
12	43014N120000	SEAT HANDLERBAR UPPER
13	43013N120000	SEAT HANDLERBAR LOWER
14	B11180465160	SPLINE 4x6.5x16
15	43100N120000	BOTTOM JOINT BRACKET, ASSY.
16	B01090803565	BOLT M8x35
17	B01090501065	BOLT M5x10
18	43300N120000	FRONT SUSPENSION ASSY.RH.BLACK B4
19	B02050602565	SCREW M6x25
20	43200N120000	FRONT SUSPENSION ASSY.LH.BLACK B4

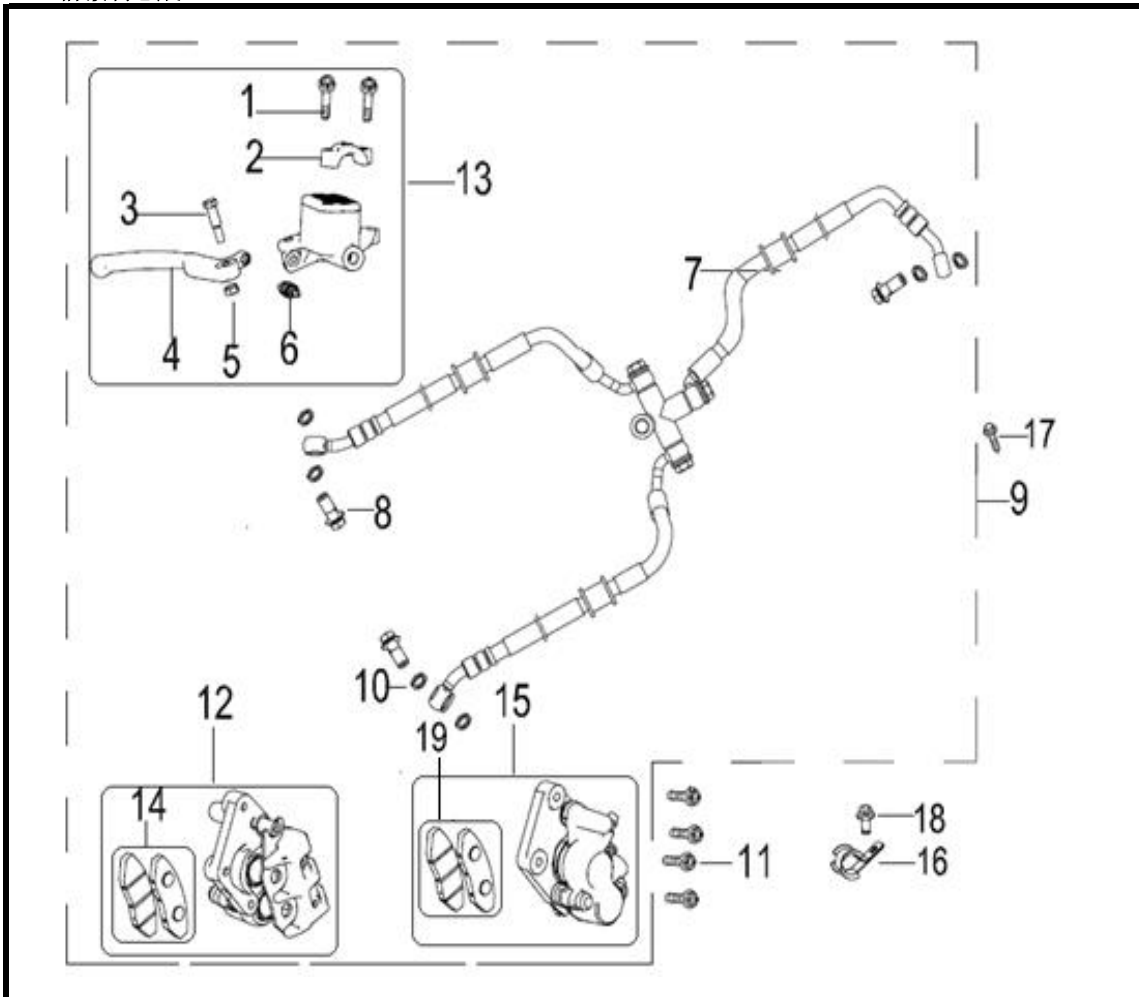
F03 前轮 FRONT WHEEL ASSY.



NO.	CODE	EN DESCRIPTION
1	44004N120000	FRONT WHEEL AXLE
2	45036K010000	BOLT
3	45033N120000	FRONT BRAKE DISK I
4	44005N100000	AXLE BUSH,LH
5	44300J130000	SEAL RING RH
6	B12016030200	BEARING 6302--2RS
7	B1404Z2011A0	CAP,VALVE
8	B1403Z201120	RIM VALVE
9	B140107D1410	TIRE 120/70-14
10	44101N120000	FRONT WHEEL BLACK B5
11	44006N120000	MIDST AXLE BUSH
12	44200N120000	SPEEDOMETER GEAR COMP.
13	44027N100000	WASHER
14	B04171415053	NUT M14x1.5

SILVERBLADE 250

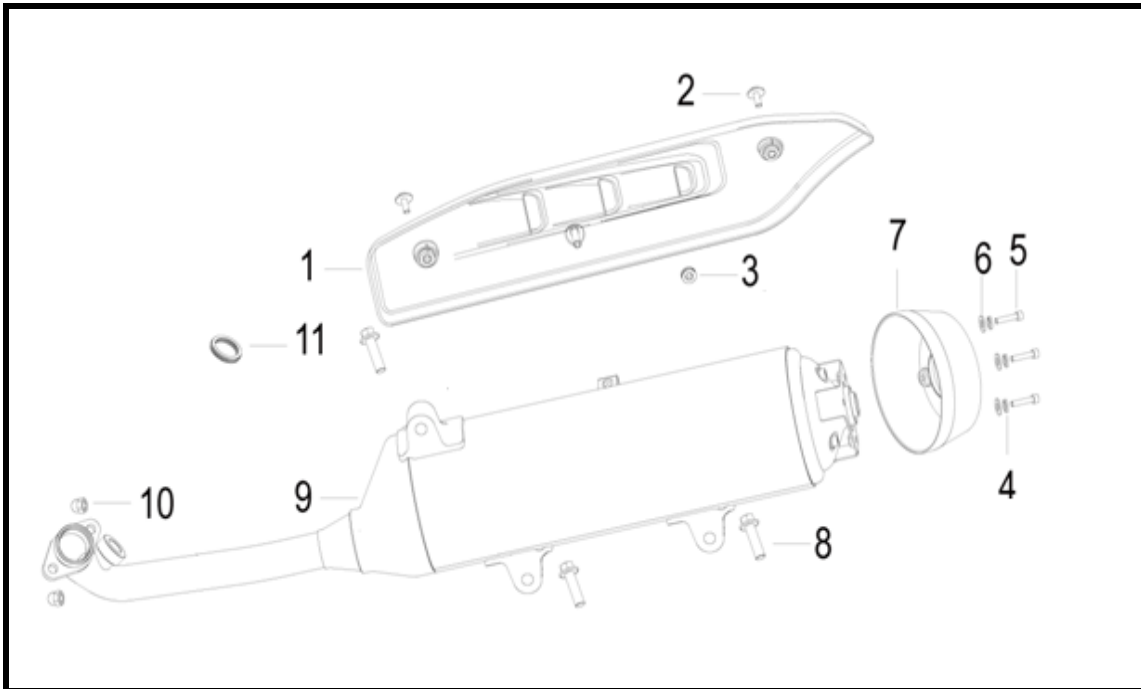
F04 前液刹总成 FRONT DISK BRAKE



NO.	CODE	EN DESCRIPTION
1	B02050602525	BOLT
2	45023N140000	BRACKET
3	45024N140000	BOLT
4	55022N140000	DISK BRAKE LEVER
5	B04160600065	NUT M6
6	45300N140000	SWITCH,FRONT BRAKE
7	45200N120000	FRONT BRAKE HOSE
8	45037J000000	BOLT
9	45900N120000	DISC BRAKE ASSY,FRONT
10	45029J000000	SEAL
11	B01090803565	BOLT M8x35
12	45500N120000	CALIPER ASSY.FRONT RIGHT
13	45400N140000	CYLINDER COMP.
14	45120T400000	BRAKE PAD KIT ASSY,RIGHT
15	45600N120000	CALIPER ASSY.FRONT LEFT
16	45044T430000	FR.BRAKE HOSE HOLDER
17	B01090603565	BOLT M6x35
18	B01090601265	BOLT M6x12
19	45120B960000	BRAKE PAD KIT ASSY,LEFT

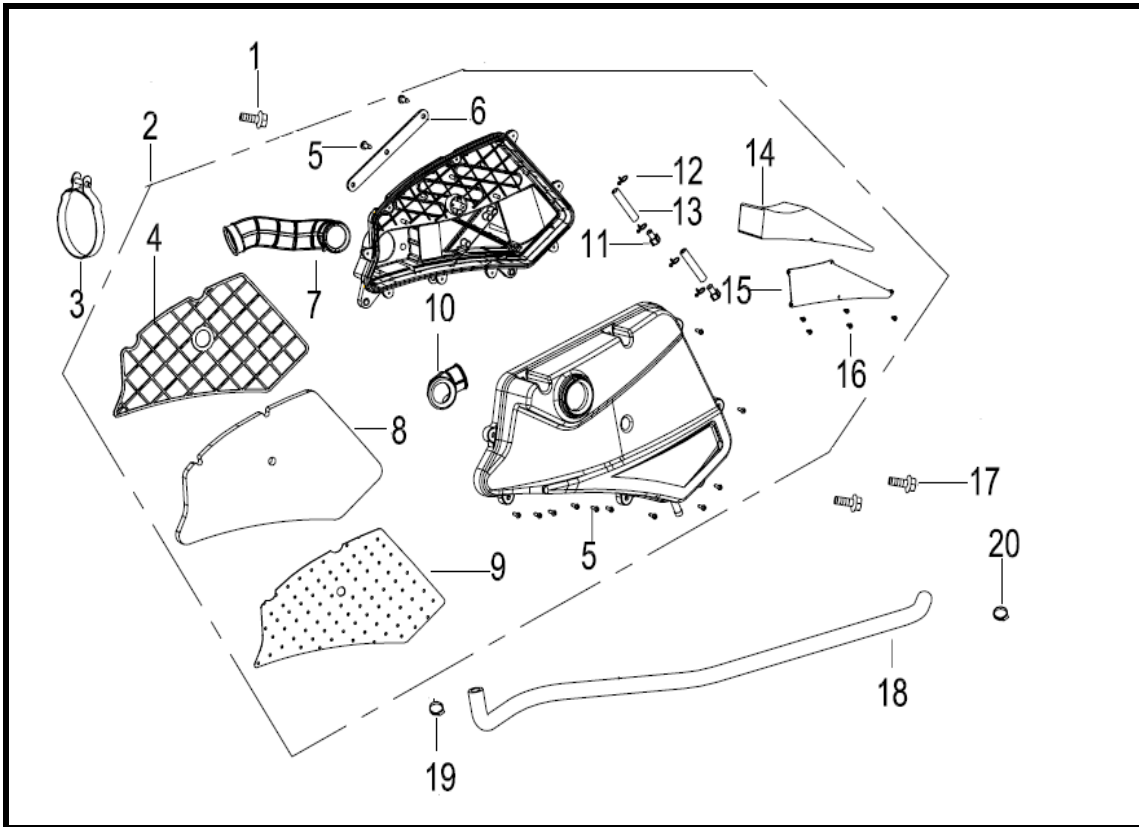
SILVERBLADE 250

F05 消声器 MUFFLER ASSY.



NO.	CODE	EN DESCRIPTION
1	47760N12HU00	ORNAMENT PLATE,SILVER GRAY HU
2	B13060602005	BOLT ASSY M6×20
3	47142T430000	RUBBER SLEEVE
4	B0700000060A	WASHER Φ6
5	B0205060126L	SCREW M6×12
6	B07030000604	WASHER Φ6
7	47781N120000	COVER COMP.,REAR.
8	B01591009565	BOLT M10×1.25×95
9	47100N120000	MUFFLER JOINTING ASSY,with double catalyzer
9	47100N120002	MUFFLER JOINTING ASSY,without catalyzer
10	B04220800044	NUT M8
11	47800J000000	WENT-PIPI LINER

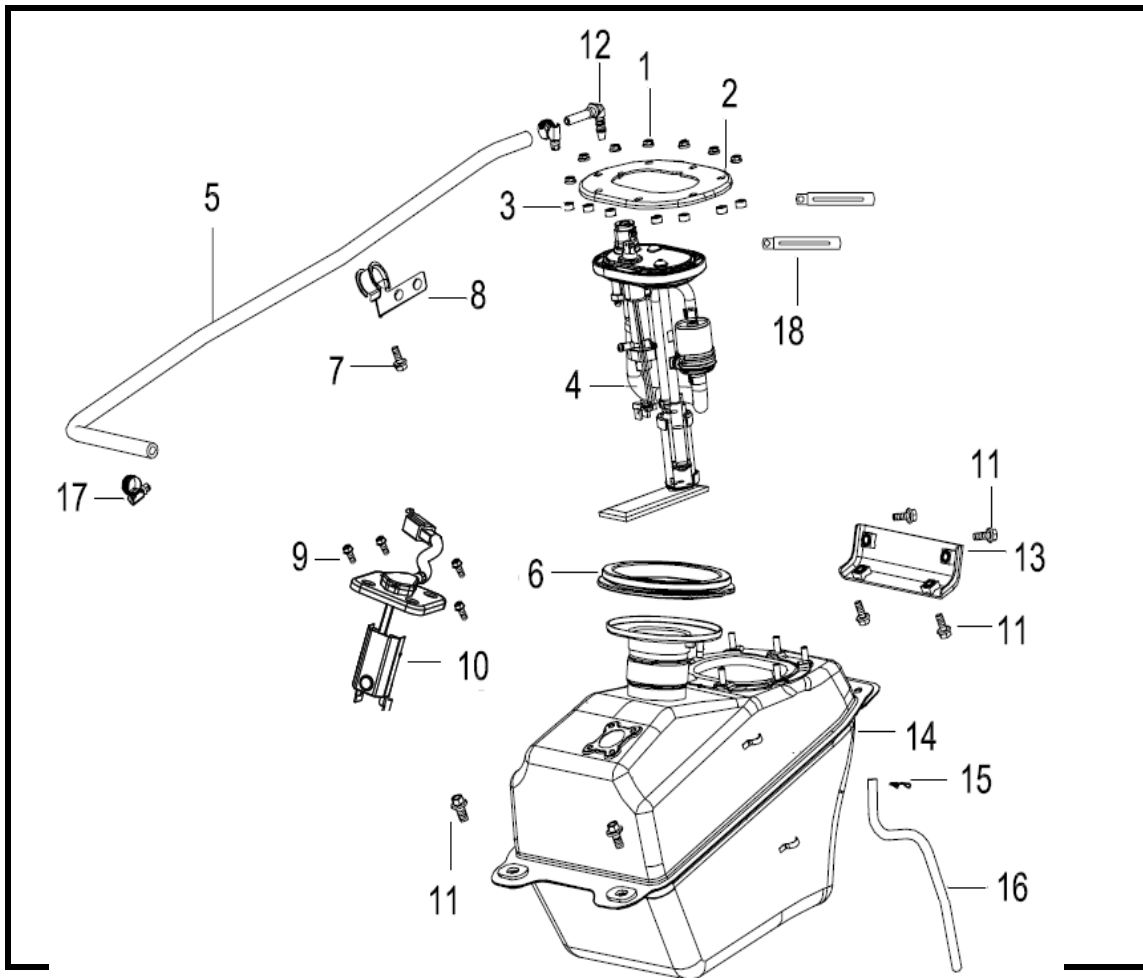
F06 空濾器 AIR CLEANER ASSY.



NO.	CODE	EN DESCRIPTION
1	B01090501265	BOLT M5x12
2	49100N120001	AIR CLEANER
3	49016N070000	CLIP 50
4	49205N120000	PLATE FIX
5	B05004801605	TAPPING SCREW ST4.8x16
6	49361N120000	PLATE FIX
7	49005N120000	PIPE.AIR OUTLET
8	49208N120000	SPONGE AIR ELEMENT
9	49207N120000	SPONGE AIR ELEMENT2
10	49002N120000	INTAKE PIPE
11	49011T020000	OIL TUCK
12	B17010110003	CLIP Φ 11
13	49009N100000	OIL LINE
14	49382N120000	OIL CHAMBER
15	49003N120000	UPPER COVER, OIL CHAMBER
16	B05003501205	TAPPING SCREW ST3.5x12
17	B01090603065	BOLT M6x30
18	49025N120000	VAT AIR BACK
19	B17010130003	CLIP Φ 13
20	B17010125003	CLIP Φ 12.5

SILVERBLADE 250

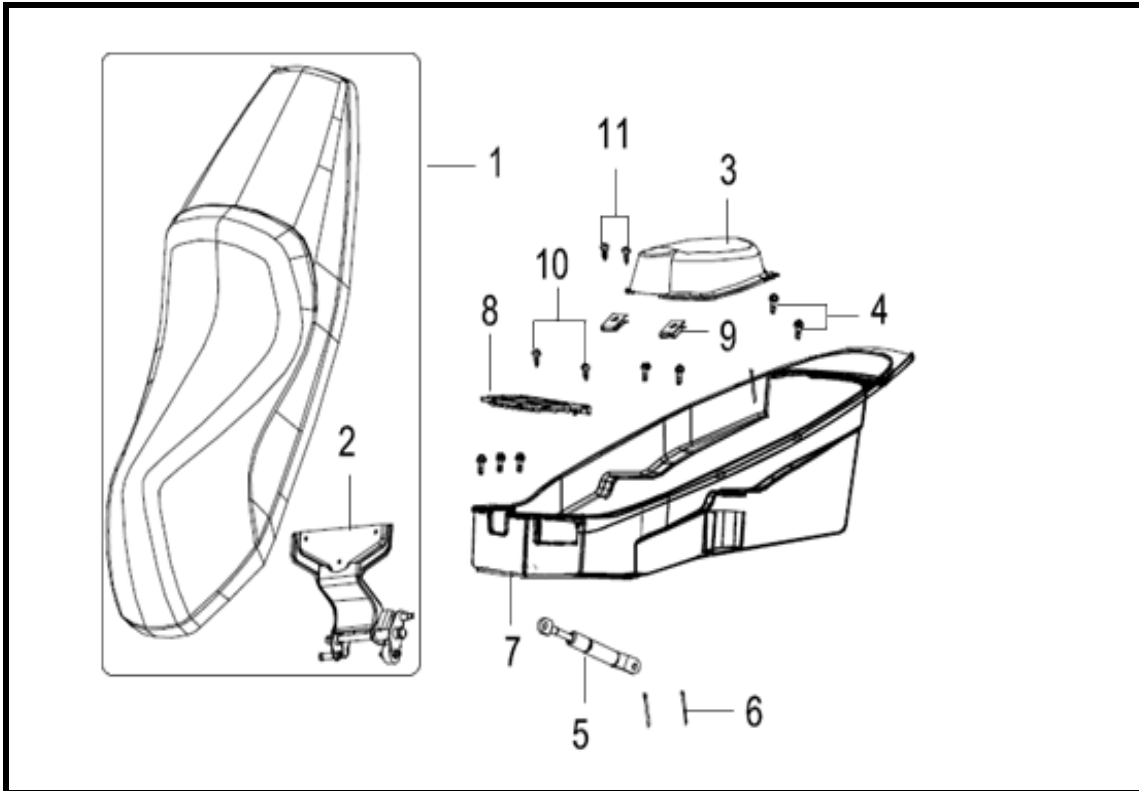
F07 油箱总成 FUEL TANK



NO.	CODE	EN DESCRIPTION
1	B04070600055	NUT M6
2	50182N120000	PLATE COVER GASOLINE PUMP
3	50027N140001	RUBBER BUSH GASOLINE PUMP
4	50400N120000	GASOLINE PUMP
5	50073N120000	OIL LINE $\phi 8 \times \phi 14 \times 980$
6	50208N120000	SEAL
7	B01090601265	BOLT M6x12
8	43035J410000	FORMER FLUID BRAKE WIRE CLIP
9	08016B920000	BOLT W/WASHER M5x14
10	50800N120000	GUAGE ASSY
11	B01070801665	BOLT M8x16
12	50080N140001	OIL TUBE JOINT
13	50170N120000	MOUNTING PLATE
14	50100N120000	FUEL TANK
15	B17010105003	CLIP $\phi 10.5$
16	B16010724001	PIPE $\phi 7 \times 2 \times 400$
17	B1701016000A	CLIP $\phi 16$
18	58430J000000	CLIP ASSY 81mm

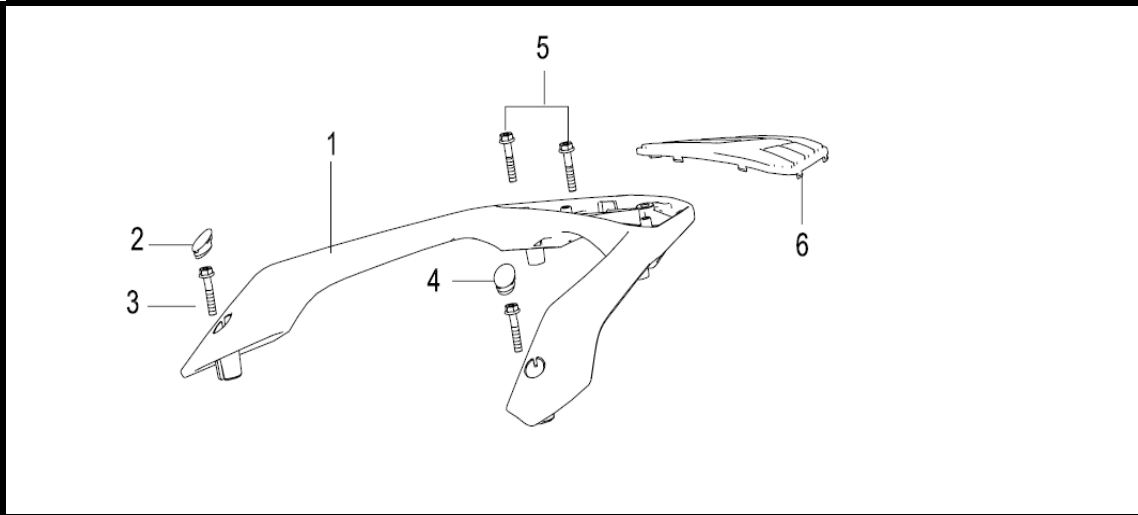
SILVERBLADE 250

F08 座墊 SEAT ASSY.



NO.	CODE	EN DESCRIPTION
1	51100N120000	SEAT ASSY
2	51080N120000	SEAT HINGE
3	51005N120000	BOTTOM COVER LUGGAGE BOX COMP
4	B01090601265	BOLT M6x12
5	51700N120000	GAS SPRING
6	08382B000000	SPLIT PIN
7	51004N120000	LUGGAGE BOX COMP
8	65813N120000	COVER,BATTERY
9	65801T020020	SPRING CLIP,ST4.2MM
10	B05074201605	TAPPING SCREW ST4.2x16
11	B05074201305	TAPPING SCREW ST4.2x13

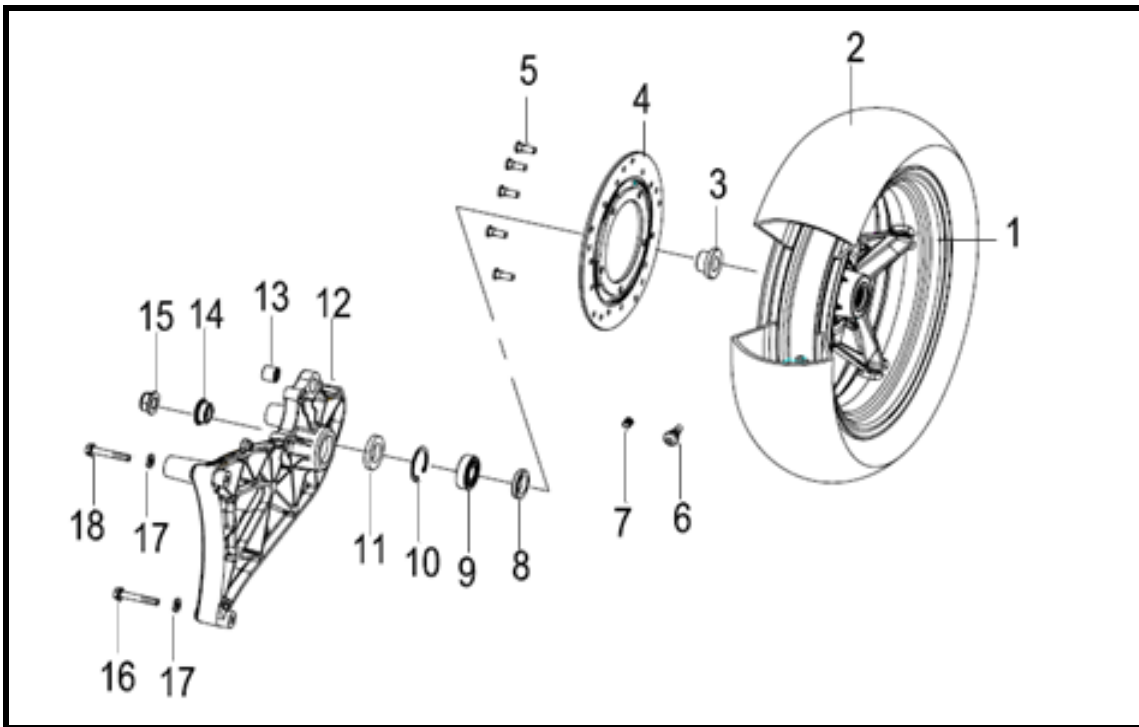
F09 后扶手 REAR CARRIER



NO.	CODE	EN DESCRIPTION
1	52010N12HU00	REAR CARRIER SILVER GRAY HU
2	52005N120000	GLUE BUSH,REAER CARRIER
3	B01070805065	BOLT M8x50
4	52004N120000	GLUE BUSH,REAR CARRIER
5	B01070805065	BOLT M8x50
6	52003N120000	COVER,REAR CARRIER

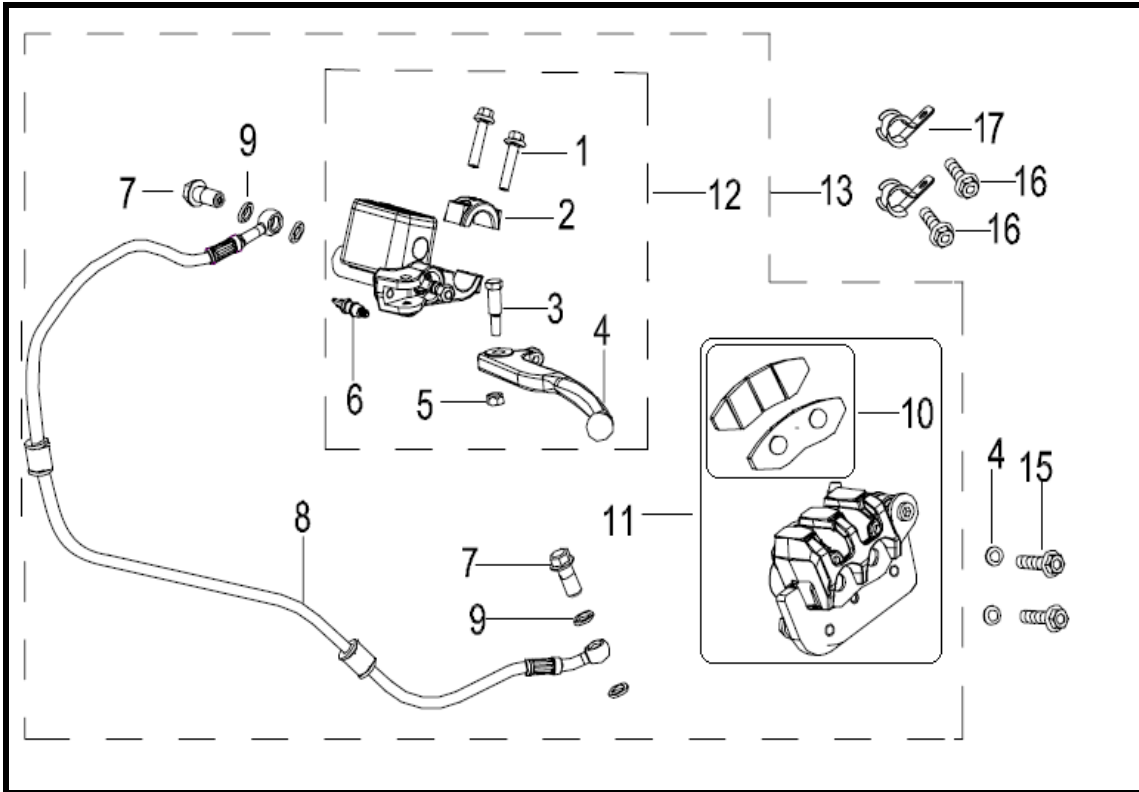
SILVERBLADE 250

F10 后轮 REAR WHEEL ASSY.



NO.	CODE	EN DESCRIPTION
1	54100N12B500	REAR RIM BLACK B5
2	B140109C1410	TIRE 140/60-14
3	54006N120000	COLLAR
4	45033N120000	FRONT BRAKE DISK I
5	45036K010000	BOLT
6	B1403Z201120	RIM VALVE
7	B1404Z2011A0	CAP, VALVE
8	B2204FB28407	SEAL RING 28x40x7
9	B12016020400	BEARING 6204--2RS
10	B08000004701	WASHER Φ 47
11	B2204FB28477	SEAL RING 28x47x7
12	54611N120000	HANGER ASSY RR SHOCK ABSORBER
13	58340W020000	COLLAR II
14	54005N120000	COLLAR
15	B04171815053	NUT M18x1.5
16	B01090807065	BOLT M8x70
17	B07030000805	WASHER Φ 8
18	B02050806565	SCREW M8x65

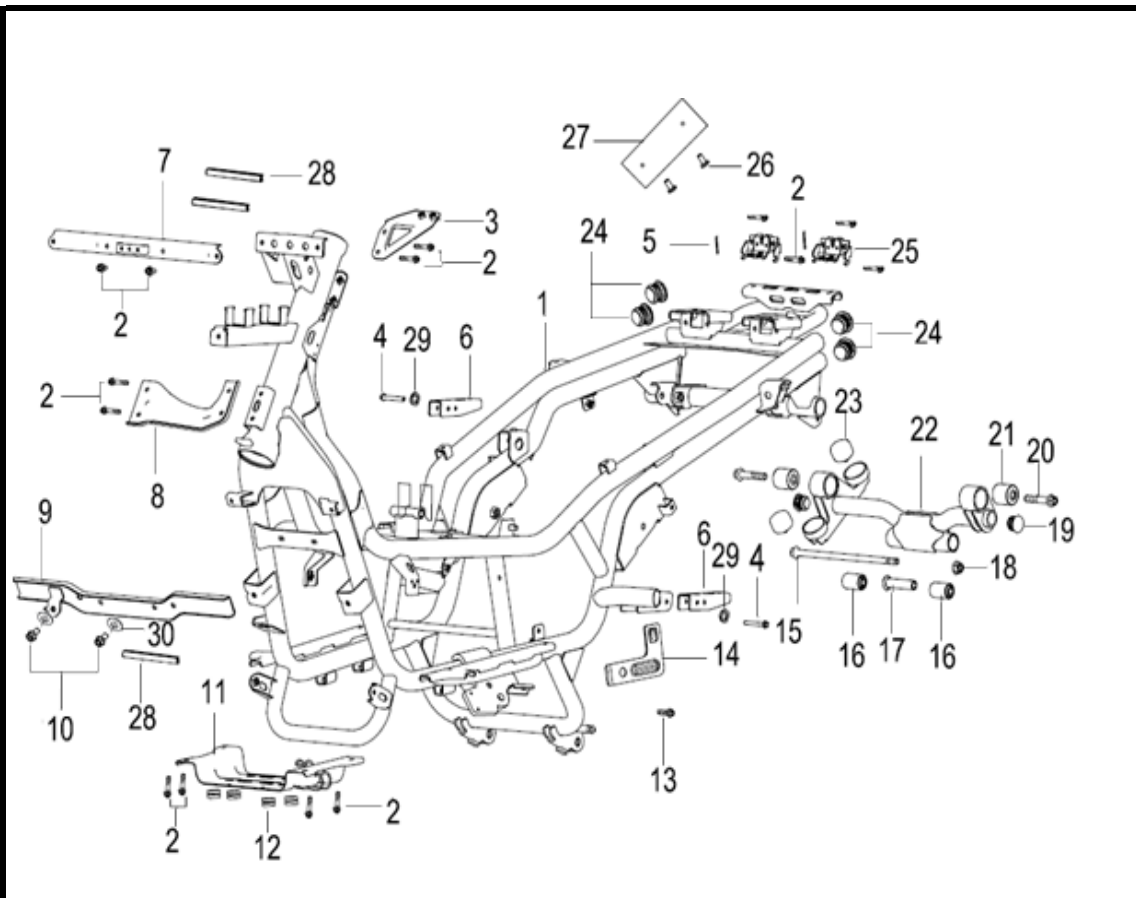
F11 后液刹总成 FRONT DISK BRAKE



NO.	CODE	EN DESCRIPTION
1	B02050602525	BOLT M6x35
2	45023N140000	BRACKET
3	45024N140000	BOLT
4	55022N140000	DISK BRAKE LEVER,REAR
5	B04160600065	NUT M6
6	45300N140000	SWITCH,FRONT BRAKE
7	45037J000000	BOLT
8	55200N120000	BRAKE HOSE,REAR DISK BRAKE
9	45029J000000	SEAL
10	55110N120000	BRAKE PAD KIT ASSY
11	55500N120000	CALIPER ASSY.
12	55400N140000	CYLINDER COMP.
13	55900N120000	REAR DISK BRAKE ASSY.
14	B07030000805	WASHER
15	B01090803565	BOLT M8x35
16	B01090601265	BOLT M6x12
17	45044T430000	FR.BRAKE HOSE HOLDER

SILVERBLADE 250

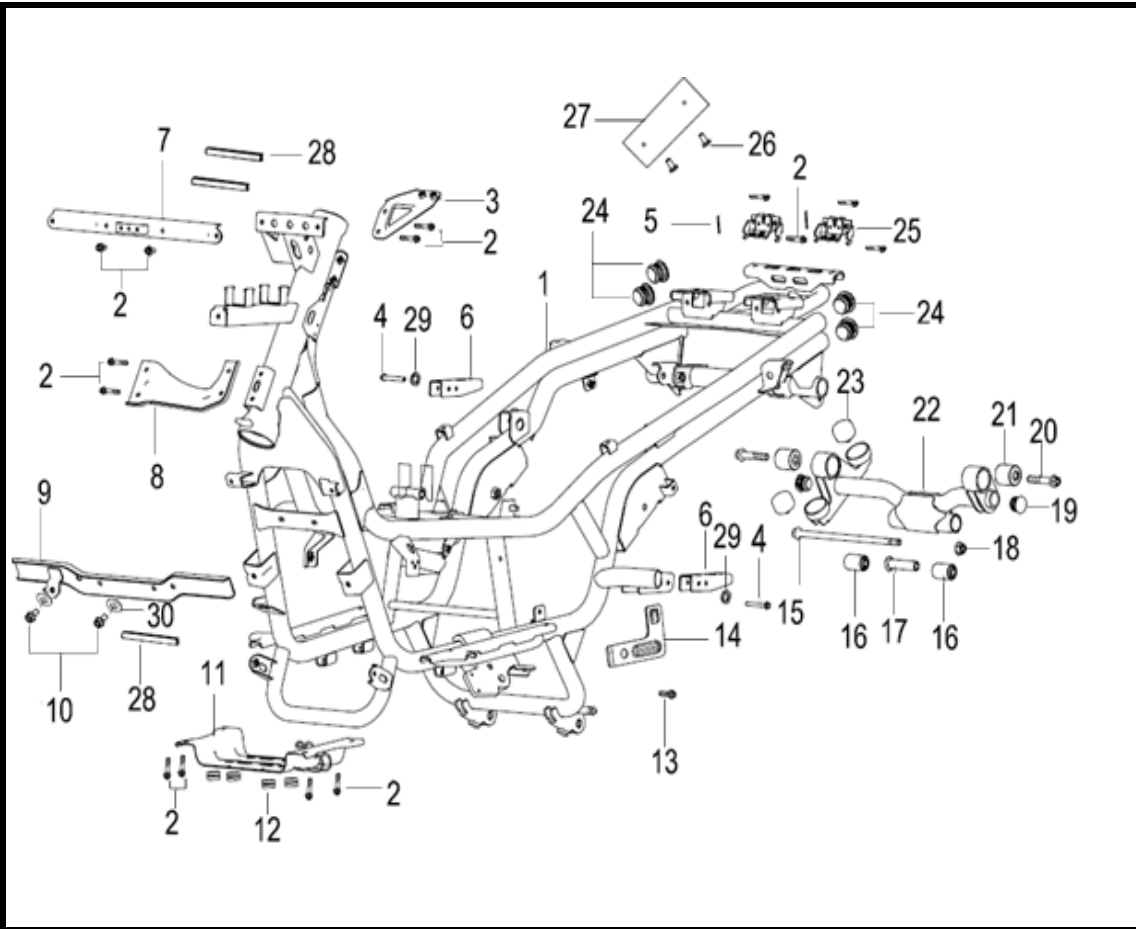
F12 车架 FRAME BODY



NO.	CODE	EN DESCRIPTION
1	57100N120000	FRAME ASSY.
2	B01090601265	BOLT M6x12
3	59450N120000	MOUNTING BOARD
4	B01090604263	BOLT M6x42
5	B090002018A5	PIN 2x18
6	58270N120000	MOUNTING BOARD,REAR FOOTSET
7	59410N120000	MOUNTING BOARD,FRONT COVER
8	59460N120000	MOUNTING BOARD
9	59470N120000	SUPPORT PLATE
10	B01070801665	BOLT M8x16
11	59480N120000	COVER FUEL TANK
12	270085050000	BUSH RUBBER
13	B01090601265	BOLT M6x12
14	96911T740000	BRACKET
15	58305W200000	BOLT
16	58350T430000	SILENT BLOCK,ENGINE HANGER
17	58380N140000	SLEEVE GASKET
18	B04171012555	NUT M10x1.25
19	58308N120000	COVER,DUSTPROOF
20	B01591005565	BOLT M10x1.25x55
21	58350N140000	SILENT BLOCK,ENGINE HANGER

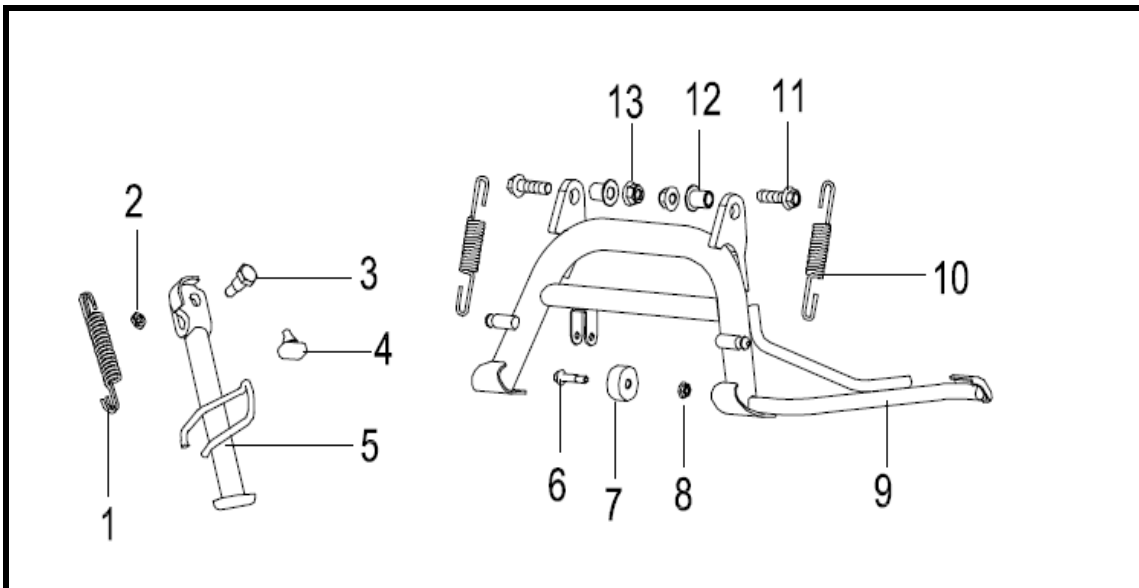
SILVERBLADE 250

F12 车架 FRAME BODY



NO.	CODE	EN DESCRIPTION
22	58320N120000	HANGER ASSY,ENGINE
23	58302T430000	RUBBER MAT
24	57015N100000	PLUG FRAME
25	58800T420000	SEAT LOCK ASSY.
26	B10000300600	RIVET I BLIND 3x6
27	57001N120000	FRAME PLATE
27	57001N120001	FRAME PLATE
27	57001N120002	FRAME PLATE
28	65508T750000	BAG OF EDGE
29	B07000000604	SPRING WASHER 6
30	63014J040030	WASHER φ8×φ27×2

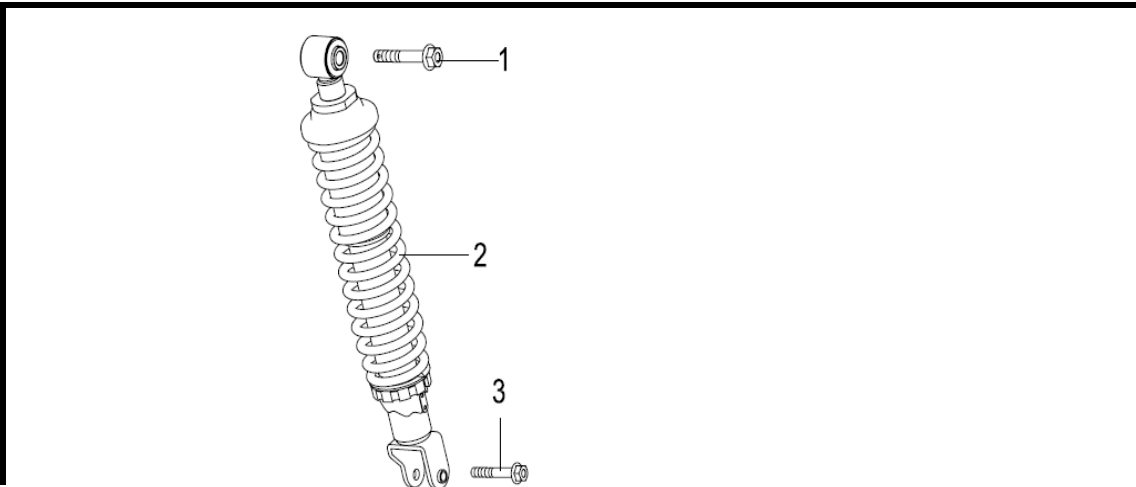
F13 中撑及单撑 MAIN STAND AND SIDE STAND ASSY



NO.	CODE	EN DESCRIPTION
1	57010D010000	SPRING,SIDE STAND
2	B04020800015	NUT M8
3	57005B410001	BOLT,SIDE STAND M8x35.5
4	57215N100000	WASHER
5	58700N120000	SIDE STAND ASSY
6	08011T410000	BOLT M6x30
7	58507T030000	RUBBER MAT,MAIN STAND
8	B04070600055	NUT M6
9	58520N120000	MAIN STAND ASSY
10	58502K010050	SPRING,MAIN STAND
11	B01591003565	BOLT M10x1.25x35
12	58511N100000	BUSH
13	B04171012555	NUT M10x1.25

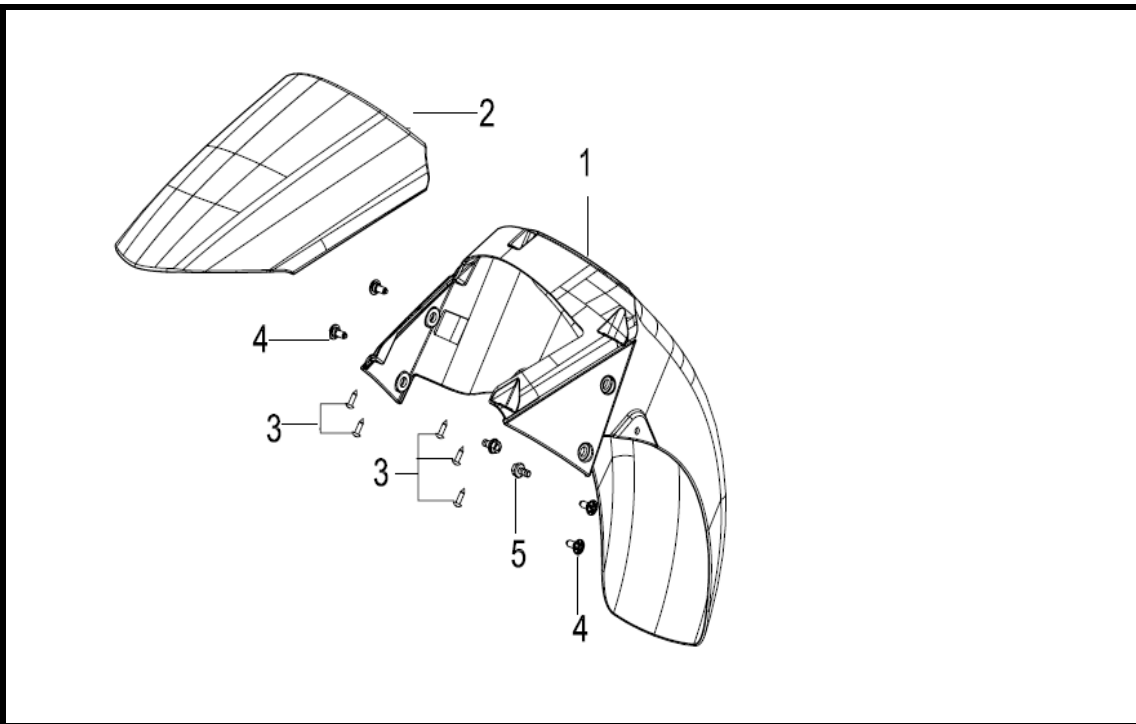
SILVERBLADE 250

F14 后减震器总成 REAR ABSORBER



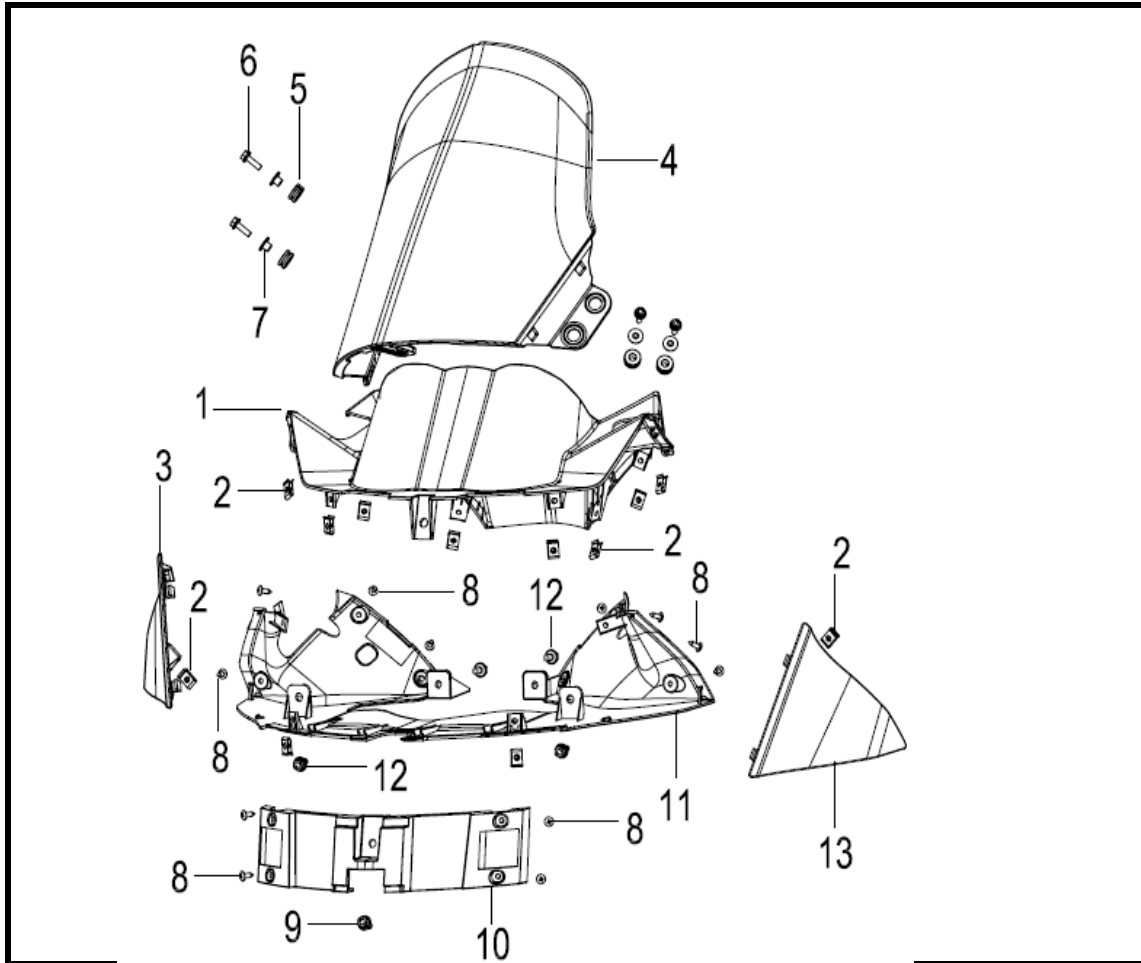
NO.	CODE	EN DESCRIPTION
1	B01591005065	BOLT M10x1.25x50
2	63800N120000	ABSORBER ASSY
3	08002T020000	BOLT M8x31

F15 前泥板 FRONT FENDER



NO.	CODE	EN DESCRIPTION
1	65106N120000	FRONT FENDER ASSY II
2	65101N12WF00	FRONT FENDER ASSY I WHITE WF
2	65101N12H800	FRONT FENDER ASSY I GRAY H8
2	65101N12BH00	FRONT FENDER ASSY I BLACK BH
3	B05074201305	TAPPING SCREW ST4.2x13
4	B0284060150A	BOLT M6x15.2
5	B01090601265	BOLT M6x12

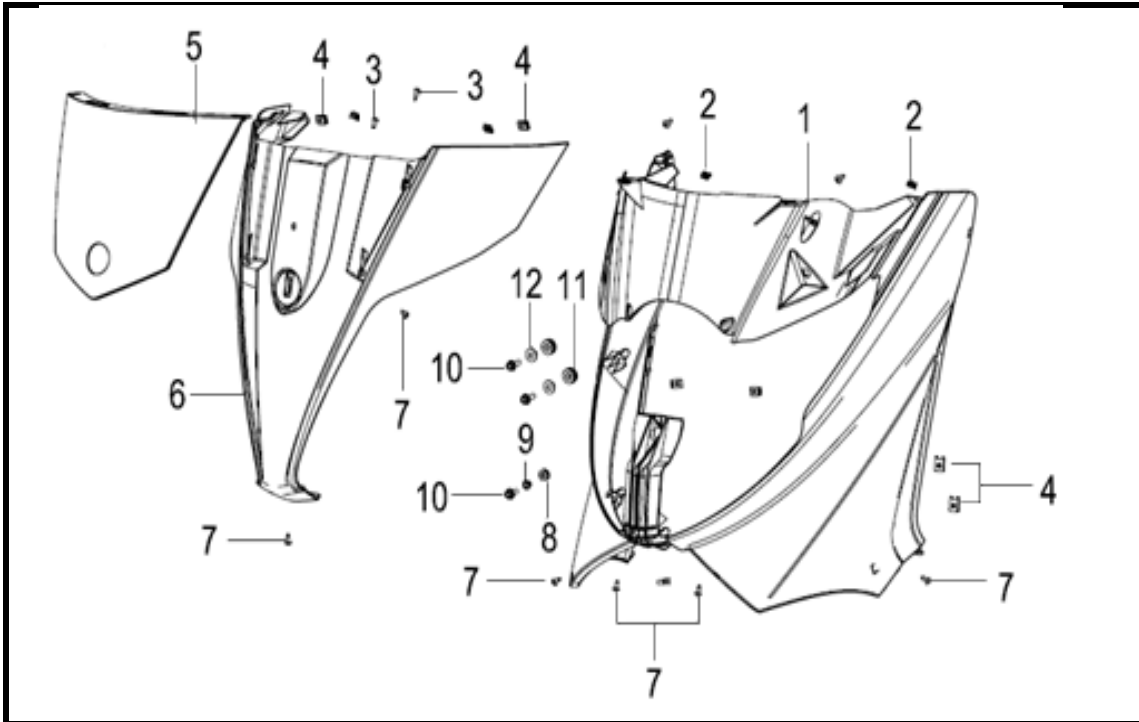
F16 龙头护罩 HANDLE COVER ASSY



NO.	CODE	EN DESCRIPTION
1	65201N120000	HANDLE COVER,FRONT
2	65801T020020	SPRING CLIP,4.2MM
3	65205N12WF00	PROTECTING BOARD,RH.WHITE WF
3	65205N12H800	PROTECTING BOARD,RH.GRAY H8
3	65205N12BH00	PROTECTING BOARD,RH.BLACK BH
4	65503N120010	COWLING
5	65115N140000	RUBBER GASKET
6	B01090602065	BOLT M6x20
7	270975050000	BUSH
8	B05074201305	TAPPING SCREW ST4.2x13
9	B01090601665	BOLT M6x16
10	65212N120000	COVER HANDLE COVER,FRONT
11	65202N120000	HANDLE COVER,REAR
12	B01090601265	BOLT M6x12
13	65204N12WF00	PROTECTING BOARD,LH.WHITE WF
13	65204N12H800	PROTECTING BOARD,LH.GRAY H8
13	65204N12BH00	PROTECTING BOARD,LH.BLACK BH

SILVERBLADE 250

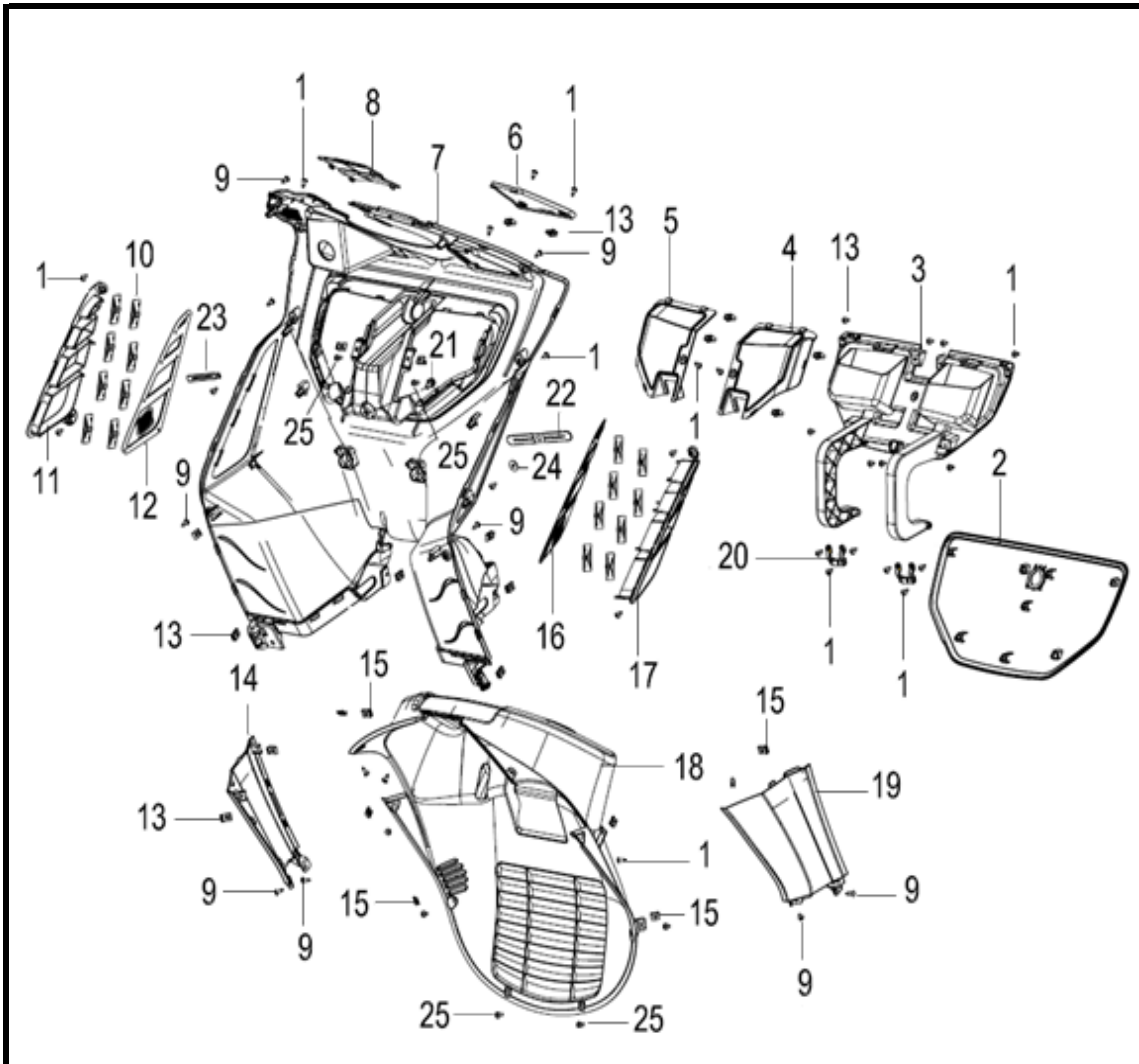
F17 前大罩 FRONT COVER ASSY.



NO.	CODE	EN DESCRIPTION
1	65302N12WF00	BOTTOM PLATE FRONT COVER WHITE WF
1	65302N12H800	BOTTOM PLATE FRONT COVER GRAY H8
1	65302N12BH00	BOTTOM PLATE FRONT COVER BLACK BH
2	65801S010000	SPRING CLIP
3	B05074201605	TAPPING SCREW ST4.2x16
4	65801T020020	SPRING CLIP,4.2MM
5	65303N12B500	DICORATIVE BOARD,FRONT COVER BLACK B5
6	65301N12WF00	FRONT.COVER WHITE WF
6	65301N12H800	FRONT.COVER GRAY H8
6	65301N12BH00	FRONT.COVER BLACK BH
7	B05074201305	TAPPING SCREW ST4.2x13
8	57039S010000	RUBBER GASKET
9	58307B450000	BUSH
10	B01090602565	BOLT M6x25
11	65115N140000	RUBBER GASKET
12	270975050000	BUSH

SILVERBLADE 250

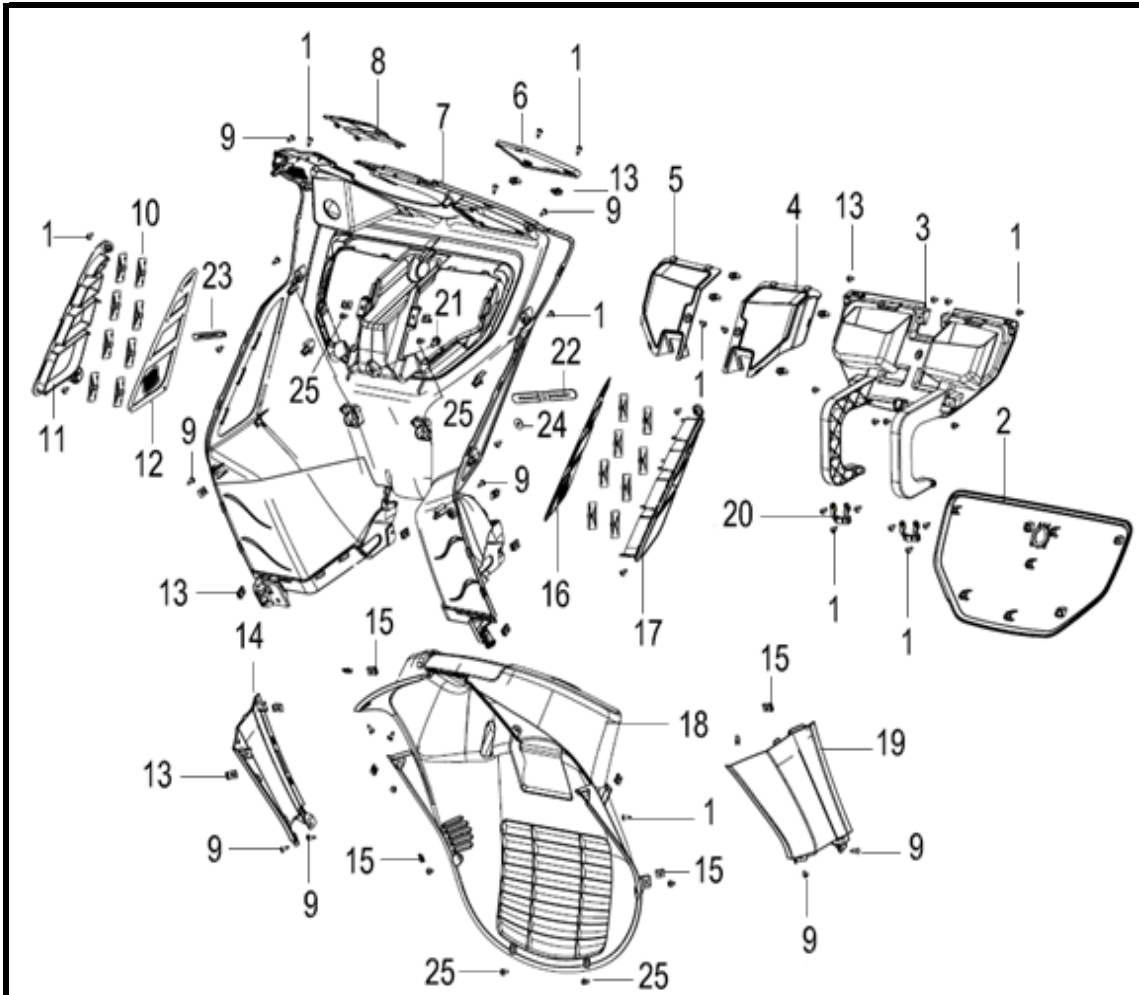
F18 脚防护板 LEG SHIELD ASSY.



NO.	CODE	EN DESCRIPTION
1	B05074201305	TAPPING SCREW ST4.2x13
2	65404N120000	REAR END PANEL FRONT STORAGE BOX
3	65321N120000	FRONT LUGGAGE BOX BODY
4	65326N120000	COVER PEEK HOLE L
5	65327N120000	COVER PEEK HOLE R
6	65434N120000	CAP,RADIATOR FILER
7	65402N120000	LEG SHIELD
8	65319N120000	COVER BOARD
9	B05074201605	TAPPING SCREW ST4.2x16
10	65311B910020	SPEED NUT
11	65368N12HU00	SIDE AERATION GRID RH.SILVER GRAY HU
12	65306N120000	PROTECTOR II
13	65801T020020	SPRING CLIP,4.2MM
14	65317N12BA00	FR.COVER,RH BLACK BA without sticker
14	65317N12002Z	FR.COVER,RH BLACK BA with sticker
15	65801S010000	SPRING CLIP
16	65305N120000	PROTECTOR I
17	65367N12HU00	SIDE AERATION GRID LH.SILVER GRAY HU

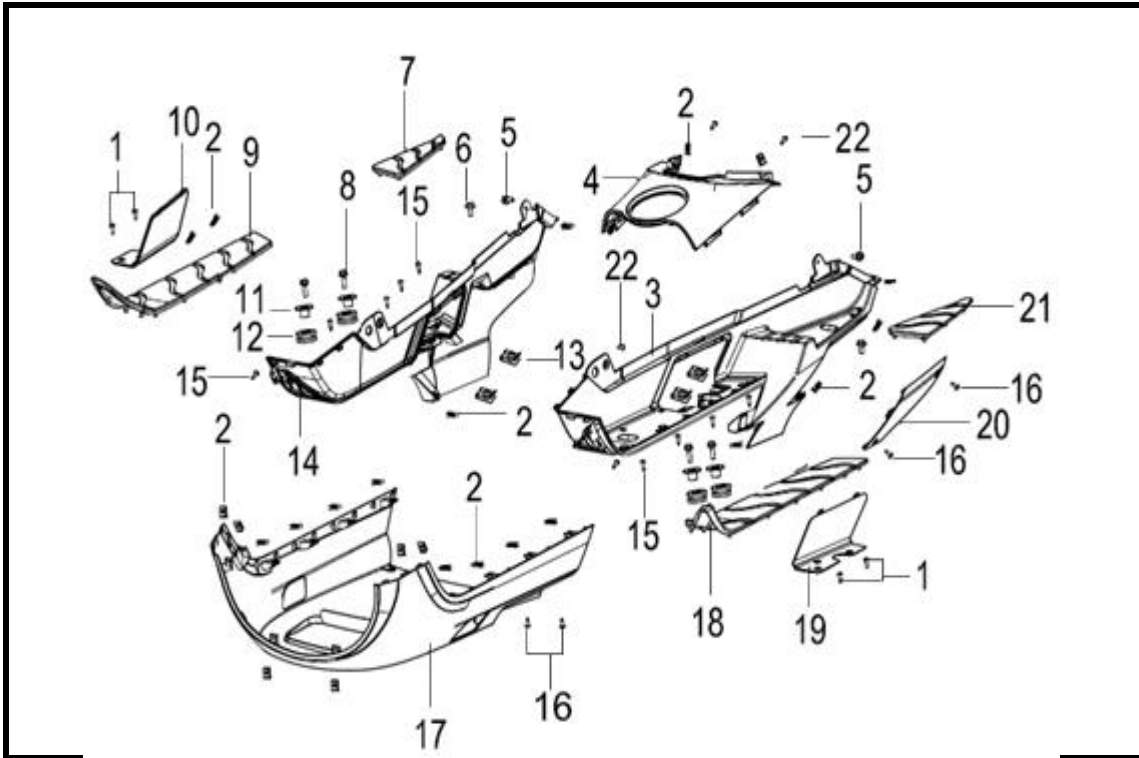
SILVERBLADE 250

F18 脚防护板 LEG SHIELD ASSY.



NO.	CODE	EN DESCRIPTION
18	65304N120000	INNER FENDER
19	65316N12BA00	FR.COVER,LH BLACK BA without sticker
19	65316N12002Z	FR.COVER,LH BLACK BA with sticker
20	65331N120000	FRONT LUGGAGE BOX HINGE
21	B01090601265	BOLT M6x12
22	58430J000001	CLIP ASSY
23	58430J000000	CLIP ASSY
24	B07020000505	WASHER
25	B05074201015	TAPPING SCREW ST4.2x10

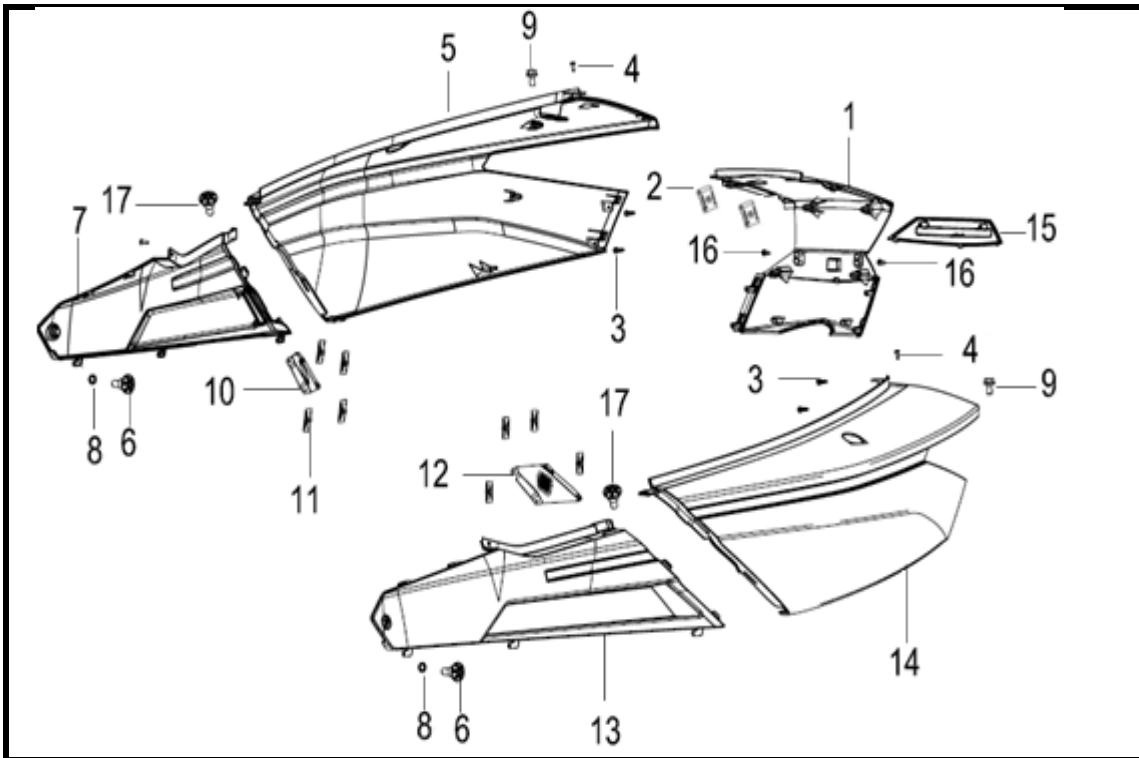
F19 脚踏板 FLOOR PANEL ASSY.



NO.	CODE	EN DESCRIPTION
1	B05074201005	TAPPING SCREW ST4.2x9.5
2	65801T020020	SPRING CLIP,4.2MM
3	65401N120000	FLOOR PANEL LEFT
4	65451N120000	GUARD BOARD FUEL TANK COVER
5	B01090601265	BOLT M6x12
6	08011H010000	BOLT
7	65423N120000	FOOTREST COVER II,RH
8	B01090602065	BOLT M6x20
9	65414N120000	FOOTREST COVER I,RH
10	65417N120000	CAP SPARK PLUG
11	270975050000	BUSH
12	65115N140000	RUBBER GASKET
13	65801S010000	SPRING CLIP
14	65405N120000	FLOOR PANEL RIGHT
15	B05074201605	TAPPING SCREW ST4.2x16
16	B05074201305	TAPPING SCREW ST4.2x13
17	65406N12WF00	UNDER COVER WHITE WF
17	65406N12H800	UNDER COVER GRAY H8
17	65406N12BH00	UNDER COVER BLACK BH
18	65413N120000	FOOTREST COVER I,LH
19	65424N120000	PERSPECTIVE COVER
20	65411N120000	FOOTREST COVER BOARD
21	65415N120000	FOOTREST COVER II,LH
22	B05074201015	TAPPING SCREW ST4.2x10

SILVERBLADE 250

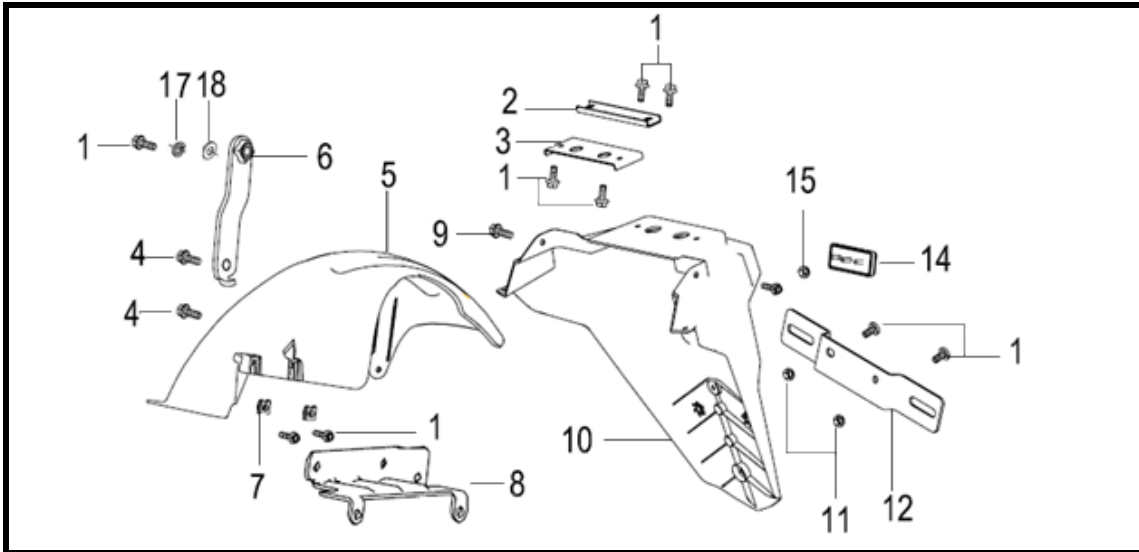
F20 护板 BODY COVER ASSY



NO.	CODE	EN DESCRIPTION
1	65605N12WF00	CONNECTION BOARD,SIDE COVER LH.RH.WHITE WF
1	65605N12H800	CONNECTION BOARD,SIDE COVER LH.RH.GRAY H8
1	65605N12BH00	CONNECTION BOARD,SIDE COVER LH.RH.BLACK BH
2	65801S010000	SPRING CLIP
3	B05074201605	TAPPING SCREW ST4.2x16
4	B05074201005	TAPPING SCREW ST4.2x9.5
5	65602N12WF00	SIDE COVER,RH WHITE WF
5	65602N12H800	SIDE COVER,RH GRAY H8
5	65602N12BH00	SIDE COVER,RH BLACK BH
6	B0284060180A	SCREW M6x18
7	65604N12HU00	FRONT SIDE COVER,RH.SILVER GRAY HU
8	47936S010000	GREY NYLON
9	B01090601265	BOLT M6x12
10	65308N120000	PROTECTOR IV
11	65311B910020	SPEED NUT
12	65307N120000	PROTECTOR III
13	65603N12HU00	FRONT SIDE COVER,LH.SILVER GRAY HU
14	65601N12WF00	SIDE COVER,LH WHITE WF
14	65601N12H800	SIDE COVER,LH GRAY H8
14	65601N12BH00	SIDE COVER,LH BLACK BH
15	65608N12HU00	DECORATIVE COVER,SIDE COVER SILVER GRAY HU
16	B05074201305	TAPPING SCREW ST4.2x13
17	B0284060150A	SCREW M6x15.2

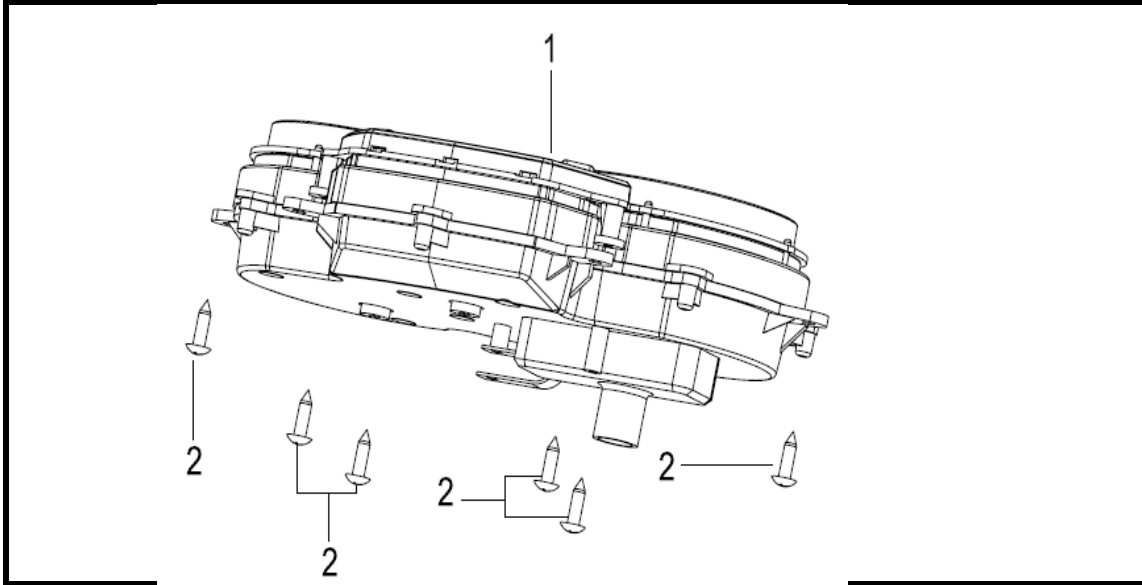
SILVERBLADE 250

F21 后挡泥板 REAR FENDER ASSY



NO.	CODE	EN DESCRIPTION
1	B01090601665	BOLT M6x16
2	58850N120000	MOUNTING PLATE REAR FENDER ASSY I
3	65723N120000	REINFORCEMENT PLATE
4	B01090601265	BOLT M6x12
5	65761N120000	REAR FENDER
6	65770N120000	BRACKET REAR FENDER
7	65625J560000	NUT M6
8	65720N120000	MOUNTING PLATE REAR FENDER ASSY
9	08011H010000	CONVEX PLATFORM BOLTS
10	65701N120000	REAR FENDER
11	B04170600055	NUT M6
12	08252T090000	BRACKET, LICENCE PLATE
14	86500T030001	REFLECTOR ASSY.
15	B04170500055	NUT M5
17	B07000000605	SPRING WASHER 6
18	B07020000605	WASHER 6

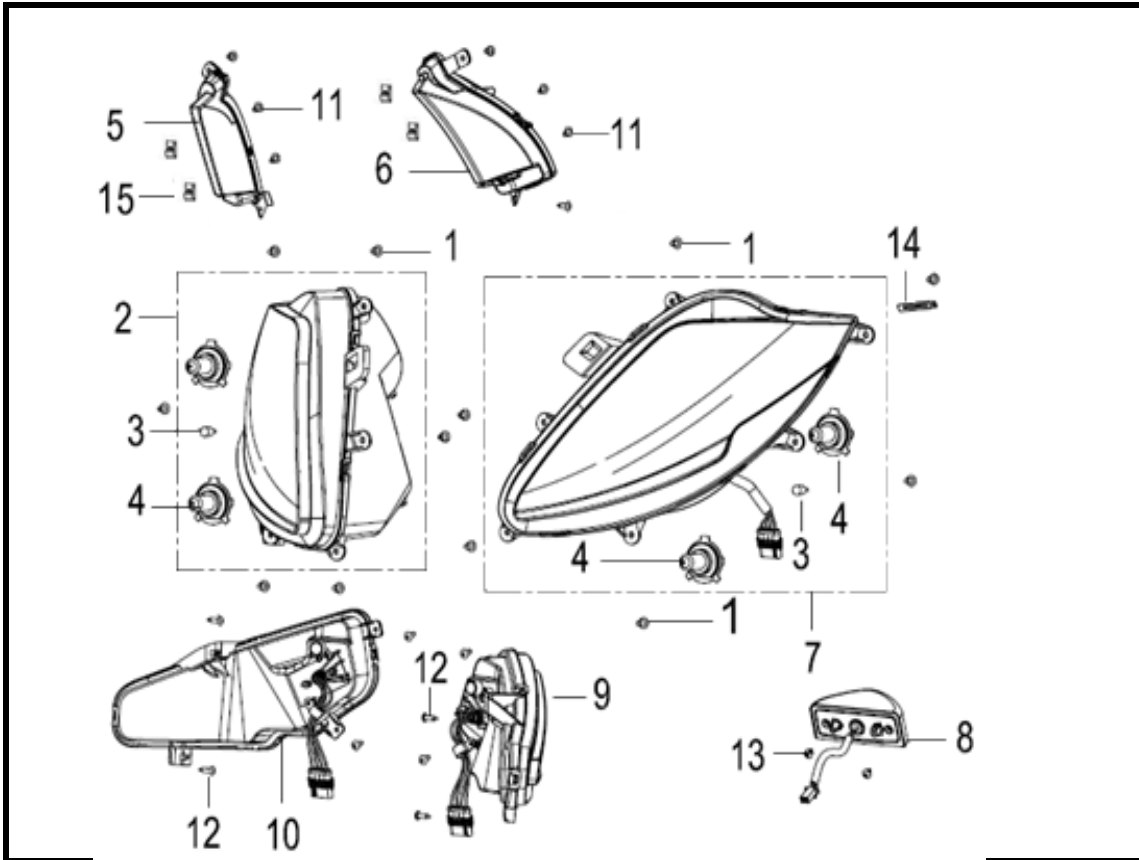
F22 仪表 SPEEDOMETER ASSY



NO.	CODE	EN DESCRIPTION
1	70000N120000	SPEEDOMETER ASSY
2	B05074201605	TAPPING SCREW ST4.2x16

SILVERBLADE 250

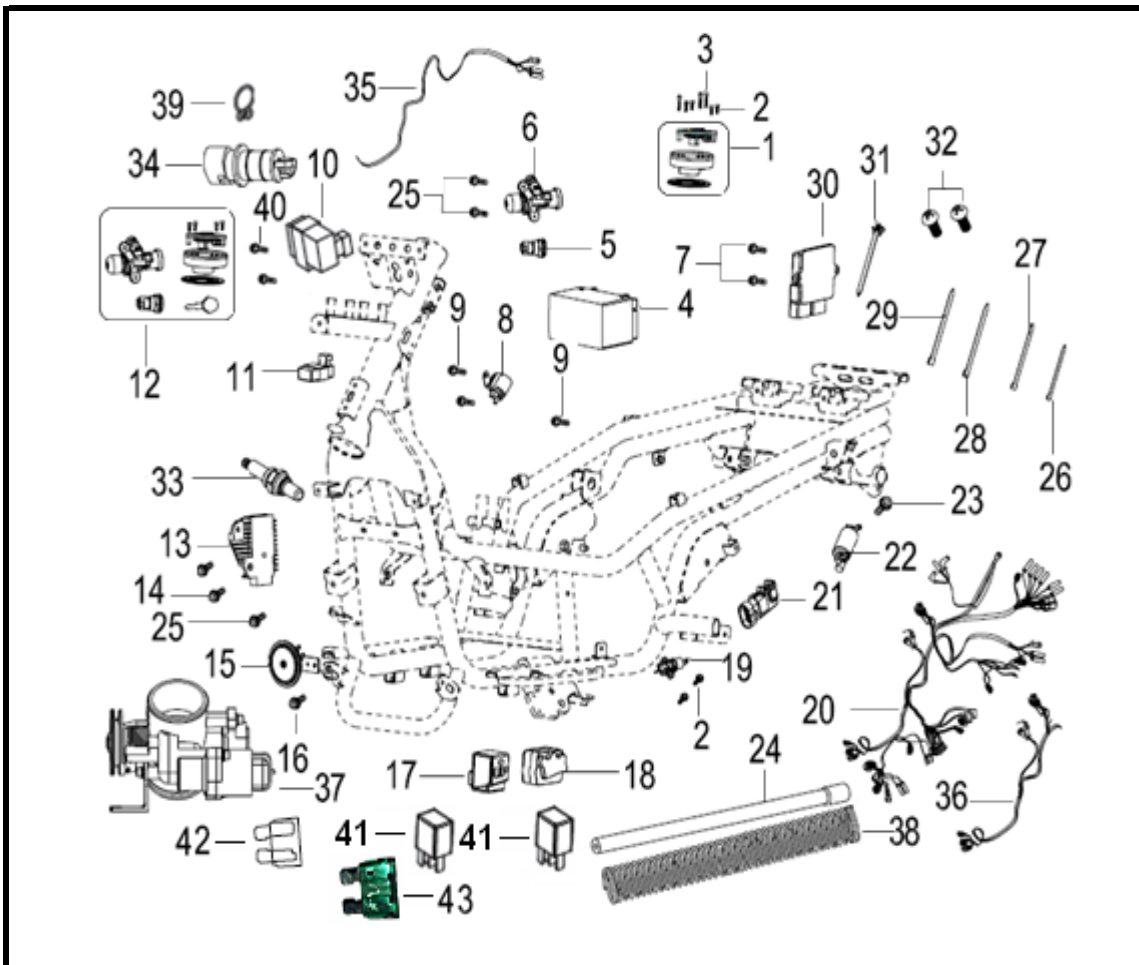
F23 灯具总成 LIGHT ASSY.



NO.	CODE	EN DESCRIPTION
1	B05074801605	TAPPING SCREW ST4.8x16
2	80300N120000	HEAD LIGHT ASSY.RH
3	B24013120000	INDICATOR LIGHT12V/5W
4	B24010320010	INDICATOR LIGHT12V35/35W
5	81300N120000	RH WINKER ASSY,FRONT
6	81100N120000	LH WINKER ASSY,FRONT
7	80200N120000	HEAD LIGHT ASSY.LH
8	82900N120000	LIGHT ASSY,LICENSE PLATE
9	82600N120000	TURN SIGNAL,REAR RIGHT
10	82500N120000	TURN SIGNAL,REAR LEFT
11	B05074201305	TAPPING SCREW ST4.2x13
12	B05074201605	TAPPING SCREW ST4.2x16
13	B05074201005	TAPPING SCREW ST4.2x9.5
14	58430J000000	CLIP ASSY 81MM
15	65801T020020	SPRING NUT

SILVERBLADE 250

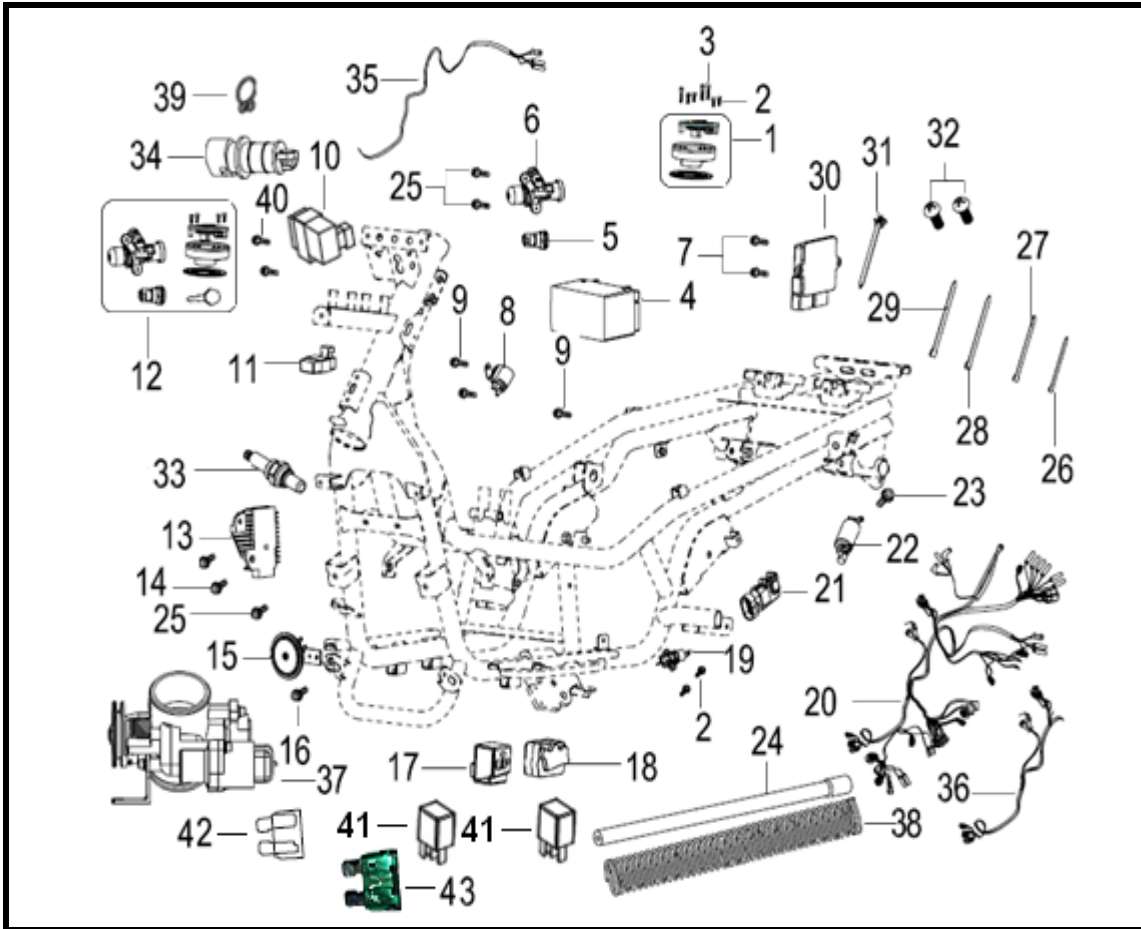
F24 电器 ELECTRICAL EQUIPMENT ASSY.



NO.	CODE	EN DESCRIPTION
1	88400T420000	LOCK ASSY,FUEL TANK
2	B02050501664	SCREW M5x16
3	B02050503064	SCREW M5x30
4	96100N140000	BATTERY (YTX9-BS 8AH)
5	88200T420000	FRONT LUGGAGE BOX LOCK
6	88100N120000	LOCK,IGNITION
7	B01070601665	BOLT M6x16
8	94100B400000	RELAY,STARTER
9	B01090601265	BOLT M6x12
10	94400K310001	CONTROLLER
11	96400N120000	FLASHER RELAY
12	88000N120000	LOCK ASSY.COMP.
13	341065540010	REC.REGULATOR
14	B01090603565	BOLT M6x35
15	95100K670001	HORN
16	B01090801665	BOLT M8x16
17	98901S010000	BUSH RUBBER SENSOR
18	94300N070000	RELAYOR,ANTI-OVERTURN
19	91170N070000	SINGLE HOLD FLAMEOUT SWITCH
20	92050N120000	WRIE HARNESS ASSY

SILVERBLADE 250

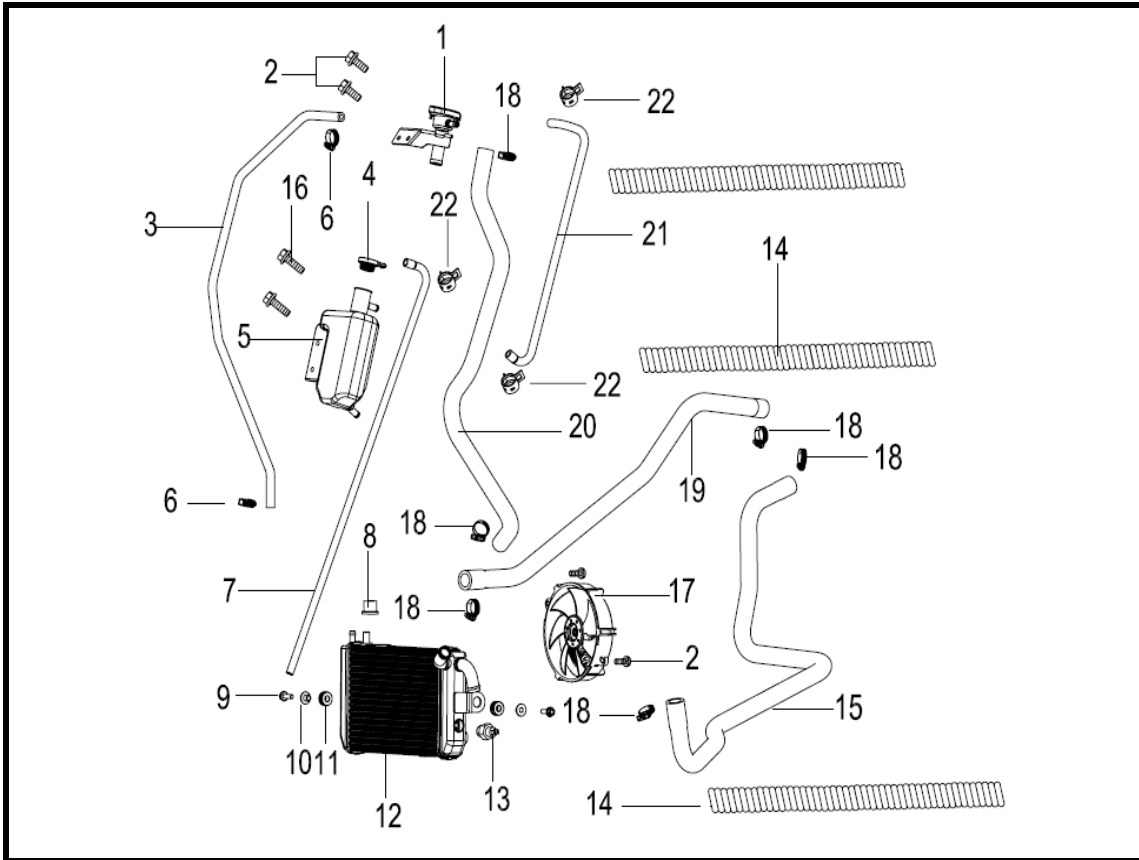
F24 电器 ELECTRICAL EQUIPMENT ASSY.



NO.	CODE	EN DESCRIPTION
21	96910N120000	SENSOR
22	96210N070000	IGNITION COIL ASSY
23	B01090604065	BOLT M6x40
24	110075130000	MAP TUBE
25	B01090601665	BOLT M6x16
26	96001J000000	CLAMP 150MM
27	96002J000000	CLAMP 200MM
28	96003J000000	CLAMP 250MM
29	96004J000000	CLAMP 300MM
30	96C00N120000	ECU
31	96001T750000	CLAMP 150MM
32	B02000501225	SCREW M5x12
33	310023160000	OXYGEN SENSOR
34	310015040000	THE INLET TEMPERATURE SENSOR
35	49011S010000	AIR TEMPERATURE SENSOR WIRING
36	92070N120000	EFI HARNESS,WIRING
37	289005110010	THROTTLE BODY ASSY
38	08354B920000	SPRING
39	B17010150003	CLIP φ15
40	B01090501265	BOLT M5x12
41	92039S010000	RELAY,HEADLIGHT
42	96810N120000	FUSE 15A
43	96820N120000	FUSE 30A

SILVERBLADE 250

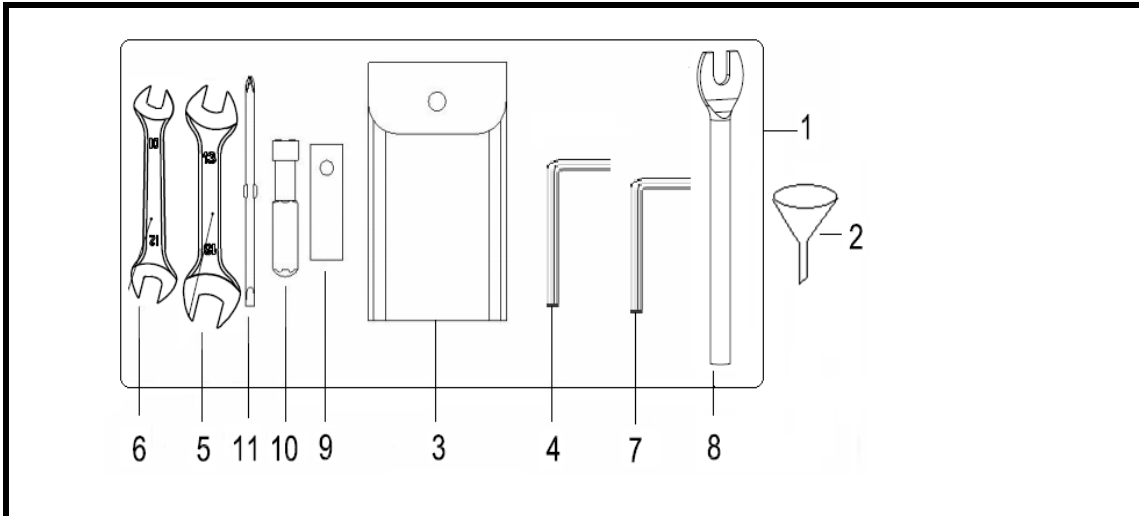
F25 冷却系统



NO.	CODE	EN DESCRIPTION
1	270045110000	WATER MOUTH GROUPING PIECES
2	B01090601265	BOLT M6x12
3	270063310000	VENTILATION DUCT
4	06112J690000	COVER ASSY
5	06111N120000	JUG BOX
6	B1701016000A	HOOP 16
7	06105N120000	PIPE
8	57045N140000	BUSH
9	B01090602065	BOLT M6x20
10	270975050000	BUSH
11	65115N140000	RUBBER GASKET
12	279195110000	WATER TANK
13	279113160010	SENSOR TEMPERATURE 93°
14	14022N100000	SPRING SLEEVE
15	279085110000	RADIATOR INLET PIPE
16	B01090601665	BOLT M6x16
17	279021170000	FAN ASSY
18	270125060020	CLIP Φ 16-25
19	279095110000	RADIATOR OUT PIPE
20	270053310000	PIPE
21	06107N120000	TUBE,EFFUSING
22	06103N140000	CLIP Φ 13

SILVERBLADE 250

F26 随车工具 TOOL KIT ASSY.



NO.	CODE	EN DESCRIPTION
1	02100N100001	TOOL KIT ASSY.
2	02114B910000	FUNNEL
3	02110J000000	TOOL BAG
4	B20020600003	HEXAGON RING WRENCH 6
5	B20011301603	WRENCH 13-16mm
6	B20011001203	WRENCH 10-12mm
7	B20020500003	HEXAGON RING WRENCH 5
8	02101J000000	SPARK PLUG HANDLE
9	02102J000000	SOCKET,SPARK PLUG
10	02106J000000	HANDLE,SCREW DRIVER
11	02103J000000	DRIVER,SCREW

F27 贴花总成STICKER ASSY



NO.	CODE	EN DESCRIPTION
1	05541N120000	STICKER UNDER COVER
2	05511N120000	STICKER SIDE COVER
3	05521N120000	KEEWAY LABEL
4	70062M040001	LABEL,Empire/keeway