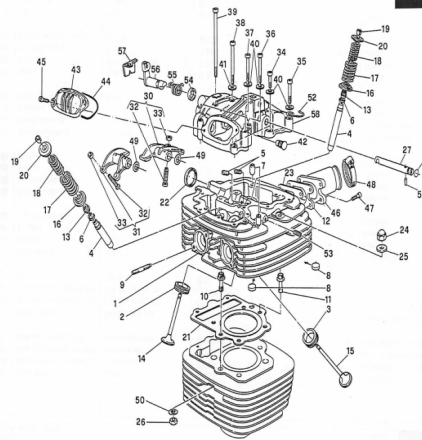


E2

2

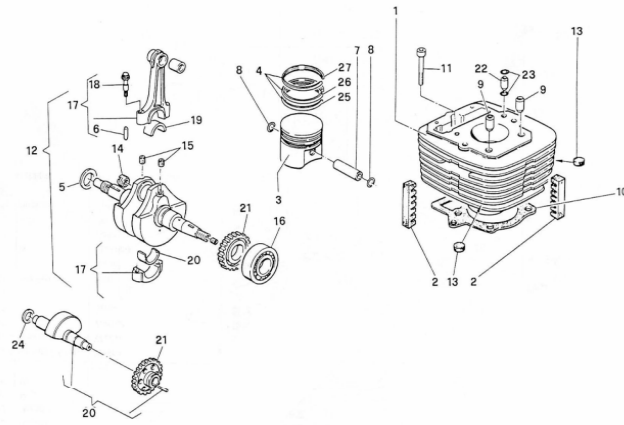


CYLINDER HEAD

| No | Description | Q'ty | No | Description | Q'ty |
|----|----------------|------|----|-----------------|------|
| 1 | 192YMR-0110101 | 1 | 30 | 192YMR-0110112 | 1 |
| 2 | 192YMR-0110102 | 2 | 31 | 192YMR-0110113 | 1 |
| 3 | 192YMR-0110103 | 2 | 32 | 192YMR-0110114 | 4 |
| 4 | 192YMR-0110104 | 4 | 33 | GB/T6170 | 4 |
| 5 | 192YMR-0110105 | 2 | 34 | GB/T70.1 | 4 |
| 6 | 192YMR-0110106 | 4 | 35 | GB/T70.1 | 1 |
| 7 | 192YMR-0110107 | 2 | 36 | GB/T70.1 | 4 |
| 8 | 192YMR-0110108 | 17 | 37 | GB/T70.1 | 1 |
| 9 | 192YMR-0110109 | 4 | 38 | GB/T70.1 | 2 |
| 10 | 192YMR-0110110 | 1 | 39 | GB/T70.1 | 2 |
| 11 | 192YMR-0110111 | 1 | 40 | GB/T95 | 12 |
| 12 | 192YMR-0130003 | 1 | 41 | 192YMR-0120004 | 2 |
| 13 | 192YMR-0110001 | 4 | 42 | 192YMR-0120005 | 1 |
| 14 | 192YMR-0110002 | 2 | 43 | 192YMR-0120006 | 2 |
| 15 | 192YMR-0110003 | 2 | 44 | 192YMR-0120007 | 2 |
| 16 | 192YMR-0110004 | 4 | 45 | GB/T70.1 | 4 |
| 17 | 192YMR-0110005 | 4 | 46 | 192YMR-0130001 | 1 |
| 18 | 192YMR-0110006 | 4 | 47 | GB/T70.1 | 4 |
| 19 | 192YMR-0110007 | 8 | 48 | 192YMR-0130002 | 1 |
| 20 | 192YMR-0110008 | 4 | 49 | 192YMR-0110115 | 1 |
| 21 | 192YMR-0100001 | 1 | 50 | 192YMR-0100005 | 2 |
| 22 | 192YMR-0100002 | 1 | 51 | GB/T78 | 2 |
| 23 | 192YMR-0130004 | 1 | 52 | 192YMR-0120008 | 1 |
| 24 | 192YMR-0100003 | 4 | 53 | 192YMR-0100006 | 1 |
| 25 | 192YMR-0100004 | 4 | 54 | 192YMR-0120009 | 1 |
| 26 | GB/T41 | 2 | 55 | 192YMR-0120010 | 1 |
| 27 | 192YMR-0120002 | 2 | 56 | 192YMR-0120100 | 1 |
| 29 | 192YMR-0120003 | 2 | 57 | 192YMR-0120011 | 1 |
| | | | 58 | 192YMR-00120001 | 1 |

E3

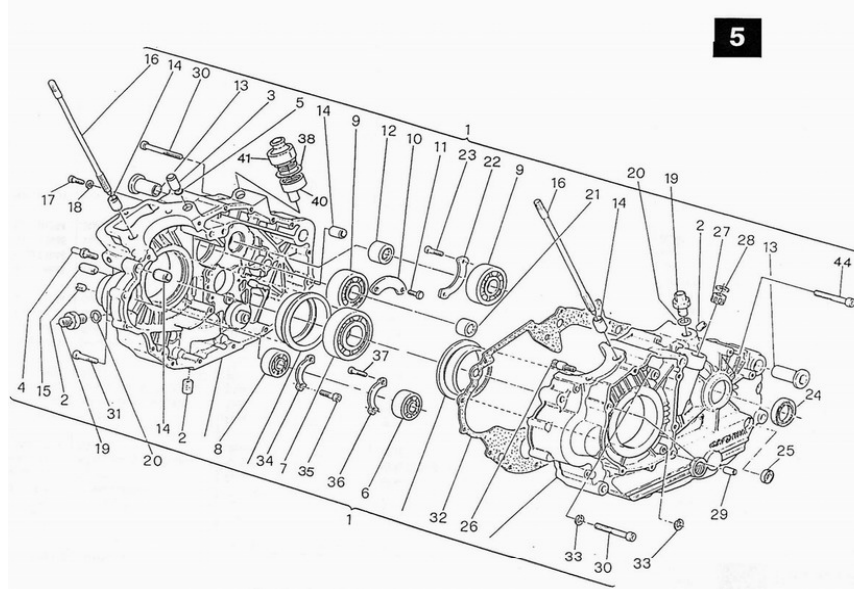
3



CYLINDER PISTON CRANKSHAFT

| No. | Part Code | Description | Q.ty | No. | Part Code | Description | Q'ty |
|-----|----------------|----------------------|------|-----|----------------|---------------------|------|
| 1 | 192YMR-0200007 | Cylinder assy | 1 | 15 | 192YMR-0630002 | Screw | 2 |
| 2 | 192YMR-0200001 | Pad | 1 | 16 | GB/T276 | Bearing | 1 |
| 2 | 192YMR-0200002 | Pad | 1 | 17 | 192YMR-0630100 | Connecting rod assy | 1 |
| 3 | 192YMR-0610000 | Piston | 1 | 18 | 192YMR-0630103 | Screw | 2 |
| 4 | | Piston ring set | 1 | 19 | 192YMR-0630104 | half bearing | 2 |
| 5 | 192YMR-0630003 | Washer | 1 | 20 | 192YMR-0620000 | Balance shaft assy | 1 |
| 6 | | Positioning pin | 2 | 21 | 192YMR-0620002 | Gear | 1 |
| 7 | 192YMR-0610002 | Piston pin | 1 | 22 | 192YMR-0200005 | Positioning pin | 1 |
| 8 | 192YMR-0610003 | Piston pin lock ring | 2 | 23 | 192YMR-0200006 | Seal ring | 2 |
| 9 | 192YMR-0200003 | Positioning pin | 2 | 24 | 192YMR-0620003 | Washer | 1 |
| 10 | 192YMR-0200008 | Gasket | 1 | 25 | 192YMR-0610100 | Oil ring | 1 |
| 11 | GB/T70.1 | Screw | 1 | 26 | 192YMR-0610005 | Top ring II | 1 |
| 12 | | Crankshaft assy | 1 | 27 | 192YMR-0610004 | Top ring I | 1 |
| 13 | 192YMR-0200004 | Pad | 2 | | | | |
| 14 | 192YMR-0630001 | Plug | 1 | | | | |

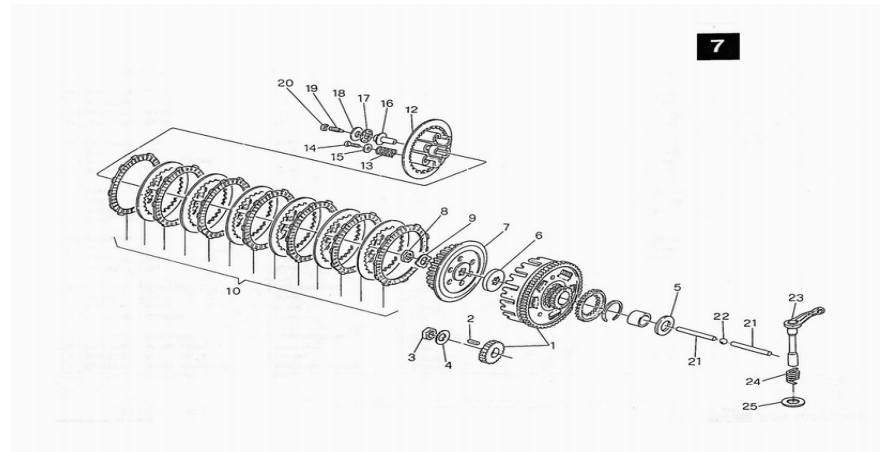
E5



CRANKCASE

| No. | Part Number | Description | Q'ty | No. | Part Number | Description | Q'ty |
|-----|----------------|------------------------------------|------|-----|----------------|-------------|------|
| 1 | 192YMR-0300000 | Crankcase ass. | 1 | 23 | GB70.3 | screw M5x10 | 2 |
| 2 | GB/T77 | screw M10x1.25x12 | 2 | 24 | 192YMR-0320008 | Seal ring | 1 |
| 3 | 192YMR-0310001 | Pin | 1 | 25 | 192YMR-0320009 | Seal ring | 1 |
| 4 | 192YMR-0310003 | screw | 1 | 26 | 192YMR-0320010 | Pin | 1 |
| 5 | 192YMR-0310002 | Seal ring | 2 | 27 | 192YMR-0320011 | Bushing | 1 |
| 6 | GB/T276 | Bearing | 1 | 28 | 192YMR-0320012 | Seal ring | 1 |
| 7 | 192YMR-0310004 | Bearing | 1 | 29 | 192YMR-0310010 | Bushing | 2 |
| 8 | 192YMR-0310005 | Bearing | 1 | 30 | | screw | 13 |
| 9 | 192YMR-0310006 | Bearing | 2 | 31 | GB/T70.1 | screw M6 | 2 |
| 10 | 192YMR-0310007 | Lock plate | 1 | 32 | 192YMR-0300001 | Gasket | 1 |
| 11 | GB/T5781 | screw M6 | 2 | 33 | GB97.1 | Washer | 1 |
| 12 | 192YMR-0310008 | Bearing | 1 | 34 | 192YMR-0310014 | Lock plate | 1 |
| 13 | 192YMR-0310009 | Bushing | 2 | 35 | GB/T70.1 | screw M5x12 | 2 |
| 14 | 192YMR-0200003 | Bushing $\varnothing 13 \times 18$ | 4 | 36 | 192YMR-0320014 | Lock plate | 1 |
| 15 | 192YMR-0310010 | Bushing | 2 | 37 | GB5781 | screw M6x12 | 2 |
| 16 | 192YMR-0310011 | double end bolt M10 | 4 | 38 | 310202 | Gasket | 1 |
| 17 | GB/T70.1 | screw M6x10 | 1 | 40 | 310201 | Connection | 1 |
| 18 | GB97.1 | Washer | 1 | 41 | 310203 | Valve | 1 |
| 19 | 192YMR-0310012 | Joint | 2 | 44 | GB/T70.1 | screw M6x55 | 1 |
| 20 | 192YMR-0310013 | Washer | 2 | | | | |
| 21 | 192YMR-0320013 | Spacer | 1 | | | | |
| 22 | 192YMR-0320007 | Lock plate | 1 | | | | |

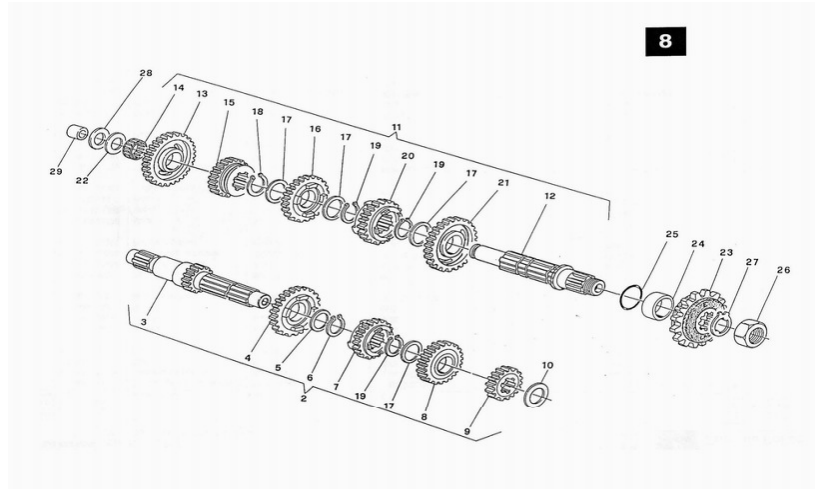
E7



CLUTCH

| No. | Part Number | Description | Q'ty | No. | Part Number | Description | Q'ty |
|-----|----------------|--------------------|------|-----|----------------|---------------------------|------|
| 1 | 192YMR-0910000 | Clutch outer | 1 | 16 | 192YMR-0930001 | Connecting pin | 1 |
| 2 | 192YMR-0630006 | Pin | 1 | 17 | GB/T4605 | Needle bearing | 1 |
| 3 | 192YMR-0630008 | Nut | 1 | 18 | | Washer | 1 |
| 4 | 192YMR-0630009 | Washer | 1 | 19 | 192YMR-0930002 | Screw | 1 |
| 5 | 192YMR-0900007 | Washer | 1 | 20 | GB/T6170 | Nut | 1 |
| 6 | | Washer | 1 | 21 | 192YMR-0900008 | lifter rod | 2 |
| 7 | | clutch center | 1 | 22 | GB308-89 | Ball | 1 |
| 8 | 192YMR-0900004 | Nut | 1 | 23 | 192YMR-0940000 | Clutch lifter lever assy. | 1 |
| 9 | 192YMR-0900002 | Washer | 1 | 24 | 192YMR-0900009 | Spring | 1 |
| 10 | | Clutch discs assy. | 1 | 25 | 192YMR-0900010 | Washer | 1 |
| 12 | 192YMR-0920004 | Pressure plate | 1 | 26 | 192YMR-0900005 | | |
| 13 | 192YMR-0920005 | Spring | 6 | 27 | 192YMR-0900006 | | |
| 14 | 192YMR-0920006 | Screw | 6 | 28 | 192YMR-0910101 | | |
| 15 | | Washer | 6 | | | | |

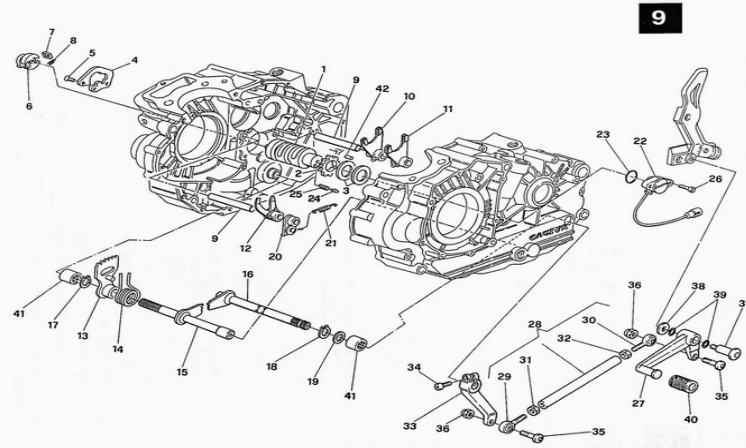
E8



TRANSMISSION

| No. | Part Number | Description | Q'ty | No. | Part Number | Description | Q'ty |
|-----|----------------|------------------------|------|-----|----------------|-------------------------------|------|
| 2 | 192YMR-1010100 | Main shaft Assy | 1 | 16 | 192YMR-1010205 | 3rd and 4ht speed driven gear | 1 |
| 3 | 192YMR-1010101 | Main shaft | 1 | 17 | 192YMR-1010108 | Washer | 4 |
| 4 | 192YMR-1010102 | 5th speed driving gear | 1 | 18 | 192YMR-1010207 | Lock ring | 1 |
| 5 | 192YMR-1010103 | Washer | 1 | 19 | 192YMR-1010104 | Lock ring | 3 |
| 6 | 192YMR-1010104 | Lock ring | 1 | 20 | 192YMR-1010208 | 4th speed driven gear | 1 |
| 7 | 192YMR-1010105 | 3rd speed driving gear | 1 | 21 | 192YMR-1010209 | 2nd speed driven gear | 1 |
| 8 | 192YMR-1010106 | 4th speed driving gear | 1 | 22 | 192YMR-1010210 | Washer | 1 |
| 9 | 192YMR-1010107 | 2nd speed driving gear | 1 | 23 | 192YMR-1010300 | Driven gear | 1 |
| 10 | 192YMR-1010109 | Washer | 1 | 24 | 192YMR-1010212 | Spacer | 1 |
| 11 | 192YMR-1010200 | Counter shaft assy | 1 | 25 | 192YMR-1010211 | Seal ring | 1 |
| 12 | 192YMR-1010201 | Counter shaft assy | 1 | 26 | 192YMR-1010215 | Nut | 1 |
| 13 | 192YMR-1010202 | 1st speed driven gear | 1 | 27 | 192YMR-1010214 | Washer | 1 |
| 14 | 192YMR-1010203 | Needle bearing | 1 | 28 | 192YMR-1010206 | Washer | 1 |
| 15 | 192YMR-1010204 | 5th speed driven gear | 1 | 29 | 192YMR-1010213 | Spacer | 1 |

E9

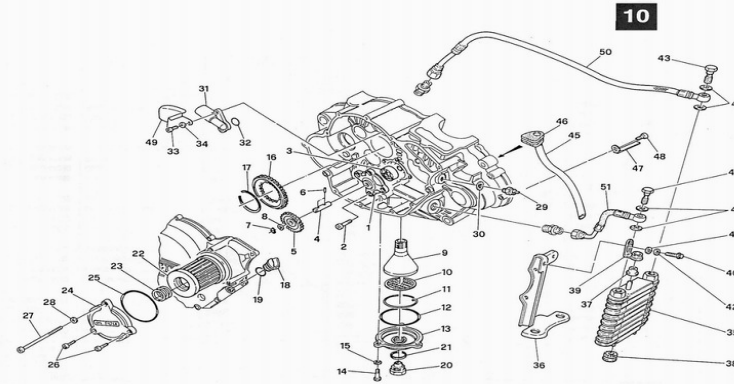


9

GEAR SHIFT

| No | Part Number | Description | Q'ty | No. | Part Number | Description | Q'ty |
|----|----------------|-------------------------------|------|-----|----------------|----------------------|------|
| 1 | 192YMR-1020018 | Camshaft | 1 | 21 | 192YMR-1020019 | Spring | 1 |
| 2 | 192YMR-1020002 | Cam | 1 | 22 | 192YMR-1020100 | Idle trasponder | 1 |
| 3 | 192YMR-1020003 | Washer | 1 | 23 | 192YMR-1020020 | Seal ring | 1 |
| 4 | 192YMR-1020004 | Plate | 1 | 24 | 192YMR-1020015 | Lock ring | 1 |
| 5 | 192YMR-1020005 | Screw | 3 | 25 | 192YMR-1020016 | Spring | 1 |
| 6 | 192YMR-1020006 | Selector | 1 | 26 | GB/T818 | Screw | 2 |
| 7 | 192YMR-1020007 | Positioning block | 2 | 27 | | Gearchange lever | 1 |
| 8 | 192YMR-1020008 | Spring | 2 | 28 | | gearchange rod assy | 1 |
| 9 | 192YMR-1020009 | Fork shaft | 2 | 29 | | L.H. ball joint | 1 |
| 10 | 192YMR-1020010 | 1st gear control fork | 1 | 30 | | R.H. ball joint | 1 |
| 11 | 192YMR-1020011 | 2nd and 3rd gear control fork | 1 | 31 | | Nut | 1 |
| 12 | 192YMR-1020012 | 4th and 5th gear control fork | 1 | 32 | | Nut | 1 |
| 13 | 192YMR-1020500 | Ratchet wheel | 1 | 33 | | Transmission lever | 1 |
| 14 | 192YMR-1020014 | Spring | 1 | 34 | | Screw | 1 |
| 15 | 192YMR-1020300 | Layshaft | 1 | 35 | | Screw | 2 |
| 16 | 192YMR-1020400 | Driving shaft | 1 | 36 | | Nut | 2 |
| 17 | GB/T894.1 | Lock ring | 1 | 37 | | Clevis pin with head | 1 |
| 18 | GB/T894.1 | Lock ring | 1 | 38 | | Washer | 1 |
| 19 | 192YMR-1020013 | Washer | 2 | 39 | | Seal ring | 2 |
| 20 | 192YMR-1020200 | Fixed locking lever | 1 | 40 | | Rubber bush | 1 |
| | | | | 41 | 192YMR-1020017 | Roller bush | 2 |
| | | | | 42 | GB/T309 | Roller | 1 |

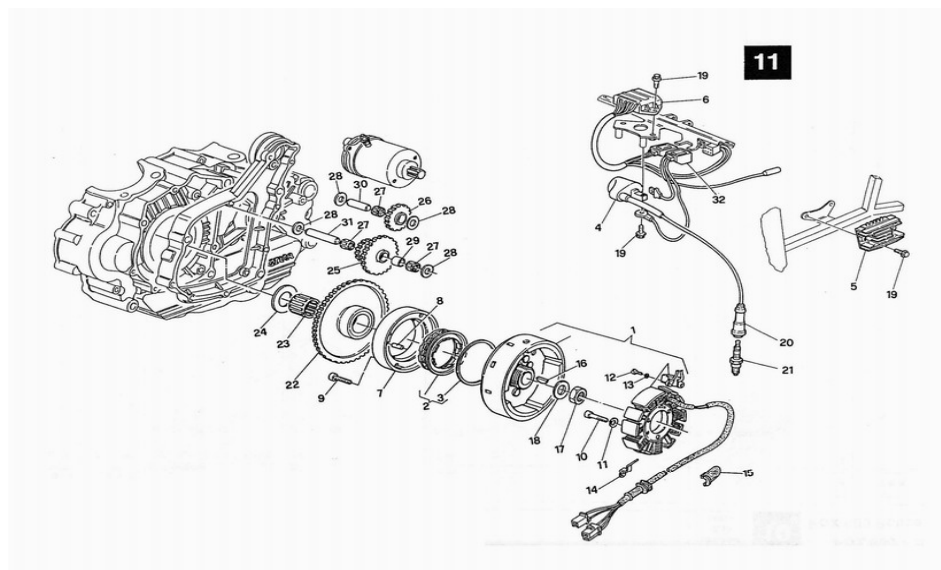
E10



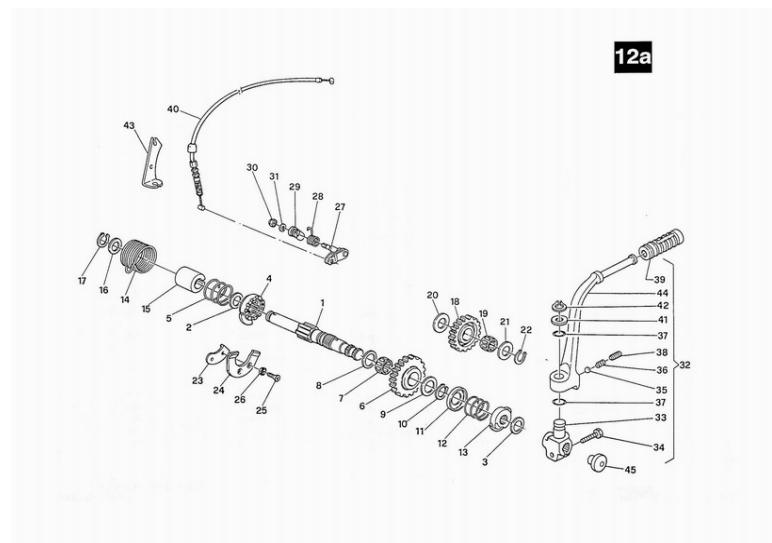
OIL PUMP

| No. | Part Number | Description | Q'ty | No. | Part Number | Description | Q'ty |
|-----|---------------|----------------|------|-----|---------------|------------------------|------|
| 1 | 192YMR-810001 | Oil pump body | 1 | 26 | GB/T16674 | Screw | 2 |
| 2 | GB/T70.1 | Screw | 4 | 27 | GB/T16674 | Screw | 1 |
| 3 | 192YMR-810002 | Rotor assy. | 1 | 28 | GB/T95 | Washer | 1 |
| | 192YMR-810003 | | | 29 | 192YMR-800200 | Oil tempreature sensor | 1 |
| 4 | 192YMR-810004 | oil pump shaft | 1 | 30 | 192YMR-800005 | Seal ring | 1 |
| 5 | 192YMR-810005 | Driving gear | 1 | 31 | 192YMR-800100 | Valve | 1 |
| 6 | 192YMR-810006 | Roller | 2 | 32 | 192YMR-800003 | Seal ring | 1 |
| 7 | 192YMR-810007 | Screw cap | 1 | 33 | GB/T70.1—2000 | Screw | 2 |
| 8 | 192YMR-810008 | Washer | 1 | 34 | GB860 | Spring washer | 2 |
| 9 | 192YMR-820001 | Union | 1 | 35 | 192YMR-840100 | Radiator | 1 |
| 10 | 192YMR-820002 | Filter | 1 | 36 | | Radiator support | 1 |
| 11 | 192YMR-820003 | Ring | 1 | 37 | 192YMR-840001 | Rubber pad | 1 |
| 12 | 192YMR-820004 | Seal ring | 1 | 38 | 192YMR-840002 | Rubber-Metal washer | 2 |
| 13 | 192YMR-820005 | Cover | 1 | 39 | 192YMR-840003 | Plate | 1 |
| 14 | GB5783 | Screw | 3 | 40 | 192YMR-840004 | Screw | 1 |
| 15 | GB/T95 | Washer | 7 | 41 | 192YMR-840005 | Washer | 1 |
| 16 | | Driven gear | 1 | 42 | GB/T97.1 | Washer | 1 |
| 17 | | Lock ring | 1 | 43 | 192YMR-840006 | Screw | 2 |
| 18 | 192YMR-800001 | Plug | 1 | 44 | 192YMR-840007 | Washer | 4 |
| 19 | 192YMR-800002 | Seal ring | 1 | 45 | 192YMR-840008 | Pipe | 1 |
| 20 | 192YMR-820007 | Plug | 1 | 46 | 192YMR-840009 | Union | 1 |
| 21 | 192YMR-820006 | Gasket | 1 | 47 | 192YMR-840010 | Plate | 1 |
| 22 | 192YMR-830100 | Filter | 1 | 48 | GB/T70.1 | Screw | 1 |
| 23 | 192YMR-800001 | Spring | 1 | 49 | 192YMR-800004 | Guarder | 1 |
| 24 | 192YMR-800003 | Cover | 1 | 50 | 192YMR-840011 | Pipe | 1 |
| 25 | 192YMR-800002 | O ring | 1 | 51 | 192YMR-840012 | Pipe | 1 |

E11

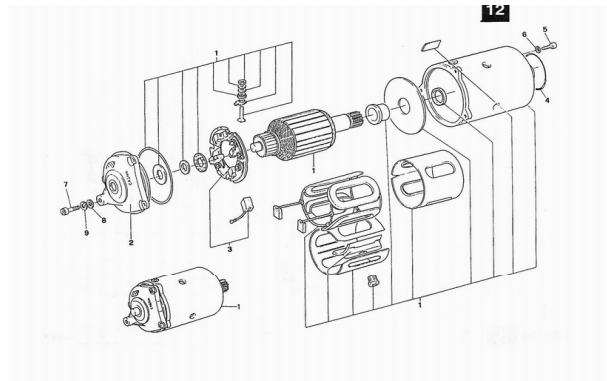


| No | Part Number | Description | Q'ty | No | Part Number | Description | Q'ty |
|----|----------------|----------------------|------|----|-------------------|-------------|------|
| 1 | 192YMR-1410000 | Magnetor | 1 | 17 | 192YMR-1410102 | Nut | 1 |
| 2 | 192YMR-1320000 | Starting clutch assy | 1 | 18 | 192YMR-1410103 | Washer | 1 |
| 3 | 192YMR-1320002 | Spring | 1 | 19 | GB5781-86 | Screw | 6 |
| 4 | 192YMR-1420000 | Coil | 1 | 20 | | Plug pipe | 1 |
| 5 | | rectifier | 1 | 21 | | Spark pipe | 1 |
| 6 | 192YMR-1430000 | CDI | 1 | 22 | 192YMR-1320004 | Gear | 1 |
| 7 | 192YMR-1320003 | Ring | 1 | 23 | | Gear | 1 |
| 8 | GB/T309 | Pin | 1 | 24 | 192YMR-1320005 | Washer | 1 |
| 9 | GB/T70.1—2000 | Screw | 4 | 25 | 192YMR-1330001 | Gear | 1 |
| 10 | GB/T70.1 | Screw | 3 | 26 | 192YMR-1330006333 | Gear | 1 |
| 11 | 192YMR-1410203 | Washer | 3 | 27 | GB/T5846 | Needle cage | 3 |
| 12 | GB/T70.1 | Screw | 2 | 28 | 192YMR-1330002 | Washer | 4 |
| 13 | | Spring washer | 2 | 29 | 192YMR-1330003 | Spacer | 1 |
| 14 | 192YMR-1410201 | Retaining plate | 1 | 30 | 192YMR-1330004 | Shaft | 1 |
| 15 | 192YMR-1410202 | Retaining plate | 1 | 31 | 192YMR-1330005 | Shaft | 1 |
| 16 | 192YMR-1410101 | Woodruff key | 1 | 32 | | Cable | 1 |



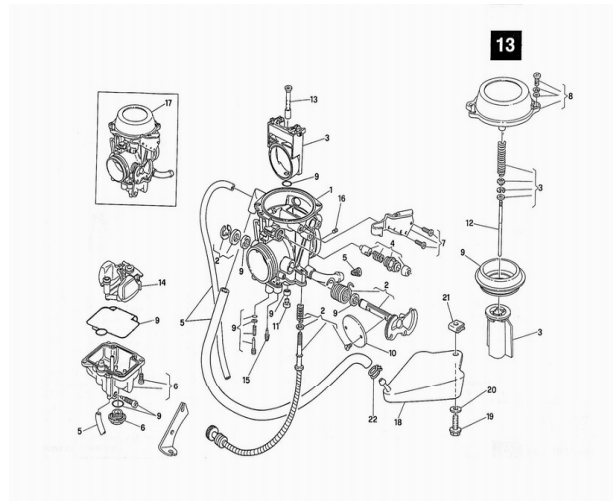
| No. | Part Number | Description | Q'ty | No. | Part Number | Description | Q'ty |
|-----|----------------|------------------------|------|-----|----------------|--------------------|------|
| 1 | 192YMR-1100001 | Starter shaft | 1 | 26 | 192YMR-1100022 | Spring washer | 2 |
| 2 | 192YMR-1100014 | Adjust washer | 1 | 27 | 192YMR-1100101 | Rocker arm | 1 |
| 3 | 192YMR-1100002 | Adjust washer | 1 | 28 | 192YMR-1100102 | Return spring | 1 |
| 4 | 192YMR-1100003 | Sleeve | 1 | 29 | 192YMR-1100103 | Slider shaft | 1 |
| 5 | 192YMR-1100004 | Spring | 1 | 30 | GB/T41 | Nut | 1 |
| 6 | 192YMR-1100005 | Gear | 1 | 31 | GB/T97.1 | Washer | 1 |
| 7 | 192YMR-1100006 | Needle cage | 1 | 32 | 192YMR-1100200 | Starter lever assy | 1 |
| 8 | 192YMR-1100007 | Adjust washer | 1 | 33 | 192YMR-1100202 | Clamp | 1 |
| 9 | 192YMR-1100008 | Adjust washer | 1 | 34 | GB/T5781 | Screw | 1 |
| 10 | GB/T894.1 | Lock ring | 1 | 35 | GB/T308 | ball | 1 |
| 11 | 192YMR-1100009 | Spring base | 1 | 36 | 192YMR-1100203 | Spring | 1 |
| 12 | 192YMR-1100010 | Spring | 1 | 37 | 192YMR-1100204 | Seal ring | 2 |
| 13 | 192YMR-1100011 | Starting ratchet wheel | 1 | 38 | 192YMR-1100205 | Screw | 1 |
| 14 | 192YMR-1100012 | Return spring | 1 | 39 | 192YMR-1100206 | Rubber sleeve | 1 |
| 15 | 192YMR-1100013 | Inside spacer | 1 | 40 | 192YMR-1100104 | Cable | 1 |
| 16 | 192YMR-1100014 | Adjust washer | 1 | 41 | 192YMR-1100207 | Washer | 1 |
| 17 | GB/T894.1 | Lock ring | 1 | 42 | GB/T893 | Lock ring | 1 |
| 18 | 192YMR-1100015 | Gear | 1 | 43 | 192YMR-1100105 | Stop plate | 1 |
| 19 | 192YMR-1100016 | Needle cage | 1 | 44 | 192YMR-1100201 | Starter lever | 1 |
| 20 | 192YMR-1100017 | Adjust washer | 1 | 45 | 192YMR-1100208 | Rubber plug | 1 |
| 21 | 192YMR-1100018 | Adjust washer | 1 | | | | |
| 22 | GB/T894.1 | Lock ring | 1 | | | | |
| 23 | 192YMR-1100019 | Plate | 1 | | | | |
| 24 | 192YMR-1100020 | Plate | 1 | | | | |
| 25 | 192YMR-1100021 | Screw | 2 | | | | |

E12



| No | Part Number | Description | Q'ty |
|----|-------------|----------------|------|
| 1 | | EL.start motor | 1 |
| 2 | | Cap | 1 |
| 3 | | Brush holder | 1 |
| 4 | | Seal ring | 1 |
| 5 | | Screw | 2 |
| 6 | | Spring washer | 2 |
| 7 | | Screw | 1 |
| 8 | | Washer | 1 |
| 9 | | Washer | 1 |

E13



CARBURETOR

| No | Part Number | Description | Q'ty | No | Part Number | Description | Q'ty |
|----|-------------|----------------------|------|----|-------------|--------------------|------|
| 1 | | Carburetor | 1 | 11 | | Main jet | 1 |
| 2 | | Throttle valve group | 1 | 12 | | Needle valve | 1 |
| 3 | | Vacuum control group | 1 | 13 | | Fuel nozzle 740/YO | 1 |
| 4 | | Starter group | 1 | 14 | | Float assy | 1 |
| 5 | | Pipe | 1 | 15 | | Idle jet 50 | 1 |
| 6 | | Chamber | 1 | 16 | | Air jet | 1 |
| 7 | | Plate group | 1 | 17 | | Carburettor | 1 |
| 8 | | Cover assy. | 1 | 18 | | Vent tank | 1 |
| 9 | | Gasket assy. | 1 | 19 | | Screw | 1 |
| 10 | | Throttle valve | 1 | 20 | | Washer | 1 |
| | | | | | | Nut | 1 |
| | | | | | | Clamp | 1 |