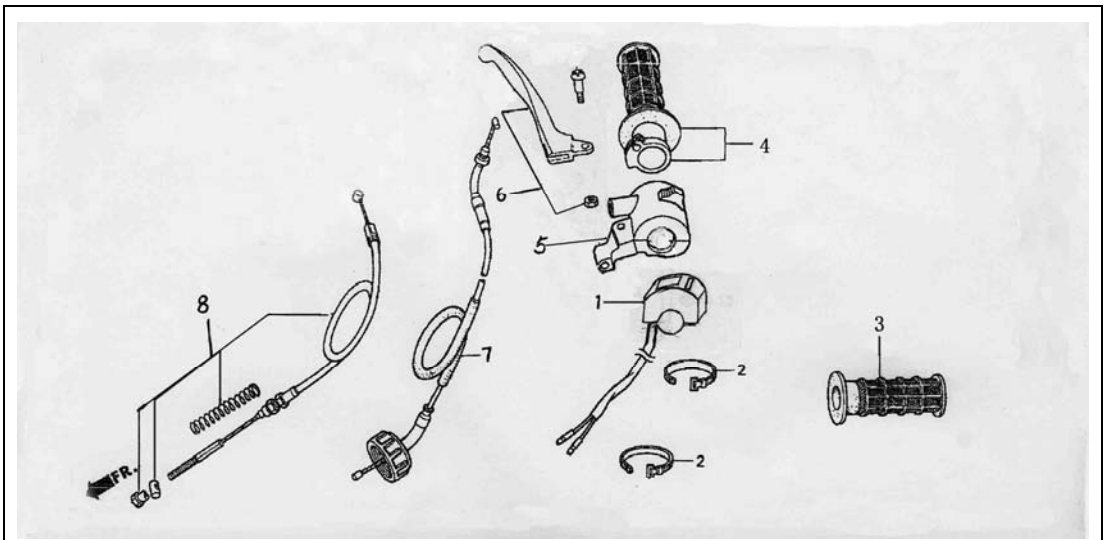
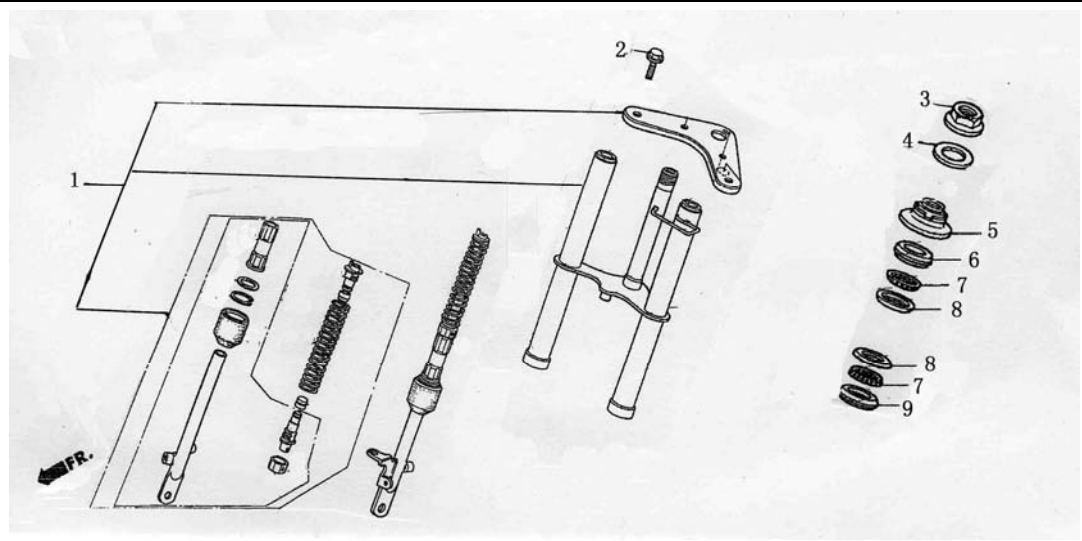


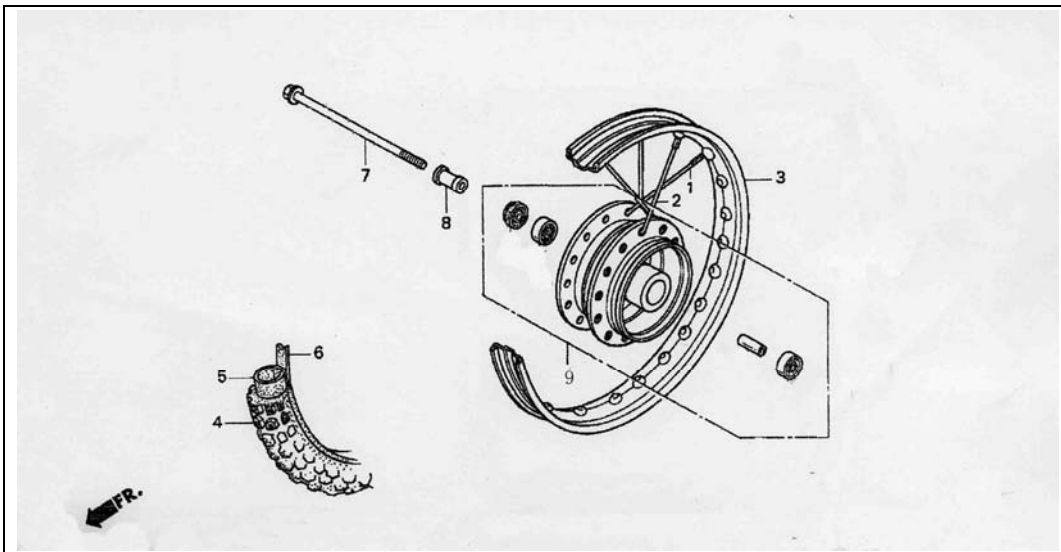
REFNR	PART NUMBER	PART DESCRIPTION	UNIT QTY	REMARK
1	C3100-DB50	STEERING HANDLE	1	DB50
	C3100-DB70	STEERING HANDLE	1	DB70
2	GB6187-86	NUT M8	2	
3	C3310-DB50	HANDLE PROTECTOR	1	



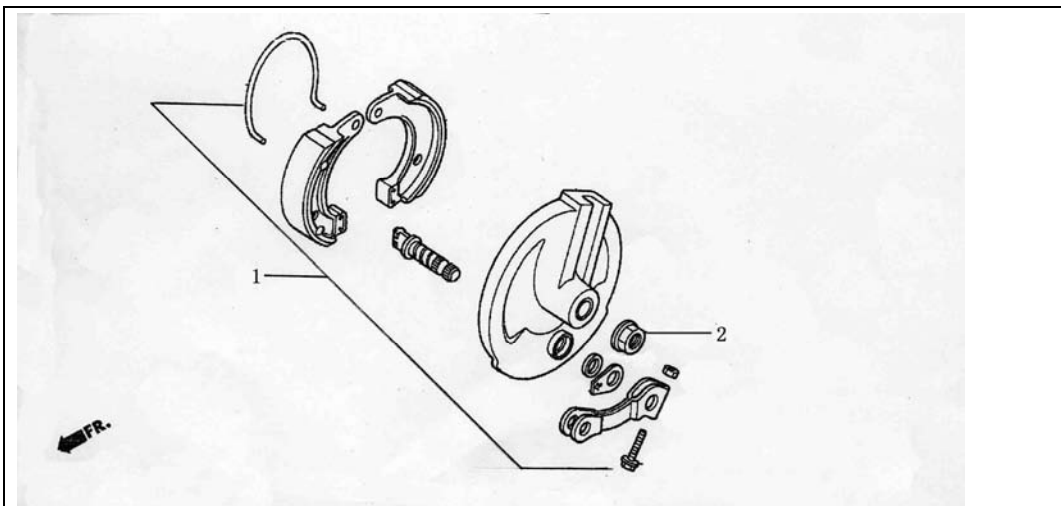
REFNR	PART NUMBER	PART DESCRIPTION	UNIT QTY	REMARK
1	H6100-DB50	STOP SWITCH, FRONT	1	
2	H1211-DB50	BAND B 6*150	2	
3	H6130-DB50	GRIP, L. HANDLE	1	
4	H6530-DB50	GRIP, R. HANDLE	1	
5	H6511-DB50	PERCH, THROTTLE	1	
6	H6512-DB50	LEVER, R. STEERING HANDLE	1	
7	J1100-DB50	CABLE SET, THROTTLE	1	
8	J1400-DB50	CABLE, FR. BRAKE	1	



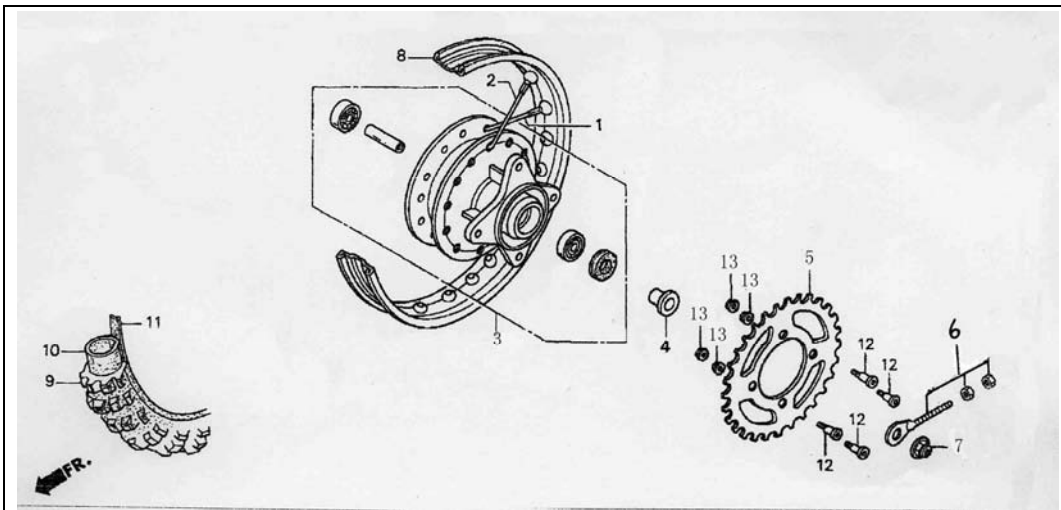
REFNR	PART NUMBER	PART DESCRIPTION	UNIT QTY	REMARK
1	K1100-DB50	FR. SHOCK ABSORBER	1	DB50
	K1100-DB70	FR. SHOCK ABSORBER	1	DB70
2	GB5789-86	BOLT M10*25	2	
3	K1255-DB50	NUT, STEERING STEM	1	DB50
	K1255-DB110	BOLT, STEERING STEM	1	DB70
4	K1256-DB50	WASHER, BIG PLAIN	1	DB50
	K1256-DB110	WASHER, BIG PLAIN	1	DB70
5	K1253-DB50	LOCKNUT,STEERING STEM	1	
6	K1201-DB50	UPPER CONE RACE	1	
7	K1220-DB50	BALL	2	
8	K1212-DB50	UPPER/LOWER BEARING	2	
9	K1231-DB50	BOTTOM CONE RACE	1	



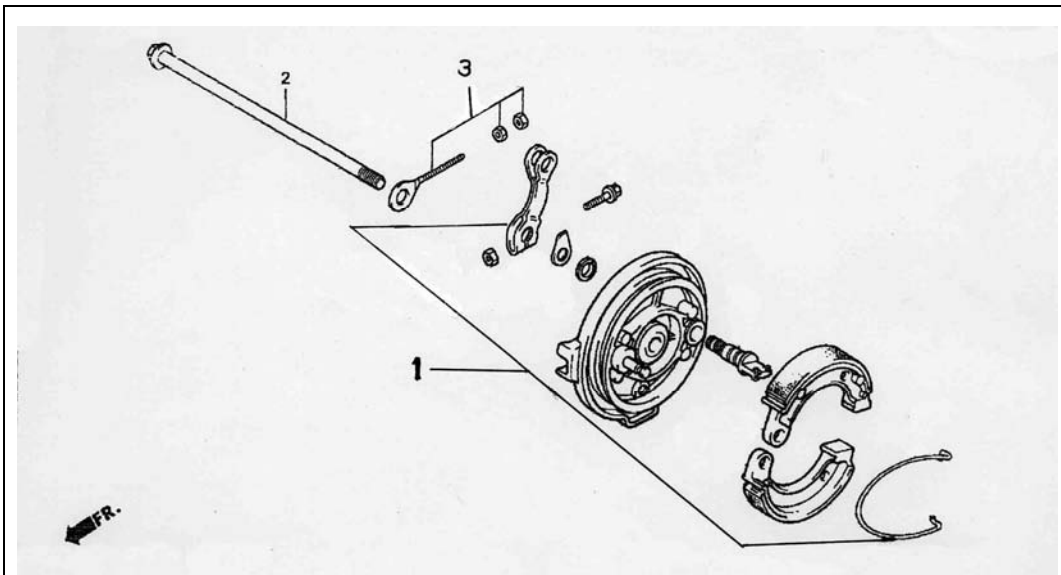
REFNR	PART NUMBER	PART DESCRIPTION	UNIT QTY	REMARK
1	K2210-DB50	INSIDE SPOKE, FR.	14	
2	K2220-DB50	OUTSIDE SPOKE, FR.	14	
3	K2410-DB50	RIM WHEEL, FR.	1	
4	K6100-DB50	TIRE, FR	1	
5	K6120-DB50	TUBE, FR.	1	
6	K6130-DB50	BAND, TIRE	1	
7	K2911-DB50	AXLE, FR.WHEEL ϕ 12*150	1	DB50
	K2911-DB70	AXLE, FR.WHEEL ϕ 12*190	1	DB70
8	K2931-DB50	BUSH,RR ϕ 12.5* ϕ 20*28	1	DB50
	K2921-DB70	BUSH,RR ϕ 12.5* ϕ 20*35	1	DB70
9	K2310-DB50	HUB ASSY., FR.	1	



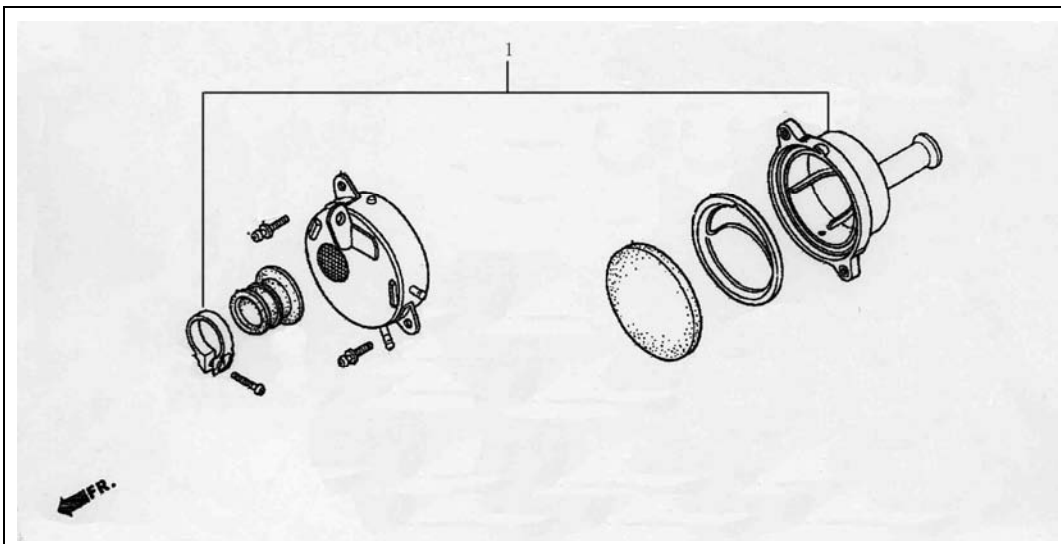
REFNR	PART NUMBER	PART DESCRIPTION	UNIT QTY	REMARK
1	K2500-DB50	BRAKE DRUM COVER ASSY, FR. 3	1	
2	GB6187-86	NUT M12	1	



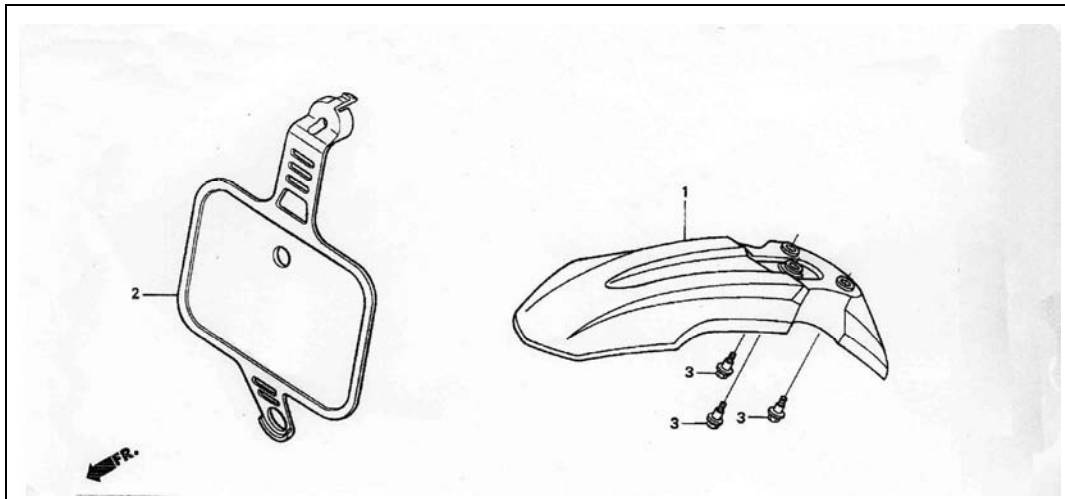
REFNR	PART NUMBER	PART DESCRIPTION	UNIT QTY	REMARK
1	L2210-DB50	INSIDE SPOKE, RR.	1	
2	L2220-DB50	OUTSIDE SPOKE, RR.	1	
3	L2310-DB50	HUB ASSY., RR.	14	
4	L2921-DB50	BUSH, RR. 25	14	
5	L2711-DB50	SPROCKET, FINAL DRIVEN	1	
6	L2800-DB50	CHAIN ADJUSTER	1	
7	GB6187-86	NUT M12	1	
8	L2410-DB50	RIM, RR.WHEEL	1	
9	K6100-DB50	TIRE, RR.	1	
10	K6120-DB50	TUBE,RR	1	
11	L6130-DB50	BAND, TIRE	1	
12	GB5789-86	BOLT M8*30	4	
13	GB6187-86	NUT M8	4	



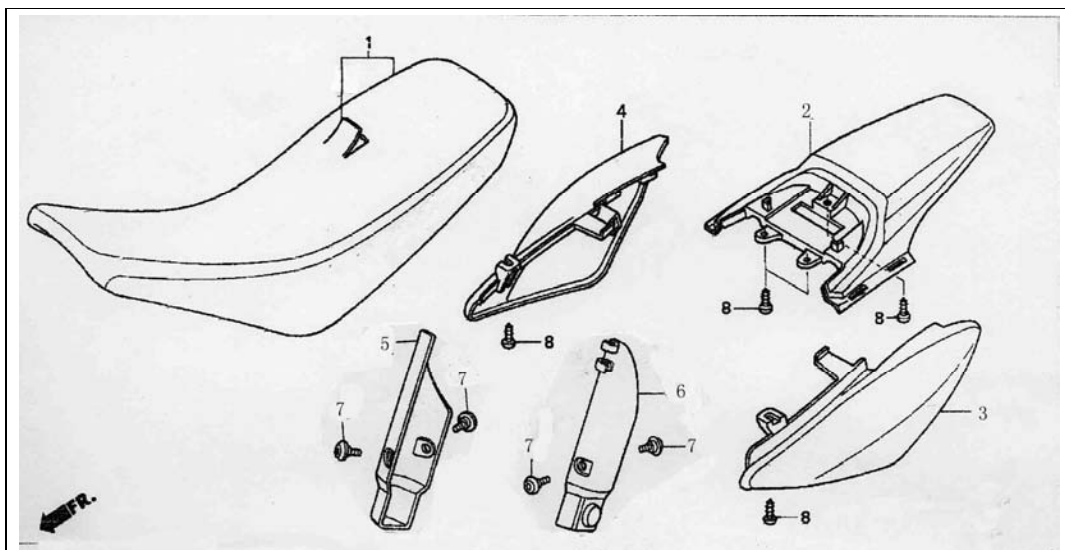
REFNR	PART NUMBER	PART DESCRIPTION	UNIT QTY	REMARK
1	L2520-DB50	REAR BRAKE DRUM COVER ASSY	1	
2	L2911-DB50	AXLE, RR. WHEEL M12*220	1	
3	L2800-DB50	CHAIN ADJUSTER	1	



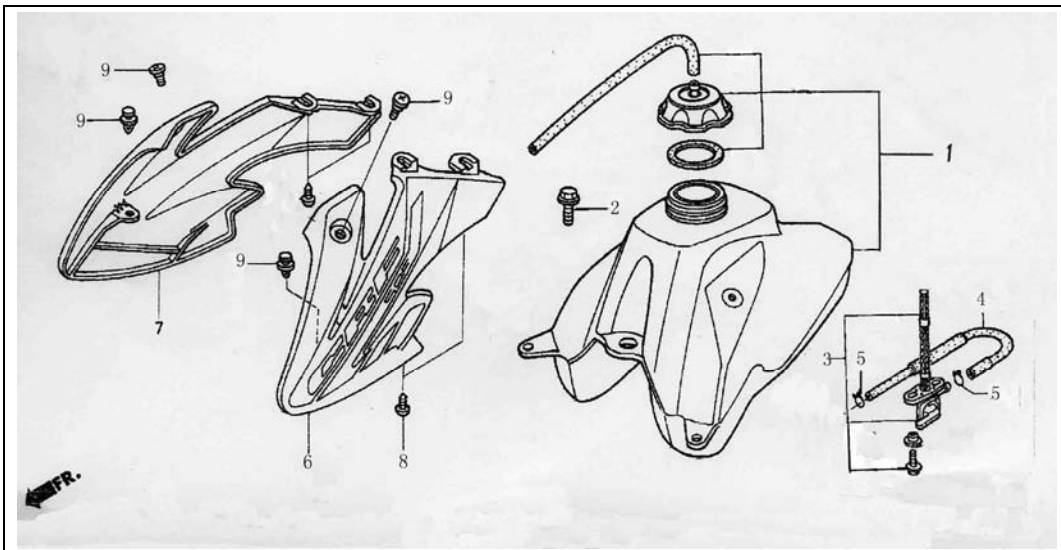
REFNR	PART NUMBER	PART DESCRIPTION	UNIT QTY	REMARK
1	F2100-DB50	AIR CLEANER	1	



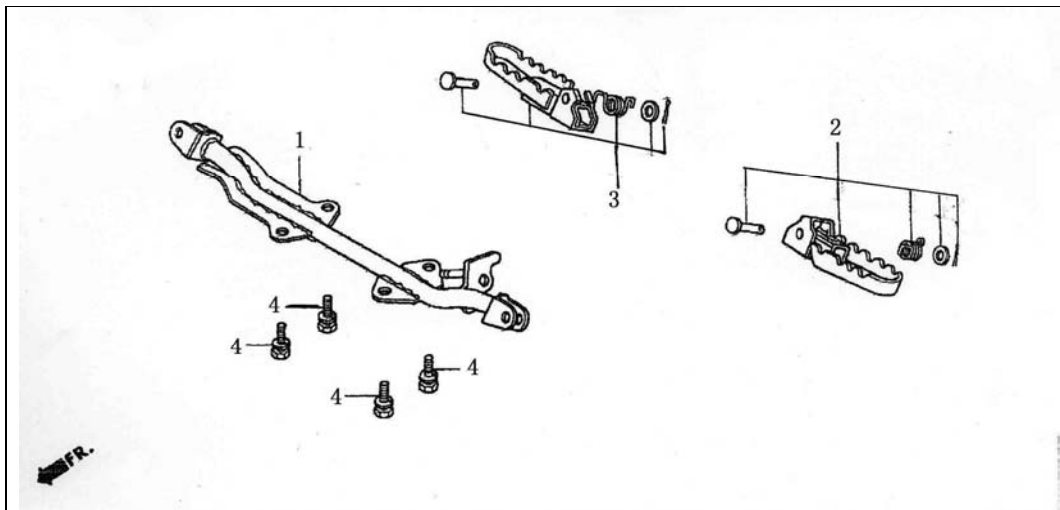
REFNR	PART NUMBER	PART DESCRIPTION	UNIT QTY	REMARK
1	N1101-DB50	FENDER, FR.	1	
2	N3101-DB50	PLATE SET, FR.NUMBER	1	
3	GB5789-86	BOLT M6*12	3	



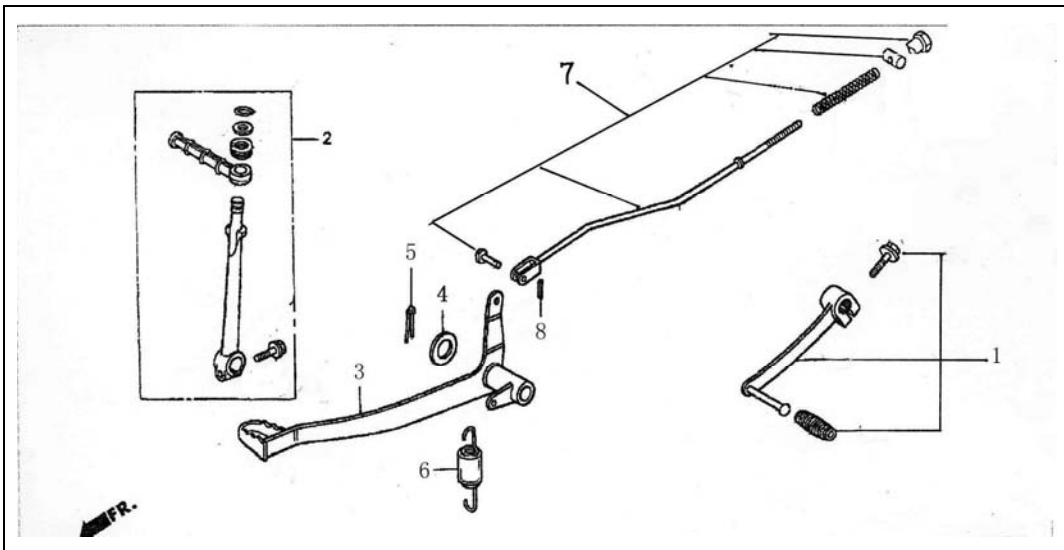
REFNR	PART NUMBER	PART DESCRIPTION	UNIT QTY	REMARK
1	M1110-DB50	SEAT COMP.	1	
2	N5131-DB50	FENDER SET, RR.	1	
3	N5101-DB50	REAR L. COVER	1	
4	N5102-DB50	REAR R. COVER	1	
5	N2812-DB50	PROTECTOR, R.FR.FORK	1	
6	N2811-DB50	PROTECTOR, L.FR.FORK	1	
7		BOLT M6*12	4	
8	GB845-85	SCREW, ST4.2*12	5	



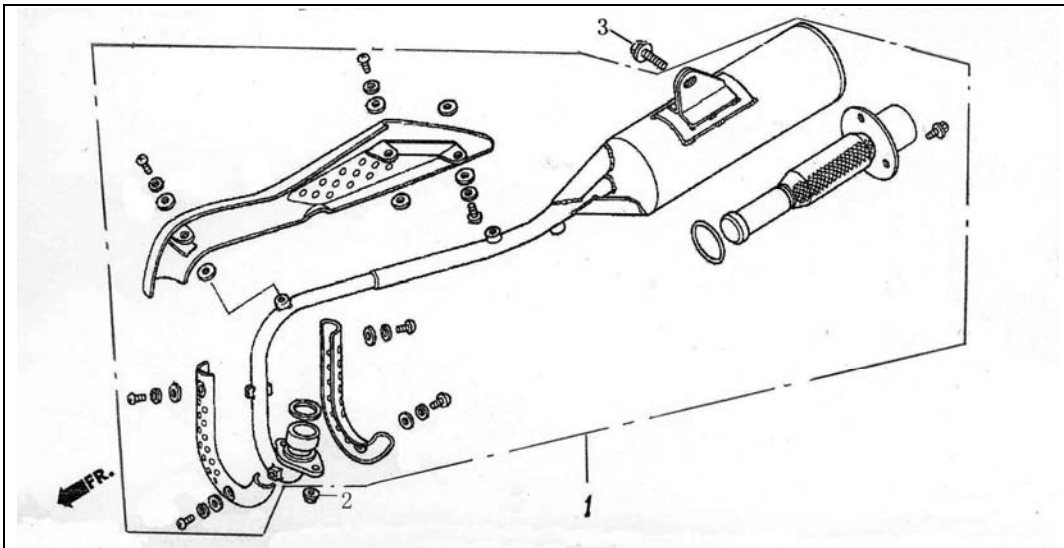
REFNR	PART NUMBER	PART DESCRIPTION	UNIT QTY	REMARK
1	F1110-DB50	FUEL TANK	1	
2	GB5789-87	BOLT M8*20	2	
3	F1210-DB50	COCK ASSY, FUEL	1	
4	F1311-DB50	FUEL PIPE 4.7*120	1	
5	QC/T621-1999	CLIP,TUBE ϕ 7.5	2	
6	N4211-DB50	L. COVER	1	
7	N4221-DB50	R. COVER	1	
8	GB845-85	SCREW ST6*12	4	
9		BOLT	4	



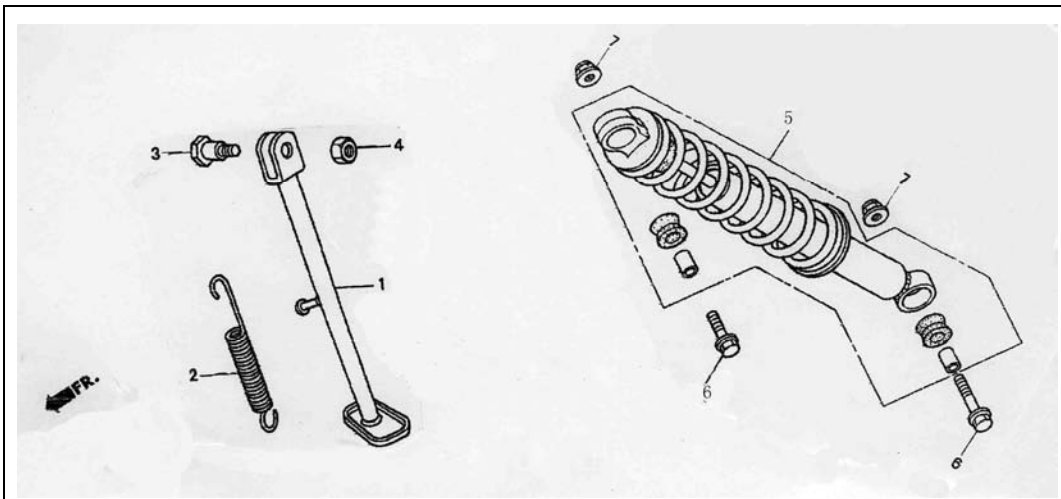
REFNR	PART NUMBER	PART DESCRIPTION	UNIT QTY	REMARK
1	D2110-DB50	FOOT REST LEVER	1	
2	D2120-DB50	L. FOOTREST	1	
3	D2130-DB50	R. FOOTREST	1	
4	GB5783-86	BOLT M8*16	4	



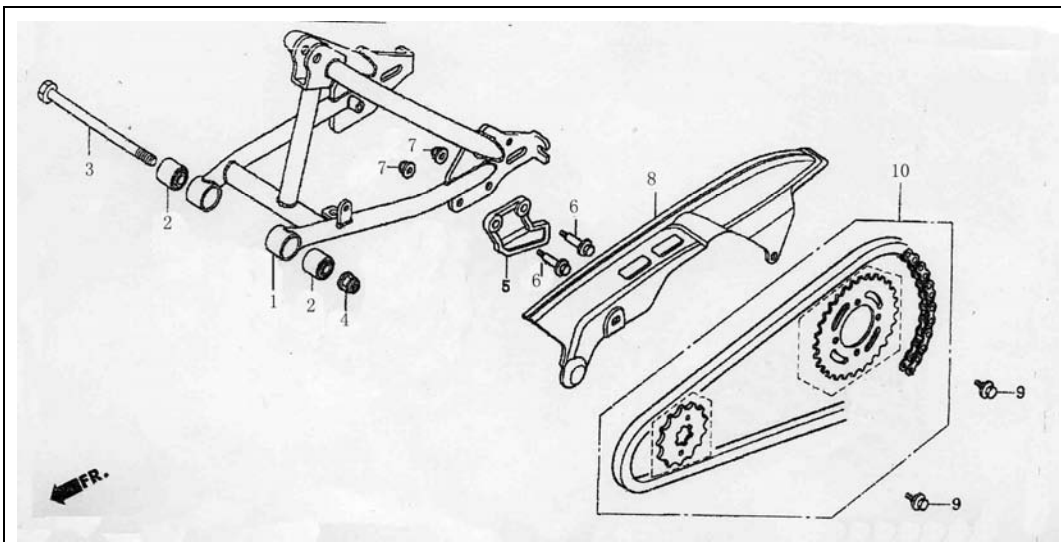
REFNR	PART NUMBER	PART DESCRIPTION	UNIT QTY	REMARK
1		PEDAL, GEAR CHANGE	1	
2		ARM ASSY, KICK STARTER	1	
3	J2110-DB50	BRAKE PEDAL	1	
4	GB95-85	WASHER 15*30	1	
5	GB91-86	SPLIT PIN 2*25	1	
6	J2210-DB50	SPRING ASSY, RR. BRAKE PEDAL	1	
7	J2410-DB50	ROD COMP., RR. BRAKE	1	
8	GB91-86	SPLIT PIN 1*10	1	



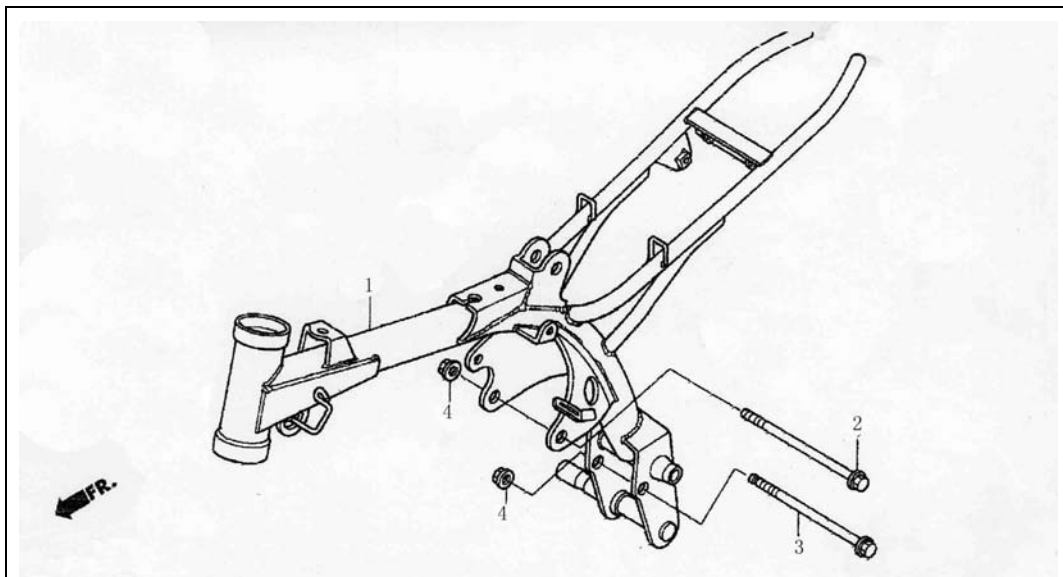
REFNR	PART NUMBER	PART DESCRIPTION	UNIT QTY	REMARK
1	F3100-DB50	MUFFLER ASSY	1	
2	GB6177-86	NUT M6	2	
3	GB5789-87	BOLT M8*20	1	



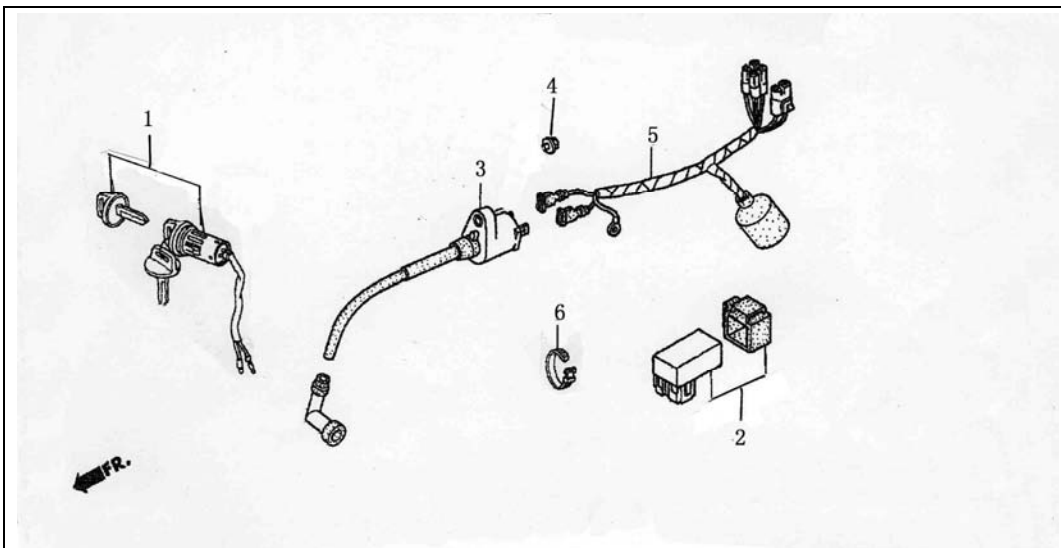
REFNR	PART NUMBER	PART DESCRIPTION	UNIT QTY	REMARK
1	D2150-DB50	BAR COMP., SIDE STAND	1	
2	D2161-DB50	SPRING, SIDE STAND	1	
3	D2171-DB50	BOLT, SIDE STAND	1	
4	GB6177-86	NUT M8	1	
5	L1100-DB50	REAR SHOCK ABSORBER	1	
6	GB5789-86	BOLT M10*40	2	
7	GB6187-86	NUT M10	2	



REFNR	PART NUMBER	PART DESCRIPTION	UNIT QTY	REMARK
1	C5100-DB50	SWINGARM, RR.	1	
2	C5210-DB50	BUSH, SWINGARM PIVOT RUBBER	2	
3	C5201-DB50	SHAFT, SWINGARM	1	
4	GB6187-86	NUT M10	1	
5	N5541-DB50	CHAIN GUIDE BLOCK	1	
6	GB5789-87	BOLT M8*25	2	
7	GB6177-86	NUT M8	2	
8	L2712-DB50	CASE, DRIVE CHAIN	1	
9	GB5789-86	BOLT M6*12	2	
10	GB/T14212-93	CHAIN 420*76	1	



REFNR	PART NUMBER	PART DESCRIPTION	UNIT QTY	REMARK
1	C1100-DB50	FRAME	1	
2	GB5789-87	BOLT M8*115	1	
3	GB5789-87	BOLT M8*110	1	
4	GB6187-86	NUT M8	2	



REFNR	PART NUMBER	PART DESCRIPTION	UNIT QTY	REMARK
1	H5100-DB50	KEY ASSY	1	
2	H2210-DB50	UNIT .COMP., C.D.I	1	
3	H2100-DB50	COIL, C.D.I. IGNITION	1	
4	GB6177-87	NUT M6	1	
5	H1100-DB50	WIRE HARNESS	1	
6	H1212-DB50	BAND A 6*250	3	