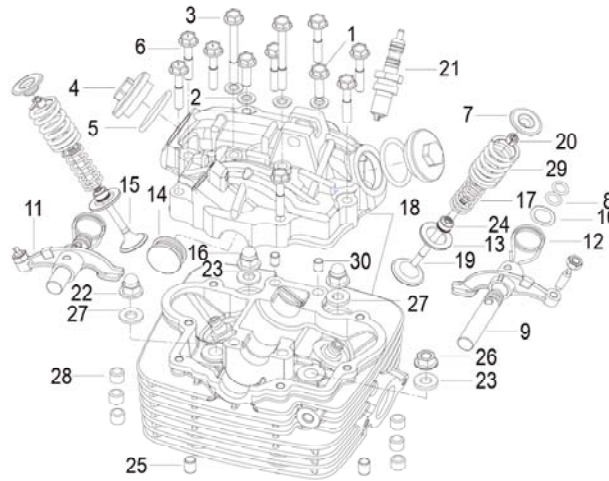
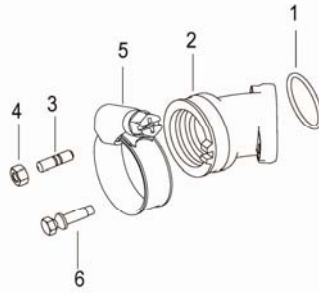


E01气缸盖/盖罩分总成 COVER CYLINDER HEAD ASSY



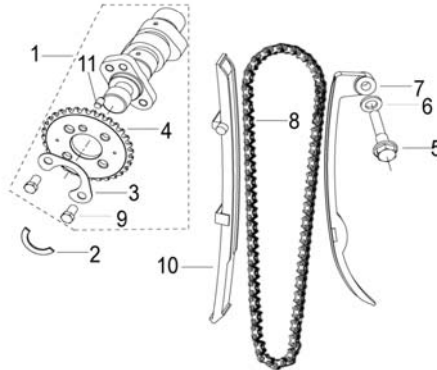
Model	NO.	Position No.	CODE	EN DESCRIPTION	Qty/Unit
TX125-TX150	1	E01-1	120143090000	BOLT M6×21	2
TX125-TX150	2	E01-2	120133090002	WASHER	4
TX125-TX150	3	E01-3	10005309001X	BOLT M6×60	2
TX125-TX150	4	E01-4	12001214002X	VAVLE HEAD	2
TX125-TX150	5	E01-5	100033090000	O RING 30.5×3.3	2
TX125-TX150	6	E01-6	10006309001X	BOLT M6X35	8
TX125-TX150	7	E01-7	120013090002	GASKET,UP SPRING	2
TX125-TX150	8	E01-8	B190100860A0	O RING 8.6×1.9	4
TX125-TX150	9	E01-9	12916309002X	AXLE, VALVE ROCKER ARM	2
TX125-TX150	10	E01-10	120033090000	WASHER,SPRING	2
TX125-TX150	11	E01-11	12913309002X	ADJUSTING	2
TX125-TX150	12	E01-12	120163090000	ROCKER SPRING	2
TX125-TX150	13	E01-13	129213090003	GASKET,OUTER SPRING,δ1.5	2
TX125-TX150	14	E01-14	100043090000	CYLINDER COVER JAMMING	1
TX125	15	E01-15	129193090002	VALVE,EXHAUST	1
TX150	15	E01-15	129194180000	VALVE,EXHAUST	1
TX125-TX150	16	E01-16	120083090000	CAP NUT M8	2
TX125-TX150	17	E01-17	129264180000	SPRING,OUTER	2
TX125	18	E01-18	100343090090	COVER&CYLINDER HEAD	1
TX125	18	E01-18	100343090070	COVER&CYLINDER HEAD	1
TX150	18	E01-18	109014180020	COVER&CYLINDER HEAD	1
TX125	19	E01-19	129183090002	VALVE,INTAKE	1
TX150	19	E01-19	129184180000	VALVE,INTAKE	1
TX125-TX150	20	E01-20	129223230000	COTTER,VALVE	4
TX125	21	E01-21	299073090002	SPARK PLUG M10	1
TX125-TX150	21	E01-21	299073070010	SPARK PLUG M12×1.25	1
TX125-TX150	22	E01-22	120083090000	CAP NUT M8	1
TX125-TX150	23	E01-23	120093090000	WASHER 8	2
TX125-TX150	24	E01-24	120013050000	OIL SEAL	2
TX125-TX150	25	E01-25	120103090000	PIN,DOWEL	2
TX125-TX150	26	E01-26	12012309002X	NUT M8	1
TX125-TX150	27	E01-27	120113090000	WASHER 8	2
TX125-TX150	28	E01-28	120063090000	SHOCK ABSORBER CHOCK	6
TX125-TX150	29	E01-29	129254180000	SPRING,INNER	2
TX125-TX150	30	E01-30	150022140000	PIN,DOWEL,φ7Xø8X12	2

E02进气管组件分总成
E02 INSULATOR,CARBURETOR ASSY



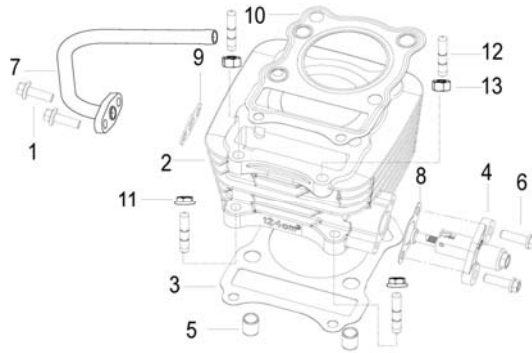
Model	NO.	Position No.	CODE	EN DESCRIPTION	Qty/Unit
TX125-TX150	1	E02-1	100023090000	O RING 31.5×2.4	1
TX125-TX150	2	E02-2	119013090003	PIPE ASSY, INTAKE	1
TX125-TX150	3	E02-3	12007305001X	STUD BOLT M6X32	1
TX125-TX150	4	E02-4	B04050600064	NUT M6	1
TX125-TX150	5	E02-5	110043090013	CLAMP ASSY	1
TX125	6	E02-6	15002116001X	SCREW,DECOLLATION	1

E03 配气机构 INTAKE&EXHAUST MECHANISM



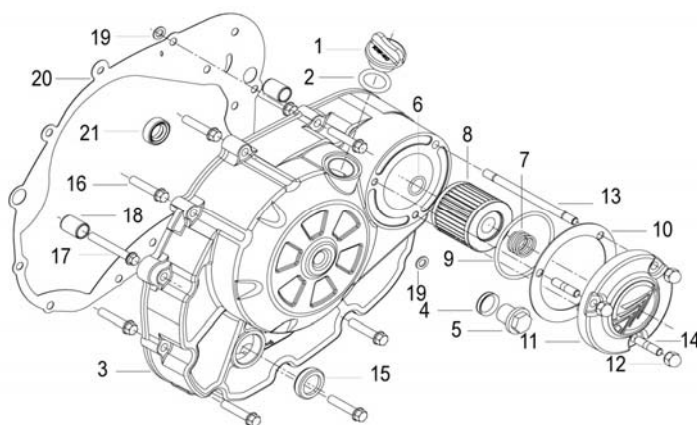
Model	NO.	Position No.	CODE	EN DESCRIPTION	Qty/Unit
TX125-TX150	1	E03-1	129074180000	CAMSHAFT ASSY	1
TX125-TX150	2	E03-2	120043090000	WASHER	1
TX125-TX150	3	E03-3	120343090000	WASHER	1
TX125-TX150	4	E03-4	120353090000	CHAIN WHEEL	1
TX125-TX150	5	E03-5	140023090000	BOLT	1
TX125-TX150	6	E03-6	140033090000	WASHER	1
TX125-TX150	7	E03-7	140013090002	COMPONENTS OF THE	1
TX125-TX150	8	E03-8	129023090002	TIMING CHAIN	1
TX125-TX150	9	E03-9	120203090000	GASKET	2
TX125-TX150	10	E03-10	140063090002	CHAIN LEFT GUIDE PLATE	1
TX125-TX150	11	E03-11	B090105008B0	PIN	1

E04 气缸体分总成 CYLINDER



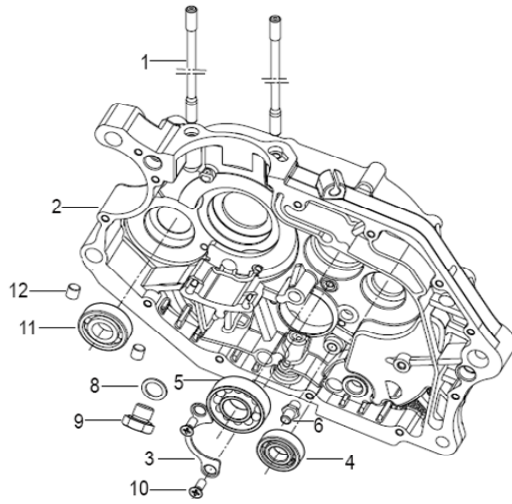
Model	NO.	Position No.	CODE	EN DESCRIPTION	Qty/Unit
TX125	1	E04-1	B01070601864	BOLT M6×18	2
TX125	2	E04-2	139013210030	CYLINDER GRAY	1
TX150	2	E04-2	139014180090	CYLINDER,GRAY,without	1
TX125	3	E04-3	139023090022	GASKET,CYLINDER,in green	1
TX125-TX150	3	E04-3	139023090032	GASKET,CYLINDER,in black	1
TX125-TX150	4	E04-4	149033090010	TENSIONER ASSY GRAY	1
TX125-TX150	5	E04-5	130023090000	PIN,DOWEL	2
TX125-TX150	6	E04-6	13001309001X	BOLT M6X20	2
TX125	7	E04-7	119014180000	SYPHON ASSM	1
TX125-TX150	8	E04-8	130113090012	SEAL SPACER	1
TX125	9	E04-9	119092140020	GASKET	1
TX125-TX150	10	E04-10	109073090000	CYLINDER HEAD GASKET	1
TX125-TX150	11	E04-11	B04070600054	HEXAGON NUTS WITH	2
TX125-TX150	12	E04-12	12007309001X	STUD BOLT	4
TX125-TX150	13	E04-13	B04050600064	NUT M6	2

E05右蓋分总成 CLUTCH COVER ASSY



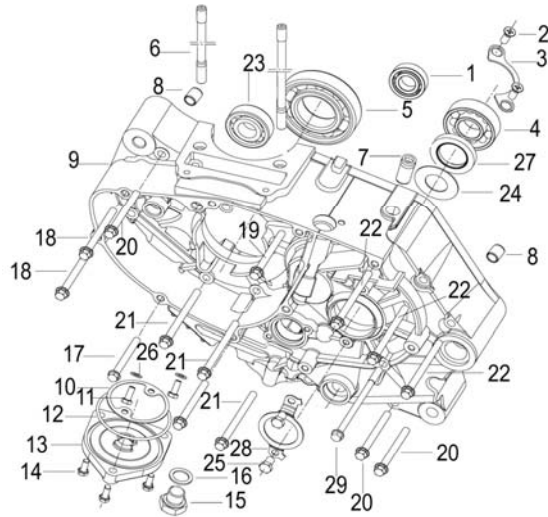
Model	NO.	Position No.	CODE	EN DESCRIPTION	Qty/Unit
TX125-TX150	1	E05-1	160063090000	OIL FILLER THREAD PLUG	1
TX125-TX150	2	E05-2	B190101700C0	O RING17×3.55	1
TX125-TX150	3	E05-3	169103090190	COVER,CLUTCH GRAY	1
TX125-TX150	4	E05-4	160253090000	O RING φ12	1
TX125-TX150	5	E05-5	160203090002	PLUG M12	1
TX125-TX150	6	E05-6	B190101250A0	O RING12.5×1.8	1
TX125-TX150	7	E05-7	160033090000	SPRING	1
TX125-TX150	8	E05-8	160043090000	PAPER FILTER ELEMENT	1
TX125-TX150	9	E05-9	B190105260B0	O RING52.6×2.4	1
TX125-TX150	10	E05-10	160373210010	MACHINE FILTERS COVERS	1
TX125-TX150	11	E05-11	160393090090	MACHINE FILTERS THE LID	1
TX125-TX150	12	E05-12	B04220600034	COVERS THE NUT M6	3
TX125-TX150	13	E05-13	16005309001X	DOUBLE SCREW BOLT	1
TX125-TX150	14	E05-14	B03000601262	DOUBLE SCREW BOLT M6×12	2
TX125-TX150	15	E05-15	160083090000	OIL INDICATOR ASSY	1
TX125-TX150	16	E05-16	B01070603264	BOLT M6×32	9
TX125-TX150	17	E05-17	B01070604564	BOLT M6×45	1
TX125-TX150	18	E05-18	150043090000	PIN,DOWEL	2
TX125-TX150	19	E05-19	150013070000	WASHER 6	2
TX125-TX150	20	E05-20	169113210010	GASKET,COVER LH	1
TX125-TX150	21	E05-21	160023090000	OIL SEAL	1

E06右曲轴轴衬分总成 RIGHT CRANKCASE ASSY



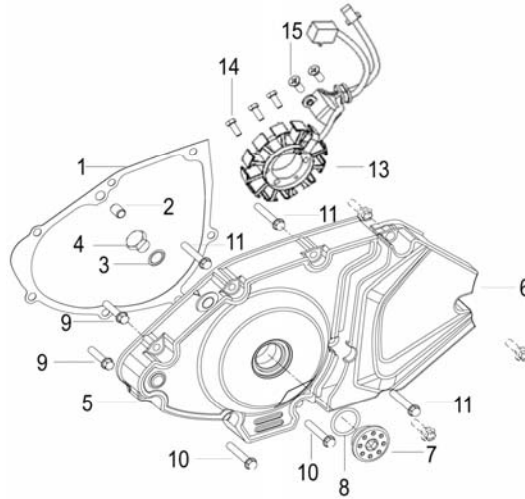
Model	NO.	Position No.	CODE	EN DESCRIPTION	Qty/Unit
TX125-TX150	1	E06-1	15911309002X	STIDBOLT,CYLINDER 8×173	2
TX125-TX150	2	E06-2	159033210040	CRANKCASE,RIGHT	1
TX125-TX150	3	E06-3	150113090000	GEAR	1
TX125-TX150	4	E06-4	B12016020204	BERING6202/P6	1
TX125-TX150	5	E06-5	B12016020403	BEARING6204/P6	1
TX125-TX150	6	E06-6	150123090000	SET BOLT	1
TX125-TX150	8	E06-8	150093090000	GASKET SEAL	1
TX125-TX150	9	E06-9	15008309003X	THE SPIRAL STOPS UP	1
TX125-TX150	10	E06-10	B02010601263	SCREW M6X12	2
TX125-TX150	11	E06-11	B12016020307	BERING 6203	1
TX125-TX150	12	E06-12	150035140000	PIN,DOWEL	2

E07左曲轴箱分总成 LEFT CRANKCASE ASSY



Model	NO.	Position No.	CODE	EN DESCRIPTION	Qty/Unit
TX125-TX150	1	E07-1	B12016000203	BERING 6002-RS/P6	1
TX125-TX150	2	E07-2	B02010601263	TEN CHARACTER TROUGHS	2
TX125-TX150	3	E07-3	150113090000	GEAR	1
TX125-TX150	4	E07-4	B12016020403	BEARING6204/P6	1
TX125-TX150	5	E07-5	150304230000	BERING 6207/P53 Z2	1
TX125-TX150	6	E07-6	15910309002X	AIR CYLINDER STUD	2
TX125-TX150	7	E07-7	150153090000	HOSE,BREATHER	1
TX125-TX150	8	E07-8	150043090000	PIN,DOWEL	2
TX125-TX150	9	E07-9	159023210090	LEFT CRANKCASE ASSY	1
TX125-TX150	10	E07-10	150103090000	OIL SET	1
TX125-TX150	11	E07-11	B01030501263	HEXAGONAL HEAD TAP BOLT	1
TX125-TX150	12	E07-12	B190106050B0	O RING 60.5×2.4	1
TX125-TX150	13	E07-13	150023090090	MESH LID GRAY	1
TX125-TX150	14	E07-14	B01070602064	BOLT M6×20	3
TX125-TX150	15	E07-15	16009309002X	THE SPIRAL STOPS UP	1
TX125-TX150	16	E07-16	150093090000	GASKET SEAL	1
TX125-TX150	17	E07-17	B01070605564	BOLT M6×55	1
TX125-TX150	18	E07-18	B01070606563	BOLT M6×65	2
TX125-TX150	19	E07-19	B01070606063	BOLT M6×60	1
TX125-TX150	20	E07-20	B01070606064	BOLT M6×60	4
TX125-TX150	21	E07-21	B01070607563	BOLT M6×75	3
TX125-TX150	22	E07-22	B01070607564	BOLT M6×75	3
TX125-TX150	23	E07-23	B12016020307	BEARING 6203	1
TX125-TX150	24	E07-24	210083090000	WASHER 20	1
TX125-TX150	25	E07-25	B01030601063	BOLT M6×10	2
TX125-TX150	26	E07-26	100084050000	WASHER 5	2
TX125-TX150	27	E07-27	210073090000	OIL SEAL 27X40X6	1
TX125-TX150	28	E07-28	210093090000	SEAL PACKING COVER	1
TX125-TX150	29	E07-29	10001305001X	BOLT M6×95	1

E08曲轴箱左盖总成 MAGNETO COVER



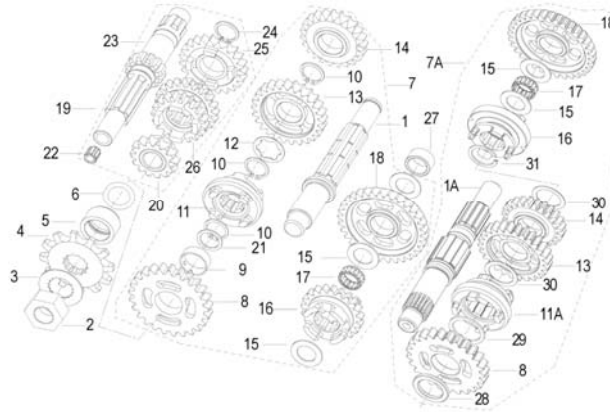
Model	NO.	Position No.	CODE	EN DESCRIPTION	Qty/Unit
TX125-TX150	1	E08-1	169073210010	GASKET,COVER MAGNETO	1
TX125-TX150	2	E08-2	150112070000	PIN,DOWEL	2
TX125-TX150	3	E08-3	160253090000	O RING13.8X2.5	1
TX125-TX150	4	E08-4	160203090002	PLUG	1
TX125	5	E08-5	169063090090	COVER,MAGNETO GRAY	1
TX150	5	E08-5	169063090030	COVER,MAGNETO	1
TX125-TX150	6	E08-6	169053090140	COVER,SPROCKET GRAY	1
TX125-TX150	7	E08-7	160383090000	SEAL COVER	1
TX125-TX150	8	E08-8	B190102240C0	O RING22.4×3.55	1
TX125-TX150	9	E08-9	B01070603064	BOLT M6×30	2
TX125-TX150	10	E08-10	B01070603864	BOLT M6×38	2
TX125-TX150	11	E08-11	B01070604064	BOLT M6×40	3
TX125-TX150	13	E08-13	299033090000	STATOR ASSY. COMP.	1
TX125-TX150	14	E08-14	B01030502863	BOLT	2
TX125-TX150	15	E08-15	B02040401223	SCREW M4×12	2

E09活塞曲轴连杆杆总成 CRANKSHAFT CONROD & PISTON ASSY



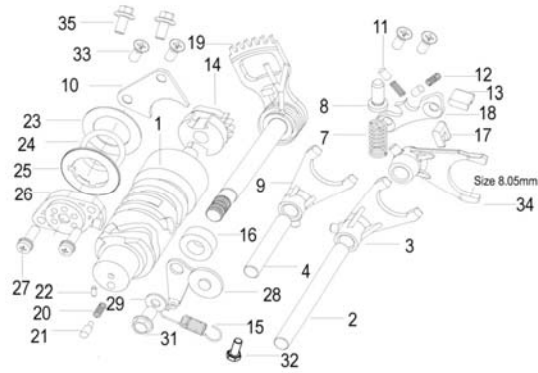
Model	NO.	Position No.	CODE	EN DESCRIPTION	Qty/Unit
TX125-TX150	1	E09-1	170013090000	NUT M16X1.5	1
TX125-TX150	2	E09-2	170023090000	WASHER	1
TX125-TX150	3	E09-3	269063090000	OIL PUMP, GEAR DRIVE	1
TX125-TX150	5	E09-5	170041170000	KEY 4×20	1
TX125	6	E09-6	179013210002	CRANKSHAFT&CONNECTING	1
TX150	6	E09-6	179014180001	CRANKSHAFT&CONNECTING	1
TX125-TX150	7	E09-7	B11810305013	KEY	1
TX125	8	E09-8	240013060010	NUT M12	1
TX150	8	E09-8	260092140000	NUT	1
TX125-TX150	9	E09-9	179133090003	PISTON	1
TX125-TX150	10	E09-10	179143090002	PIN,PISTON	1
TX125-TX150	11	E09-11	179153090000	CIRCLIPΦ14	2
TX125-TX150	12	E09-12	17009309003Z	RING ASSY	1
TX125-TX150	13	E09-13	179303210000	GEAR DRIVE	1
TX125	15	E09-15	179243210005	BALANCE SHAFT ASSY	1
TX150	15	E09-15	179244180000	BALANCE SHAFT ASSY	1

E10主、副轴分总成 COUNTER&DRIVE SHAFT ASSY



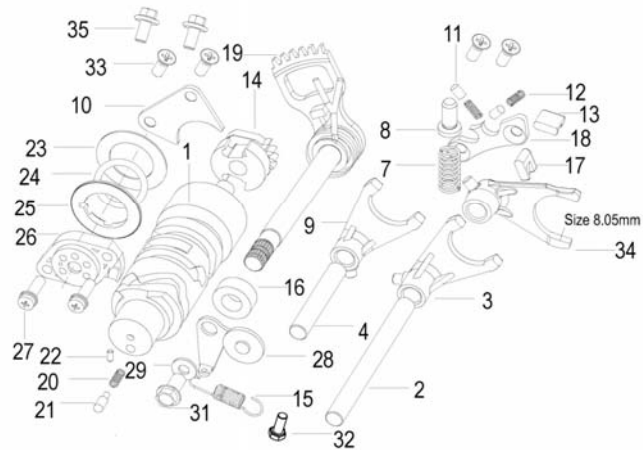
Model	NO.	Position No.	CODE	EN DESCRIPTION	Qty/Unit
TX125	1	E10-1	219223090000	SHAFT,DRIVE	1
TX125-TX150	1A	E10-1A	219223090010	SHAFT,DRIVE	1
TX125-TX150	2	E10-2	210063090000	WASHER,LOCK M16X1.5	1
TX125-TX150	3	E10-3	219313090000	GASKET, COVER MAGNETO	1
TX125-TX150	4	E10-4	219303090000	SPROCKET,ENGINE 13TEETH	1
TX125-TX150	5	E10-5	210053090000	SPACER	1
TX125-TX150	6	E10-6	B190101900B1	O RING 19×2.65	1
TX125	7	E10-7	21922309001Z	DRIVEN SHAFT ASSY	1
TX125-TX150	7A	E10-7A	219213090010	DRIVEN SHAFT ASSY	1
TX125-TX150	8	E10-8	219243090000	GEAR,2ND DRIVEN	1
TX125	9	E10-9	210473090000	SPACER 23×20×7	1
TX125	10	E10-10	B080100020A0	CIRCLIP	3
TX125	11	E10-11	210113090000	CHANGES THE FILES WHEEL	1
TX125-TX150	11A	E10-11A	210483090000	CHANGES THE FILES WHEEL	1
TX125	12	E10-12	210123090000	WASHER,SPLINE 20	1
TX125-TX150	13	E10-13	219253090000	GEAR, 3 RD DRIVEN	1
TX125-TX150	14	E10-14	219263090000	GEAR, 4 TH DRIVEN	1
TX125-TX150	15	E10-15	210133090000	WASHER	4
TX125-TX150	16	E10-16	219273090000	WASHER	4
TX125-TX150	17	E10-17	210463090000	BERING	1
TX125-TX150	18	E10-18	219233090000	GEAR, 1ST DRIVEN	1
TX125-TX150	19	E10-19	219133210000	DRIVE SHAFT ASSY	1
TX125-TX150	20	E10-20	219163090000	DRIVING TWO SPEED GEAR	1
TX125	21	E10-21	240062140000	WASHERS φ20.2	1
TX125-TX150	22	E10-22	210043090000	STOPS UP THE COLUMN	1
TX125-TX150	23	E10-23	219143210000	SHAFT,COUNTER	1
TX125-TX150	24	E10-24	B080100020A0	CIRCLIP	1
TX125-TX150	25	E10-25	219193090000	DRIVING FIFTH GEAR GEAR	1
TX125-TX150	26	E10-26	210033090000	INITIATIVE THREE, FOURTH	1
TX125-TX150	27	E10-27	210013210000	SPACER	1
TX125-TX150	28	E10-28	210013390000	WASHER	1
TX125-TX150	29	E10-29	210033390000	WASHER 23	1
TX125-TX150	30	E10-30	210133070000	WASHER φ20	2
TX125-TX150	31	E10-31	220014030000	CIRCLIP 20	1

E11换挡机构分总成 GEAR SHIFT MECHANISM



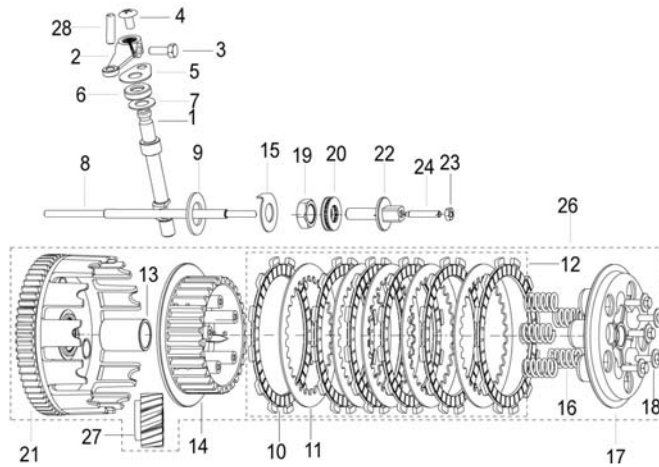
Model	NO.	Position No.	CODE	EN DESCRIPTION	Qty/Unit
TX125-TX150	1	E11-1	250043090000	DRUM, GEAR SHIFT	1
TX125-TX150	2	E11-2	219093090000	SHAFT, GEAR SHIFT	1
TX125-TX150	3	E11-3	219103090000	FORK	2
TX125-TX150	4	E11-4	219083090000	SHAFT, SHIFT FORK	1
TX125-TX150	7	E11-7	210393090000	LATCH SPRING	1
TX125-TX150	8	E11-8	210383090000	NEUTRAL LATCH	1
TX125-TX150	9	E11-9	219113090000	FORK	1
TX125-TX150	10	E11-10	250063090000	ON NOTCH WHEEL	1
TX125-TX150	10	E11-10	250063090020	ON NOTCH WHEEL	1
TX125-TX150	11	E11-11	210303090000	NOTCH WHEEL BACK-UP	2
TX125-TX150	12	E11-12	210283090000	RATCHET SPRING	2
TX125-TX150	13	E11-13	210273090000	RIGHT PAWL	1
TX125-TX150	14	E11-14	250083090000	CHANGES THE FILES NOTCH	1
TX125-TX150	15	E11-15	210363090022	ABUT ARM EXTENSION	1
TX125-TX150	16	E11-16	210373090000	OIL SEAL	1
TX125-TX150	17	E11-17	210293090000	LEFT PAWL	1
TX125-TX150	18	E11-18	250033090000	UNDER NOTCH WHEEL	1
TX125-TX150	19	E11-19	219063210000	SHAFT, GEAR SHIFT	1
TX125-TX150	20	E11-20	210313090000	SPRING	1
TX125-TX150	21	E11-21	210323090000	ANTENNA	1
TX125-TX150	22	E11-22	B091404006B0	PIN B4×6	1
TX125-TX150	23	E11-23	250073090000	WASHER	1
TX125-TX150	24	E11-24	B190102580B0	O RING25.8×2.65	1

E11 换挡机构分总成 GEAR SHIFT MECHANISM



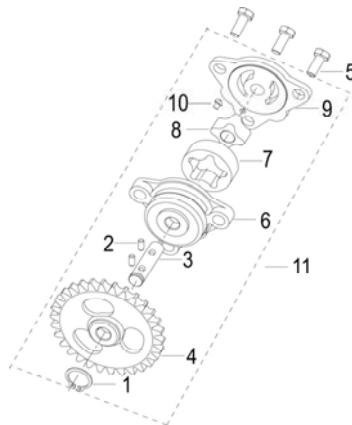
Model	NO.	Position No.	CODE	EN DESCRIPTION	Qty/Unit
TX125-TX150	25	E11-25	210253090000	CHANGES GRADE OF DRUM	1
TX125-TX150	25	E11-25	210253090030	CHANGES GRADE OF DRUM	1
TX125-TX150	26	E11-26	210263090002	FILES POSITION CONTACT	1
TX125-TX150	27	E11-27	B13080502022	SCREW W/WASHER M5×20	2
TX125-TX150	28	E11-28	210353090002	ABUT ARM MODULE	1
TX125-TX150	29	E11-29	210343090000	WASHERS 6	1
TX125-TX150	31	E11-31	210333090000	MOVE BOLT M6	1
TX125-TX150	32	E11-32	150263090000	BOLTS M4X10	1
TX125-TX150	33	E11-33	B02010601263	SCREW M6X12	4
TX125-TX150	34	E11-34	219103390000	FORK,LEFT	1
TX125-TX150	35	E11-35	B01070601263	BOLT M6X12	2

E12离合器分总成 CLUTCH ASSY



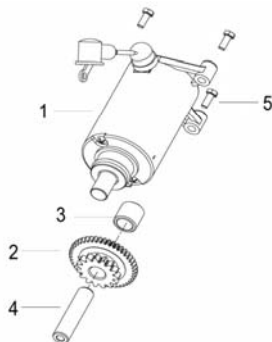
Model	NO.	Position No.	CODE	EN DESCRIPTION	Qty/Unit
TX125-TX150	1	E12-1	129083090000	CAMSHAFT	1
TX125-TX150	2	E12-2	209073090000	SEPARATION RELEASE	1
TX125-TX150	3	E12-3	B01010601665	BOLT M6×16	1
TX125-TX150	4	E12-4	B02060601224	CROSS TROUGH FLAT CUP	1
TX125-TX150	5	E12-5	200173090000	CLIP	1
TX125-TX150	6	E12-6	200023090000	TUMBLER AXIS OIL SEAL	1
TX125-TX150	7	E12-7	200013090000	WASHER,THRUST	2
TX125-TX150	8	E12-8	200013210000	PUSH ROD	1
TX125-TX150	9	E12-9	200043090000	WASHER,THRUST	1
TX125-TX150	10	E12-10	200083090000	PLATE, DRIVE	5
TX125-TX150	11	E12-11	200093090000	PLATE, DRIVE	4
TX125-TX150	12	E12-12	200473090000	CLUTCH ASSY	1
TX125-TX150	13	E12-13	200053090000	SPACER	1
TX125-TX150	14	E12-14	200073090000	HUB, CLUTCH SLEEVE	1
TX125-TX150	15	E12-15	200163090000	LOCKING WASHER	1
TX125-TX150	16	E12-16	200113090000	SPRING	5
TX125-TX150	17	E12-17	200103090000	PRESSURE PLATE	1
TX125-TX150	18	E12-18	B13140501604	SCREW W/WASHER M5×16	5
TX125-TX150	19	E12-19	200153090000	PIECE,DIRVE	1
TX125-TX150	20	E12-20	200123090000	NEEDLE BEARING	1
TX125-TX150	21	E12-21	200063090000	GEAR, PRIMARY DRIVE	1
TX125-TX150	22	E12-22	200143090000	SEAT, BEARING	1
TX125-TX150	23	E12-23	B04000600054	NUT M6	1
TX125-TX150	24	E12-24	20013309001X	SCREW M6	1
TX125-TX150	26	E12-26	209013210000	CLUTCH ASSY	1
TX125-TX150	27	E12-27	170393210000	GEAR DRIVE	1
TX125-TX150	28	E12-28	B090406014A5	SHAFT M6×14	1

E13机油泵分总成 OIL PUMP ASSY



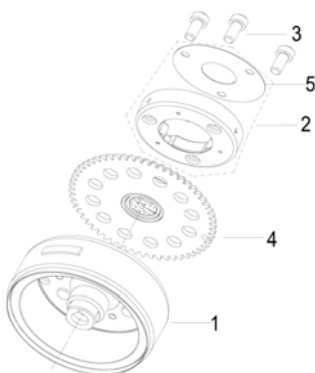
Model	NO.	Position No.	CODE	EN DESCRIPTION	Qty/Unit
TX125-TX150	1	E13-1	B08030000601	RING 6	1
TX125-TX150	2	E13-2	B09012501220	PIN B2.5*12	2
TX125-TX150	3	E13-3	260063090000	OIL PUMP SHAFT	1
TX125-TX150	4	E13-4	260053090000	GEAR OIL PUMP	1
TX125-TX150	5	E13-5	B01070602563	BOLT M6*25	3
TX125-TX150	6	E13-6	260043090000	OIL PUMP BODY	1
TX125-TX150	7	E13-7	260033090000	ROTOR	1
TX125-TX150	8	E13-8	260023090000	OIL PUMP INNER ROTOR	1
TX125-TX150	9	E13-9	260013090000	OIL PUMP EXTERNAL ROTOR	1
TX125-TX150	10	E13-10	B02000300522	SCREW	1
TX125-TX150	11	E13-11	269003090000	OIL PUMP ASSY	1

E14起动机分总成 STARTING MOTOR ASSY



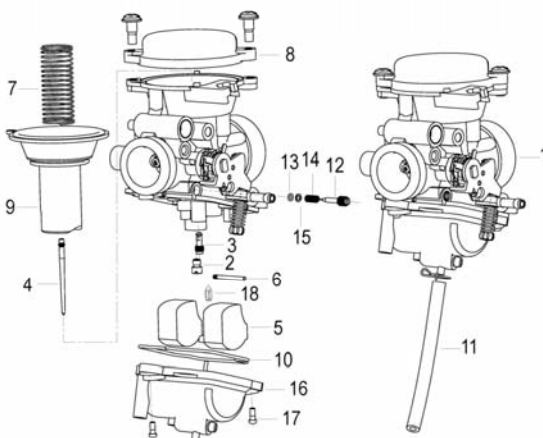
Model	NO.	Position No.	CODE	EN DESCRIPTION	Qty/Unit
TX125-TX150	1	E14-1	249013210010	STARTER MOTOR	1
TX125-TX150	2	E14-2	249043090000	START TURN IDLENESS	1
TX125-TX150	3	E14-3	240013090000	BUSHING BLOCK	1
TX125-TX150	4	E14-4	240023090000	HINGE PIN	1
TX125-TX150	5	E14-5	B01070602564	BOLT M6*25	2

E15磁电机分总成 MAGNETO ASSY



Model	NO.	Position No.	CODE	EN DESCRIPTION	Qty/Unit
TX125	1	E15-1	299023090012	ROTOR ASSY	1
TX150	1	E15-1	299024180020	ROTOR ASSY	1
TX125-TX150	2	E15-2	249093230000	GEAR,STARTER	1
TX125-TX150	3	E15-3	240063090000	BOLT M6×14	3
TX125-TX150	4	E15-4	240043090020	DRIVEN GEAR,STARTER	1
TX125-TX150	5	E15-5	240013240000	GEAR	1

E16化油器分总成 CARBURETOR ASSY



Model	NO.	Position No.	CODE	EN DESCRIPTION	Qty/Unit
TX125	1	E16-1	3390016M0015	CARBURETOR	1
TX150	1	E16-1	3390016M0020	CARBURETOR	1
TX125-TX150	2	E16-2	3311516M000A	MAIN JET 210#	1
TX125	3	E16-3	3312416M0000	IDLE JET 37.5#	1
TX150	3	E16-3	3312416M0006	IDLE JET,mark:37.5B	1
TX125-TX150	4	E16-4	3324216M0000	NEEDLE	1
TX125-TX150	5	E16-5	3340116M0000	FLOAT	1
TX125-TX150	6	E16-6	3340616M0000	PIN,FLOAT	1
TX125-TX150	7	E16-7	3322416M0000	SPRING	1
TX125-TX150	8	E16-8	3328216M0000	COVER ASSY.UPPER	1
TX125-TX150	9	E16-9	3322216M0000	VALVE ASSY.PISTON	1
TX125-TX150	10	E16-10	3351416M0000	SEAL	1
TX125-TX150	11	E16-11	3351216M0000	PIPE	1
TX125-TX150	12	E16-12	3314516M0000	SCREW, AIR QJ	1
TX125-TX150	13	E16-13	3315001M0000	SCREW, IDLE SPEED QJ	1
TX125-TX150	14	E16-14	3314615M0000	SPRING	1
TX125-TX150	15	E16-15	3314901M0000	WASHER	1
TX125-TX150	16	E16-16	3350116M010X	COVER UNDER	1
TX125-TX150	17	E16-17	B13080501403	SCREW M5×14	2
TX125-TX150	18	E16-18	3342016M0000	VALVE NEEDLE	1