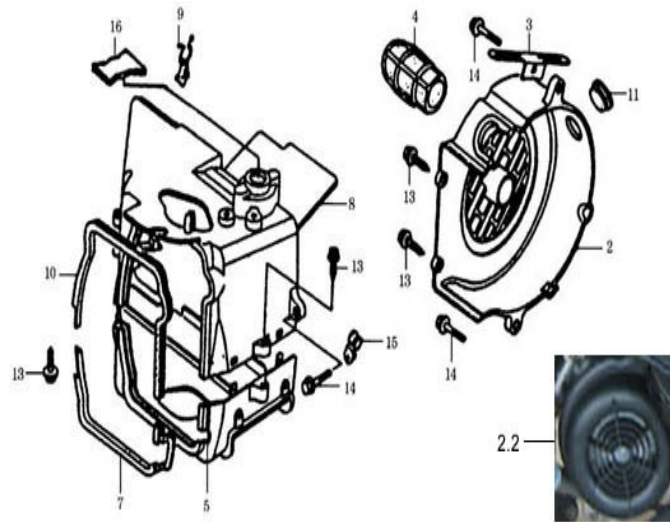


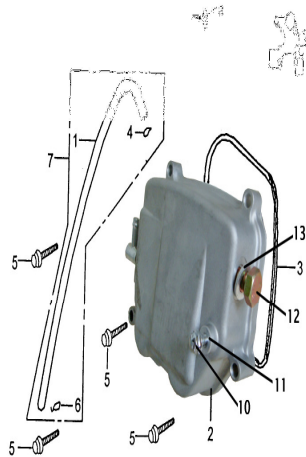
GY6 ENGINE

01 Fan Cover, Engine Cover



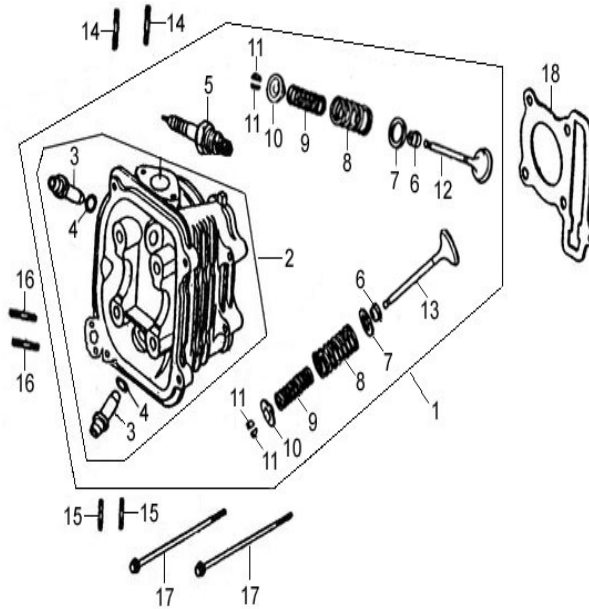
| Item | Parts no. | Description | Qty | Unit | Remark |
|------|--------------------|--------------------------|-----|------|--------------------|
| 2.2 | 152.05.002A | Cover Comp, Fan (New) | 1 | pcs | |
| 3 | 152.11.505 | Clamper, Starter Cable | 1 | pcs | |
| 4 | 152.12.118 | Cooling duct, Carburetor | 1 | pcs | |
| 5.1 | 152.02.004A | Shroud A | 1 | pcs | Europe II & Normal |
| 5.2 | 152.02.004B | Shroud A | 1 | pcs | Europe III |
| 7 | 152.12.117 | Seal Gum, Shroud A | 1 | pcs | |
| 8 | 152.05.003 | Shroud Comp B | 1 | pcs | |
| 9 | 152.12.203 | Clip, High Tension Cord | 1 | pcs | |
| 10 | 152.12.116 | Seal Gum, Shroud B | 1 | pcs | |
| 11 | 152.12.200 | Stopper, Rubber | 1 | pcs | |
| 13 | G16824.1-ST4.8*16S | Screw, ST4.8*16 | 4 | pcs | |
| 14 | G16674.1-M6*25S | Bolt, M6*25 | 3 | pcs | |
| 15 | 152.12.205 | Clamper, Oil Drain Tube | 1 | pcs | |
| 16 | 152.12.119 | Rubber Stopper | 1 | pcs | |

GY6 ENGINE
02 Cylinder Head Cover



| Item | Parts no. | Description | Qty | Unit | Remark |
|------|------------|--------------------------|-----|------|--------|
| 1 | 152.12.112 | TUBE BREA TEHER | 1 | pcs | |
| 2 | 152.04.301 | COVER COMP CYLINDER HEAD | 1 | pcs | |
| 3 | 152.12.111 | CASKET HEAD COVER | 1 | pcs | |
| 4 | 152.11.511 | CLAMP TUBE (D8.5) | 1 | pcs | |
| 5 | GB5787 | BOLT M6×25 | 4 | pcs | |
| 6 | 152.11.512 | CLAMP TUBE12mm | 1 | pcs | |
| 7 | | TUBE ASSY BREATHER | 1 | pcs | |
| 8 | GB845 | SCREW TAPPING | 3 | pcs | |
| 9 | 152.11.514 | PLATEL COVER | 1 | pcs | |
| 10 | GB16674.1 | BOLT M6×12. | 1 | pcs | |
| 11 | | WASHERS Φ6×Φ12.3×1.5 | 1 | pcs | |
| 12 | GB5783 | BOLT M6×16 | 1 | pcs | |
| 13 | | WASHERS Φ10.5×Φ18×2 | 1 | pcs | |

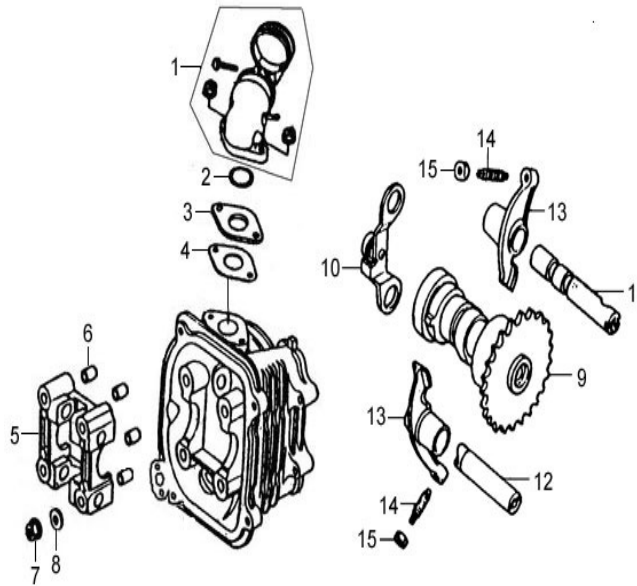
GY6 ENGINE
03 Cylinder Head



| Item | Parts no. | Description | Qty | Unit | Remark |
|------|------------------|-------------------------------|-----|------|-------------------------------|
| 2.3 | 152.04.200B | Head Comp, Cylinder (125cc) | 1 | pcs | |
| 3 | 152.04.201 | Guide, IN. Valve | 2 | pcs | Cannot be sourced separately. |
| 4 | 152.04.202 | O-Ring, 9*1.6 | 2 | pcs | |
| 5 | 152.07.200 | Spark Plug, CR7HSA | 1 | pcs | |
| 6 | 152.12.104 | Oil Seal, Valve | 2 | pcs | |
| 7 | 152.02.306 | Seat, Valve Spring Outer | 2 | pcs | |
| 8 | 152.02.303 | Spring, Valve Outer | 2 | pcs | |
| 9 | 152.02.304 | Spring, Valve Inner | 2 | pcs | |
| 10 | 152.02.305 | Retainer, Valve Sprint | 2 | pcs | |
| 11 | 152.02.307 | Lock, Valve | 4 | pcs | |
| 12A | 152.02.301 | Valve, IN (125cc) | 1 | pcs | |
| 12B | 157.02.301 | Valve, IN (150cc) | 1 | pcs | |
| 13A | 152.02.302 | Valve, EX(125cc) | 1 | pcs | |
| 13B | 157.02.302 | Valve, EX (150cc) | 1 | pcs | |
| 14 | 152.11.202 | Bolt, M6*63 | 2 | pcs | |
| 15 | 152.11.201 | Bolt, M6*32 | 2 | pcs | |
| 16 | 152.11.200 | Bolt, M6*28 | 2 | pcs | |
| 17 | G16674.1-M6*100A | Bolt, M6*100 | 2 | pcs | |
| 18A | 152.04.203 | Gasket, Cylinder Head (125cc) | 1 | pcs | |
| 18B | 157.04.203 | Gasket, Cylinder Head (150cc) | 1 | pcs | |

GY6 ENGINE

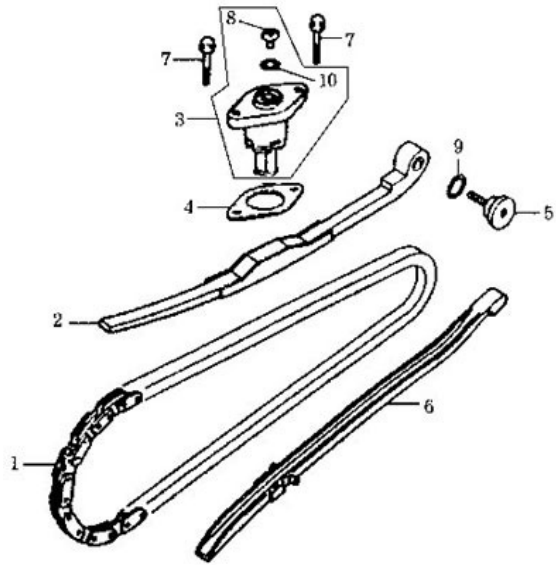
04 Air intake pipe, Camshaft, Valve Arm



| Item | Parts no. | Description | Qty | Unit | Remark |
|------|-------------|------------------------------|-----|------|--------|
| 1.1 | 152.08.200B | Pipe Comp, IN | 1 | pcs | |
| 2 | 152.12.109 | O-Ring, 27*2.0 | 1 | pcs | |
| 3 | 152.08.201 | Insulator, Carburetor | 1 | pcs | |
| 4 | 152.12.307 | Gasket, Carburetor Insulator | 1 | pcs | |
| 5 | 152.02.101 | Holder, Camshaft | 1 | pcs | |
| 6 | 152.11.516 | Pin, 10*16 | 4 | pcs | |
| 7 | G6177-M8A | Nut, M8 | 4 | pcs | |
| 8 | G97.2-8 | Washer, Φ8 | 4 | pcs | |
| 9 | 152.02.200 | Camshaft Comp | 1 | pcs | |
| 10 | 152.02.107 | Plate Comp, Stopper | 1 | pcs | |
| 11 | 152.02.103 | Shaft Comp, IN Rocker Arm | 1 | pcs | |
| 12 | 152.02.104 | Shaft Comp, EX Rocker Arm | 1 | pcs | |
| 13 | 152.02.102 | Valve Rocker | 2 | pcs | |
| 14 | 152.02.105 | Screw, Adjusting | 2 | pcs | |
| 15 | 152.02.106 | Nut, Adjusting | 2 | pcs | |

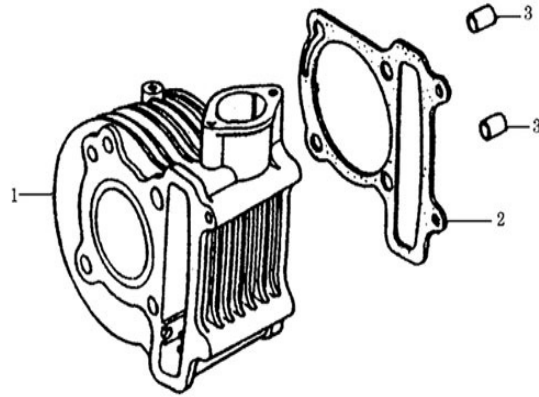
GY6 ENGINE

05 Camshaft Chain, Tensioner



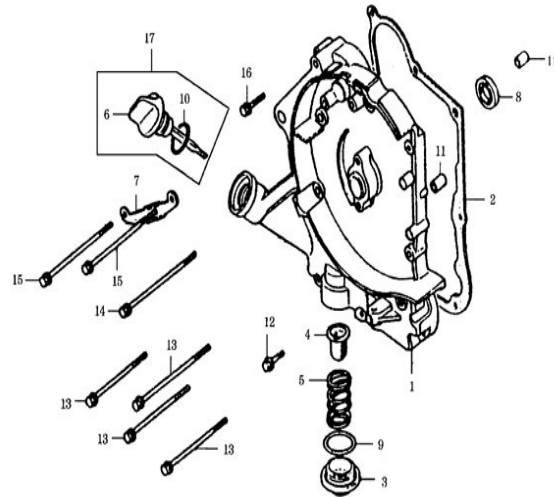
| Item | Parts no. | Description | Qty | Unit | Remark |
|------|-----------------|----------------------------|-----|------|----------|
| 1 | 152.02.500 | Camshaft Chain | 1 | pcs | 90 Links |
| 2 | 152.02.601 | Tensioner, Cam Chain | 1 | pcs | |
| 3 | 152.02.400 | Chain Regulator | 1 | pcs | |
| 4 | 152.12.306 | Gasket, Chain Regulator | 1 | pcs | |
| 5 | 152.02.603 | Pivot, Cam Chain Tensioner | 1 | pcs | |
| 6 | 152.02.602 | Leader, Camshaft Chain | 1 | pcs | |
| 7 | G16674.1-M6*22S | Bolt, M6*22 | 2 | pcs | |
| 8 | 152.02.401 | Screw, M6*6 | 1 | pcs | |
| 9 | 152.12.107 | O-Ring, 15.2*1.5 | 1 | pcs | |
| 10 | 152.02.402 | O-Ring, 9.5*1.5 | 1 | pcs | |

GY6 ENGINE
06 Cylinder



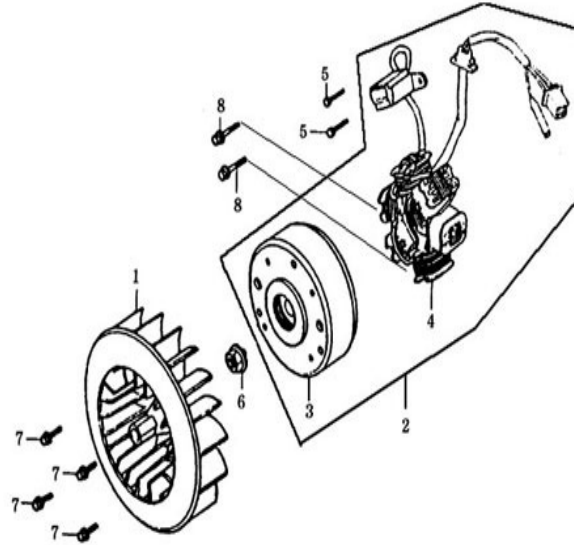
| Item | Parts no. | Description | Qty | Unit | Remark |
|------|------------|--------------------------|-----|------|--------|
| 1.1 | 152.04.100 | Cylinder Comp (125cc) | 1 | pcs | |
| 1.2 | 157.04.100 | Cylinder Comp (150cc) | 1 | pcs | |
| 2.1 | 152.12.304 | Gasket, Cylinder (125cc) | 1 | pcs | |
| 2.2 | 157.12.304 | Gasket, Cylinder (150cc) | 1 | pcs | |
| 3 | 152.11.516 | Pin, 10*16 | 2 | pcs | |

GY6 ENGINE
07 Right Crankcase Cover



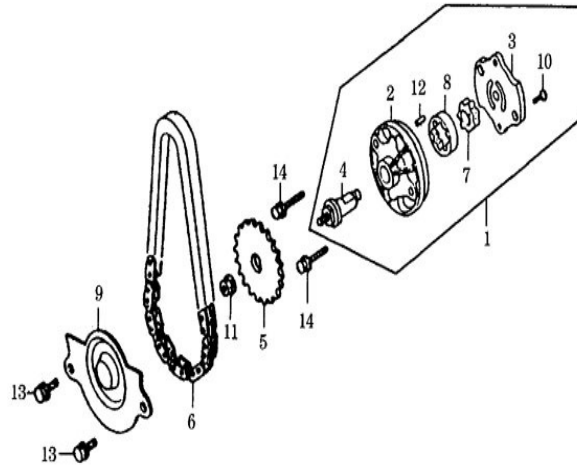
| Item | Parts no. | Description | Qty | Unit | Remark |
|------|------------------|--------------------------|-----|------|--------|
| 1 | 152.03.004 | Right Crankcase Cover | 1 | pcs | |
| 2 | 152.12.303 | Gasket, R-Cover | 1 | pcs | |
| 3 | 152.09.002 | Cover, Oil Filter Screen | 1 | pcs | |
| 4 | 152.09.003 | Oil Filter Cap | 1 | pcs | |
| 5 | 152.09.004 | Spring, Oil Filter Cap | 1 | pcs | |
| 6 | 152.12.201 | Gauge, Oil Levered | 1 | pcs | |
| 7 | 152.11.508 | Clip | 1 | pcs | |
| 8 | 152.12.101 | Oil Seal, 19.8*30*5 | 1 | pcs | |
| 9 | 152.12.110 | O-Ring, 30.8*3.2 | 1 | pcs | |
| 10 | 152.12.108 | O-Ring, 18*3 | 1 | pcs | |
| 11 | 152.11.515 | Pin, 8*14 | 2 | pcs | |
| 12 | G16674.1-M6*32S | Bolt, M6*32 | 1 | pcs | |
| 13 | G16674.1-M6*95A | Bolt, M6*95 | 4 | pcs | |
| 14 | G16674.1-M6*100A | Bolt, M6*100 | 1 | pcs | |
| 15 | G16674.1-M6*110A | Bolt, M6*110 | 2 | pcs | |
| 16 | G16674.1-M6*40S | Bolt, M6*40 | 1 | pcs | |
| 17 | 152.12.202 | Gauge, Oil Levered Assy | 1 | pcs | |

GY6 ENGINE
08 Generator



| Item | Parts no. | Description | Qty | Unit | Remark |
|------|-----------------|-------------------|-----|------|---------------|
| 1 | 152.05.001 | Cooling Fan Comp | 1 | pcs | |
| 2 | 152.07.100 | Generator Assy | 1 | pcs | Normal socket |
| 3 | 152.07.101 | Rotor, Generator | 1 | pcs | |
| 4 | 152.07.102 | Stator, Generator | 1 | pcs | Normal socket |
| 5 | G5783-M5*12A | Bolt, M5*12 | 2 | pcs | |
| 6 | G6187-M12*1.25A | Nut, M12*1.25 | 1 | pcs | |
| 7 | G16674.1-M6*18A | Bolt, M6*18 | 4 | pcs | |
| 8 | G16674.1-M6*20A | Bolt, M6*20 | 2 | pcs | |

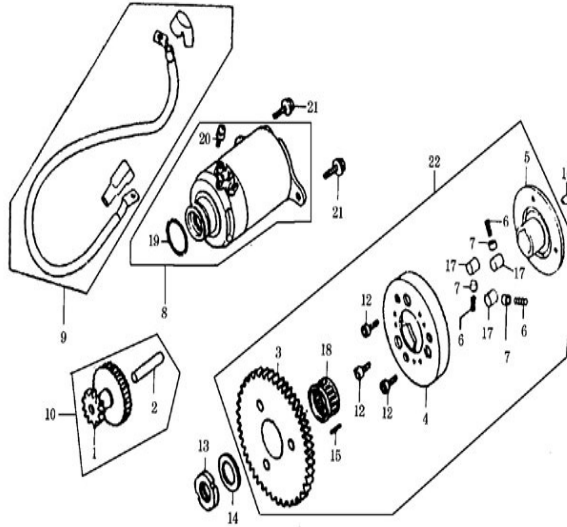
GY6 ENGINE
09 Oil Pump



| Item | Parts no. | Description | Qty | Unit | Remark |
|------|-----------------|---------------------------|-----|------|-------------------------------|
| 1 | 152.09.100 | Oil Pump Assy | 1 | pcs | |
| 2 | 152.09.101 | Body, Oil Pump | 1 | pcs | Cannot be sourced separately. |
| 3 | 152.09.102 | Plate, Oil Pump | 1 | pcs | |
| 4 | 152.09.103 | Shaft, Oil Pump | 1 | pcs | |
| 5 | 152.09.005 | Driven Sprocket, Oil Pump | 1 | pcs | |
| 6 | 152.09.200 | Chain, Oil Pump | 1 | pcs | 44Links |
| 7 | 152.09.104 | Rotor, Oil Pump, Inner | 1 | pcs | Cannot be sourced separately. |
| 8 | 152.09.105 | Rotor, Oil Pump, Outer | 1 | pcs | |
| 9 | 152.09.001 | Oil Separator | 1 | pcs | |
| 10 | G818-M3*10A | Screw, M3*10 | 1 | pcs | |
| 11 | G6177-M6A | Nut, M6 | 1 | pcs | |
| 12 | 152.09.107 | Pin, 4*6.5 | 1 | pcs | Cannot be sourced separately. |
| 13 | G16674.1-M6*12A | Bolt, M6*12 | 2 | set | |
| 14 | G16674.1-M6*25A | Bolt, M6*25 | 2 | set | |

GY6 ENGINE

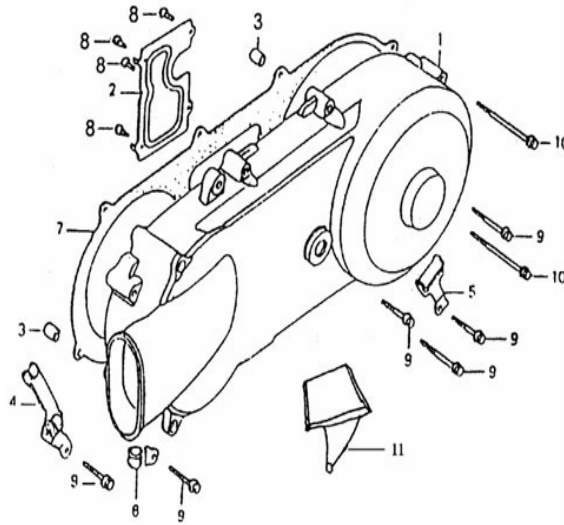
10 Starter Motor



| Item | Parts no. | Description | Qty | Unit | Remark |
|------|-----------------|------------------------------------|-----|------|--------|
| 1 | 152.06.201 | Speed-down Gear, Starter | 1 | pcs | |
| 2 | 152.06.202 | Shaft, Starter Reduction Gear | 1 | pcs | |
| 3 | 152.06.301 | Gear Comp, Starting Clutch | 1 | pcs | 125CC |
| 4 | 152.06.302 | Outer Comp, Starting Clutch | 1 | pcs | 125CC |
| 5 | 152.06.303 | Flange, Starting Clutch | 1 | pcs | 125CC |
| 6 | 152.06.304 | Spring, Starting Clutch Roller | 3 | pcs | 125CC |
| 7 | 152.06.305 | Cap, Starting Clutch Roller Spring | 3 | pcs | 125CC |
| 8 | 152.07.500 | Starter Motor Assy | 1 | pcs | |
| 9 | 152.07.501 | Cable, Starter Motor | 1 | pcs | |
| 10 | 152.06.200 | Join Gear Comp | 1 | pcs | |
| 12 | G70.1-M6*12A | Bolt, M6*12 | 3 | pcs | |
| 13 | 152.06.309 | Nut, M22*1 | 1 | pcs | |
| 14 | 152.06.310 | Washer, 22*31*2.5 | 1 | pcs | |
| 15 | 152.06.306 | Pin, 5*6 | 1 | pcs | |
| 16 | 152.06.311 | Key, Woodruff | 1 | pcs | |
| 17 | 152.06.307 | Roller, 10*10 | 3 | pcs | 125CC |
| 18 | 152.06.308 | Bearing, Needle 28*32*17 | 1 | pcs | 125CC |
| 19 | 152.07.502 | O-Ring | 1 | pcs | |
| 20 | G818-M5*8A | Screw, M5*8 | 1 | pcs | |
| 21 | G16674.1-M6*16S | Bolt, M6*16 | 2 | pcs | |
| 22 | 152.06.300 | 125#Surpass Clutch Assy | 1 | set | |
| 22.1 | 157.06.300 | 150# Ball Bearing Clutch Assy | 1 | set | |

GY6 ENGINE

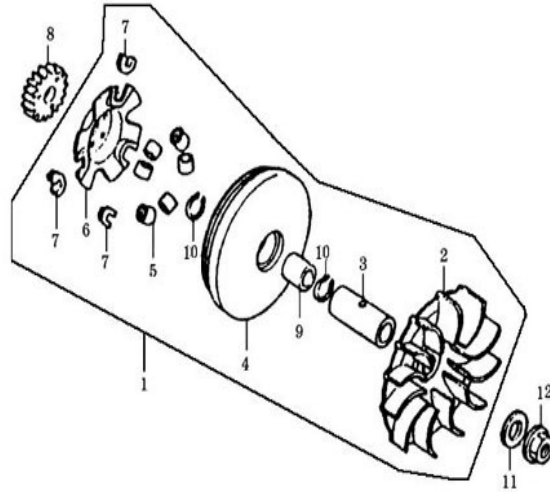
11 Left Crankcase Cover



| Item | Parts no. | Description | Qty | Unit | Remark |
|------|-----------------|------------------------------|-----|------|------------------|
| 1A | 152.06.002 | Cover, L | 1 | pcs | |
| 1B | 157.06.002 | Cover, L (Extended) | 1 | pcs | Falcon / Fvision |
| 2 | 152.06.003 | Plate, L. Cover | 1 | pcs | |
| 3 | 152.06.004 | Pin, 8*14 | 2 | pcs | |
| 4 | 152.06.100 | Clamper, Throttle Cable | 1 | pcs | |
| 5 | 152.11.301 | Clamper, Brake Cable | 1 | pcs | |
| 6 | 152.11.402 | Clamper, Breather Drain Tube | 1 | pcs | |
| 7A | 152.06.007 | Gasket, L-Cover | 1 | pcs | |
| 7B | 157.06.007 | Gasket, L-Cover (Extended) | 1 | pcs | Falcon / Fvision |
| 8 | G845-ST3.5*8A | Screw, ST3.5*8 | 4 | pcs | |
| 9 | G16674.1-M6*40S | Bolt, M6*40 | 6 | pcs | |
| 10 | G16674.1-M6*65S | Bolt, M6*65 | 2 | pcs | |
| 11 | 152.11.302 | Main-Stand Fix Support | 1 | pcs | |
| | | | | | |

GY6 ENGINE

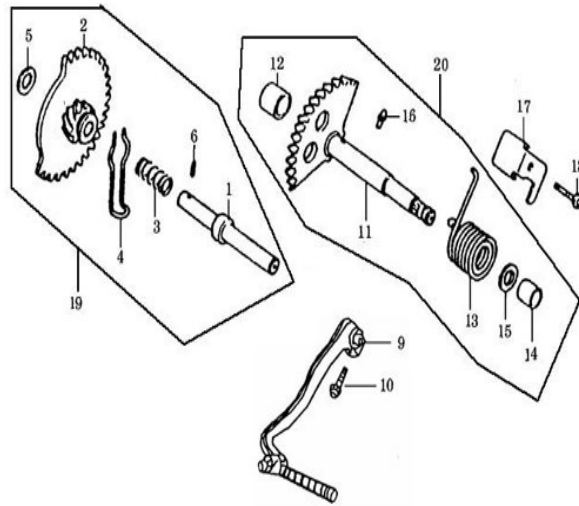
12 Flywheel



| Item | Parts no. | Description | Qty | Unit | Remark |
|------|-----------------|--------------------|-----|------|---------------|
| 1 | 152.10.100 | Flywheel Assy | 1 | pcs | |
| 2 | 152.10.101 | Drive Plank + Fan | 1 | pcs | |
| 3 | 152.10.102 | Bush, Driver | 1 | pcs | Length:51.5mm |
| 4 | 152.10.103 | Right Part, Driver | 1 | pcs | |
| 5 | 152.10.104 | Roller Set, Weight | 6 | pcs | Weight:12.8g |
| 6 | 152.10.105 | Ramp Plate | 1 | pcs | |
| 7 | 152.10.106 | Piece, Ramp Plate | 3 | pcs | |
| 8 | 152.10.109 | Driven Gear | 1 | pcs | |
| 9 | 152.10.107 | Bush, 28 | 1 | pcs | |
| 10 | 152.10.108 | Clip, 28mm | 2 | pcs | |
| 11 | 152.11.401 | Washer, 12 | 1 | pcs | |
| 12 | G6177-M12*1.25A | Nut, M12*1.25 | 1 | pcs | |

GY6 ENGINE

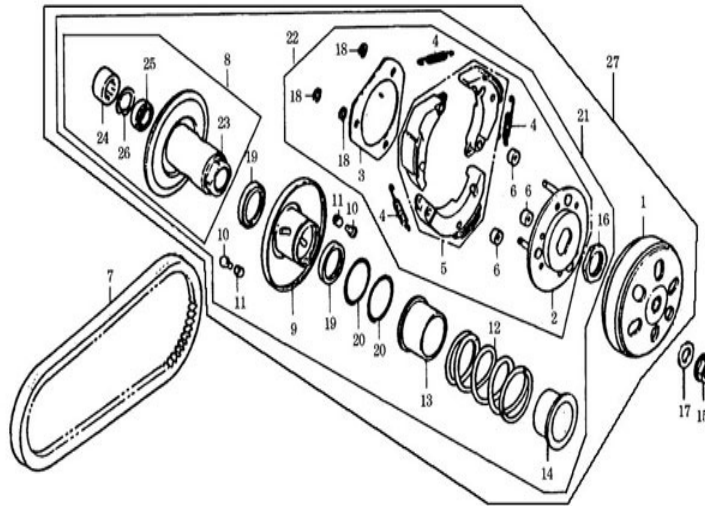
13 Gear, Starter Idle / Spindle, Kick Starter



| Item | Parts no. | Description | Qty | Unit | Remark |
|------|-----------------|------------------------------|-----|------|--------|
| 1 | 152.13.101 | Shaft, Starter Idle | 1 | pcs | |
| 2 | 152.13.102 | Starter Idle Gear | 1 | pcs | |
| 3 | 152.13.103 | Spring, Starter Idle | 1 | pcs | |
| 4 | 152.13.104 | Spring, Starter Gear Faction | 1 | pcs | |
| 5 | 152.13.105 | Washer, 12 | 1 | pcs | |
| 6 | 152.13.106 | Collar, Drive Face, 3*8.5 | 1 | pcs | |
| 9 | 152.13.301 | Arm Assy, Kick | 1 | pcs | |
| 10 | G16674.1-M6*22S | Bolt, M6*22 | 1 | pcs | |
| 11 | 152.13.201 | Kick Starter Spindle | 1 | pcs | |
| 12 | 152.13.202 | Bush, 12*16*12 | 1 | pcs | |
| 13 | 152.13.203 | Spring, Kick Starter | 1 | pcs | |
| 14 | 152.13.204 | Bush, 14*18*16 | 1 | pcs | |
| 15 | 152.13.205 | Washer, 14 | 1 | pcs | |
| 16 | 152.13.206 | Pin, 4.5mm | 1 | pcs | |
| 17 | 152.11.503 | Plate, Kick Return Stopper | 1 | pcs | |
| 18 | G16674.1-M6*14A | Bolt, M6*14 | 1 | pcs | |
| 19 | 152.13.100 | Gear Comp, Starter Idle | 1 | pcs | |
| 20 | 152.13.200 | Spindle Comp, Kick Starter | 1 | pcs | |

GY6 ENGINE

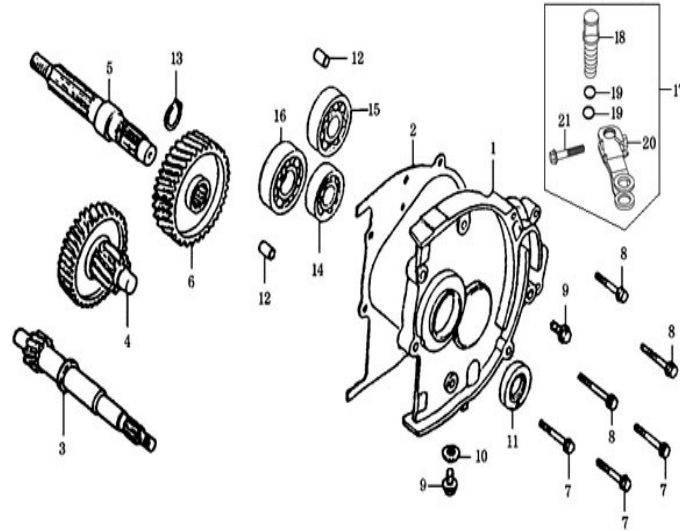
14 Driven Pulley Assy



| Item | Parts no. | Description | Qty | Unit | Remark |
|------|-----------------|----------------------------|-----|------|-------------------------------|
| 1 | 152.10.210 | Clutch Cover | 1 | pcs | |
| 2 | 152.10.601 | Plate Comp, Drive | 1 | pcs | Cannot be sourced separately. |
| 3 | 152.10.602 | Plate, Clutch Side | 1 | pcs | |
| 4 | 152.10.603 | Spring, Clutch | 3 | pcs | |
| 5 | 152.10.604 | Weight Set, Clutch | 1 | pcs | |
| 6 | 152.10.605 | Rubber, Clutch Damper | 3 | pcs | |
| 7A | 152.10.300 | Belt, Drive | 1 | pcs | |
| 8 | 152.10.400 | Face, Assy, Drive | 1 | pcs | Cannot be sourced separately. |
| 9 | 152.10.510 | Face Comp, Movable Driven | 1 | pcs | |
| 10 | 152.10.520 | Pin | 3 | pcs | |
| 11 | 152.10.530 | Roller, Guide | 3 | pcs | |
| 12 | 152.10.540 | Spring, Driven Face | 1 | pcs | |
| 13 | 152.10.550 | Collar, Seal | 1 | pcs | |
| 14 | 152.10.560 | Collar, Spring | 1 | pcs | |
| 15 | G6177-M12*1.25A | Nut, M12*1.25 | 1 | pcs | |
| 16 | 152.10.570 | Nut, M28 | 1 | pcs | |
| 17 | 152.10.230 | Washer, 12 | 1 | pcs | |
| 18 | 152.10.606 | Circlip, Ø7 | 3 | pcs | Cannot be sourced separately. |
| 19 | 152.10.580 | Seal, 34*41*4 | 2 | pcs | |
| 20 | 152.10.590 | O-Ring Pinion Cap | 2 | pcs | |
| 21 | 152.10.200 | Drive Pulley | 1 | pcs | |
| 22 | 152.10.600 | Driven Plate Assy | 1 | pcs | Cannot be sourced separately. |
| 23 | 152.10.420 | Belt Pulley | 1 | pcs | |
| 24 | 152.10.430 | Bearing Needle | 1 | pcs | |
| 25 | 152.10.440 | Bearing Ball Radial, 6902U | 1 | pcs | |
| 26 | 152.10.450 | Clip, 28mm | 1 | pcs | |
| 27 | 152.10.001 | Driven Pulley Assy | 1 | pcs | |

GY6 ENGINE

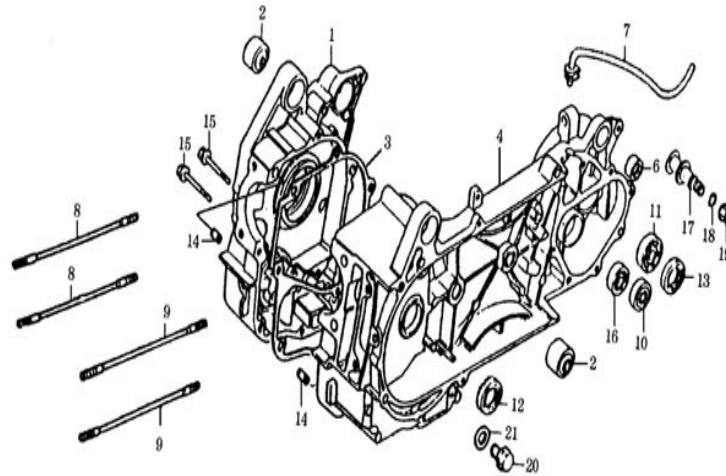
15 Transmission



| Item | Parts no. | Description | Qty | Unit | Remark |
|------|-----------------|------------------------|-----|------|-------------|
| 1 | 152.03.005 | Cover, Mission Assy | 1 | pcs | |
| 2 | 152.12.305 | Gasket, Mission Cover | 1 | pcs | |
| 3 | 152.10.401 | Shaft, Drive | 1 | pcs | 15T |
| 4 | 152.10.410 | Countershaft Comp | 1 | pcs | 42T,13T |
| 5 | 152.10.402 | Shaft, Final | 1 | pcs | Length197mm |
| 6 | 152.10.403 | Gear, Final | 1 | pcs | 40T |
| 7 | G16674.1-M6*28A | Bolt, M6*28 | 3 | pcs | |
| 8 | G16674.1-M6*35A | Bolt, M6*35 | 3 | pcs | |
| 9 | G16674.1-M8*12S | Bolt, M8*12 | 2 | pcs | |
| 10 | G97.2-8 | Washer, Φ8 | 1 | pcs | |
| 11 | 152.12.102 | Oil Seal, 20*32*6 | 1 | pcs | |
| 12 | 152.11.515 | Pin, 8*14 | 2 | pcs | |
| 13 | G894.1-20 | Circlip for Shaft, Φ20 | 1 | pcs | |
| 14 | G276-6202 | Bearing, 6202 | 1 | pcs | |
| 15 | G276-6203 | Bearing, 6203 | 1 | pcs | |
| 16 | G276-6204 | Bearing, 6204 NSK | 1 | pcs | |
| 17 | 152.14.100 | Arm Assy, Rear Brake | 1 | set | |
| 18 | 152.14.101 | Shaft, Rear Brake | 1 | pcs | |
| 19 | 152.14.102 | O-ring, 11.3*1.3 | 2 | pcs | |
| 20 | 152.14.103 | Arm, Rear Brake | 1 | pcs | |
| 21 | G16674.1-M6*35S | Bolt, M6*35 | 1 | pcs | |

GY6 ENGINE

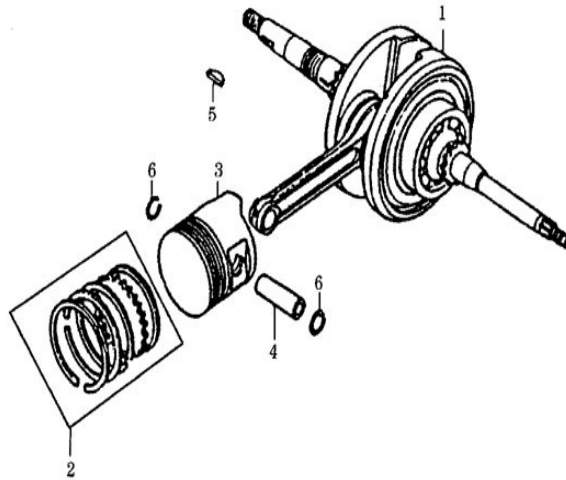
16 L & R Crankcase



| Item | Parts no. | Description | Qty | Unit | Remark |
|------|-----------------|-----------------------------|-----|------|------------------|
| 1 | 152.03.002 | R Crankcase Assy | 1 | set | |
| 2 | 152.12.114 | Bush, Engine Hanger | 2 | pcs | |
| 3 | 152.12.301 | Casket, Crankcase | 1 | pcs | |
| 4A | 152.03.001 | L Crankcase Assy | 1 | set | |
| 4B | 157.03.001 | L Crankcase Assy (Extended) | 1 | set | Falcon / Fvision |
| 6 | 152.12.115 | Bush, Shock Absorber | 1 | pcs | |
| 7 | 152.12.113 | Tube, Breather | 1 | pcs | |
| 8 | 152.11.203 | Bolt, M8*187.5 | 2 | pcs | |
| 9 | 152.11.204 | Bolt, M8*195.5 | 2 | pcs | |
| 10 | G276-6301 | Bearing, 6301 | 1 | pcs | |
| 11 | G276-6004-2RS | Bearing, 6004-2RS | 1 | pcs | |
| 12 | 152.12.101 | Oil Seal, 19.8*30*5 | 1 | pcs | |
| 13 | 152.12.103 | Oil Seal, 27*42*7 | 1 | pcs | |
| 14 | 152.11.515 | Pin, 8*14 | 2 | pcs | |
| 15 | G16674.1-M6*50A | Bolt, M6*50 | 2 | pcs | |
| 16 | G276-6002 | Bearing, 6002 | 1 | pcs | |
| 17 | 157.11.517 | Pin, Brake Shoe Anchor | 1 | pcs | |
| 18 | 152.12.105 | O-Ring, 7.5*1.5 | 1 | pcs | |
| 19 | G6187-M8A | Nut, M8 | 1 | pcs | |
| 20 | 152.11.205 | Bolt, Drain plug | 1 | pcs | |
| 21 | G97.1-12 | Washer, Φ12 | 1 | pcs | |

GY6 ENGINE

17 Crankshaft, Piston



| Item | Parts no. | Description | Qty | Unit | Remark |
|------|------------|----------------------------|-----|------|--------|
| 1 | 152.01.100 | Crankshaft Connection Assy | 1 | pcs | |
| 2A | 152.01.302 | Ring Piston Comp (125cc) | 1 | pcs | 52.4 |
| 2B | 157.01.302 | Ring Piston Comp (150cc) | 1 | pcs | 57.4 |
| 3A | 152.01.301 | Piston (125cc) | 1 | pcs | 52.4 |
| 3B | 157.01.301 | Piston (150cc) | 1 | pcs | 57.4 |
| 4A | 152.01.306 | Pin, Piston (125cc) | 1 | pcs | 41.2 |
| 4B | 157.01.306 | Pin, Piston (150cc) | 1 | pcs | 42.5 |
| 5 | 152.11.101 | Woodruff Key, 4*4*14 | 1 | pcs | |
| 6 | 152.01.307 | Clip, Piston Pin | 2 | pcs | |

GY6 ENGINE

18 Engine Assy

